



# Industrial Sliding Doors

Technical Manual: Issue 06.2008



No part of this manual may be reproduced without our permission. Copyright.

All dimensions in mm. Subject to design modifications.

# Contents



Subject	page
Double-Skinned Sliding Doors, Door Selection Guide	4
Single-Skinned Sliding Doors, Door Selection Guide	5
<b>LSP Double-Skinned Sliding Door</b>	6
Headroom Clearances LSP	7
<b>KSP/KSM Double-Skinned Sliding Doors</b> with PUR or Mineral Wool Insulation	8
Examples of Door Leaf Variations/Glazings for KSP/KSM	9
Opening Arrangements/Sideroom Clearances for KSP/KSM	10
Anchoring the Connecting Profiles for KSP/KSM on the Lock Side	11
Headroom Clearances for KSP/KSM/KSE	12
Wicket Door for KSP/KSM	13
<b>KSE Single-Skinned Sliding Door</b>	14
Examples of Door Leaf Variations/Glazings for KSE	15
Opening Arrangements/Sideroom Clearances for KSE	16
Anchoring the Connecting Profiles for KSE on the Lock Side	17
Wicket Door for KSE	18
Rain Canopies/Headroom Clearances for KSP/KSM/KSE	19

# Double-Skinned Sliding Doors

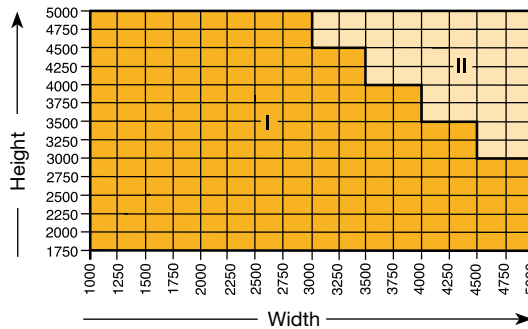
## Door Selection Guide

- Single-skinned version: The following size ranges represent the maximum applicable dimensions for single-leaf sliding doors.
- Double and multi-leaf version: Also double and multi-leaf sliding doors are manufactured within the stated size ranges. Wider doors can be supplied as multi-leaf versions, provided the maximum dimensions for the individual door leaf and the stated headroom clearances are observed.

**Size range**  
**LSP sliding door**  
 Double-skinned with  
 PUR insulation, with top track  
 Surface weight approx. 14 kg/sqm

**Headroom:**

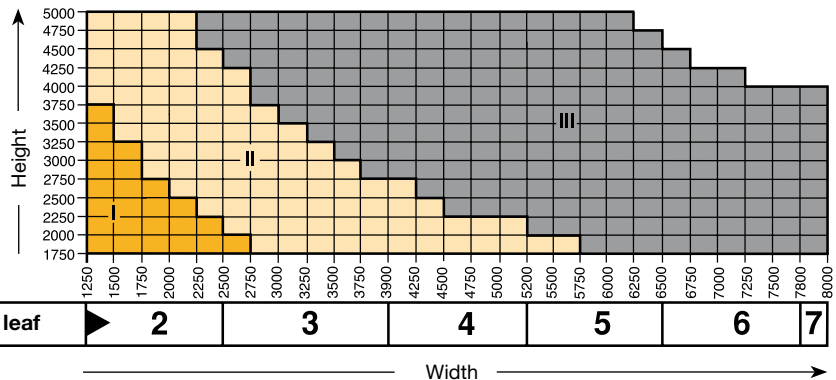
- Area I: External fitting: min. 300 mm  
Internal fitting: min. 235 mm
- Area II: External fitting: min. 300 mm  
Internal fitting: min. 260 mm



**Size range**  
**KSP sliding door**  
 Double-skinned with  
 PUR insulation, with top track  
 Surface weight approx. 25 kg/sqm

**Headroom:**

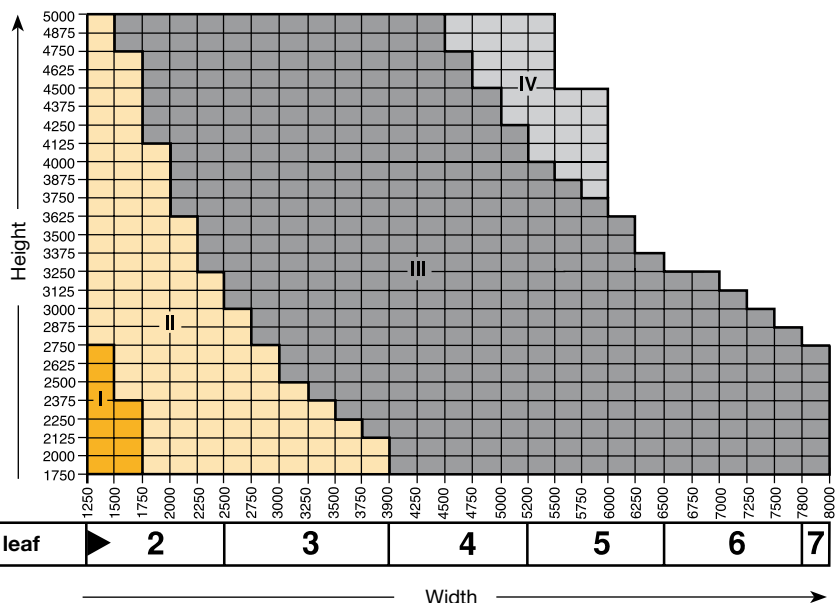
- Area I: min. 260 mm
- Area II: min. 285 mm
- Area III: min. 350 mm



**Size range**  
**KSM sliding door**  
 Double-skinned with  
 mineral wool insulation with  
 smooth finish on both sides,  
 with top track  
 Surface weight approx. 35 kg/sqm

**Headroom:**

- Area I: min. 260 mm
- Area II: min. 285 mm
- Area III: min. 350 mm
- Area IV: min. 380 mm



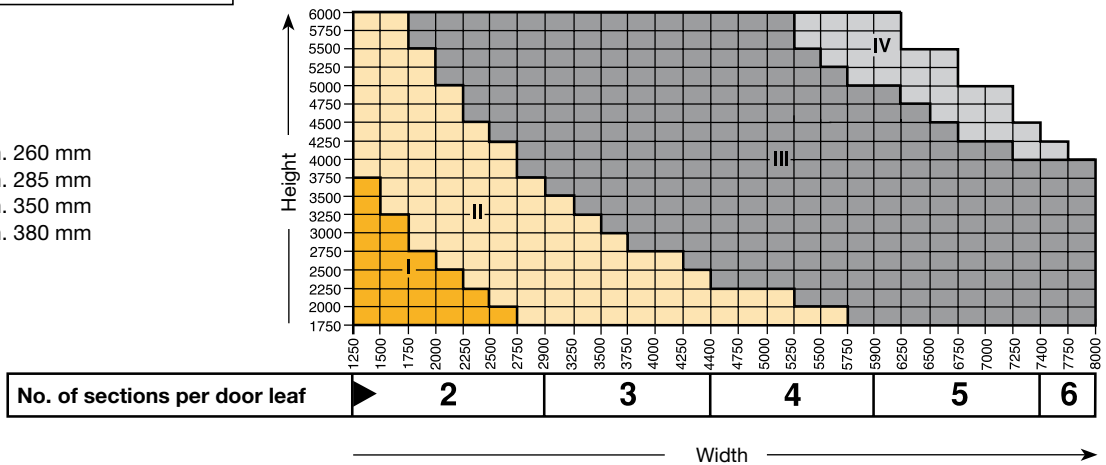
# Single-Skinned Sliding Doors Door Selection Guide



- Single-skinned version: The following size ranges represent the maximum applicable dimensions for single-leaf sliding doors.
- Double and multi-leaf version: Also double and multi-leaf sliding doors are manufactured within the stated size ranges. Wider doors can be supplied as multi-leaf versions, provided the maximum dimensions for the individual door leaf and the stated headroom clearances are observed.

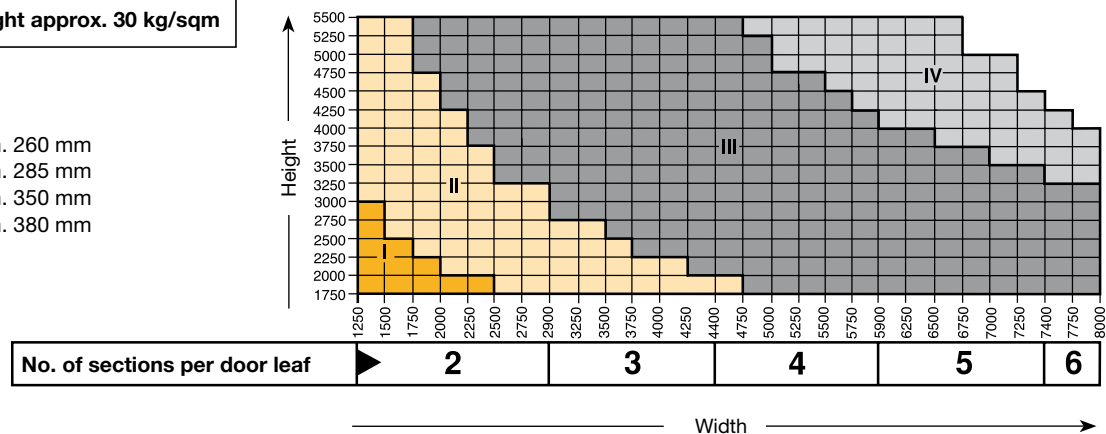
**Size range**  
**KSE sliding door**  
 Tubular construction with  
 ribbed steel infill,  
 with top track  
 Surface weight approx. 25 kg/sqm

**Headroom:**  
 Area I: min. 260 mm  
 Area II: min. 285 mm  
 Area III: min. 350 mm  
 Area IV: min. 380 mm



**Size range**  
**KSE sliding door**  
 Tubular construction with  
 other infills,  
 such as smooth or raised panel  
 sheets or glazing units,  
 with top track  
 Surface weight approx. 30 kg/sqm

**Headroom:**  
 Area I: min. 260 mm  
 Area II: min. 285 mm  
 Area III: min. 350 mm  
 Area IV: min. 380 mm

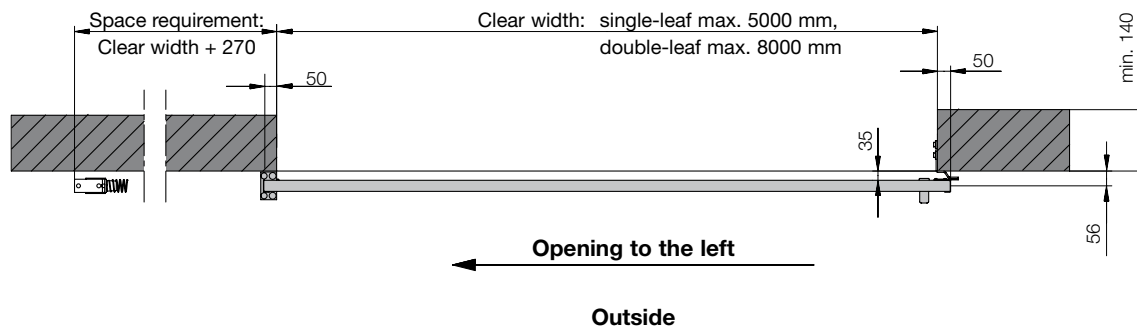
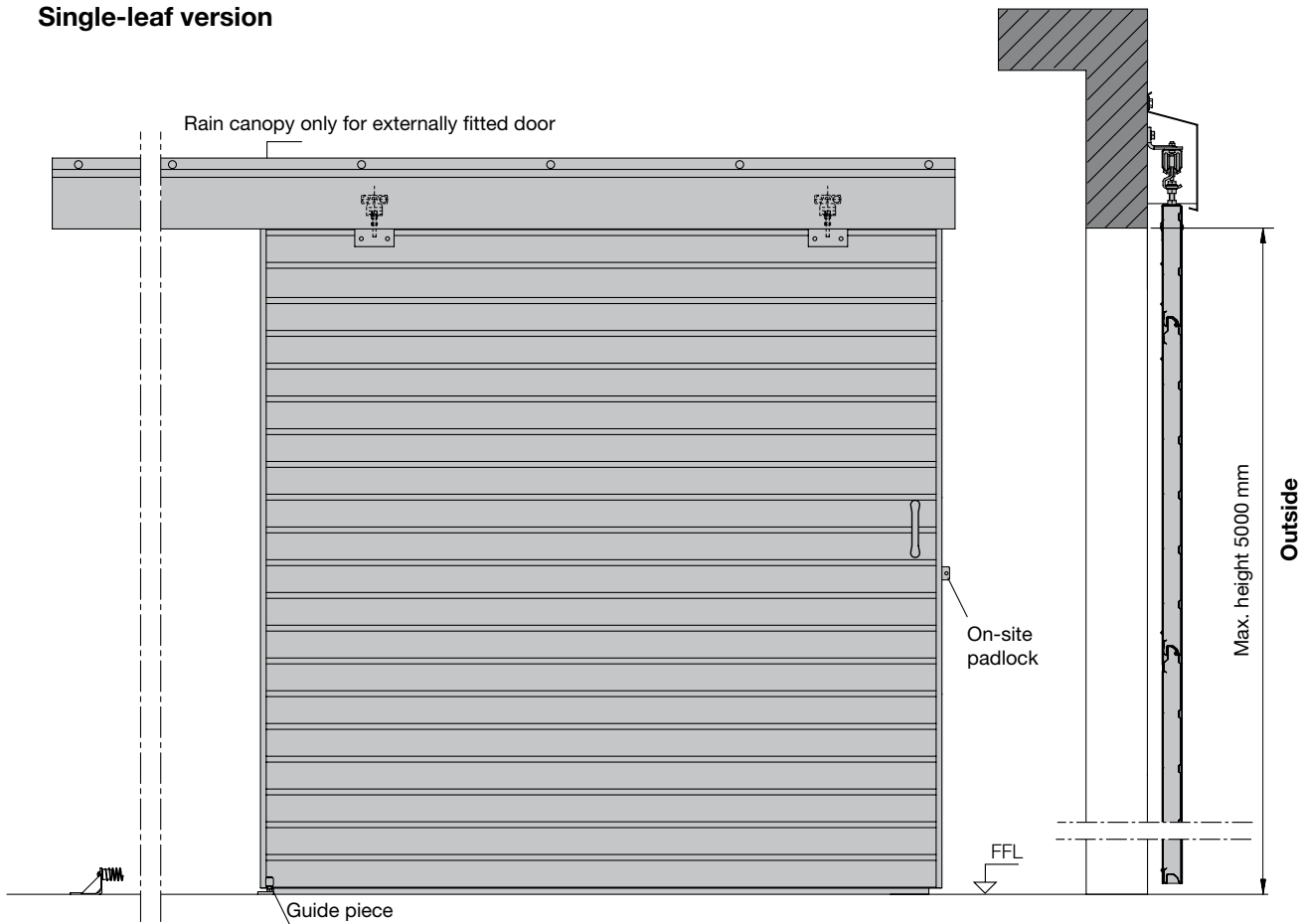


# LSP Double-Skinned Sliding Door

**Door leaf with PUR insulation approx. 42 mm thick** (stucco embossed on both sides).  
 Plastic handle on the outside, recessed handle on the inside, double guide roller at the bottom.

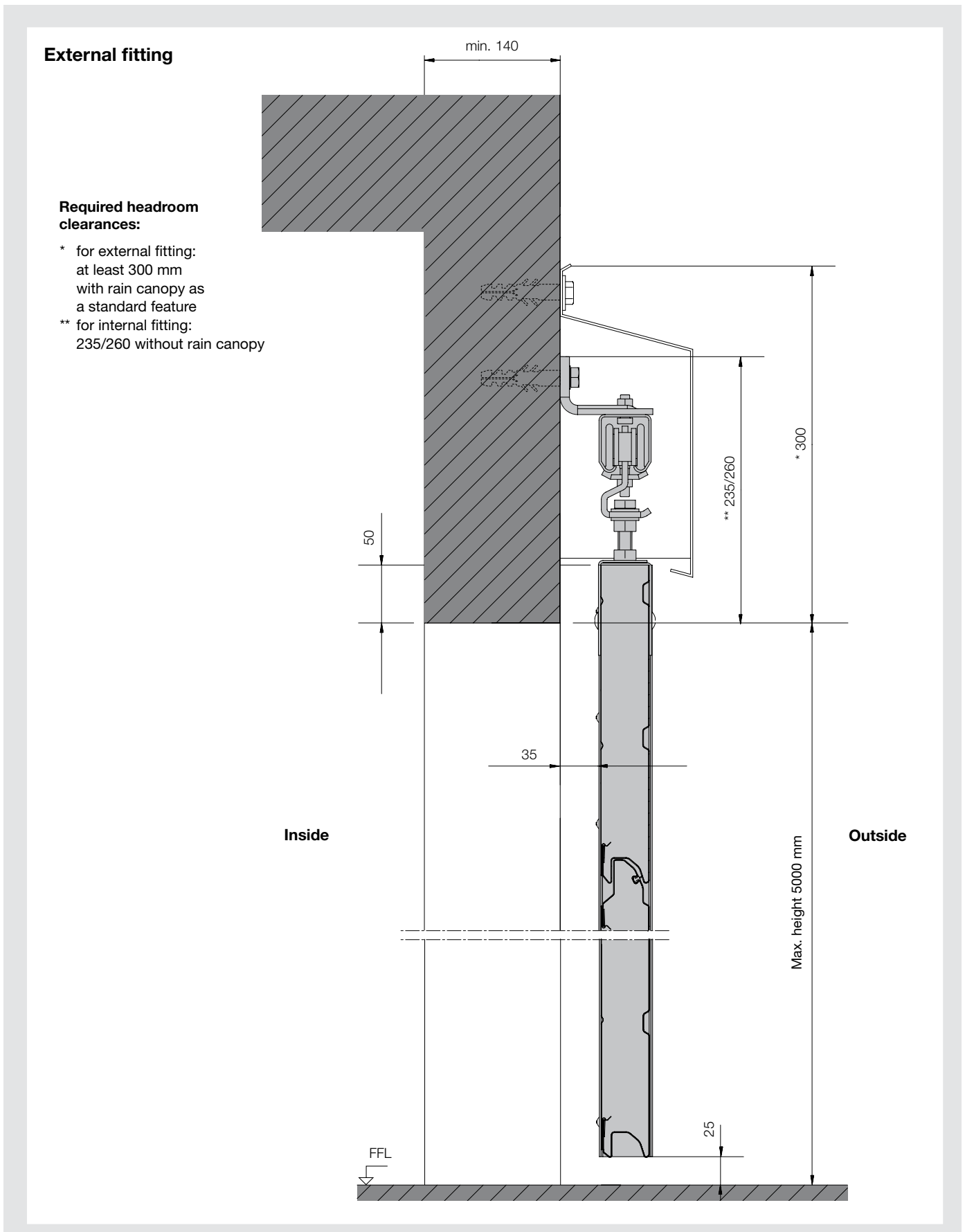
On request with compound glazing, type A. Window size 635 x 245 mm.  
 Black synthetic frame with clear synthetic double panes, 33 mm.

## Single-leaf version



The door with a distance to the wall of 35 mm without seal, is fitted internally or externally and overlaps the opening on 3 sides by 50 mm.

# Headroom Clearances for LSP



# KSP/KSM Double-Skinned Sliding Door

## KSP with PUR Insulation

## KSM with Mineral Wool Insulation

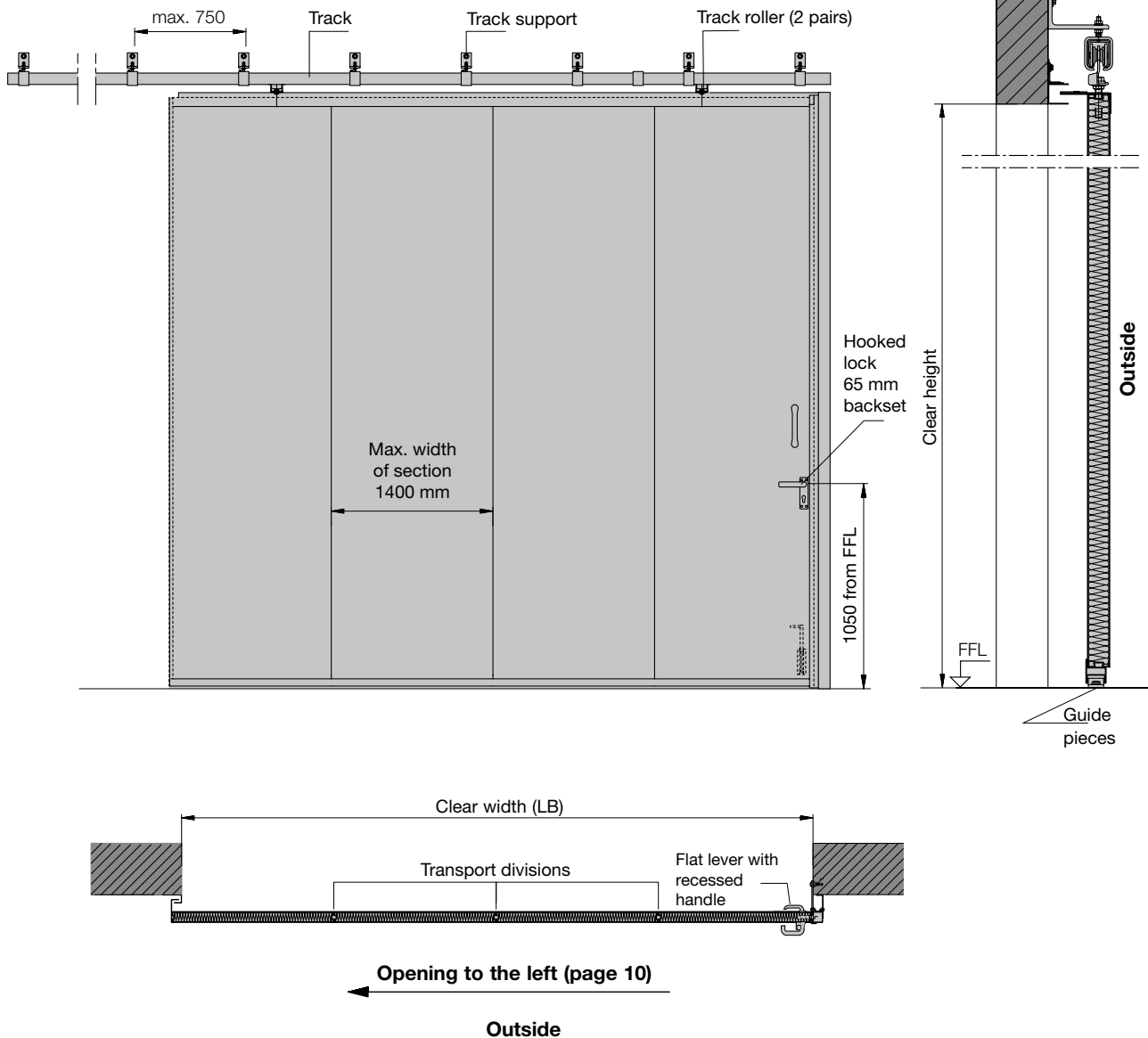
**KSP:** Door leaf with PUR insulation approx. 55 mm thick (stucco embossed steel sheets on both sides).

**KSM:** Door leaf with mineral wool insulation approx. 55 mm thick (stucco embossed 1.50 mm thick smooth steel sheets on both sides)

Door leaves with top tubular track and continuous connecting profiles to 3 sides.  
All the steel parts are hot galvanized and wet-process primed.

### Single-leaf version

### Headroom clearances (page 12)



- Note:**
- without ventilation slots
  - with ventilation slots with/without sliding covers
  - Plastering to be done after door has been fitted

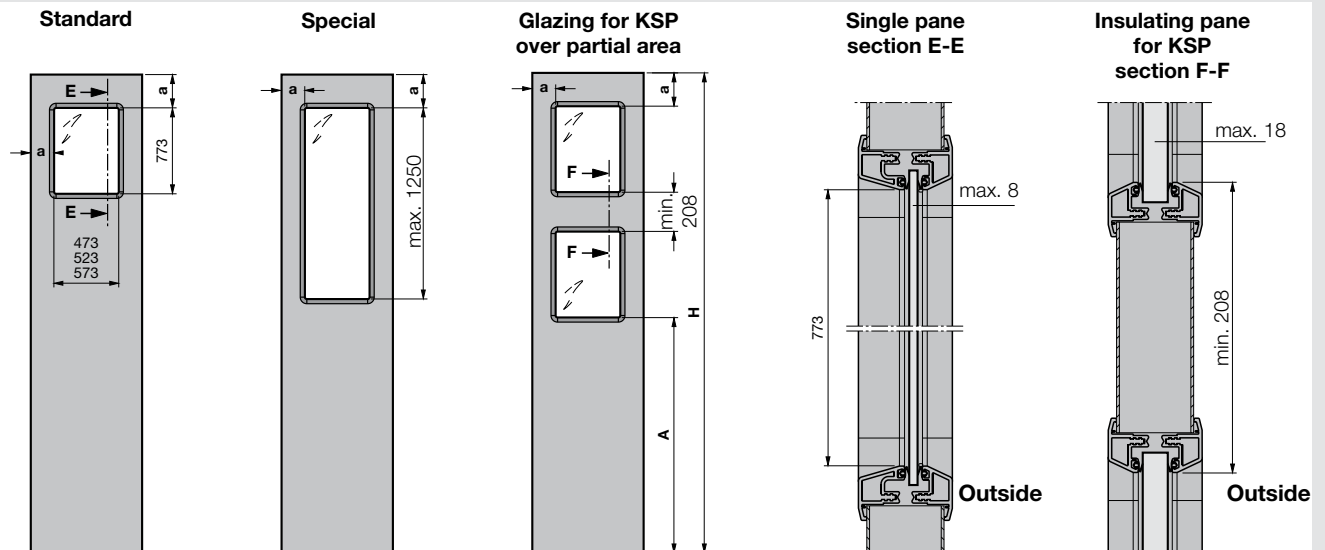


# Examples of Door Leaf Variations/Glazings for KSP/KSM



## KSP: Glazing frame with rounded corners, glazing over partial area

- Synthetic material as standard, metal on request.
- Preferably in the standard sizes (window size 473, 523, 573 mm wide, in each instance 773 mm high) incl. clear acrylic double pane or double-moulded unit.
- Site fitting of other single panes up to 8 mm or insulating panes up to 18 mm thick is possible.
- Special sizes up to max. 1250 mm high are available.



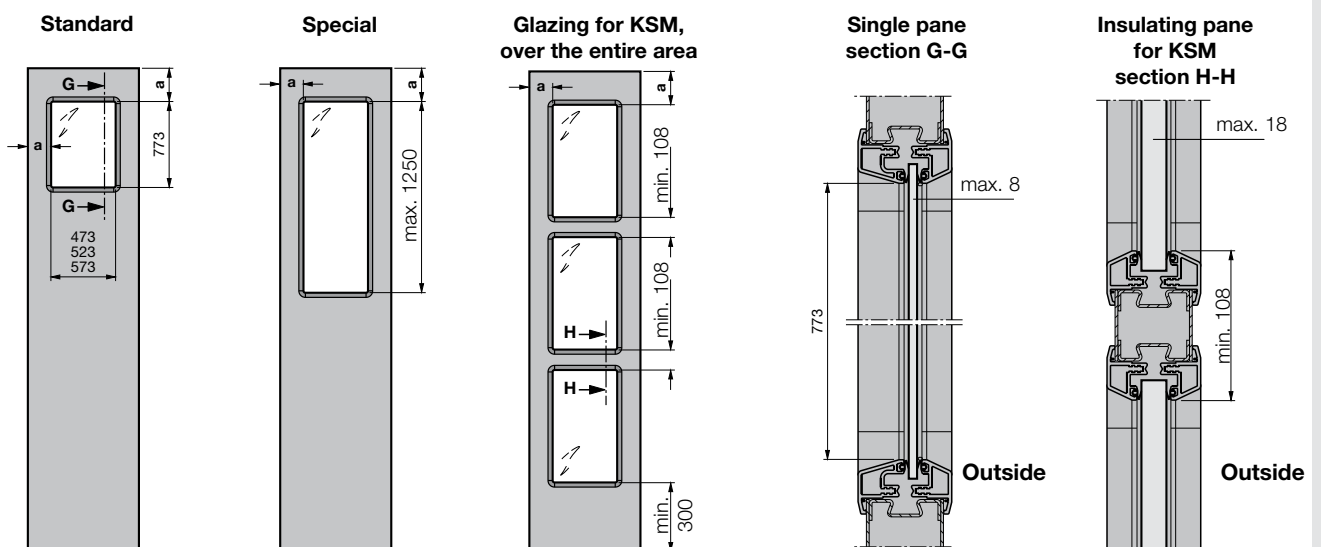
**Door leaf range A =**

- at least 1300 to **H = 3000**
- at least 1400 to **H = 3500**
- at least 1500 to **H = 4000**
- at least 1600 to **H = 4500**
- at least 1700 to **H = 5000**

**a = min. distance to edge 180**

## KSM: Glazing frame with rounded corners, glazing over entire area

- Synthetic material as standard, metal on request.
- Preferably in the standard sizes (window size 473, 523, 573 mm wide, in each instance 773 mm high) incl. clear synthetic double pane or double-moulded unit.
- Site fitting of other single panes up to 8 mm or insulating panes up to 18 mm thick is possible.
- Special sizes up to max. 1250 mm high are available.

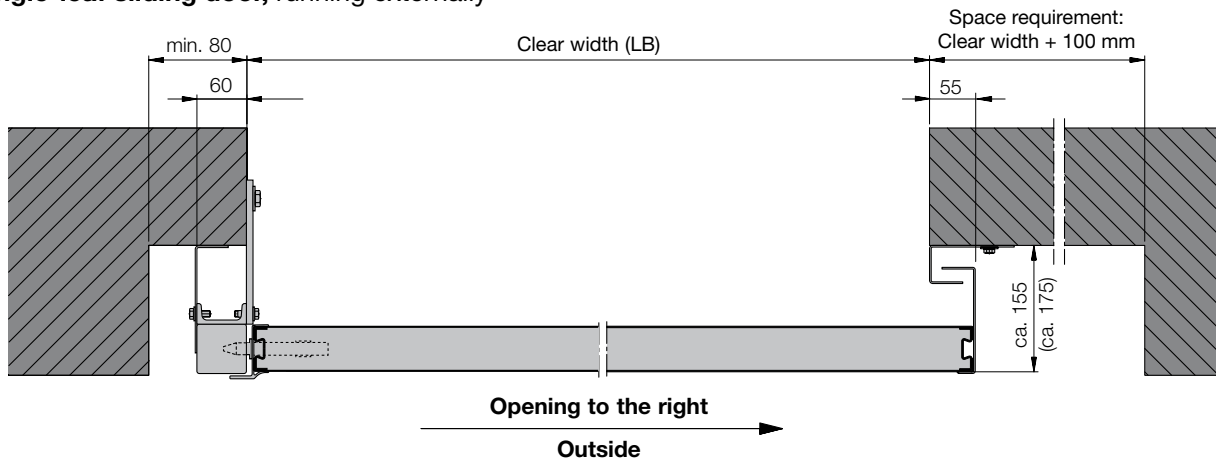


**a = min. distance to edge 180**

# Opening Arrangements/Sideroom Clearances for KSP/KSM with Formation of Connecting Profiles

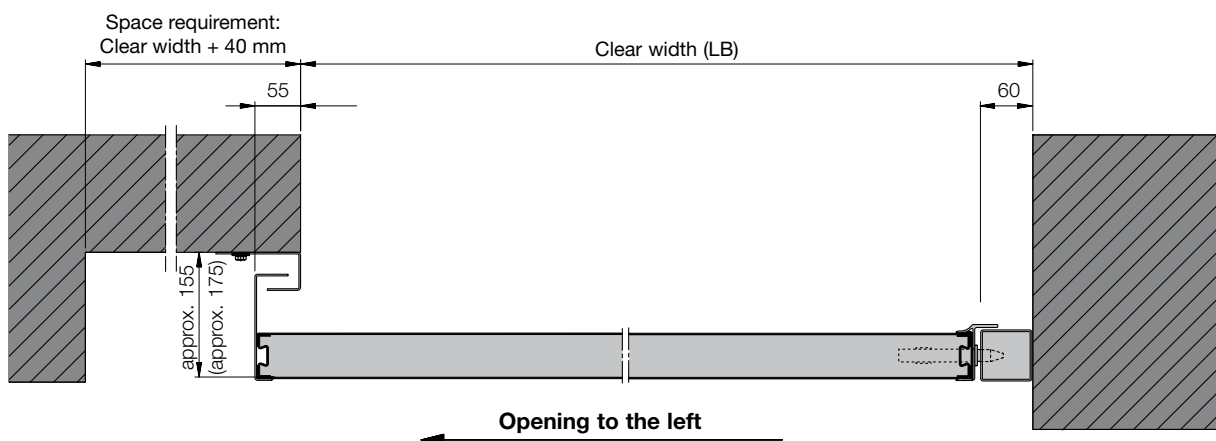
see pages 8 and 11

## Single-leaf sliding door, running externally

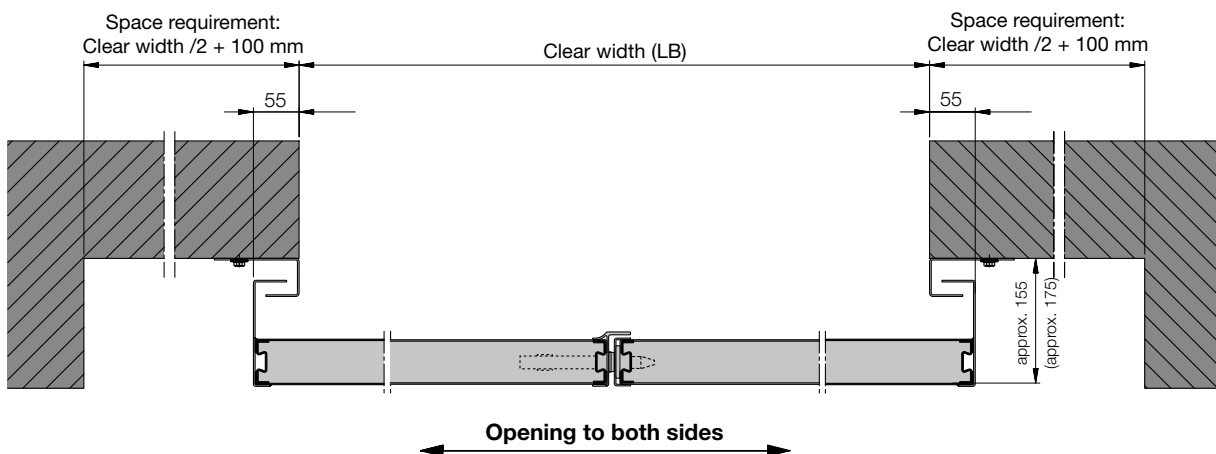


For an internally running door with a min. sideroom clearance of 160 mm, see section at top of page 11.

## Single-leaf sliding door, running internally/externally



## Double-leaf sliding door, running internally/externally

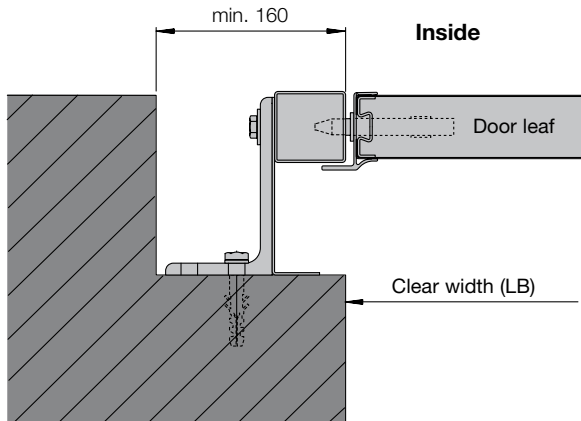


Dimensions in brackets for plastering.

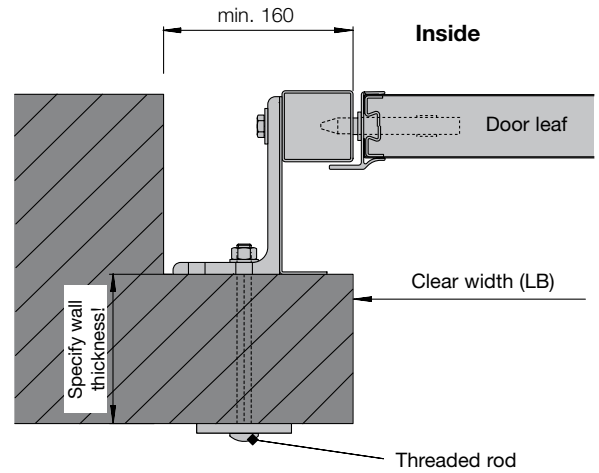
# Anchoring the Connecting Profiles for KSP/KSM on the Lock Side



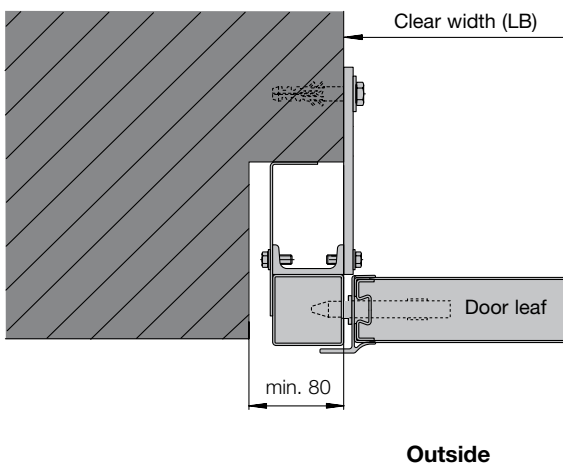
**Internal fitting / Wall plug**



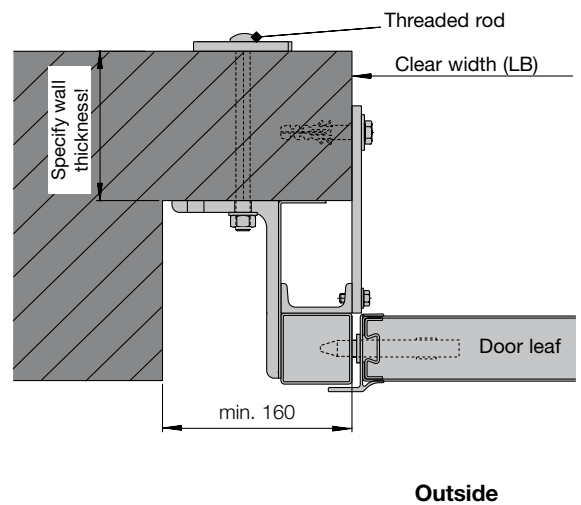
**Internal fitting / Threaded rod**



**External fitting / Wall plug**

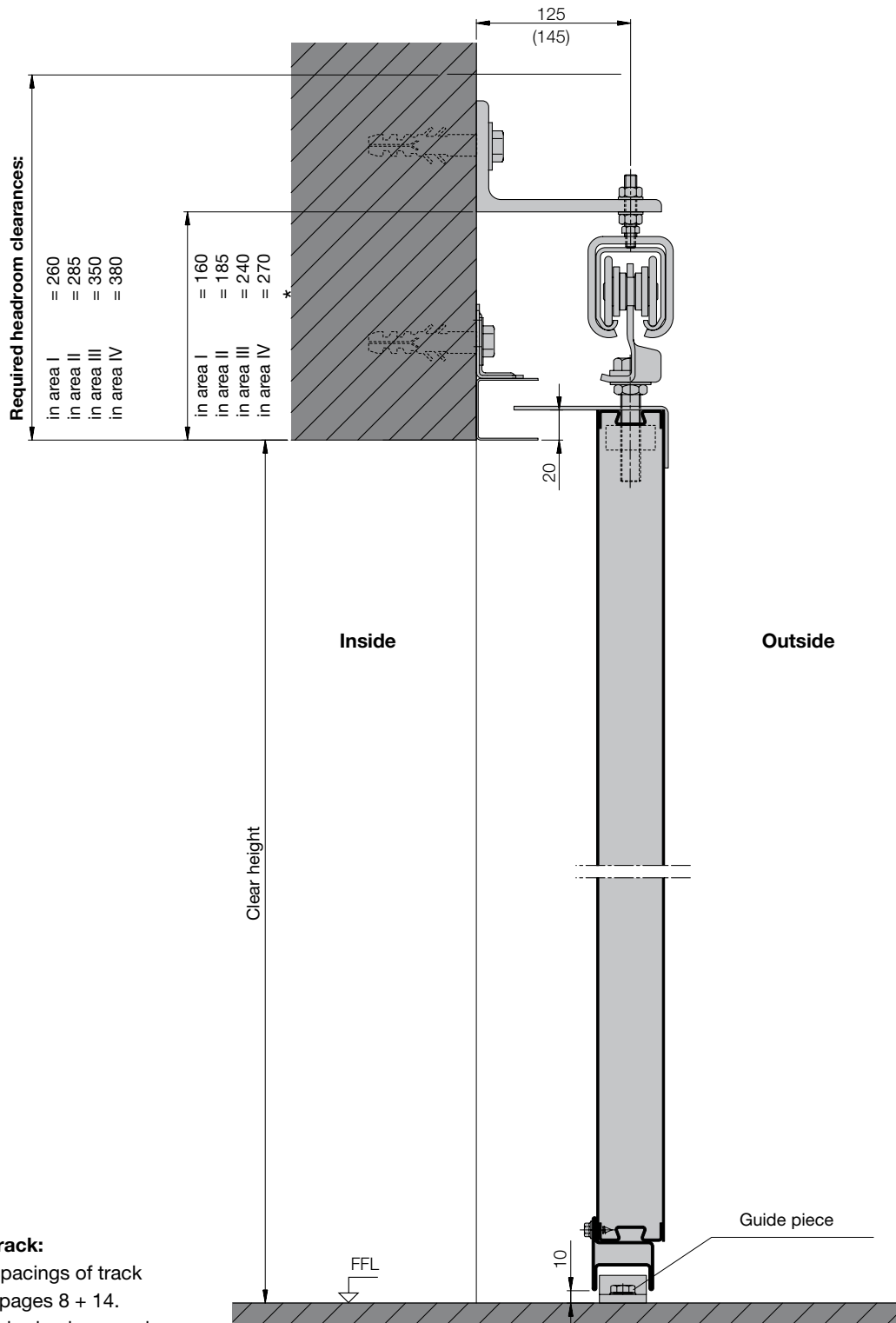


**External fitting / Threaded rod**



# Headroom Clearances for KSP/KSM/KSE with Formation of the Connecting Profiles see pages 8 and 14

## Manually operated sliding door



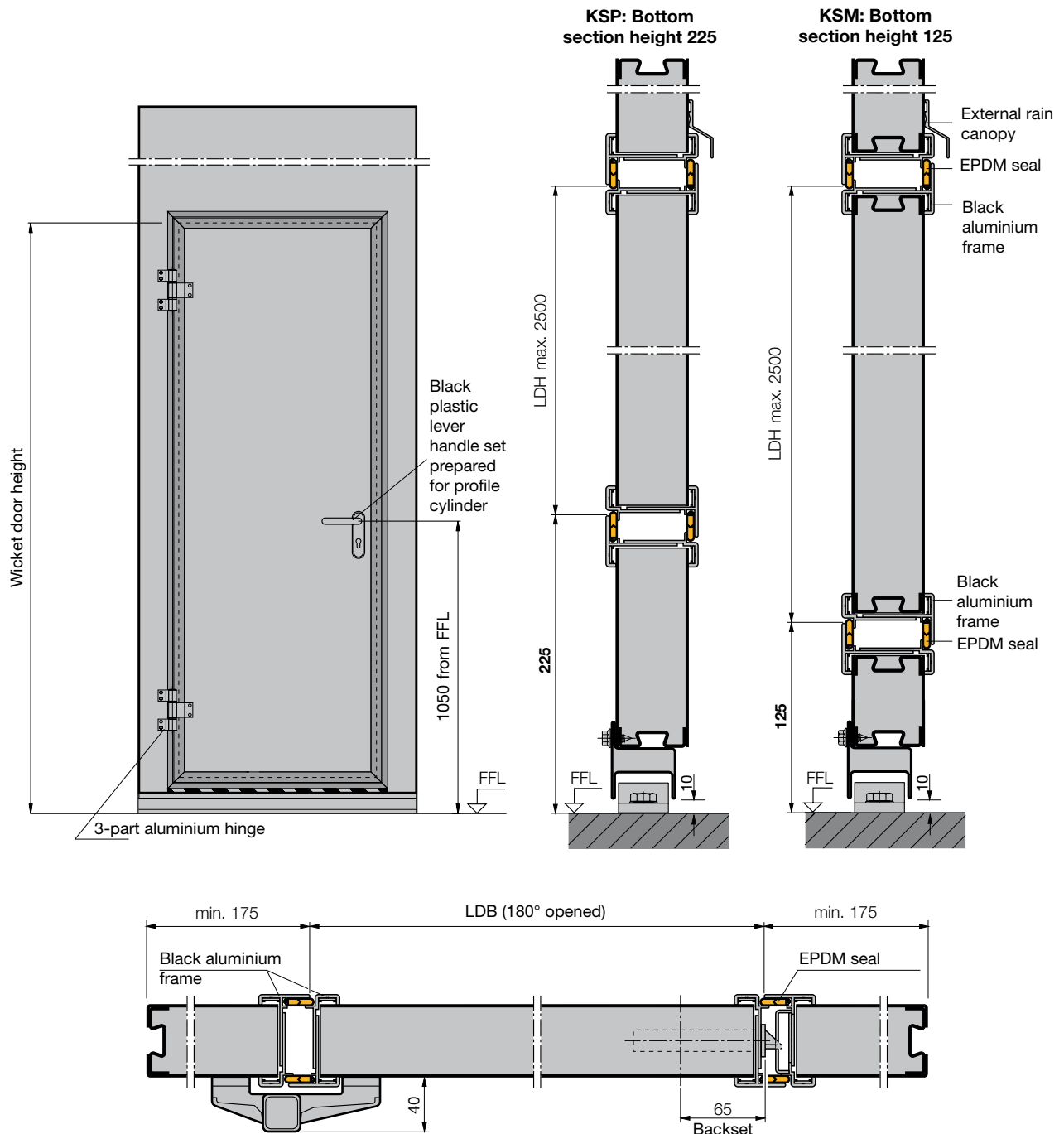
\* **Fixing the track:**  
number and spacings of track supports see pages 8 + 14.  
Method of anchoring in accordance with technical clarification.

Dimensions in brackets for plastering.

# Wicket Door for KSP/KSM



- **Wicket doors** to accommodate pedestrian traffic are available opening inwards or outwards
- Likewise an **escape door** opening outwards can be officially prescribed.
- The handing and therefore the opening direction of the wicket door must be matched to the sliding direction of the door.
- In the case of **PUR sliding doors**, it is only possible to fit a wicket door from a sliding door height of 2500 mm, whereby it should largely be the door leaf without glazing.



**Note:** The appearance of the wicket door is matched to the design of the sliding door.

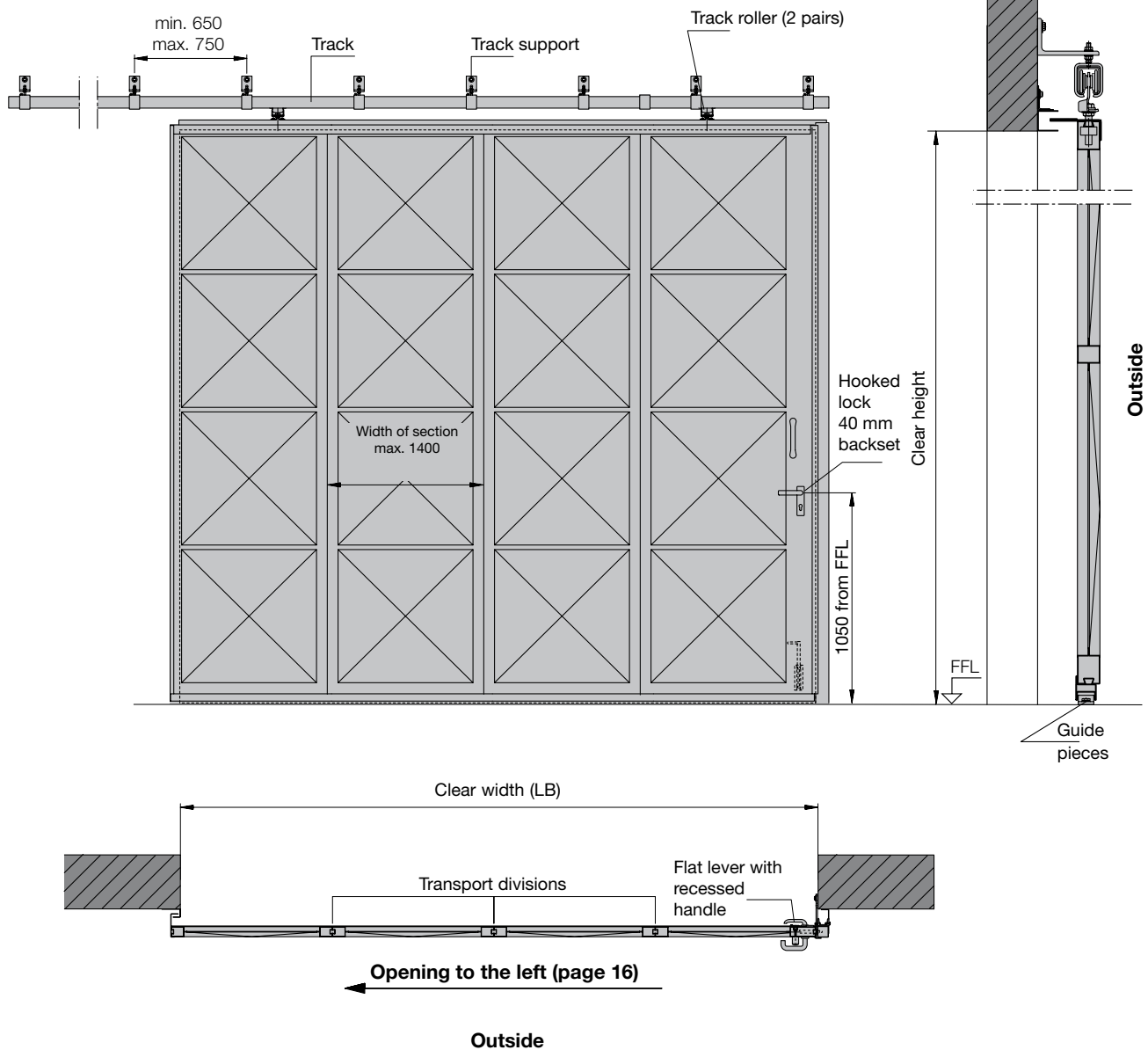
- LDB = clear passage width
- LDH = clear passage height
- OFF = Finished floor line

# KSE Single-Skinned Sliding Door

**Hot galvanized door leaves** (tubular profiles and infills) **and track**, with top tubular track system and continuous connecting profiles to 3 sides.  
All the steel components are primed in the powder-coating process.

## Single-leaf version with raised panel sheet steel infill

## Headroom clearance (page 12)

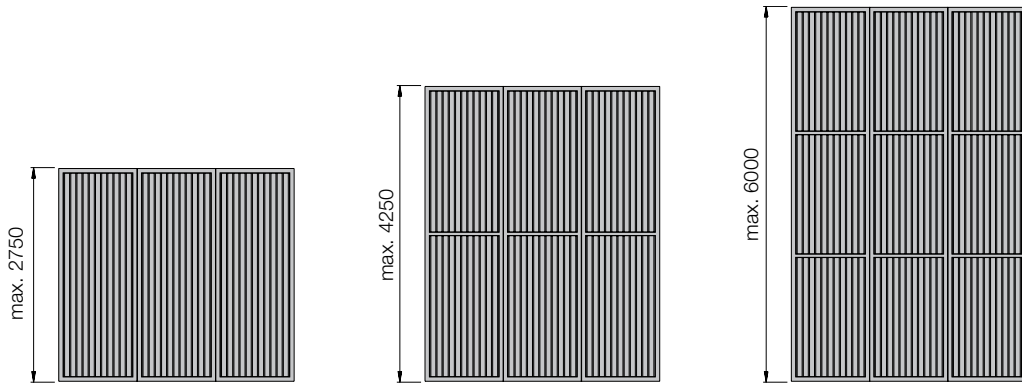


- Note:**
- With/without ventilation slots
  - Plastering to be done after door has been fitted

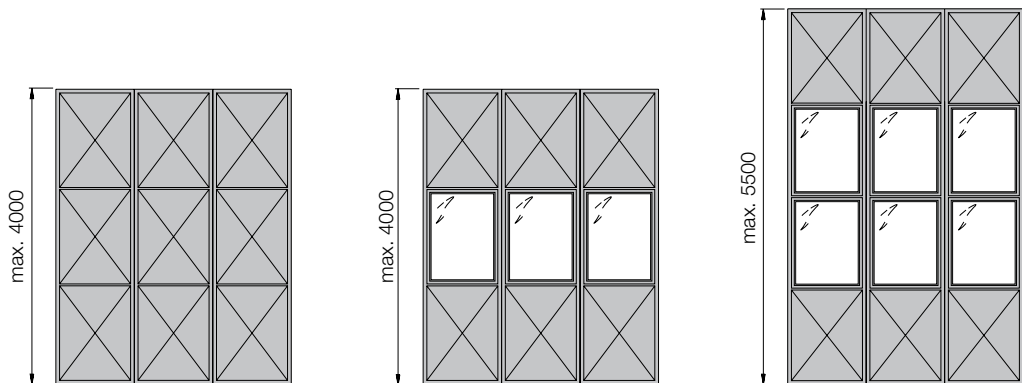
# Examples of Door Leaf Variations/ Glazings for KSE



## Ribbed steel infill

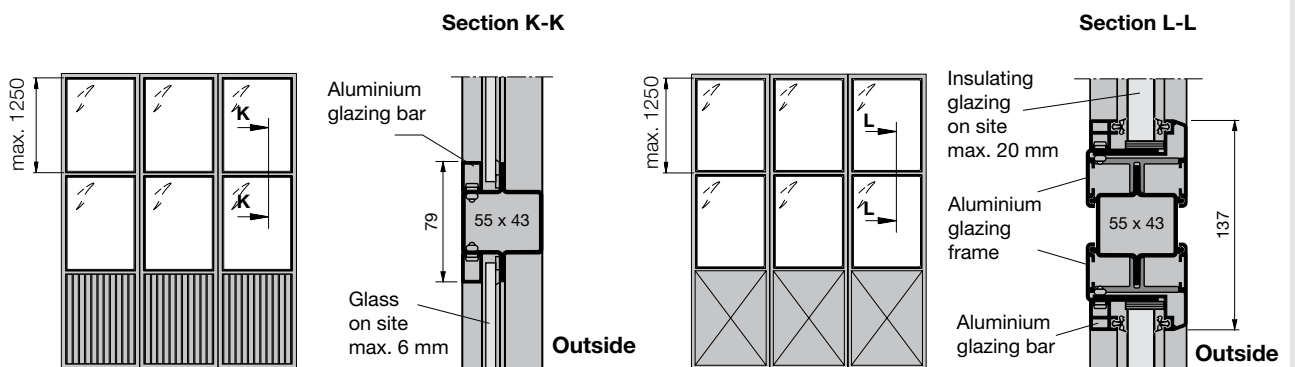


## Raised panel sheet steel infill, as near a square division as possible is recommended



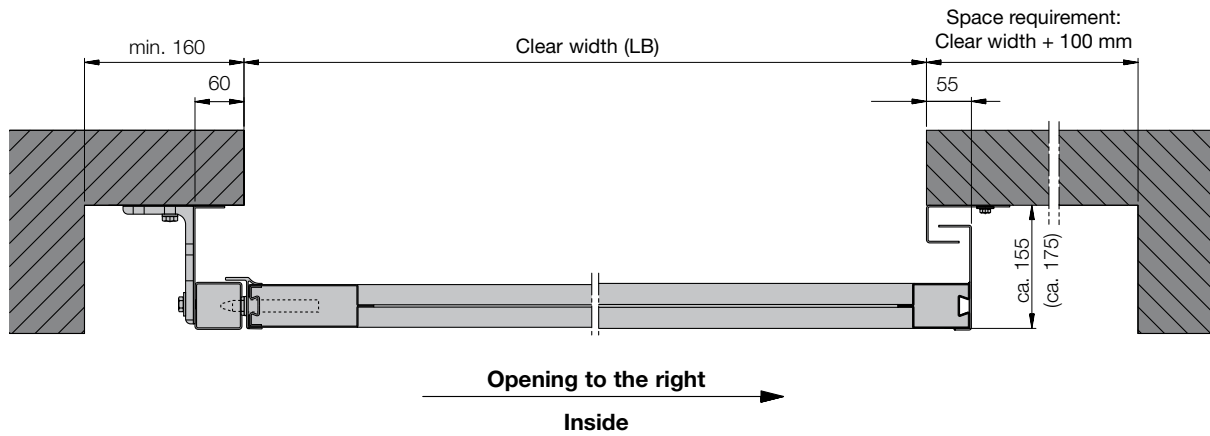
## Partial glazing with single pane

## Partial glazing with insulating pane



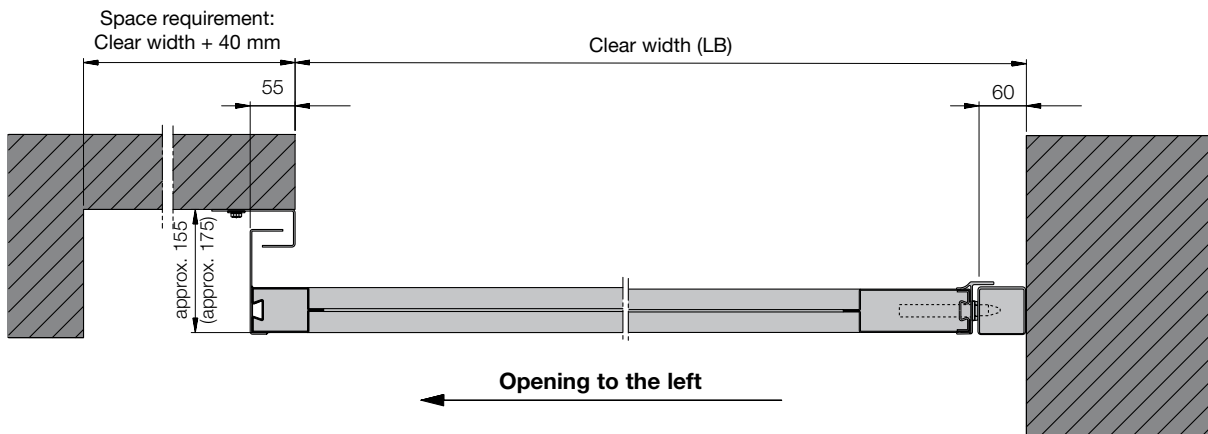
# Opening Arrangements/Sideroom Clearances for KSE with Formation of Connecting Profiles see pages 14 and 17

## Single-leaf sliding door, running internally

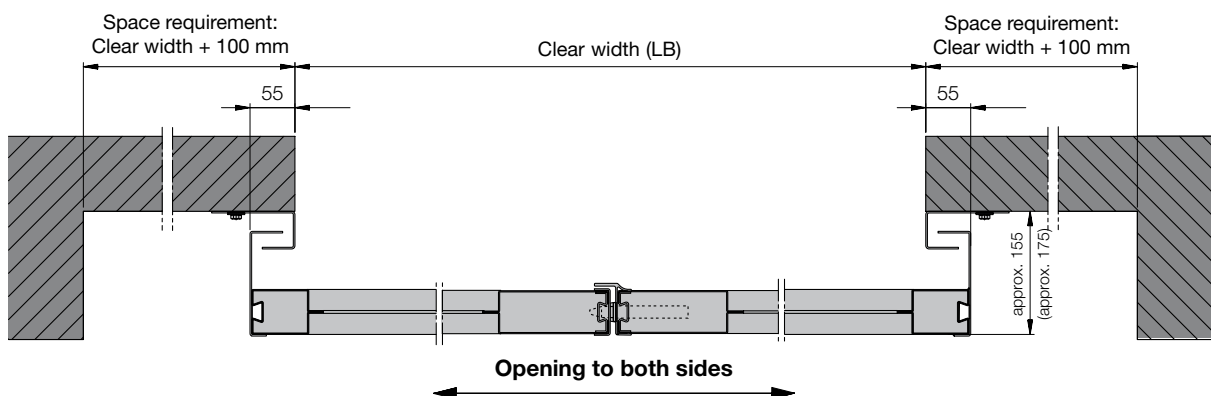


For an externally running door with a min. sideroom clearance of 160 mm, see section at bottom left of page 17

## Single-leaf sliding door, running internally/externally



## Double-leaf sliding door, running internally/externally



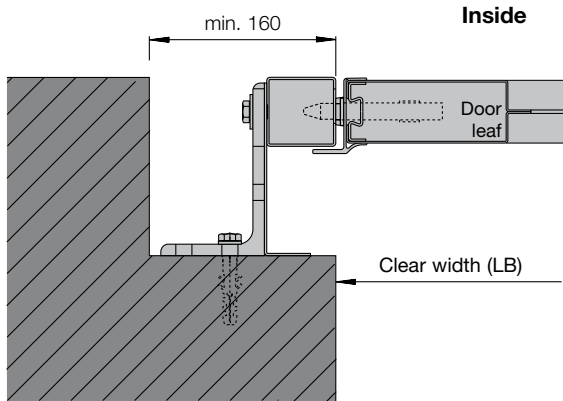
Dimensions in brackets for plastering.



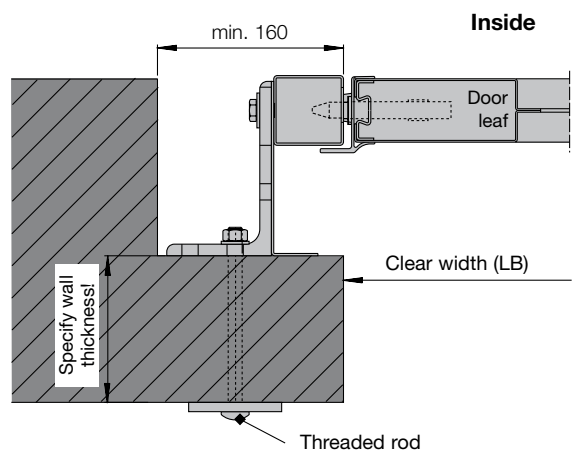
# Anchoring the Connecting Profiles for KSE on the Lock Side



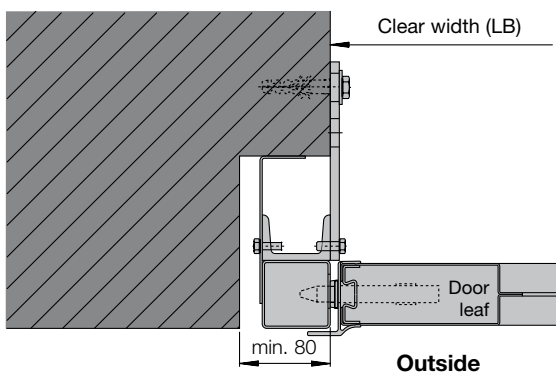
**Internal fitting / Wall plug**



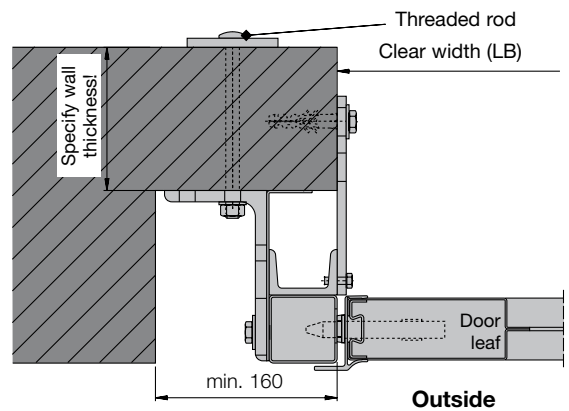
**Internal fitting / Threaded rod**



**External fitting / Wall plug**

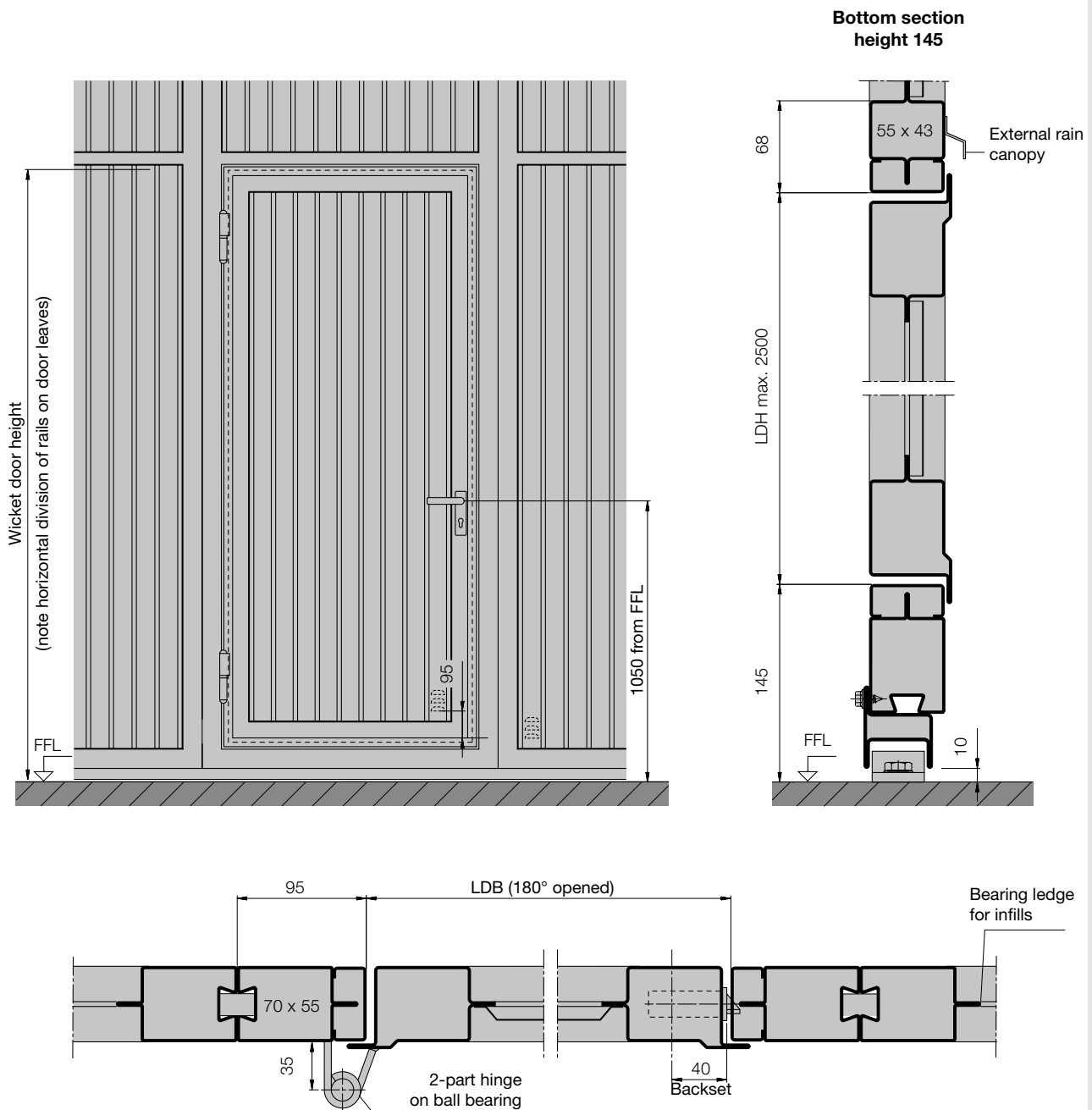


**External fitting / Threaded rod**



# Wicket Door for KSE

- **Wicket doors** to accommodate pedestrian traffic are available opening inwards or outwards
- The handing and therefore the opening direction of the wicket door must be matched to the sliding direction of the door.



**Note:** The appearance of the wicket door is matched to the design of the sliding door (here in ribbed sheet steel). In the ribbed sheet steel version, ventilation slots are only possible misaligned in the height.

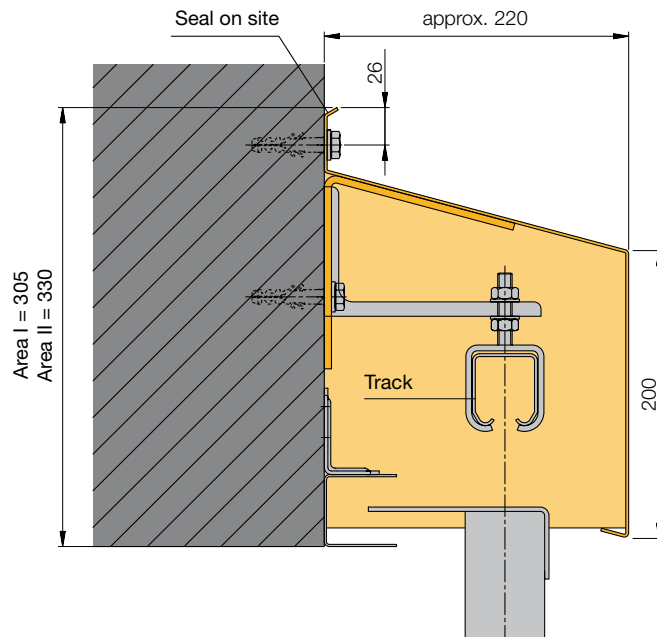
- LDB = clear passage width
- LDH = clear passage height
- FFL = Finished floor line

# Rain Canopies/Headroom Clearances for KSP/KSM/KSE

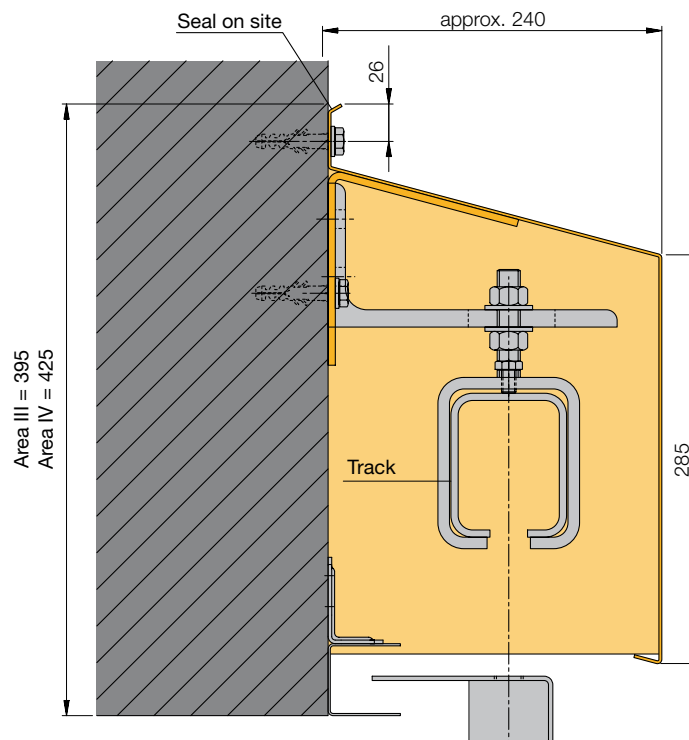


**Rain canopy** with reinforcing anchors for externally fitted sliding doors.  
Material: hot galvanized sheet steel, coated with primer.

**Rain canopy**  
for size range  
areas I and II



**Rain canopy**  
for size range  
areas III and IV



## Hörmann: Quality without compromise



Hörmann KG Amshausen



Hörmann KG Antriebstechnik



Hörmann KG Brandis



Hörmann KG Brockhagen



Hörmann KG Dissen



Hörmann KG Eckelhausen



Hörmann KG Freisen



Hörmann KG Ichttershausen



Hörmann KG Werne



Hörmann Genk NV, Belgium



Hörmann Beijing, China



Hörmann Gadco LLC, Vonore TN, USA

Hörmann is the only manufacturer worldwide that offers you a complete range of all major building products from one source.

We manufacture in highly-specialized factories using the latest production technologies.

The close-meshed network of sales and service companies throughout Europe, and activities in the USA and China, make Hörmann your strong partner for first-class building products, offering "Quality without Compromise".

**GARAGE DOORS**

**OPERATORS**

**INDUSTRIAL DOORS**

**LOADING EQUIPMENT**

**HINGED DOORS**

**DOOR FRAMES**