

## Excerpt from the planning aid

Standard fitting in the opening

### Standard version

#### 1 Horizontal view

Door frame connection to the facade wall

#### 2 Vertical view

Section transitions

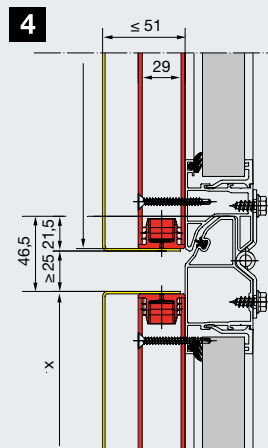
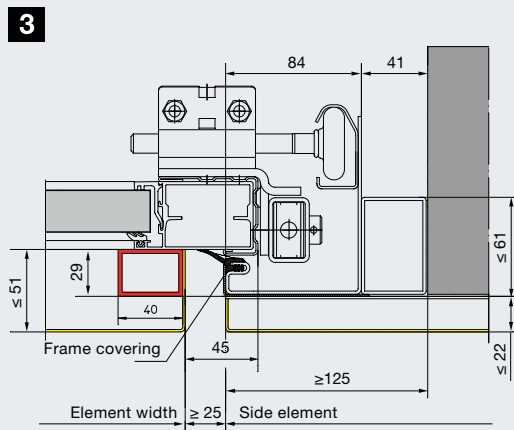
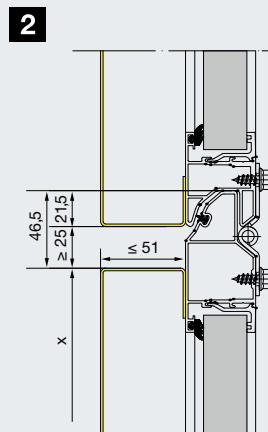
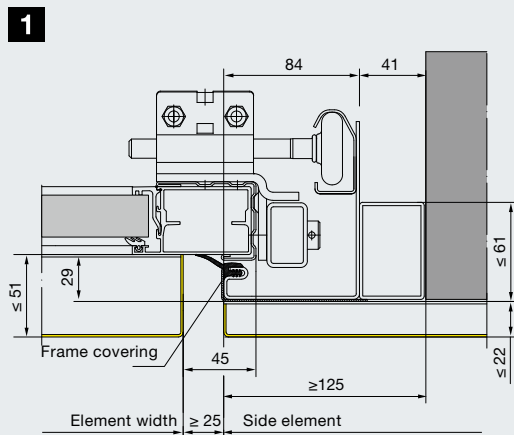
### Version with fitting profiles (red)

#### 3 Horizontal view

Door frame connection to the facade wall

#### 4 Vertical view

Section transitions



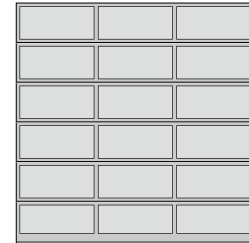
For detailed planning documents, please visit  
[http://www.hoermann.de/fileadmin/dokumentationen/anleitungen/garagen-sectionaltore/Fassadentor\\_Planungshilfen.pdf](http://www.hoermann.de/fileadmin/dokumentationen/anleitungen/garagen-sectionaltore/Fassadentor_Planungshilfen.pdf)

Colour options page 47  
 Glass types page 51  
 Safety features in acc. with EN 13241-1, page 57.  
 Technical data page 82

## Example door versions

### Door width up to 4500 mm

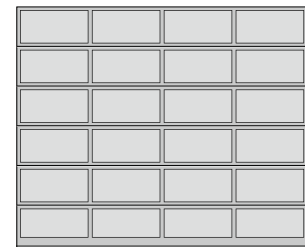
(Example 4500 × 4500 mm)



ALR F42  
uniform field division

### Door width up to 5500 mm

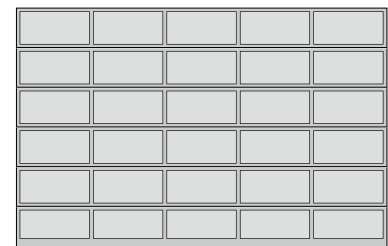
(Example 5500 × 4500 mm)



ALR F42  
uniform field division

### Door width over 5500 mm

(Example 7000 × 4500 mm)



ALR F42  
uniform field division