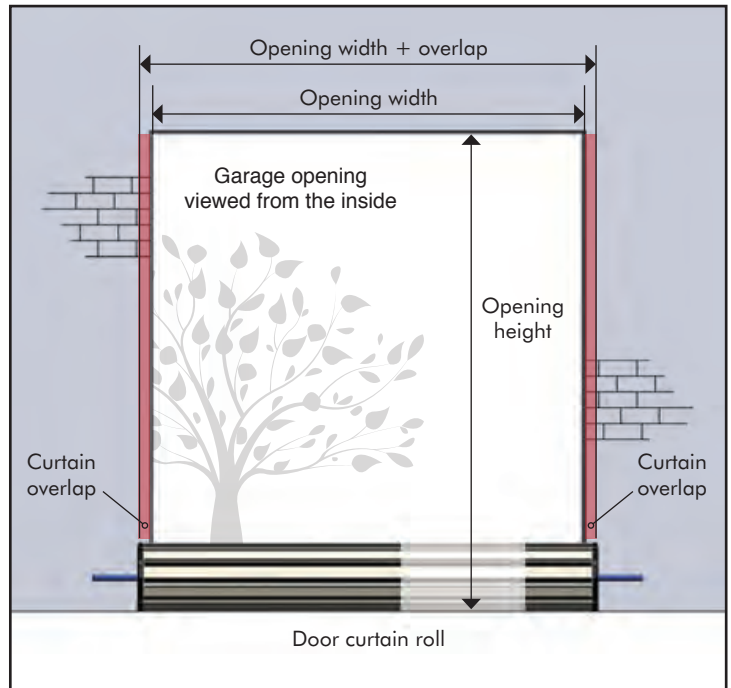
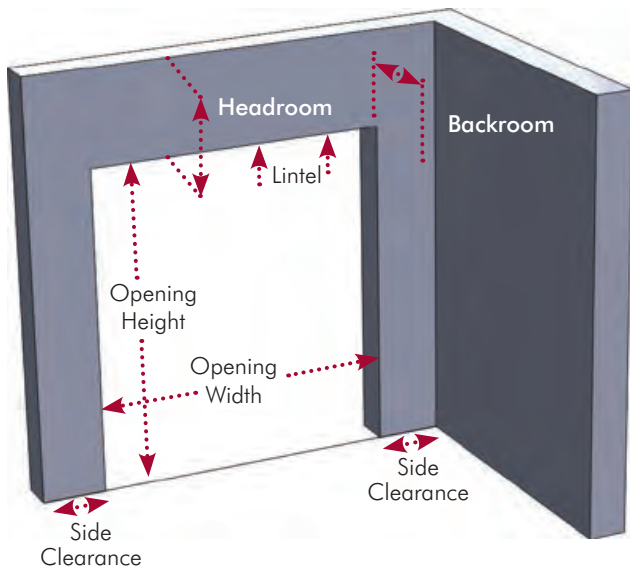




**STRUCTURAL CONDITIONS OF OPENING:**

The surface where the door is to be fitted must be flush and reasonably smooth. Small irregularities in brick work will be acceptable. The lintel must not protrude backwards or forwards from the brick piers.

**BEFORE YOU START: OPENING SIZE**



**OPENING WIDTH:**

DuraRoll garage doors fit behind the garage opening. Check that the door curtain supplied overlaps the opening width at each side by the minimum requirements:

Door curtain size	Guide size	Overlap each side	
Up to 2896mm (9'6") wide & 2438mm (8'0") high	30mm <sup>a</sup>	25mm <sup>a</sup>	✓
Over 2896mm (9'6") wide & 2438mm (8'0") high	50mm	50mm	✓

<sup>a</sup>In Ireland all door sizes are supplied with 50mm guides

**OPENING HEIGHT:**

The door will fit any opening height up to that stated on the packaging, e.g. a 2134mm high door can be fitted to a 2000mm high opening

**BEFORE YOU START: SIDE CLEARANCE**

How much room do I need at the side of the garage opening?

The door is mounted onto brackets and the brackets must be set in from the side of the garage opening by the minimum distance to the outside edge of the bracket as shown in the table below.

Doors with a motor require extra clearance on the side the motor is fitted - see table below.

To achieve the minimum side clearance you will need to cut the ends of the door axle.

Door curtain size	Guide size	Side clearance for manual doors	Side clearance for doors with a motor
-------------------	------------	---------------------------------	---------------------------------------

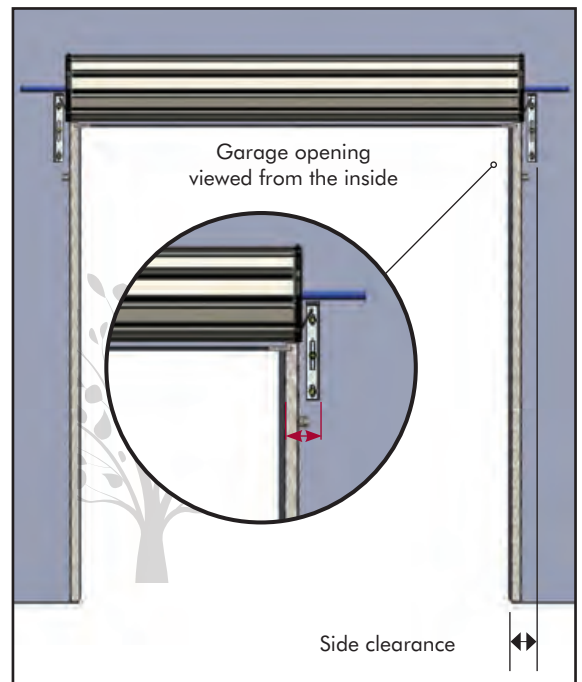
**STANDARD DOORS**

Up to 2896mm (9'6") wide & 2438mm (8'0") high	30mm <sup>a</sup>	95mm <sup>a</sup> each side	135mm <sup>a</sup> motor side 95mm non-motor side	✓
Over 2896mm (9'6") wide & 2438mm (8'0") high	50mm	120mm each side	160mm motor side 120mm non-motor side	

**MINI DOORS**

Up to 2896mm (9'6") wide	30mm <sup>a</sup>	95mm <sup>a</sup> each side	165mm <sup>a</sup> motor side 95mm non-motor side	✓
Over 2896mm (9'6") wide	50mm	120mm each side	190mm motor side 120mm non-motor side	

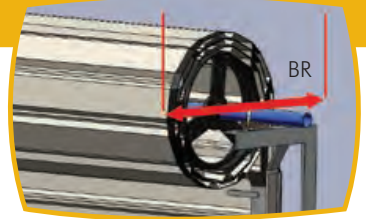
<sup>a</sup>In Ireland all door sizes are supplied with 50mm guides



## BEFORE YOU START: BACKROOM

How much room do I need behind the garage opening?

The door curtain is mounted on brackets above the garage opening and projects back into the garage. The door will require the minimum backroom as shown:



### STANDARD DOORS

Door curtain size	Guide size	Minimum backroom
All door sizes	30mm or 50mm	495mm



### MINI DOORS

Door curtain size	Guide size	Minimum backroom
All door sizes	30mm or 50mm	390mm



## BEFORE YOU START: HEADROOM

How much room do I need above the garage opening?

The door curtain is mounted on brackets above the garage opening and to allow maximum drive through height, the minimum headroom required is shown in the table below.

If insufficient headroom is available to allow the door roll to be fitted fully above the opening, the door may be fitted projecting down into the opening up to a maximum of 100mm without the need for a fascia. If the door projects down by more than 100mm a fascia (not supplied) will be required - see figure 1.

**Note:** 10mm more headroom is required to install the door than is needed to operate the door once installed. If the available headroom is right at the minimum, the bracket can be fixed 10mm lower whilst the door roll is fitted and tensioned and then tapped up by 10mm once the door is installed to give full clearance with no hangdown.

Door curtain size	Minimum headroom
-------------------	------------------

### STANDARD DOORS

Up to 2438mm (8'0") high	431mm* / 441mm**
Over 2438mm (8'0") high & up to 3048mm (10'0") high	483mm / 493mm**



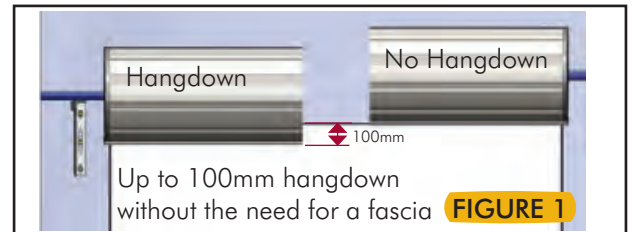
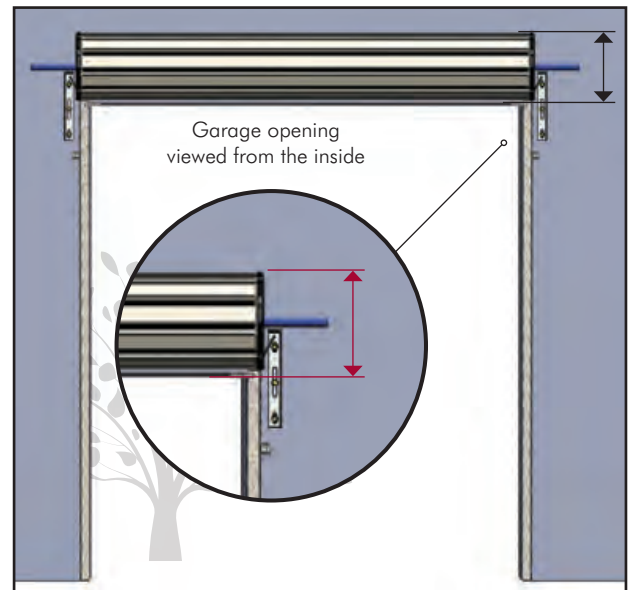
### MINI DOORS

Up to 2134mm (7'0") high	343mm* / 353mm**
--------------------------	------------------



\*The minimum headroom but will require bracket position adjustment during installation to achieve full opening height. (see page 9)

\*\*The minimum headroom that requires no bracket position adjustment during installation to achieve full opening height. (see page 9)



Up to 100mm hangdown without the need for a fascia **FIGURE 1**

## BEFORE YOU START: FITTING NOTES

**Do not remove any wrapping, or steel protective outer wrapping if fitted to your door, until instructed.**

- Door package and its contents should be checked for obvious damage before removal of protective outer wrapping (If on your door).
- The door should only be fitted after any plastering of the area has been completed. Plaster splashes will damage the pre-finish on the curtain and cause premature wear of the nyloflex within the guides.
- The door must be fitted square and level irrespective of the shape of the opening. On no account should any compensation be made to suit an irregular opening**

