



NEW
T90 steel fire and smoke protection elements



Fire-Rated Doors and Smoke-Tight Door Assemblies

Fully glazed tubular frame parts for construction projects





| | |
|---|----|
| Hörmann brand quality | 4 |
| Hörmann construction project door programme | 6 |
| Hörmann fire protection programme | 8 |
| Overview of door functions | 10 |
| <hr/> | |
| Aluminium system wall | 12 |
| F30 / F90 system wall | 13 |
| Aluminium automatic sliding door | 14 |
| T30 automatic sliding door | 16 |
| Aluminium fire and smoke protection elements | 18 |
| System overview | 19 |
| Features | 20 |
| T30 / F30 fire and smoke protection elements | 23 |
| T60 / F60 fire and smoke protection elements | 25 |
| T90 / F90 fire and smoke protection elements | 27 |
| Smoke protection elements | 28 |
| Clear passage | 30 |
| Fixed glazings | 31 |
| <hr/> | |
| Steel system wall | 34 |
| F30 system wall S-Line | 35 |
| F30 system wall N-Line | 35 |
| Steel fire and smoke protection elements S-Line / N-Line | 36 |
| System overview | 37 |
| Features | 38 |
| T30 fire and smoke protection elements S-Line | 40 |
| F30 / G30 fire and smoke protection elements S-Line | 41 |
| Smoke protection elements S-Line | 43 |
| T30 fire and smoke protection elements N-Line | 44 |
| F30 / G30 fire and smoke protection elements N-Line | 45 |
| Smoke protection elements N-Line | 47 |
| Clear passage | 48 |
| Fixed glazings | 49 |
| <hr/> | |
| T90 steel fire and smoke protection elements | 50 |
| System overview | 52 |
| Clear passage | 53 |
| Hörmann product range | 54 |

The colours and surface finishes shown are subject to the limitations of the printing process and cannot be regarded as binding.

All rights reserved. No part may be reproduced without our prior permission. Subject to changes.

Figure to the left: ThyssenKrupp Q2 canteen, Essen

Figure on cover page: Citadeles Moduli, Riga; Interior design: m-plus design, Hamburg

Hörmann brand quality

Top safety and reliability

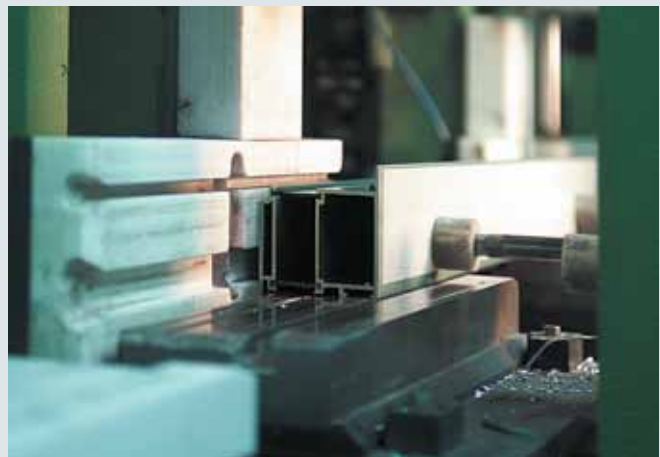


"The Squire" in Frankfurt am Main with Hörmann products



In-house product development

Growing and constantly changing functional and safety requirements necessitate continuous new construction and equipment developments and improvements, especially when it comes to moveable construction components such as doors. In this area, our qualified development teams time and again prove their great specialised expertise.



Highly sophisticated production methods

We at Hörmann rely on the latest production technology at our specialised factories. Computer-controlled operations ensure dimensionally accurate elements with perfectly fitted fittings and functional parts.



In the course of several decades, Hörmann has continuously developed its fire protection programme into today's complete range. In addition to this multifarious range of products for construction projects, Hörmann also offers individual solutions with case by case approval.

Highly-specialised factories develop and produce construction components that are marked by excellent quality, functional safety and a long service life.

Our presence in the global economy's key regions makes us a strong, future-oriented partner for industrial and public construction projects.



Fire testing at own fire test chamber

Our new and further developments are constantly tested for the required fire resistance and smoke-tightness through in-house fire tests at our fire testing centre. The knowledge gained from these tests ensures high fire protection for buildings. They also allow us to optimally prepare our innovations for the official inspections by the accredited testing centres for official approvals.



Expert building support

Experienced specialists within our customer-oriented sales organisation accompany you from the planning stage, through technical clarification up to the final building inspection.

Expert fitting is guaranteed by experienced Hörmann fitters and the specialised trained staff of Hörmann's partners.

Hörmann construction project door programme

The right solution for any requirement





Function doors

From sturdy steel internal doors and secure apartment entrance doors to fully glazed office doors up to external doors with thermal break, Hörmann offers a large programme with diverse colour and equipment variants.



Steel and stainless steel multi-function doors

Steel multi-function doors offer crucial advantages for architects and building owners: doors with different functional requirements that are fitted in the same storey match perfectly thanks to their identical look. STS/ STU steel and stainless steel doors feature a flush-fitting, elegant appearance.



Automatic sliding doors

Hörmann's AD 100 automatic sliding doors open reliably and safely in every situation. They are characterised by robustness, functional safety and sustainability. In addition, the automatic sliding doors are used in barrier-free construction and as escape route doors.



Visibility windows

Hörmann visibility glazings are used as windows or room-high elements to provide more light and better visibility. Visibility glazing is available for requirements like heat and acoustic insulation or radiation protection. All versions are offered in fire-retarding F30 and fire-resistant F90 variants. Individual solutions can be implemented using rail divisions and angles.

Figure to the left: Skyline Tower, Munich
with Hörmann products

Hörmann fire protection programme

Variety is our strength



Europe's largest fire protection programme



F30 / F90 system wall

The system wall combines a maximum of light with ideal fire protection without any transom or post profiles interrupting the view. The F30 system wall can be easily combined with matching Hörmann T30 aluminium doors and S-Line and N-Line T30 steel doors.



T30 aluminium automatic sliding door

The T30 automatic sliding door expands your design possibilities. Combine the convenience and transparency of a fully glazed automatic sliding door with optimum fire protection.



Aluminium fire protection elements

Hörmann's aluminium fire-rated/smoke-tight doors and glazings will convince you with certified safety, perfect function and a 100 % matching appearance. These products allow Hörmann to provide a uniform fire protection concept for use in architecturally demanding construction projects.



Steel fire protection elements S-Line and N-Line

Hörmann provides both systems as T30 / F30 fire-rated doors and matching smoke-tight door assemblies. The S-Line system appears very delicate thanks to a fine frame structure. Narrow profiles enhance the look and passage width. The N-Line system is very robust and recommended for construction projects where the doors will be subjected to heavy strain.

Figure on the left: Q1 ThyssenKrupp Megacube, Essen, with Hörmann products

Overview of door functions

Everything is possible

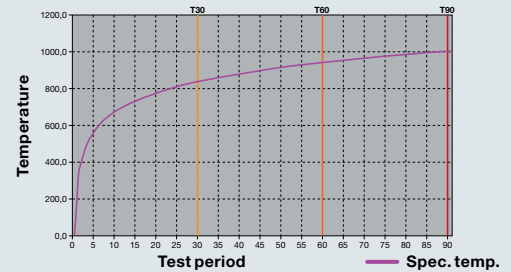


T30**Fire-retarding**
DIN 4102 / DIN EN 1634**T60****High fire resistance**
DIN 4102 / DIN EN 1634**T90****Fire-proof**
DIN 4102 / DIN EN 1634**RS****Smoke-tight**
DIN 18095**dB****Acoustic-rated**
DIN EN ISO 717-1**Ordered in correlation with the resistance class**

DIN EN V 1627 DIN EN 1627

WK 1**WK 2****RC 2****External door****Anti-fall safeguard glazing**

Fire-retarding fire protection elements are tested according to DIN 4102-T5 or DIN EN 1634-1 and officially approved. In fire tests, these doors must resist temperatures according to the temperature/time curve for at least 30 minutes (T30), 60 minutes (T60) or 90 minutes (T90).

Temperature/time curve according to DIN 4102 / DIN EN 1634-1

Smoke protection elements are approved according to DIN 18095 or DIN EN 1634-3. The surface edges of the frame must be permanently sealed to both sides of the building structure.

Acoustic-rated doors and glazings are approved according to DIN EN ISO 717-1. The stated acoustic values are laboratory values. The calculated acoustic value that can be achieved for the object is the laboratory value – 5 dB.

Break-in-resistant according to DIN EN 1627

The DIN EN 1627ff series of standards took effect in September 2011 for break-in-resistant doors. Hörmann break-in-resistant doors have been tested and classified in accordance with the European specifications of the prestandards DIN V ENV 1627 to 1630 since 1999. They are also voluntarily subjected to quality monitoring by an accredited test and certification authority and are recommended by the police.

RC 2 (WK 2) optional extras

- Triple lock
- Aluminium FS lever/knob handle set DIN 18257, class ES 1, with long escutcheon and pull-off protection
- 3-way adjustable hinges
- P4A glazing

Fire-rated and smoke-tight doors for outside use include thermally insulated outer doors as well as approved fire-rated and smoke-tight doors.

The compliance proofs of e.g. resistance to wind loads, water-tightness under heavy rain, air permeability, etc. are based on EN 14351-1.

The German state building codes require protection from lateral falls for circulation areas that are used by persons such as galleries, pedestals or stairways with a minimum height difference of 1000 mm (500 mm in Bavaria).

These directives can be complied with for example by a separately installed railing or, better yet, by a fixed glazing according to TRAV from Hörmann.

F30 / F90 aluminium system wall

Fire protection with maximal transparency for the most discerning demands



Discreet glazing joint

The individual glass panes are jointed with silicone (joint width 5 mm). Available in black as standard and on request in grey.

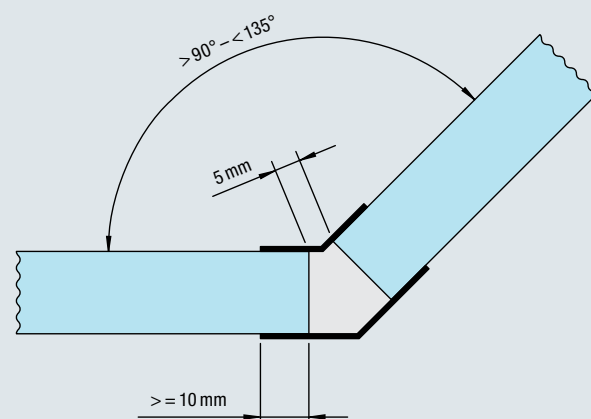


Black silicone joint

Grey silicone joint

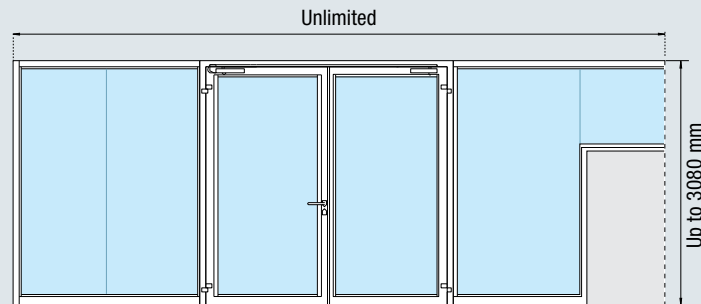
Corner connector

In corner areas with any type of angle, this system glazing does not require corner posts for aluminium F30. The joint with fire-rated silicone is elegantly concealed on the inside and the outside by a glued-on slim metal angle profile only. A technically and visually appealing solution.

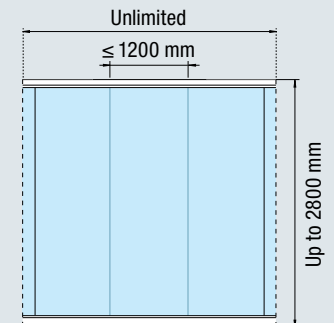


| | |
|------------|-----------------------|
| T30 | Main functions |
| | Fire-retarding |
| | HE 331 SW |
| T90 | Fire-proof |
| | HE 931 SW |
| RS | Smoke-tight |

HE 331 SW



HE 931 SW



| | HE 331 SW | HE 931 SW |
|------------------------------|---------------|---------------|
| Version | Fixed glazing | Fixed glazing |
| Profile system | Aluminium | Aluminium |
| Viewed width | 70 | 70 |
| Depth | 80 | 80 |
| Bottom section height | 70 / 150 | 70 / 150 |
| Fitting in | | |
| Brickwork | ≥ 115 | ≥ 240 |
| Concrete | ≥ 100 | ≥ 140 |
| Gas concrete | ≥ 175 | ≥ 240 |
| Partition wall | ≥ 100 | ≥ 100 |

Wall requirements based on size can be found in the fitting instructions at www.hoermann.com

The compliance proofs of e.g. resistance to wind loads, water-tightness under heavy rain, air permeability, etc. are based on EN 14351-1.

| | HE 331 SW | | HE 931 SW | |
|--|-----------|--------|-----------|---------------|
| | Width | Height | Width | Height |
| Size range | | | | |
| With fascia frame | | | | |
| Overall frame dimension (ordering size) | Unlimited | 3080 | Unlimited | 2800 |
| Maximum door height | | 3000 | | Not available |

T30 RS aluminium automatic sliding door

Perfection and transparency in the most limited space –
with general official approval





**Recommended
for barrier-free
construction**

At a glance:

- T30 aluminium fire-rated door
- Smoke-tight according to DIN 18095
- Single-leaf and double-leaf and with side elements and transom lights
- Matching the Hörmann aluminium fire protection programme
- Maximum clear passage width up to 1200 mm (single-leaf), 2600 mm for double-leaf, maximum clear passage height up to 2500 mm
- No guide rail in the passage area
- GEZE operator Slimdrive SL-T30 with only 70 mm installation height
- Fitting in brickwork / concrete and in light blockwork
- Door element TÜV approved, operator VDS approved
- General official approval by the DIBt



Narrow profile view of the operator with only 70 mm installation height

DIBt
Deutsches Institut für Bautechnik
ANSTALT DER GEFÄHRDUNGSFREIEN
ZUSAMMENGEFASSUNG DER VERFAHREN UND MASSNAHMEN
BAUTECHNISCHES PRÜFAMT
Wissenschaftlich-Technische Dienstleistungen
Technische Dienstleistungen (TD) und der Europäischen Union
für den Approval im Bauwesen (AIA)

Telefon: +49 30 26732-0
Fax: +49 30 26732-200
E-Mail: dibt@diw.de

Seitens: 2. Oktober 2008
Rechtsbehörden: 100 30-1-20-01/07

Zulassungsnummer: 2-6-20-1-997
Zulassung bis: 31. Oktober 2013

Prüfungsort:
Hörmann AG, Schellwiese
Bruchwegstraße, 66225 Haffslar

Zulassungsgegenstand:
T 30-0-FSA "T30-0-1" bzw. T 30-0-00-FSA "ASV-1" bzw.
T 30-0-FSA "T30-0-2" bzw. T 30-0-00-FSA "ASV-2" bzw.
T 30-0-FSA "T30-0-3" bzw. T 30-0-00-FSA "ASV-3" bzw.
T 30-0-FSA "T30-0-4" bzw. T 30-0-00-FSA "ASV-4"

Darüber hinaus genehmigte Zulassungsgegenstände sind ebenfalls bautechnisch zugelassen.
Diese allgemeine bauaufsichtliche Zulassung enthält alle Seiten und technische Anlagen.

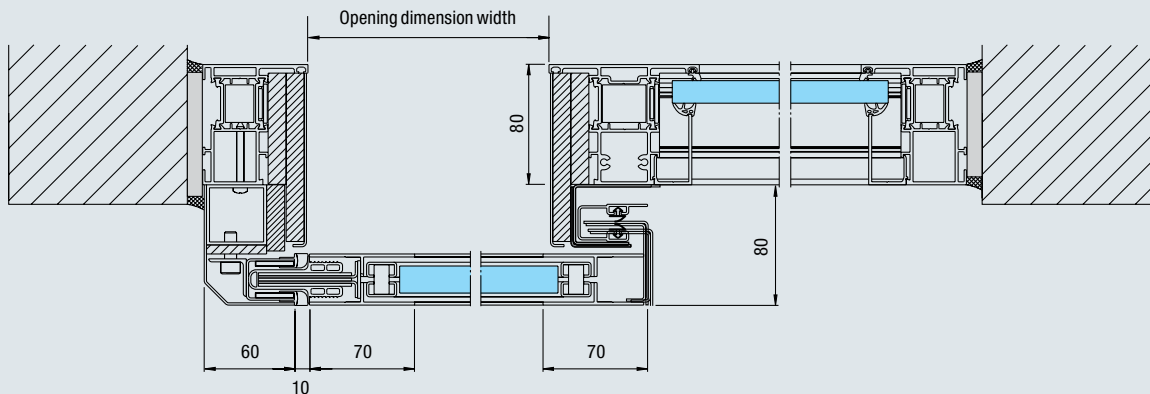
Bautechnik Institut für Bautechnik (DIBt) ist ein Institut der Deutschen Bauingenieurvereine (DIBt) (Kommunikation 2013) (D-10000 Berlin) (Tel: +49 30 26732-0) (Fax: +49 30 26732-200) (E-Mail: dibt@diw.de) (www.dibt.de)

T30 aluminium automatic sliding door

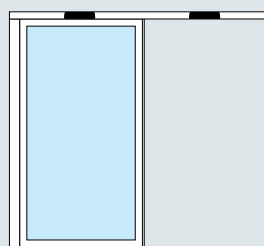
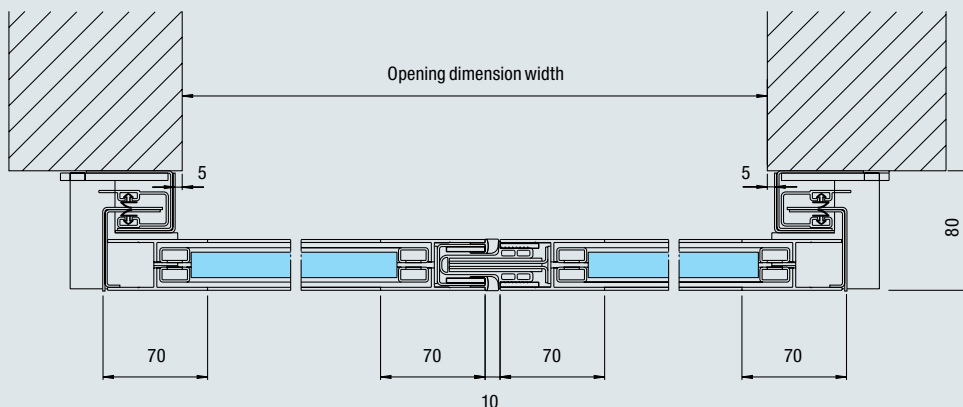
ASW-1, ASW-2, ASV-1, ASV-2

Single and double-leaf doors

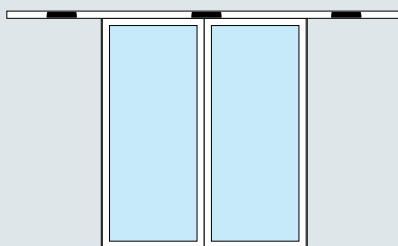
ASV -1 Fitting in the opening



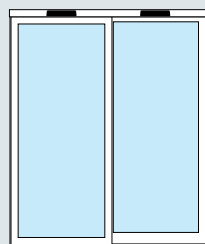
ASW-2 Fitting in front of the wall



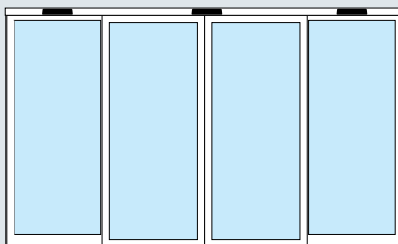
ASW single-leaf
Fitting in front of the wall



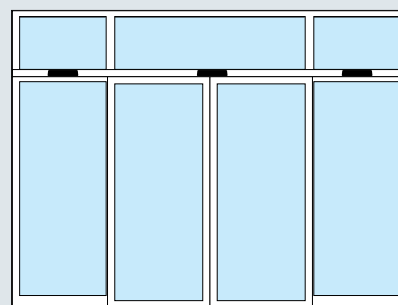
ASW double-leaf
Fitting in front of the wall



ASV single-leaf
with side element
Fitting in the opening



ASV double-leaf with side elements
Fitting in the opening

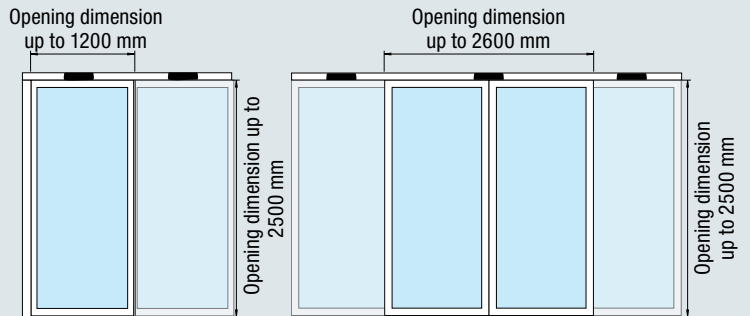


ASV double-leaf with side elements
and transom light
Fitting in the opening

Main functions**T30****Fire-retarding****RS****Smoke-tight**

ASW-1 / ASV-1

ASW-2 / ASV-2



| | ASW-1 / ASV-1 | ASW-2 / ASV-2 |
|------------------------------|----------------------|----------------------|
| Version | Single-leaf door | Double-leaf door |
| Profile system | Aluminium | Aluminium |
| Viewed width | 70 | 70 |
| Depth | 80 | 80 |
| Bottom section height | 150 / 82 | 150 / 82 |
| Fitting in | | |
| Brickwork | ≥ 115 | ≥ 115 |
| Concrete | ≥ 100 | ≥ 100 |
| Gas concrete | ≥ 150 | ≥ 150 |
| Partition wall | ≥ 100 | ≥ 100 |

Wall requirements based on size can be found in the fitting instructions at www.hoermann.com

| Size range | ASW-1 / ASV-1 | | ASW-2 / ASV-2 | |
|-------------------------------------|---------------|-------------|---------------|-------------|
| | Width | Height | Width | Height |
| Opening dimension | | | | |
| Bottom section height 82 mm | 900 – 1200 | 1800 – 2500 | 1300 – 2500 | 1800 – 2500 |
| | | | 1270 | |
| Bottom section height 150 mm | 900 – 1200 | 1800 – 2500 | 1300 – 2600 | 1800 – 2500 |
| | 1190 | | 1270 | |

| Clear passage | Width | Height |
|---------------|--------------------------|------------------------------------|
| ASW-1 | = Opening dimension – 10 | = Opening dimension |
| ASW-2 | = Opening dimension – 30 | = Opening dimension |
| ASV-1 | = Opening dimension – 10 | = Opening dimension – 150 – gap |
| ASV-2 | = Opening dimension – 30 | = Opening dimension – 150 – gap |

Aluminium fire and smoke protection elements

System overview



T30 Fire-retarding
HE 311
HE 321

F30 Fire-retarding
HE 331
HE 331 SW

T60 High fire resistance
HE 611
HE 621

F60 High fire resistance
HE 631


T90 Fire-proof
HE 911
HE 921

F90 Fire-proof
HE 931

RS Smoke-tight
A / RS 100 / 150
A / RS 200 / 250
A / RS 300 / 350

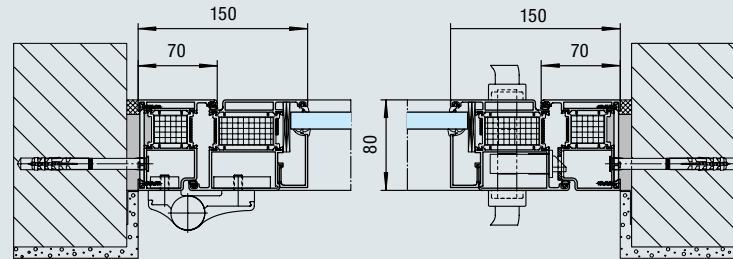
dB Acoustic-rated

WK 2 Break-in-resistant
HE 311
HE 321
A / RS 100
A / RS 200

 **External door**
(In approval process)
HE 311
HE 321

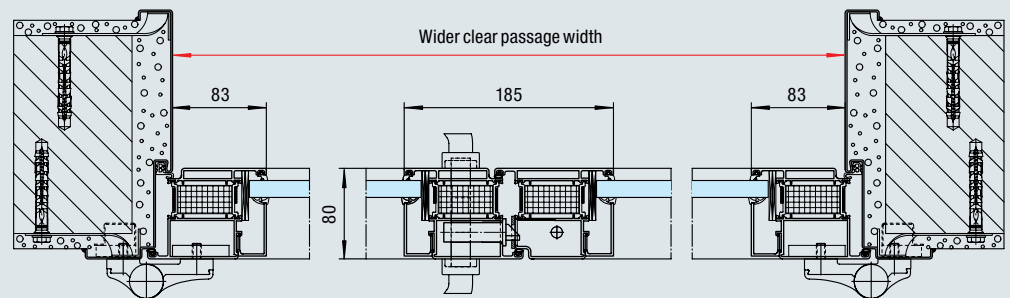
 **Anti-fall safeguard glazing**
A / RS 300
A / RS 350

Single-leaf door with fascia frame



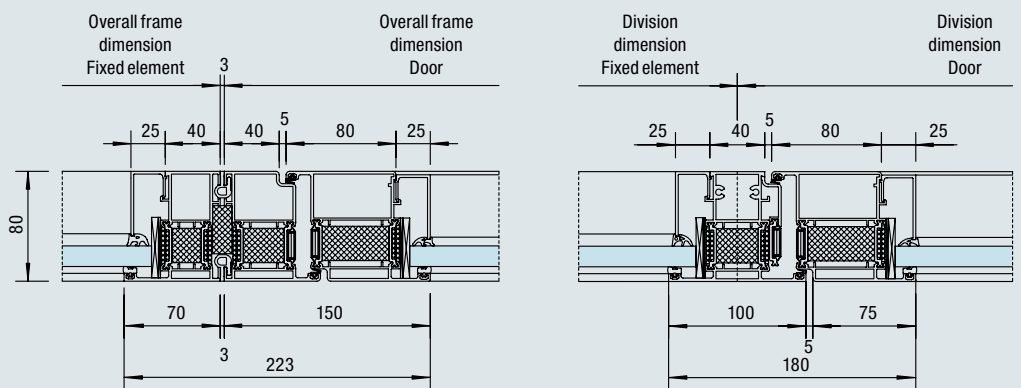
View T30 aluminium

Double-leaf door with steel frame



View T30 aluminium

Fixed glazing



Door / fixed element coupled

View T30 aluminium

Door / fixed element vertical profile construction

All dimensions in mm

Aluminium fire and smoke protection elements

Features

1 Uniform colour scheme

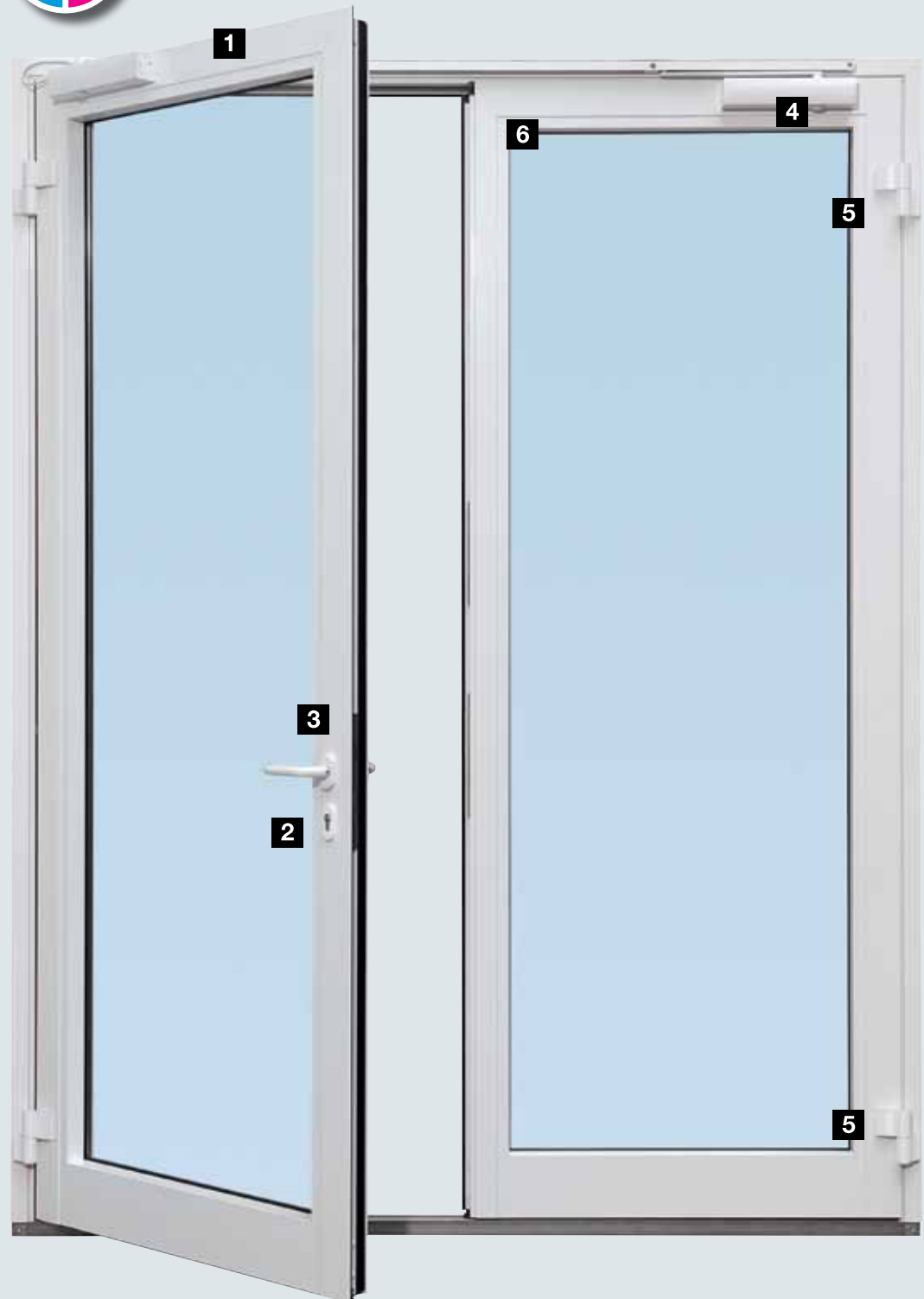
Hörmann offers you doors, frames, fittings, hinges and closing devices in a uniform colour scheme. This allows the door to fit harmoniously into the room concept. As standard, we offer the steel fire and smoke protection elements with a powder-coated primer in Traffic white (RAL 9016). Optionally, the elements are available in natural finish aluminium EV 1, bronze and all RAL colours.

2 Lock

As standard, all Hörmann fire-rated and smoke-tight doors are equipped with a latch catch lock. Doors with resistance class 2 are equipped with a triple lock. The fixed leaf is secured by a rebate espagnolette lock. Optionally, we offer anti-panic locks, also self-locking.

3 Lever handle set

As standard, we offer all door sets with an offset aluminium lever/lever handle set with a steel core including a cylinder rose escutcheon. Break-in-resistant doors are additionally equipped with a protective fitting. Optionally, you can also choose lever handles and lever/knob handle sets as well as aluminium and stainless steel anti-panic bars.



4 Closing devices

As standard, all fire-rated and smoke-tight doors are equipped according to DIN EN 1154 with a slide rail overhead door closer on the hinge side, with an integrated door leaf selector for double-leaf doors. Integrated overhead door closers are also available for a particularly harmonious look of the door.



Slide rail overhead door closer

5 Hinges

The standard 3D hinge for fire-rated and smoke-tight doors is three-way adjustable, either with a pivot point of 20 or 36 mm. This aluminium hinge is available anodised, powder-coated in all colours or with a stainless steel finish.

The elegant and also precisely adjustable guide roller (pivot point 16 mm) is available as an alternative to the 3-way adjustable hinge. It is available in painted steel matching the door surface finish or in polished stainless steel.

The 3-part 3-way adjustable hinges of T90 fire-rated doors (pivot point 20 or 36 mm) can be optimally aligned and are available in the door surface finish. For a matching look, we also offer you T30 and RS doors with these hinges.



2-part 3-way adjustable hinge as standard



Guide roller



3-way adjustable hinge, 3-part (T90)

6 Glazing beads

Glazing beads are not only a functional but also a style element for the overall look of a door. As standard we offer the doors with rectangular glazing beads.

If required, we offer the doors with rounded Softline glazing beads in which the precise mitre of frame and leaf is continued along a single line.



Rectangular glazing beads as standard



Softline glazing beads

Office towers, Hamburg
Architect: BRT Architekten LLP, Hamburg



Hörmann products

- T30 aluminium fire-rated doors
HE 311
- T30 aluminium smoke-tight doors
A / RS 150



T30 / F30 aluminium fire and smoke protection elements

HE 311, HE 321, HE 331

Single and double-leaf doors, fixed glazing

T30

Main functions

Fire-retarding

HE 311
HE 321

F30

Fire-retarding

HE 331

RS

Smoke-tight

dB

Acoustic-rated

Acoustic values
from 35 – 40 dB
– 43 dB (HE 331)

WK 2

Break-in-resistant

HE 311
Up to 1500 × 2750 mm
HE 321
Up to 2750 × 2750 mm



External door

(In approval process)
HE 311
HE 321

Clear passage

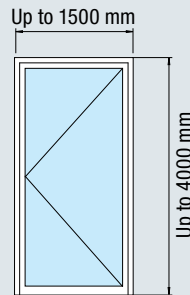
Page 30

Fixed glazings

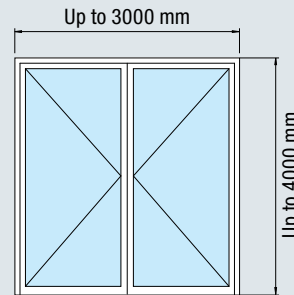
Design variations

Page 31

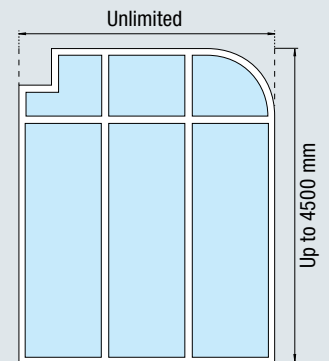
HE 311



HE 321



HE 331



| | HE 311 | HE 321 | HE 331 |
|------------------------------|------------------|------------------|---------------|
| Version | Single-leaf door | Double-leaf door | Fixed glazing |
| Profile system | Aluminium | Aluminium | Aluminium |
| Viewed frame width | 70 | 70 | 70 |
| Depth | 80 | 80 | 80 |
| Bottom section height | 105 / 150 | 105 / 150 | 105 / 150 |
| Fitting in | | | |
| Brickwork | ≥ 115 | ≥ 115 | ≥ 115 |
| Concrete | ≥ 100 | ≥ 100 | ≥ 100 |
| Gas concrete | ≥ 150 | ≥ 150 | ≥ 150 |
| Partition wall | ≥ 100 | ≥ 100 | ≥ 100 |

Wall requirements based on size can be found in the fitting instructions at www.hoermann.com

| Size range | HE 311 | | HE 321 | |
|--|------------|-------------|-------------|-------------|
| | Width | Height | Width | Height |
| With fascia frame | | | | |
| Overall frame dimension (ordering size) | 605 – 1500 | 1740 – 4000 | 1355 – 3000 | 1740 – 4000 |
| Clear passage | 391 – 1286 | 1670 – 3930 | 1067 – 2712 | 1670 – 3930 |
| With steel frame | | | | |
| Nominal size (ordering size) | 535 – 1430 | 1705 – 2965 | 1285 – 2930 | 1705 – 2965 |
| Clear passage | 414 – 1309 | 391 – 2933 | 1107 – 2752 | 1673 – 2933 |
| Traffic leaf division | | | 750 – 1500 | |
| Fixed leaf division | | | 500 – 1500 | |

| Size range | HE 331 | |
|--|-----------|--------------|
| | Width | Height |
| With fascia frame | | |
| Overall frame dimension (ordering size) | Unlimited | 4500 / 4000* |
| Maximum door height* | | 3000 |

* For combination of door (HE 311, HE 321) and fixed glazing (HE 331)

All dimensions in mm

“Sign” Harbour Office, Düsseldorf
Architect: Murphy / Jahn, Chicago – Berlin



Hörmann products

- T30 aluminium fire-rated and smoke-tight doors HE 311/331
- T90 aluminium fire-rated and smoke-tight doors HE 921
- F90 fire-resistant glazing HE 931
- T30 steel fire-rated doors STS
- T30 steel fire-rated doors H3D
- T90 steel fire-rated doors H16
- Industrial rolling grille



T60 / F60 aluminium fire and smoke protection elements

HE 611, HE 621, HE 631

Single and double-leaf doors, fixed glazing

T60

Main functions

High fire resistance

HE 611
HE 621

F60

High fire resistance

HE 631

RS

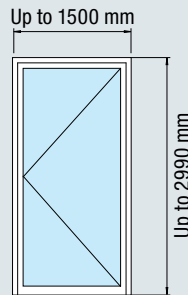
Smoke-tight

dB

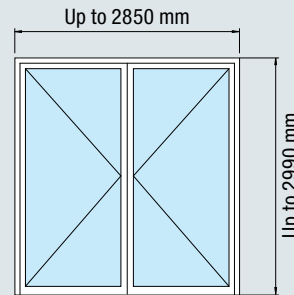
Acoustic-rated

Acoustic values
from 39 – 40 dB
– 44 dB (HE 631)

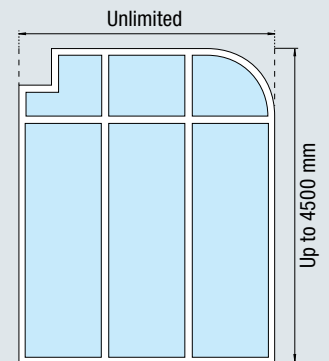
HE 611



HE 621



HE 631



| | HE 611 | HE 621 | HE 631 |
|------------------------------|------------------|------------------|---------------|
| Version | Single-leaf door | Double-leaf door | Fixed glazing |
| Profile system | Aluminium | Aluminium | Aluminium |
| Viewed width | 70 | 70 | 70 |
| Depth | 80 | 80 | 80 |
| Bottom section height | 150 | 150 | 150 |
| Fitting in | | | |
| Brickwork | ≥ 175 | ≥ 175 | ≥ 175 |
| Concrete | ≥ 140 | ≥ 140 | ≥ 140 |
| Gas concrete | ≥ 200 | ≥ 200 | ≥ 200 |
| Partition wall | ≥ 100 | ≥ 100 | ≥ 100 |

Wall requirements based on size can be found in the fitting instructions at www.hoermann.com

| Size range | HE 611 | | HE 621 | |
|--|------------|-------------|-------------|-------------|
| | Width | Height | Width | Height |
| With fascia frame | | | | |
| Overall frame dimension (ordering size) | 605 – 1500 | 1740 – 2990 | 1355 – 2850 | 1740 – 2990 |
| Clear passage | 391 – 1286 | 1720 – 2780 | 1167 – 2562 | 1720 – 2780 |
| Traffic leaf division | | | 500 – 1425 | |
| Fixed leaf division | | | 500 – 1425 | |

| Size range | HE 631 | |
|--|-----------|--------------|
| | Width | Height |
| Overall frame dimension (ordering size) | Unlimited | 4500 / 4000* |
| Maximum door height* | | 2800 |

* For combination of door (HE 611, HE 621) and fixed glazing (HE 631)

Clear passage Page 30

Fixed glazings
Design variations Page 31

All dimensions in mm

25

Aufbau Haus in Berlin

Architects: Clarke und Kuhn, freie Architekten BDA, Berlin

Thinkbuild architecture, Jason Danzinger, Berlin



Hörmann products

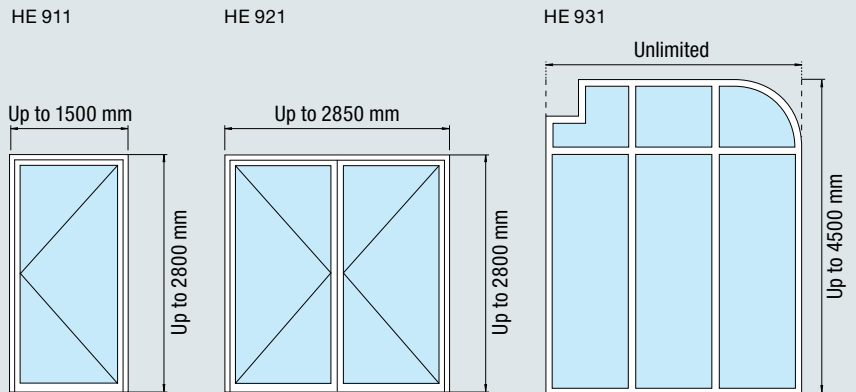
- T30 aluminium fire-rated doors HE 311 and HE 321
- T30 steel fire-rated doors H3
- Industrial rolling grille Classic HG-A

T90 / F90 aluminium fire and smoke protection elements

HE 911, HE 921, HE 931

Single and double-leaf doors, fixed glazing

| | |
|------------|---|
| | Main functions |
| T90 | Fire-proof HE 911 HE 921 |
| F90 | Fire-proof HE 931 |
| RS | Smoke-tight |
| dB | Acoustic-rated Acoustic values from 39 – 40 dB – 44 dB (HE 931) |



| | HE 911 | HE 921 | HE 931 |
|------------------------------|------------------|------------------|---------------|
| Version | Single-leaf door | Double-leaf door | Fixed glazing |
| Profile system | Aluminium | Aluminium | Aluminium |
| Viewed frame width | 70 | 70 | 70 |
| Depth | 80 | 80 | 80 |
| Bottom section height | 150 | 150 | 70 / 150 |
| Fitting in | | | |
| Brickwork | ≥ 240 | ≥ 240 | ≥ 240 |
| Concrete | ≥ 140 | ≥ 140 | ≥ 140 |
| Gas concrete | ≥ 240 | ≥ 240 | ≥ 240 |
| Partition wall | ≥ 100 | ≥ 100 | ≥ 100 |

Wall requirements based on size can be found in the fitting instructions at www.hoermann.com

| Size range | HE 911 | | HE 921 | |
|--|------------|-------------|-------------|-------------|
| | Width | Height | Width | Height |
| With fascia frame | | | | |
| Overall frame dimension (ordering size) | 605 – 1500 | 1740 – 2800 | 1355 – 2850 | 1740 – 2800 |
| Clear passage | 391 – 1286 | 1720 – 2730 | 1167 – 2562 | 1720 – 2730 |

| Size range | HE 931 | |
|--|-----------|--------------|
| | Width | Height |
| Overall frame dimension (ordering size) | Unlimited | 4500 / 4000* |
| Maximum door height* | | 2800 |

* For combination of door (HE 911, HE 921) and fixed glazing (HE 931)

| | |
|-------------------|---------|
| Clear passage | Page 30 |
| Fixed glazings | |
| Design variations | Page 31 |

All dimensions in mm

27

Aluminium smoke protection elements

A / RS 150, A / RS 250, A / RS 350

Single and double-leaf doors, fixed glazing

RS

Main functions

Smoke-tight

dB

Acoustic-rated

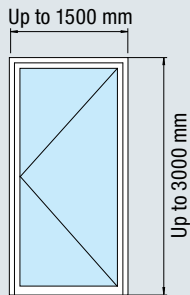
Acoustic values from 31 – 32 dB

TRAV

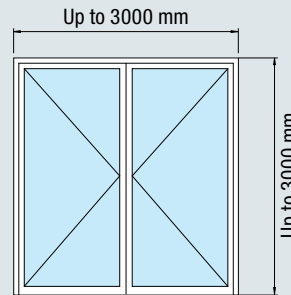
Anti-fall safeguard glazing

A / RS 350

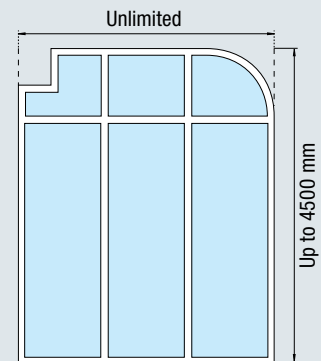
A / RS 150



A / RS 250



A / RS 350



| | A / RS 150 | A / RS 250 | A / RS 350 |
|------------------------------|------------------|------------------|---------------|
| Version | Single-leaf door | Double-leaf door | Fixed glazing |
| Profile system | Aluminium | Aluminium | Aluminium |
| Viewed frame width | 70 | 70 | 70 |
| Depth | 50 | 50 | 50 |
| Bottom section height | 105 / 150 | 105 / 150 | 105 / 150 |
| Fitting in | | | |
| Brickwork | ≥ 115 | ≥ 115 | ≥ 115 |
| Concrete | ≥ 100 | ≥ 100 | ≥ 100 |
| Gas concrete | ≥ 150 | ≥ 150 | ≥ 150 |
| Partition wall | ≥ 100 | ≥ 100 | ≥ 100 |

Wall requirements based on size can be found in the fitting instructions at www.hoermann.com

| | A / RS 150 | | A / RS 250 | |
|--|------------|-------------|-------------|-------------|
| | Width | Height | Width | Height |
| Size range | | | | |
| With fascia frame | | | | |
| Overall frame dimension (ordering size) | 605 – 1500 | 1740 – 3000 | 1355 – 3000 | 1740 – 3000 |
| Clear passage | 421 – 1316 | 1670 – 2730 | 1215 – 2860 | 1670 – 2730 |
| With steel frame | | | | |
| Nominal size (ordering size) | 535 – 1430 | 1635 – 2965 | 1285 – 2930 | 1635 – 2965 |
| Clear passage | 424 – 1319 | 1603 – 2933 | 1127 – 2777 | 1603 – 2933 |
| Traffic leaf division | | | 548 – 1500 | |
| Fixed leaf division | | | 548 – 1500 | |

| | A / RS 350 | |
|--|---|-----------|
| Size range | Width | Height |
| Overall frame dimension (ordering size) | Unlimited | Unlimited |
| Maximum door height* | | 3000 |
| TRAV | | |
| Max. element size | Unlimited | 4500 |
| Min. pane size | 800 | 1000 |
| Max. pane size | Depending on glass type according to table 2 TRAV | |

* For combination of door (A / RS 150, A / RS 250) and fixed glazing (A / RS 350)

Clear passage Page 30

Fixed glazings

Design variations Page 31

Aluminium smoke protection elements, insulated

A / RS 100, A / RS 200, A / RS 300

Single and double-leaf doors, fixed glazing

RS

Main functions

Smoke-tight

dB

Acoustic-rated

Acoustic values 34 dB

WK 2

Break-in-resistant

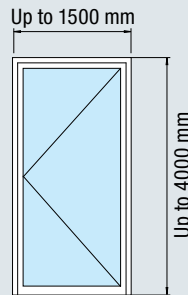
A / RS 100
Up to 1500 × 2750 mm
A / RS 200
Up to 2750 × 2750 mm

TRAV

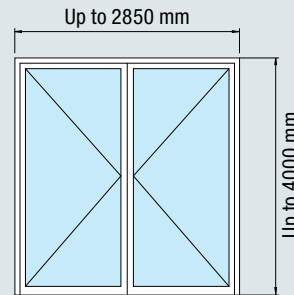
Anti-fall safeguard glazing

A / RS 300

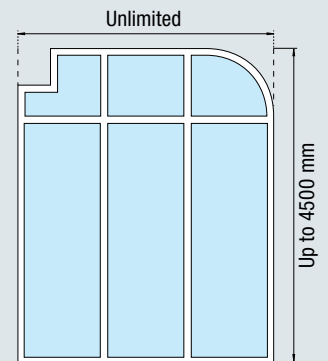
A / RS 100



A / RS 200



A / RS 300



| | A / RS 100 | A / RS 200 | A / RS 300 |
|------------------------------|------------------|------------------|---------------|
| Version | Single-leaf door | Double-leaf door | Fixed glazing |
| Profile system | Aluminium | Aluminium | Aluminium |
| Viewed width | 70 | 70 | 70 |
| Depth | 80 | 80 | 80 |
| Bottom section height | 70 / 150 | 70 / 150 | 70 / 150 |
| Fitting in | | | |
| Brickwork | ≥ 115 | ≥ 115 | ≥ 115 |
| Concrete | ≥ 100 | ≥ 100 | ≥ 100 |
| Gas concrete | ≥ 150 | ≥ 150 | ≥ 150 |
| Partition wall | ≥ 100 | ≥ 100 | ≥ 100 |

Wall requirements based on size can be found in the fitting instructions at www.hoermann.com

| Size range | A / RS 100 | | A / RS 200 | |
|--|------------|--------------|-------------|--------------|
| | Width | Height | Width | Height |
| With fascia frame | | | | |
| Overall frame dimension (ordering size) | 605 – 1500 | 1740 – 4000 | 1355 – 3000 | 1740 – 4000 |
| Clear passage | 391 – 1286 | 1670 – 3930 | | |
| With steel frame | | | | |
| Nominal size (ordering size) | 535 – 1430 | 1705 – 2965* | 1285 – 2930 | 1750 – 2965* |
| Clear passage | 424 – 1319 | 1673 – 3933 | 1127 – 2777 | 1673 – 3933 |
| Traffic leaf division | | | 500 – 1500 | |
| Fixed leaf division | | | 500 – 1500 | |

* With transom light 3500

| Size range | A / RS 300 | |
|--|---|-----------|
| | Width | Height |
| Overall frame dimension (ordering size) | Unlimited | Unlimited |
| Maximum door height** | | 3000 |
| TRAV | | |
| Max. element size | Unlimited | 4500 |
| Min. pane size | 800 | 1000 |
| Max. pane size | Depending on glass type according to table 2 TRAV | |

** For combination of door (A / RS 100, A / RS 200) and fixed glazing (A / RS 300)

Clear passage Page 30

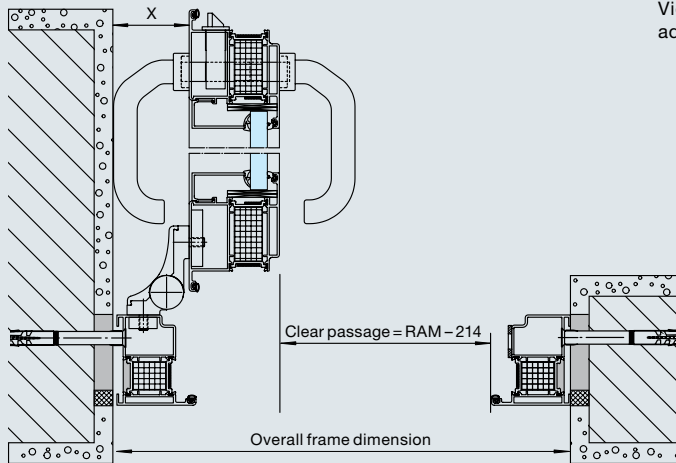
Fixed glazings

Design variations Page 31

Clear passage

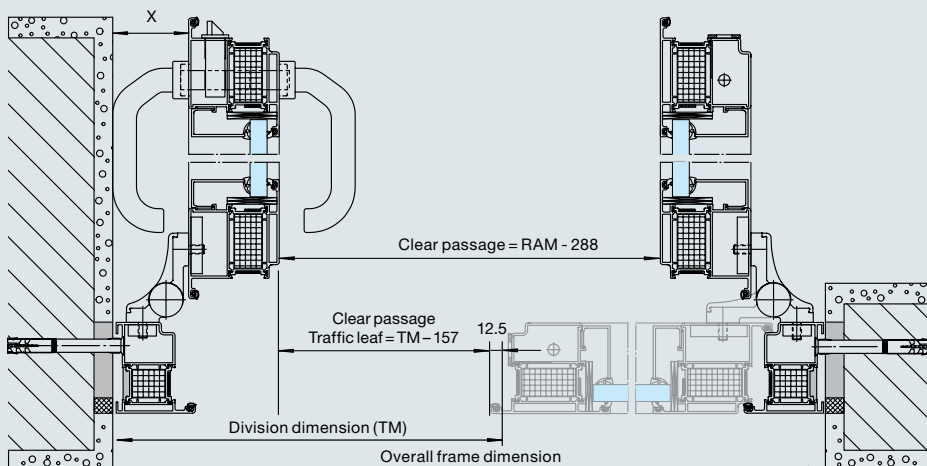
With door leaf opened by 90° and without fittings

Single-leaf door



View of T30 aluminium fire-rated door, single-leaf with 3-way adjustable hinge with 20 mm pivot point

Double-leaf door



View of T30 aluminium fire-rated door, double-leaf with 3-way adjustable hinge with 20 mm pivot point

| Hinge system | Single-leaf door | | Double-leaf door, overall | | Double-leaf door, traffic leaf | | Distance leaf / wall (x) |
|---|------------------|--|---------------------------|--|--------------------------------|--|--------------------------|
| Door type | A / RS 150 | HE 311 HE 611 HE 911 A / RS 100 | A / RS 250 | HE 321 HE 621 HE 921 A / RS 200 | A / RS 250 | HE 321 HE 621 HE 921 A / RS 200 | |
| Depth | 50 | 80 | 50 | 80 | 50 | 80 | |
| 3-way adjustable hinge, pivot point 20 mm | RAM - 184 | RAM - 214 | RAM - 228 | RAM - 288 | Division dimension - 127 | Division dimension - 157 | 64 |
| 3-way adjustable hinge, pivot point 36 mm | RAM - 200 | RAM - 230 | RAM - 260 | RAM - 320 | Division dimension - 143 | Division dimension - 173 | 80 |
| Guide roller*, pivot point 16 mm | RAM - 179 | RAM - 209 | RAM - 218 | RAM - 278 | Division dimension - 117 | Division dimension - 152 | 52 |

All dimensions refer to element assemblies

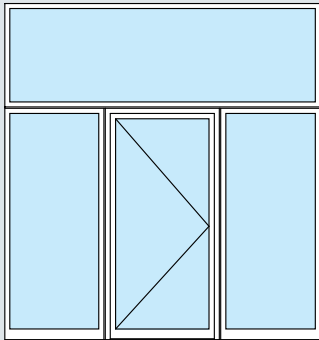
* Only for HE 611, HE 621, HE 911, HE 921

Fixed glazings

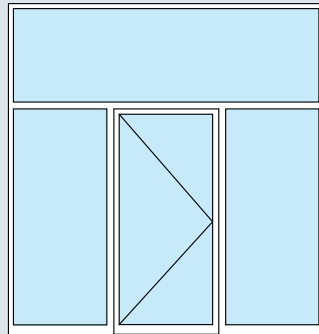
Design variations

Hörmann aluminium fire-rated doors are available either as a coupling construction for simple connection on location, or as complete elements with a vertical/horizontal profile construction. Thus they can be easily matched to the fitting situation at the construction site.

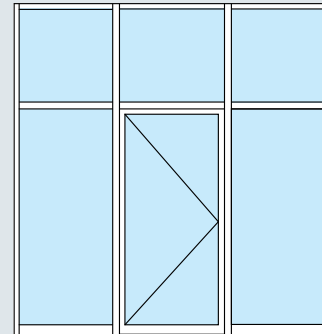
With the Hörmann plug-in system, the slim vertical/horizontal profile construction can also be assembled into walls of any size.



Coupling construction

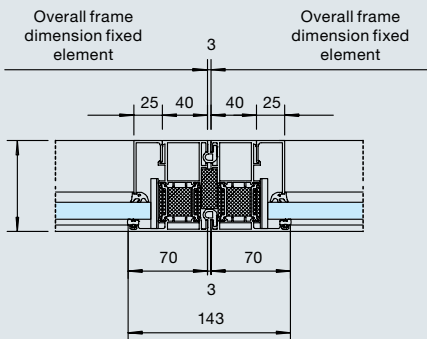


Vertical / horizontal profile construction as a complete element

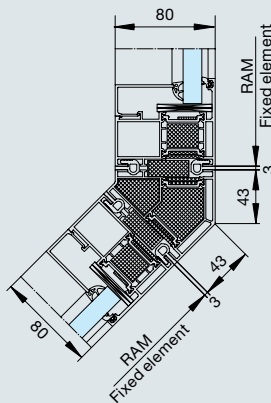


Vertical / horizontal profile construction as a plug-in system

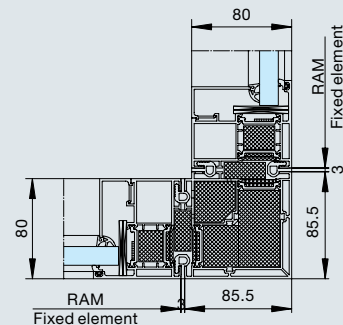
Coupling construction variants



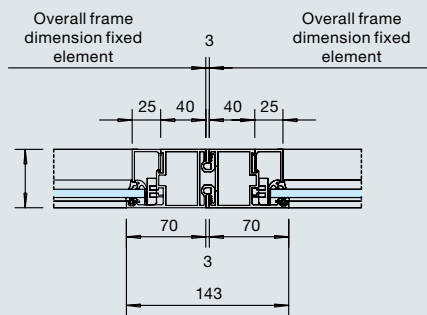
Aluminium F30 coupling 180°



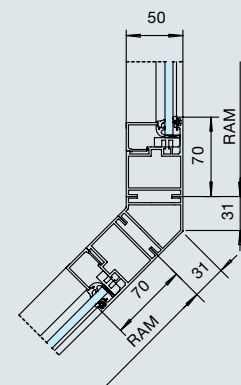
Aluminium F30 coupling 135°



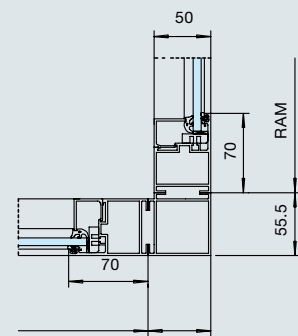
Aluminium F30 coupling 90°



Aluminium RS-3 coupling 180°



Aluminium RS-3 coupling 135°



Aluminium RS-3 coupling 90°

All dimensions in mm

Hafencity, Hamburg

Hörmann projects in one of Europe's largest urban development areas



Projects with Hörmann products

incl. Dalmann-Carrée, Kühne + Nagel, Coffee Plaza, Marco-Polo-Tower, 25h Hotel, Unilever building, Oval am Kaiserkai



Hörmann products

- T30 aluminium fire-rated doors HE 311
- T90 aluminium fire-rated doors HE 911
- Aluminium smoke-tight doors A / RS 150
- T30 steel fire-rated doors H3
- T90 steel fire-rated doors H16
- T30 steel fire-rated doors STS



Spiegel building

Architect: Henning Larsen Architects, Copenhagen, DK





CC01 Commercial Center
Architect: Baumschlagler Eberle Ziviltechniker GmbH, Lochau, AT



Hörmann products

- T30 aluminium fire protection elements HE 311, HE 321, HE 331
- Aluminium smoke-tight doors A / RS 150, A / RS 250
- T30 steel fire-rated doors HL 310 S, HL 320 S
- T90 aluminium fire-rated doors HE 911, HE 921
- F90 aluminium fire protection elements HE 931



Elbphilharmonie under construction
Architect: © Herzog & de Meuron, Basel (Switzerland)



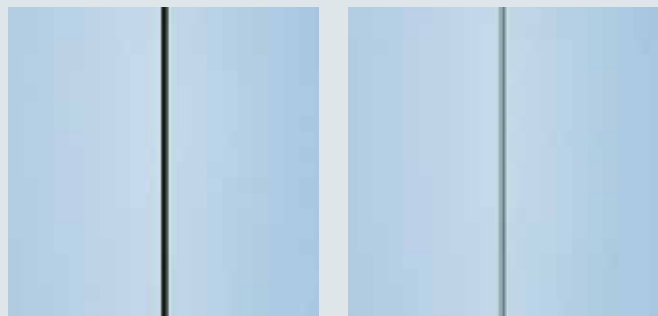
F30 steel system wall

Matching the S-Line and N-Line steel fire-rated and smoke-tight doors



Discreet glazing joint

The individual glass panes are jointed by silicone (joint width 5 mm). Available in black as standard and on request in transparent.

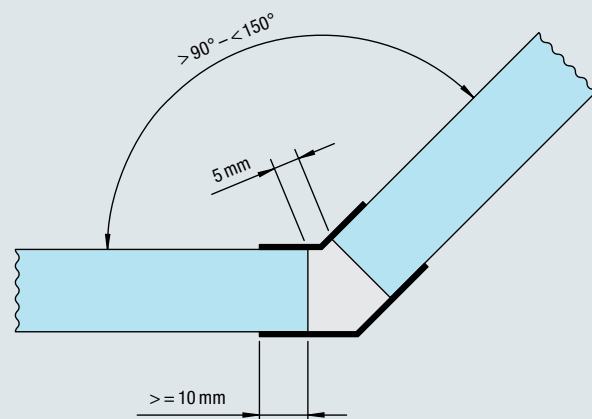


Black silicone joint

Transparent silicone joint

Corner connector

In corner areas with any angle, this system glazing does not require corner posts. The joint with fire-rated silicone is elegantly concealed on the inside and the outside by a glued-on slim metal angle profile only. A technically and visually appealing solution.



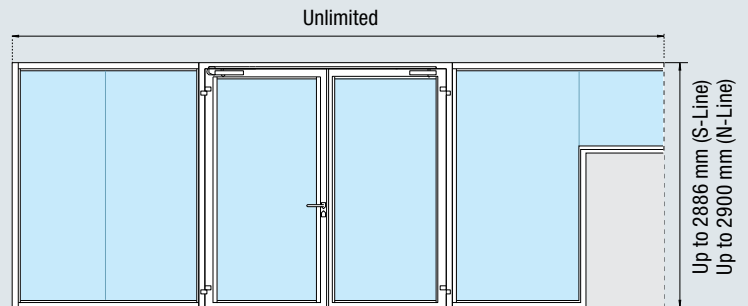
Main functions**F30**

Fire-retarding

RS

Smoke-tight

HL 330 S / SW, HL 330 SW



| | HL 330 S / SW | HL 330 SW |
|------------------------------|------------------|------------------|
| Version | Double-leaf door | Double-leaf door |
| Profile system | Steel S-Line | Steel N-Line |
| Viewed width | 134 | 168 |
| Depth | 60 | 60 |
| Bottom section height | 70 / 81 | 84 / 150 |
| Fitting in | | |
| Brickwork | ≥ 115 | ≥ 115 |
| Concrete | ≥ 100 | ≥ 100 |
| Gas concrete | ≥ 150 | ≥ 150 |
| Partition wall | ≥ 100 | ≥ 100 |

Wall requirements based on size can be found in the fitting instructions at www.hoermann.com

| Size range | HL 330 S / SW S-Line | | HL 330 SW N-Line | |
|--|----------------------|--------|------------------|--------|
| | Width | Height | Width | Height |
| With fascia frame | | | | |
| Overall frame dimension (ordering size) | Unlimited | 2886 | Unlimited | 2900 |
| Maximum door height | | 2886 | | 2900 |

All dimensions in mm

35

Steel fire and smoke protection elements

System overview



Particularly slim profile view with S-Line steel

Steel S-Line

T30 Fire-retarding
HL 310 S
HL 320 S

F30 Fire-retarding
HL 330 S

G30 Fire-retarding
G 300 S

RS Smoke-tight
S / RS 100 S
S / RS 200 S
S / RS 300 S

dB Acoustic-rated

RC 2 Break-in-resistant

Steel N-Line

T30 Fire-retarding
HL 310
HL 320

F30 Fire-retarding
HL 330

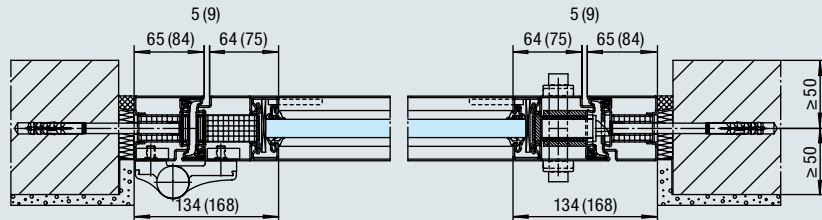
G30 Fire-retarding
G 300

RS Smoke-tight
S / RS 100
S / RS 200
S / RS 300

dB Acoustic-rated

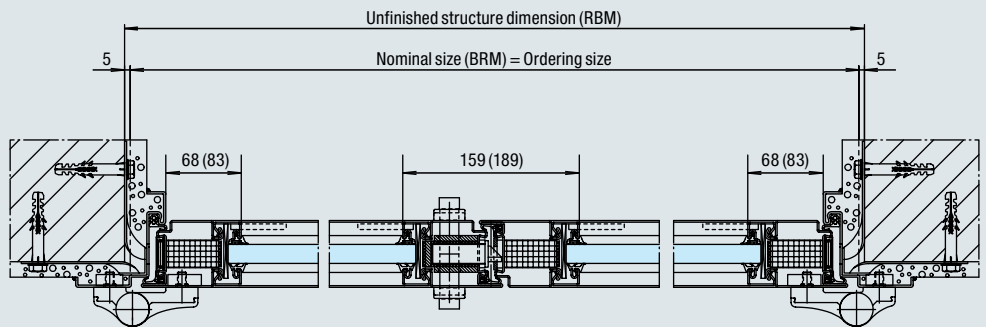
RC 2 Break-in-resistant

Single-leaf S-Line steel door with fascia frame



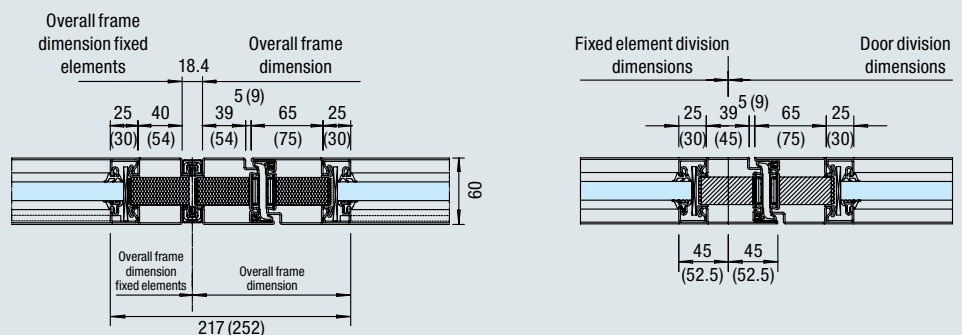
View T30 steel S-Line, in brackets N-Line dimensions

Double-leaf S-Line steel door with steel frame



View T30 steel S-Line, in brackets N-Line dimensions

Fixed glazing steel S-Line



Door / fixed element coupled

View T30 steel S-Line, in brackets N-Line dimensions

Door / fixed element vertical profile construction

Steel fire and smoke protection elements

Features

1 Uniform colour scheme

Hörmann offers you doors, frames, fittings, hinges and closing devices in a uniform colour scheme. This allows the door to fit harmoniously into the room concept. As standard, we offer the steel fire and smoke protection elements galvanized, with a powder-coated primer in Traffic white (similar to RAL 9016). Optionally, the elements are available galvanized primed, in bronze and all RAL colours.

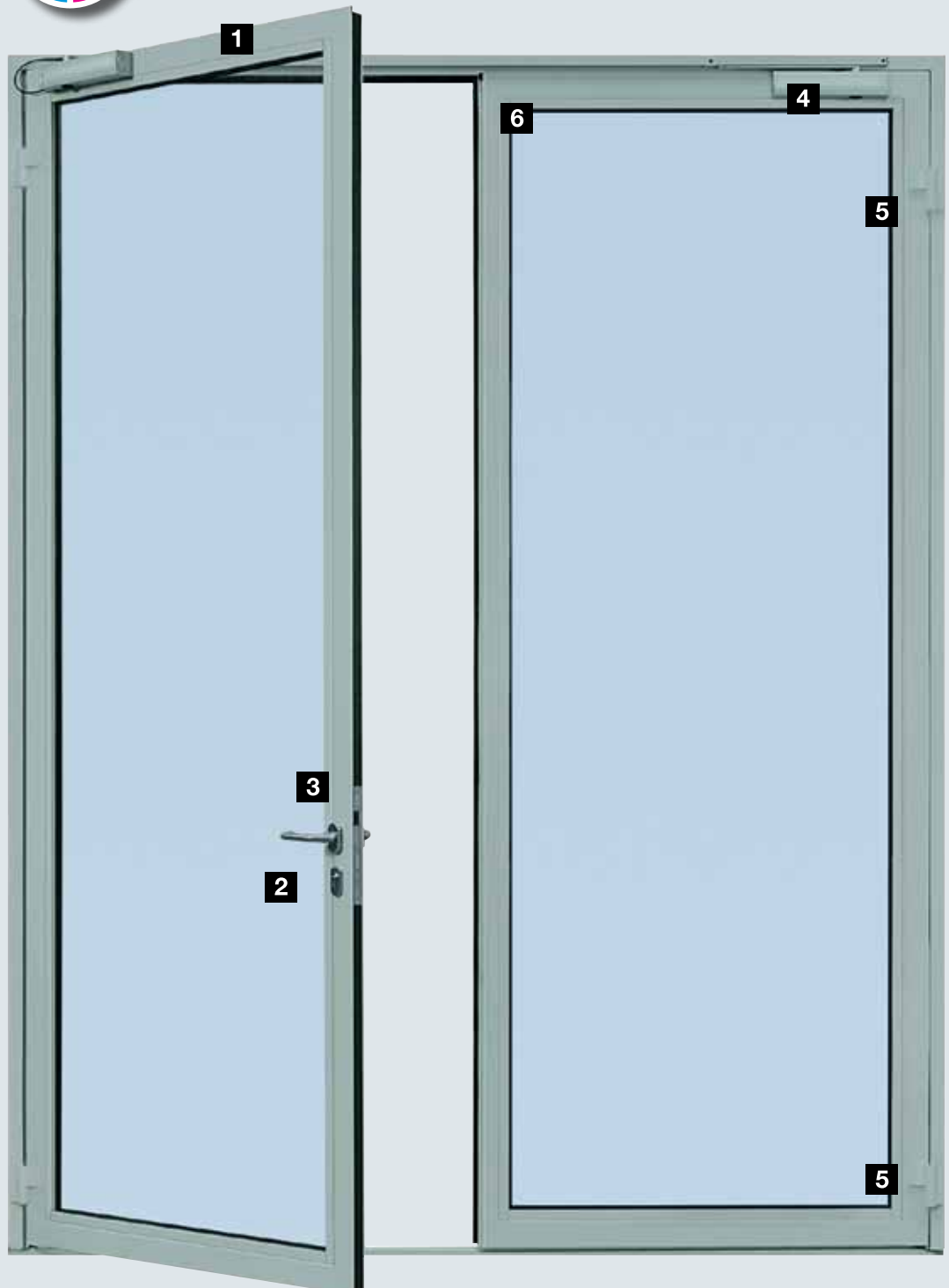


2 Lock

As standard, all Hörmann fire-rated and smoke-tight doors are equipped with a latch catch lock. The fixed leaf is secured by a rebate espagnolette lock. Optionally, we offer anti-panic locks, also self-locking.

3 Lever handle set

As standard, we offer all door sets with an offset aluminium lever/lever handle set with a steel core including a cylinder rose escutcheon. Optionally, you can also choose lever handles and lever / knob handle sets as well as aluminium and stainless steel anti-panic bars.



4 Closing devices

As standard, all fire-rated and smoke-tight doors are equipped according to DIN EN 1154 with a slide rail overhead door closer on the hinge side, with an integrated door leaf selector for double-leaf doors. Integrated overhead door closers are also available for a particularly harmonious look of the door.



Slide rail overhead door closer

5 Hinges



The standard 3D hinge for T30 and RS doors is three-way adjustable, either with a pivot point of 20 or 36 mm. This aluminium hinge is available anodised, powder-coated in all colours or with a stainless steel finish.



For the slim S-Line profiles alternatively the slim steel guide roller is also available as a version for welding or screwing on (pivot point 12 mm). It highlights the vertical line and is available with the same surface as the door or in stainless steel.



The concealed hinges are integrated in the fascia frame and door leaf. This is coupled with an integrated closing system and thus the all-round profile is not interrupted by a surface-mounted element.

6 Glazing beads



As standard, the doors are equipped all-round and on both sides of the door with rectangular steel glazing beads. This detail gives the door an elegant overall appearance.



For an exclusive industrial look you can also choose screwed angle glazing beads for both sides of the door.



We also offer a screwed angle glazing bead with edge recess, which is fitted on both sides of the door, giving the door a delicate filigree touch.

T30 steel fire and smoke protection elements S-Line

HL 310 S, HL 320 S

Single and double-leaf doors

Main functions

T30

Fire-retarding

RS

Smoke-tight

dB

Acoustic-rated

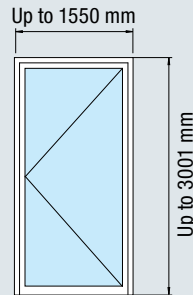
Acoustic values from
34 – 42 dB

RC 2

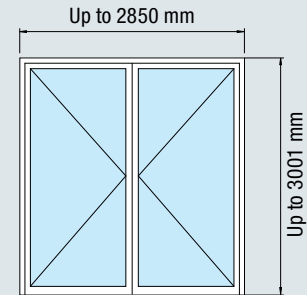
Break-in-resistant

HL 310 S
Up to 1500 x 2800 mm
HL 320 S
Up to 1500 x 2800 mm

HL 310 S



HL 320 S



HL 310 S

Version

Single-leaf door

HL 320 S

Double-leaf door

Profile system

Steel S-Line

Steel S-Line

Viewed width

134

134

Depth

60

60

Bottom section height

76

76

Fitting in

Brickwork

≥ 115

≥ 115

Concrete

≥ 100

≥ 100

Gas concrete

≥ 150

≥ 150

Partition wall

≥ 100

≥ 100

Wall requirements based on size can be found in the fitting instructions at www.hoermann.com

| Size range | HL 310 S | | HL 320 S | |
|---|------------|-------------|-------------|-------------|
| | Width | Height | Width | Height |
| With fascia frame | | | | |
| Overall frame dimension (ordering size) | 567 – 1550 | 1721 – 3001 | 1317 – 2852 | 1721 – 3001 |
| Clear passage | 387 – 1370 | 1656 – 2936 | 1087 – 2622 | 1656 – 2936 |
| With steel frame | | | | |
| Nominal size (ordering size) | 499 – 1485 | 1687 – 2278 | 1244 – 2844 | 1687 – 2278 |
| Clear passage | 385 – 1371 | 1655 – 2246 | 1085 – 2680 | 1655 – 2246 |
| Traffic leaf division | | | 500 – 1425 | |
| Fixed leaf division | | | 500 – 1425 | |

Clear passage Page 48

Fixed glazings Page 49
Design variations

F30 steel fire and smoke protection elements S-Line

HL 330 S, G 300 S

Fixed glazings

F30
Main functions
Fire-retarding

HL 330 S

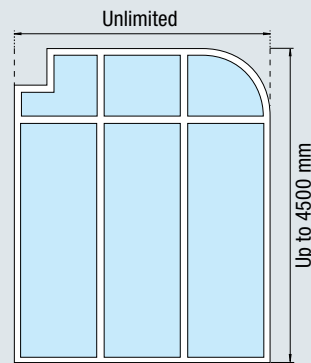
G30
Fire-retarding

G 300 S

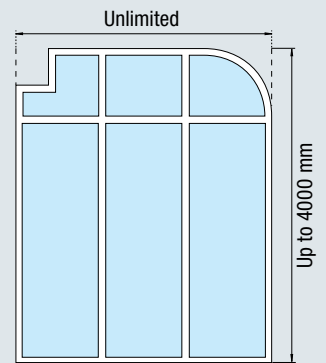
RS
Smoke-tight
dB
Acoustic-rated

 Acoustic values
 43 dB (HL 330 S)
 31 dB (G 300 S)

HL 330 S



G 300 S


HL 330 S

| | |
|------------------------------|---------------|
| Version | Fixed glazing |
| Profile system | Steel S-Line |
| Viewed width | 65 |
| Depth | 60 |
| Bottom section height | 76 |

G 300 S

| | |
|------------------------------|---------------|
| Version | Fixed glazing |
| Profile system | Steel S-Line |
| Viewed width | 65 |
| Depth | 60 |
| Bottom section height | 76 |

Fitting in

| | | |
|----------------|-------|-------|
| Brickwork | ≥ 115 | ≥ 115 |
| Concrete | ≥ 100 | ≥ 100 |
| Gas concrete | ≥ 150 | ≥ 150 |
| Partition wall | ≥ 100 | ≥ 100 |

 Wall requirements based on size can be found in the fitting instructions at www.hoermann.com

| Size range | HL 330 S | | G 300 S | |
|--|-----------|--------|-----------|---------------|
| | Width | Height | Width | Height |
| With fascia frame | | | | |
| Overall frame dimension (ordering size) | Unlimited | 4500 | Unlimited | 4000 |
| Maximum door height* | | 3001 | | Not available |

* For combination of door (HL 310 S, HL 320 S) and fixed glazing (HL 330 S, G 300 S)

Fixed glazings

Design variations

Page 49

All dimensions in mm

Drägerwerk AG, Lübeck

Architect: Goetz Hootz Castorph Architekten und Stadtplaner, Munich



Hörmann products

- T30 fire-rated and smoke-tight doors HL 310, HL 320, HL 330
- Steel smoke-tight doors S/RS 100, S/RS 200, S/RS 300
- T30 Fire-rated doors H3, H3D
- T90 Fire-rated doors H 16
- Classic rolling grille HG-S
- Steel folding doors KSM

Steel smoke protection elements S-Line

S / RS 100 S, S / RS 200 S, S / RS 300 S

Single and double-leaf doors, fixed glazing

RS

Main functions

Smoke-tight

dB

Acoustic-rated

Acoustic values from 32 – 42 dB

TRAV

Additional function

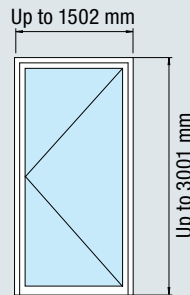
Anti-fall safeguard glazing

RC 2

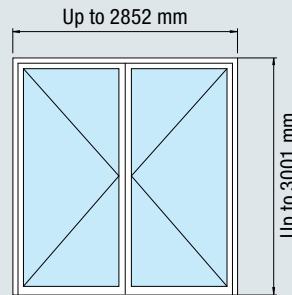
Break-in-resistant

S / RS 100 S
Up to 1500 × 2800 mm
S / RS 200 S
Up to 2850 × 2800 mm

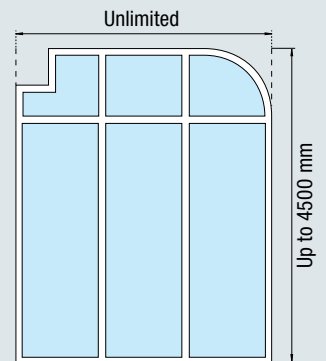
S / RS 100 S



S / RS 200 S



S / RS 300 S



| | S / RS 100 S | S / RS 200 S | S / RS 300 S |
|------------------------------|------------------|------------------|---------------|
| Version | Single-leaf door | Double-leaf door | Fixed glazing |
| Profile system | Steel S-Line | Steel S-Line | Steel S-Line |
| Viewed width | 134 | 134 | 65 |
| Depth | 60 | 60 | 60 |
| Bottom section height | 76 | 76 | 76 |
| Fitting in | | | |
| Brickwork | ≥ 115 | ≥ 115 | ≥ 115 |
| Concrete | ≥ 100 | ≥ 100 | ≥ 100 |
| Gas concrete | ≥ 100 | ≥ 100 | ≥ 100 |
| Partition wall | ≥ 100 | ≥ 100 | ≥ 100 |

Wall requirements based on size can be found in the fitting instructions at www.hoermann.com

| Size range | S / RS 100 S | | S / RS 200 S | |
|--|--------------|-------------|--------------|-------------|
| | Width | Height | Width | Height |
| With fascia frame | | | | |
| Overall frame dimension (ordering size) | 567 – 1502 | 1721 – 3001 | 1317 – 2852 | 1721 – 3001 |
| Clear passage | 387 – 1322 | 1656 – 2936 | 1087 – 2622 | 1656 – 2936 |
| With steel frame | | | | |
| Nominal size (ordering size) | 499 – 1432 | 1706 – 2967 | 1249 – 2784 | 1706 – 2967 |
| Clear passage | 385 – 1318 | 1674 – 2935 | 1085 – 2620 | 1674 – 2935 |
| Traffic leaf division | | | 500 – 1425 | |
| Fixed leaf division | | | 500 – 1425 | |

| Size range | S / RS 300 S | |
|--|---|--------|
| | Width | Height |
| Overall frame dimension (ordering size) | Unlimited | 4500 |
| Maximum door height* | | 3001 |
| TRAV | | |
| Max. element size | Unlimited | 4500 |
| Min. pane size | 800 | 1000 |
| Max. pane size | Depending on glass type according to table 2 TRAV | |

* For combination of door (S / RS 100 S, S / RS 200 S) and fixed glazing (S / RS 300 S)

Clear passage Page 48

Fixed glazings

Design variations Page 49

All dimensions in mm

T30 steel fire and smoke protection elements N-Line HL 310, HL 320

Single and double-leaf doors

Main functions

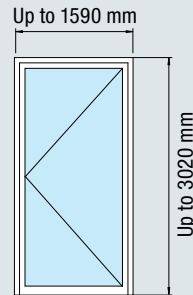
T30
Fire-retarding
RS
Smoke-tight
dB
Acoustic-rated

 Acoustic values from
34 – 42 dB

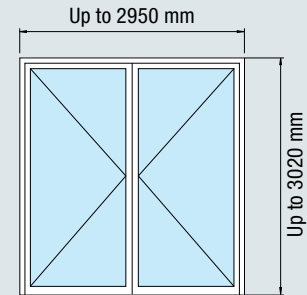
RC 2
Break-in-resistant

 HL 310
Up to 1540 x 2820 mm
HL 320
Up to 2940 x 2820 mm

HL 310



HL 320

**HL 310**
Version
Single-leaf door

Profile system
Steel N-Line

Viewed width
168

Depth
60

Bottom section height
84 / 150
HL 320
Version
Double-leaf door

Profile system
Steel N-Line

Viewed width
168

Depth
60

Bottom section height
84 / 150

Fitting in

| | HL 310 | HL 320 |
|----------------|--------|--------|
| Brickwork | ≥ 115 | ≥ 115 |
| Concrete | ≥ 100 | ≥ 100 |
| Gas concrete | ≥ 150 | ≥ 150 |
| Partition wall | ≥ 100 | ≥ 100 |

 Wall requirements based on size can be found in the fitting instructions at www.hoermann.com

| Size range | HL 310 | | HL 320 | |
|--|------------|-------------|-------------|-------------|
| | Width | Height | Width | Height |
| With fascia frame | | | | |
| Overall frame dimension (ordering size) | 605 – 1590 | 1740 – 3020 | 1355 – 2950 | 1740 – 3020 |
| Clear passage | 387 – 1372 | 1656 – 2936 | 1087 – 2682 | 1656 – 2936 |
| With steel frame | | | | |
| Nominal size (ordering size) | 499 – 1485 | 1687 – 2278 | 1249 – 2844 | 1687 – 2278 |
| Clear passage | 385 – 1371 | 1655 – 2246 | 1085 – 2680 | 1655 – 2246 |
| Traffic leaf division | | | 500 – 1445 | |
| Fixed leaf division | | | 500 – 1445 | |

Clear passage Page 48

 Fixed glazings Page 49
Design variations Page 49

F30 steel fire and smoke protection elements N-Line

HL 330, G 300

Fixed glazings

F30**Main functions****Fire-retarding**

HL 330

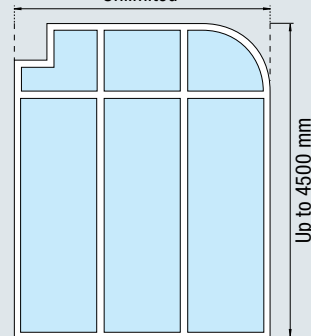
G30**Fire-retarding**

G 300

RS**Smoke-tight****dB****Acoustic-rated**Acoustic values
43 dB (HL 330)
31 dB (G 300)

HL 330

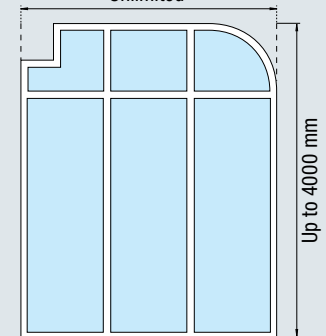
Unlimited



Up to 4500 mm

G 300

Unlimited



Up to 4000 mm

HL 330Version
Fixed glazingProfile system
Steel N-LineViewed width
84Depth
60Bottom section height
84 / 150**G 300**Version
Fixed glazingProfile system
Steel N-LineViewed width
84Depth
60Bottom section height
84 / 150**Fitting in**Brickwork ≥ 115 Concrete ≥ 100 Gas concrete ≥ 150 Partition wall ≥ 100 ≥ 115 ≥ 100 ≥ 150 ≥ 100 Wall requirements based on size can be found in the fitting instructions at www.hoermann.com

| Size range | HL 330 | | G 300 | |
|--|-----------|--------|-----------|---------------|
| | Width | Height | Width | Height |
| With fascia frame | | | | |
| Overall frame dimension (ordering size) | Unlimited | 4500 | Unlimited | 4000 |
| Maximum door height* | | 3020 | | Not available |

* For combination of door (HL 310, HL 320) and fixed glazing (HL 330)

University Medical Centre Hamburg-Eppendorf
Architect: Nickl & Partner Architekten AG, Munich, Berlin



Hörmann products

- T30 steel fire-rated and smoke-tight doors HL 310 / HL 320, partial automatic operation
- T30 steel fire and smoke-tight glazing HL 330 S
- Steel smoke-tight doors S / RS 100
- Steel fire and smoke-tight glazing S / RS 300

Steel smoke protection elements N-Line S / RS 100, S / RS 200, S / RS 300

Single and double-leaf doors, fixed glazing

RS

Main functions

Smoke-tight

dB

Acoustic-rated

Acoustic values from 32 – 42 dB

TRAV

Additional function

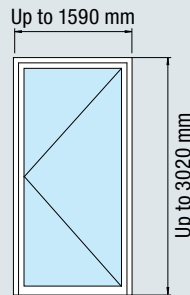
Anti-fall safeguard glazing

RC 2

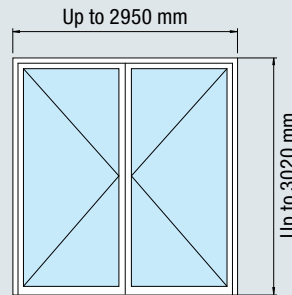
Break-in-resistant

S / RS 100
Up to 1540 × 2820 mm
S / RS 200
Up to 2940 × 2820 mm

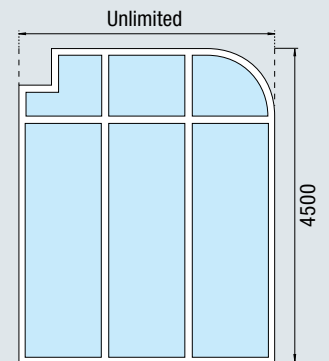
S / RS 100



S / RS 200



S / RS 300



| | S / RS 100 | S / RS 200 | S / RS 300 |
|------------------------------|------------------|------------------|---------------|
| Version | Single-leaf door | Double-leaf door | Fixed glazing |
| Profile system | Steel N-Line | Steel N-Line | Steel N-Line |
| Viewed width | 168 | 168 | 84 |
| Depth | 60 | 60 | 60 |
| Bottom section height | 84 / 150 | 84 / 150 | 84 / 150 |
| Fitting in | | | |
| Brickwork | ≥ 115 | ≥ 115 | ≥ 115 |
| Concrete | ≥ 100 | ≥ 100 | ≥ 100 |
| Gas concrete | ≥ 150 | ≥ 150 | ≥ 150 |
| Partition wall | ≥ 100 | ≥ 100 | ≥ 100 |

Wall requirements based on size can be found in the fitting instructions at www.hoermann.com

| Size range | S / RS 100 | | S / RS 200 | |
|--|------------|-------------|-------------|-------------|
| | Width | Height | Width | Height |
| With fascia frame | | | | |
| Overall frame dimension (ordering size) | 605 – 1590 | 1740 – 3020 | 1355 – 2950 | 1740 – 3020 |
| Clear passage | 387 – 1372 | 1656 – 2936 | 1087 – 2682 | 1656 – 2936 |
| With steel frame | | | | |
| Nominal size (ordering size) | 499 – 1432 | 1706 – 2967 | 1249 – 2784 | 1706 – 2967 |
| Clear passage | 385 – 1318 | 1674 – 2935 | 1085 – 2620 | 1674 – 2935 |
| Traffic leaf division | | | 500 – 1445 | |
| Fixed leaf division | | | 500 – 1445 | |

| Size range | S / RS 300 | |
|--|--|--------|
| | Width | Height |
| Overall frame dimension (ordering size) | Unlimited | 4500 |
| Maximum door height* | | 3020 |
| TRAV | | |
| Max. element size | Unlimited | 4500 |
| Min. pane size | 800 | 1000 |
| Max. pane size | Depending on glass type according to table 2 | |

* For combination of door (S / RS 100, S / RS 200) and fixed glazing (S / RS 300)

Clear passage Page 48

Fixed glazings

Design variations Page 49

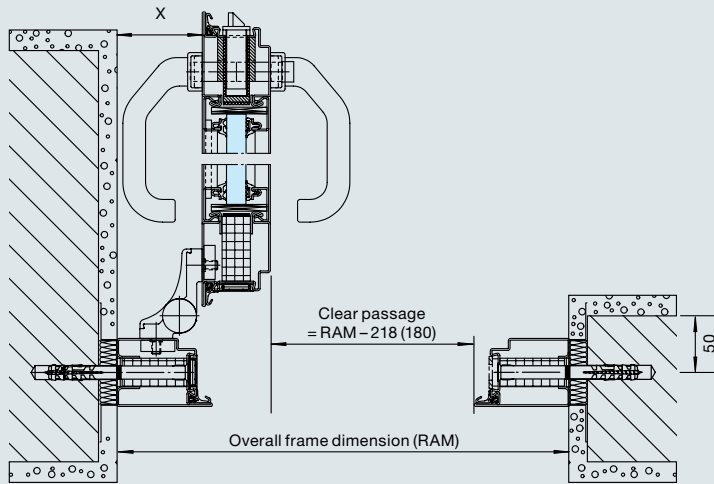
All dimensions in mm

Clear passage

With door leaf opened by 90° and without fittings

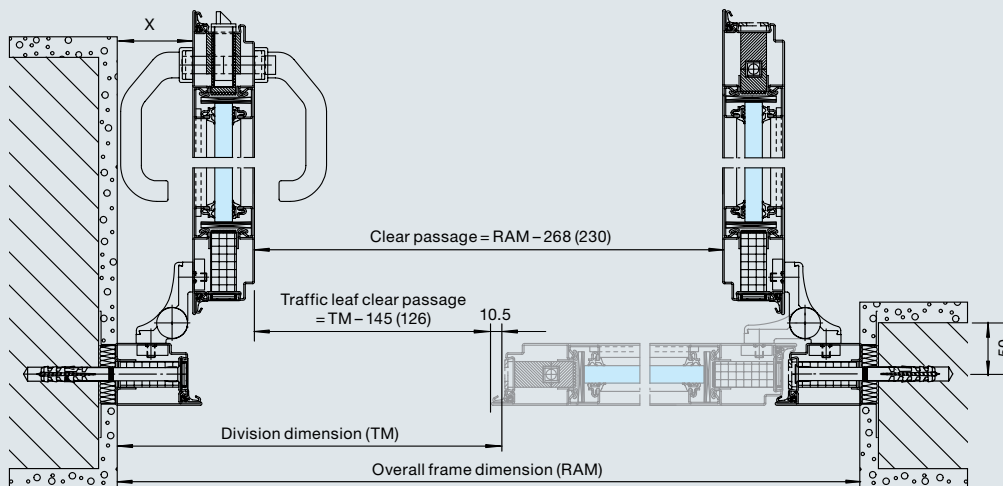
Single-leaf door

View of T30 steel fire and smoke-tight door N-Line, single-leaf with 3-way adjustable hinges with pivot point 20 mm. (S-Line)



Double-leaf door

View of T30 steel fire and smoke-tight door N-Line, double-leaf with 3-way adjustable hinges with pivot point 20 mm. (S-Line)



S-Line

| Hinge system | Single-leaf door | Double-leaf door, overall | Double-leaf door, traffic leaf | Distance leaf / wall (x) |
|---|------------------|---------------------------|--------------------------------|--------------------------|
| 3-way adjustable hinge, pivot point 20 mm | RAM - 180 | RAM - 230 | Division dimension - 126 | 56 |
| 3-way adjustable hinge, pivot point 36 mm | RAM - 196 | RAM - 262 | Division dimension - 142 | 72 |
| Guide roller, pivot point 12 mm | RAM - 179 | RAM - 227 | Division dimension - 125 | 54 |
| Concealed hinge, pivot point 9.5 mm | RAM - 140 | RAM - 150 | Division dimension - 85 | 15 |

N-Line

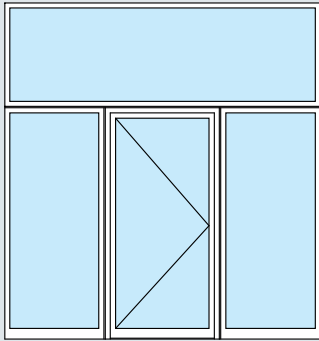
| Hinge system | Single-leaf door | Double-leaf door, overall | Double-leaf door, traffic leaf | Distance leaf / wall (x) |
|---|------------------|---------------------------|--------------------------------|--------------------------|
| 3-way adjustable hinge, pivot point 20 mm | RAM - 218 | RAM - 268 | Division dimension - 145 | 75 |
| 3-way adjustable hinge, pivot point 36 mm | RAM - 234 | RAM - 300 | Division dimension - 161 | 91 |
| Guide roller, pivot point 12 mm | RAM - 215 | RAM - 262 | Division dimension - 142 | 71 |
| Concealed hinge, pivot point 9.5 mm | RAM - 178 | RAM - 188 | Division dimension - 104 | 34 |

Fixed glazings

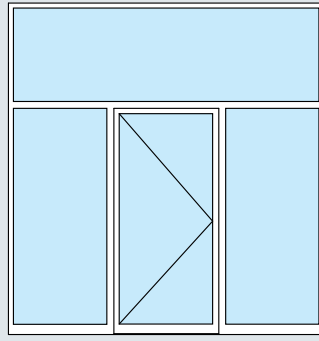
Design variations

Hörmann aluminium fire-rated doors are available either as a coupling construction for simple connection on location, or as complete elements with a vertical/horizontal profile construction. Thus they can be easily matched to the fitting situation at the construction site.

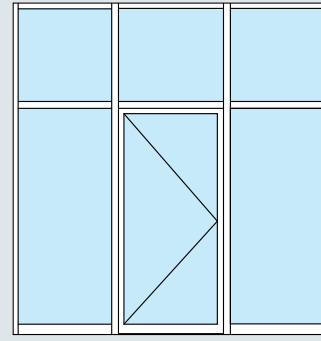
With the Hörmann plug-in system, the slim vertical/horizontal profile construction can also be assembled into walls of any size.



Coupling construction

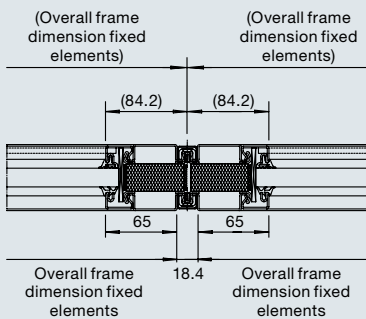


Vertical/horizontal profile construction as a complete element

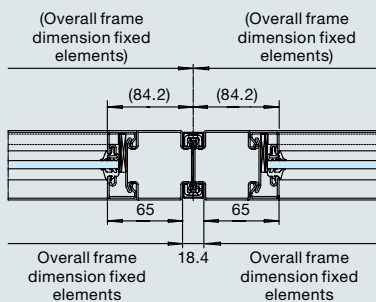


Vertical/horizontal profile construction as a plug-in system

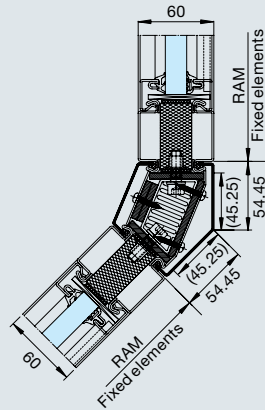
Coupling construction variants



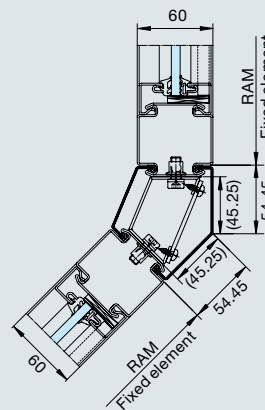
Steel S-Line F30 180° coupling (N-Line)



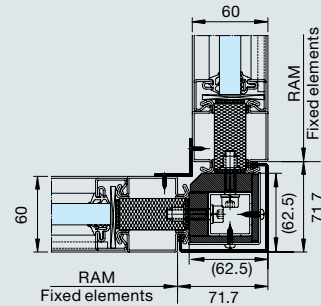
Steel S-Line RS/G30 180° coupling (N-Line)



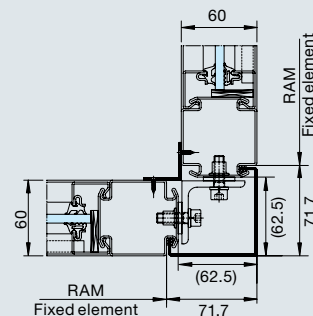
Steel S-Line F30 135° coupling (N-Line)



Steel S-Line RS/G30 135° coupling (N-Line)



Steel S-Line F30 90° coupling (N-Line)



Steel S-Line RS/G30 90° coupling (N-Line)

All dimensions in mm

T90 / F90 steel fire and smoke protection elements HL 910 F, HL 920 F, HL 930 F

Single and double-leaf doors, fixed glazing

NEW

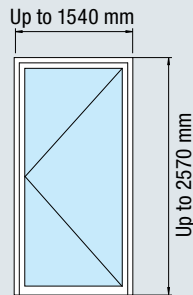


Main functions**T90****Fire-proof**HL 910 F
HL 920 F**F90****Fire-proof**

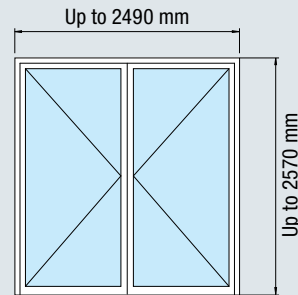
HL 930 F

RS**Smoke-tight**

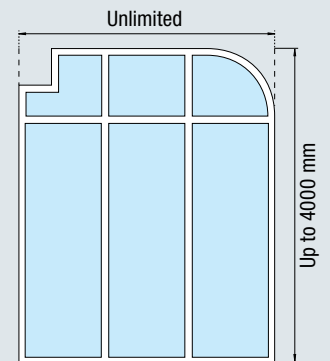
HL 910 F



HL 920 F



HL 930 F



| | HL 910 F | HL 920 F | HL 930 F |
|------------------------------|------------------|------------------|---------------|
| Version | Single-leaf door | Double-leaf door | Fixed glazing |
| Profile system | Steel | Steel | Steel |
| Viewed frame width | 70 | 70 | 70 |
| Depth | 70 | 70 | 70 |
| Bottom section height | 90 | 90 | 90 |
| Fitting in | | | |
| Brickwork | ≥ 175 | ≥ 175 | ≥ 175* |
| Concrete | ≥ 140 | ≥ 140 | ≥ 140 |
| Gas concrete | ≥ 240 | ≥ 240 | ≥ 240 |
| Partition wall | ≥ 100 | ≥ 100 | ≥ 100 |

Wall requirements based on size can be found in the fitting instructions at www.hoermann.com

* Overall frame dimension height > 2600 mm: minimum wall thickness ≥ 240 mm

| Size range | HL 910 F | | HL 920 F | |
|--|------------|-------------|-------------|-------------|
| | Width | Height | Width | Height |
| With fascia frame | | | | |
| Overall frame dimension (ordering size) | 700 – 1540 | 1725 – 2570 | 1400 – 2490 | 1725 – 2570 |
| Clear passage | 560 – 1400 | 1655 – 2500 | 1260 – 2350 | 1655 – 2500 |

| Size range | HL 930 F | |
|--|-----------|--------|
| | Width | Height |
| Overall frame dimension (ordering size) | Unlimited | 4000** |
| Maximum door height** | | 2570 |

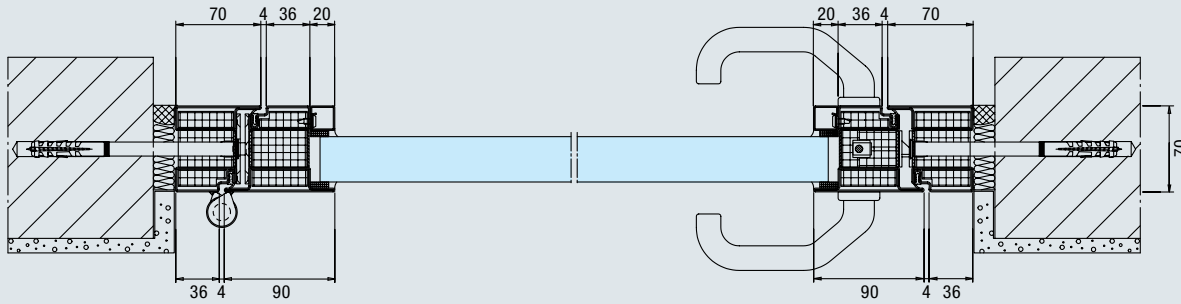
** For combination of door (HL 910 F, HL 920 F) and fixed glazing (HL 930 F)

All dimensions in mm

T90 / F90 steel fire and smoke protection elements

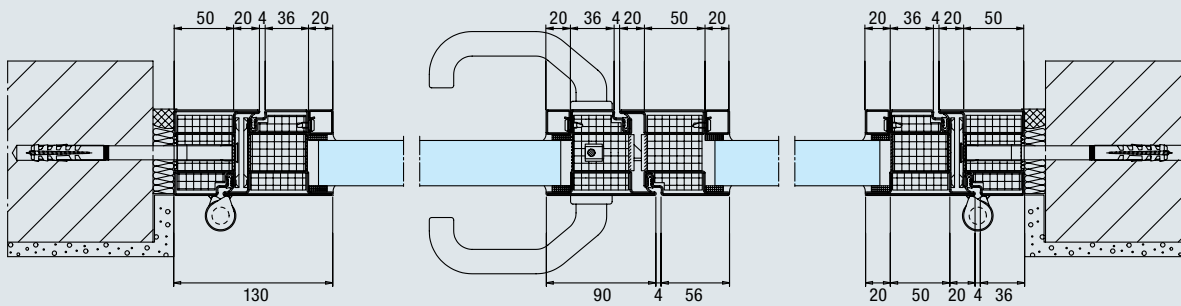
System overview

Single-leaf door with fascia frame



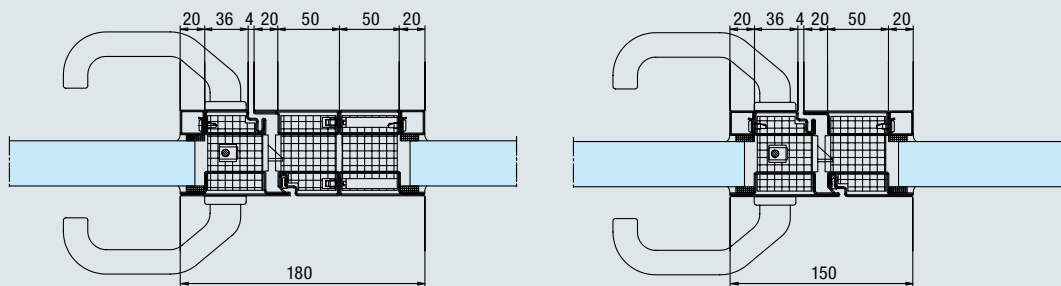
View of T90 steel

Double-leaf door with fascia frame



View of T90 steel

Fixed glazing



Door / fixed element coupled

Door / fixed element vertical profile construction

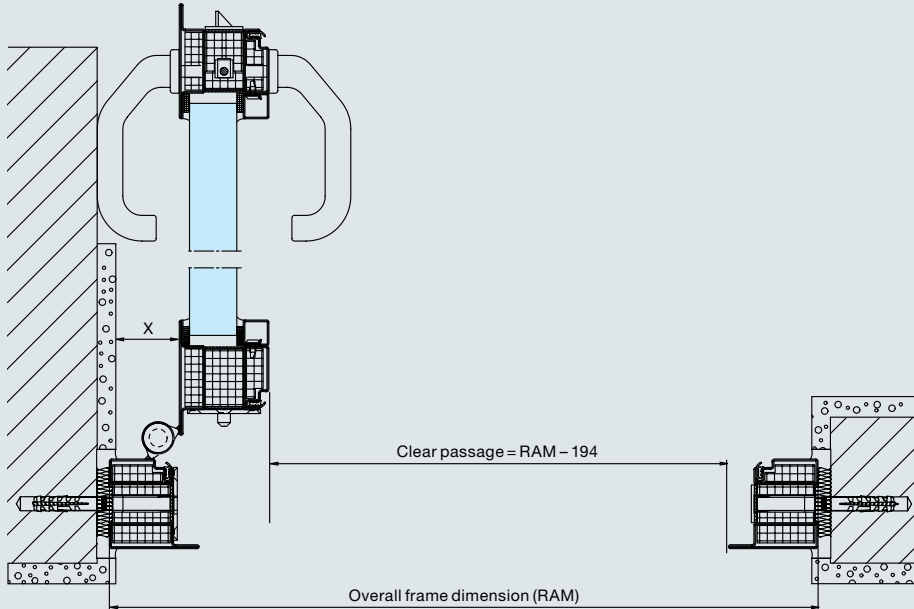
View of T90 steel

Clear passage

With door leaf opened by 90° and without fittings

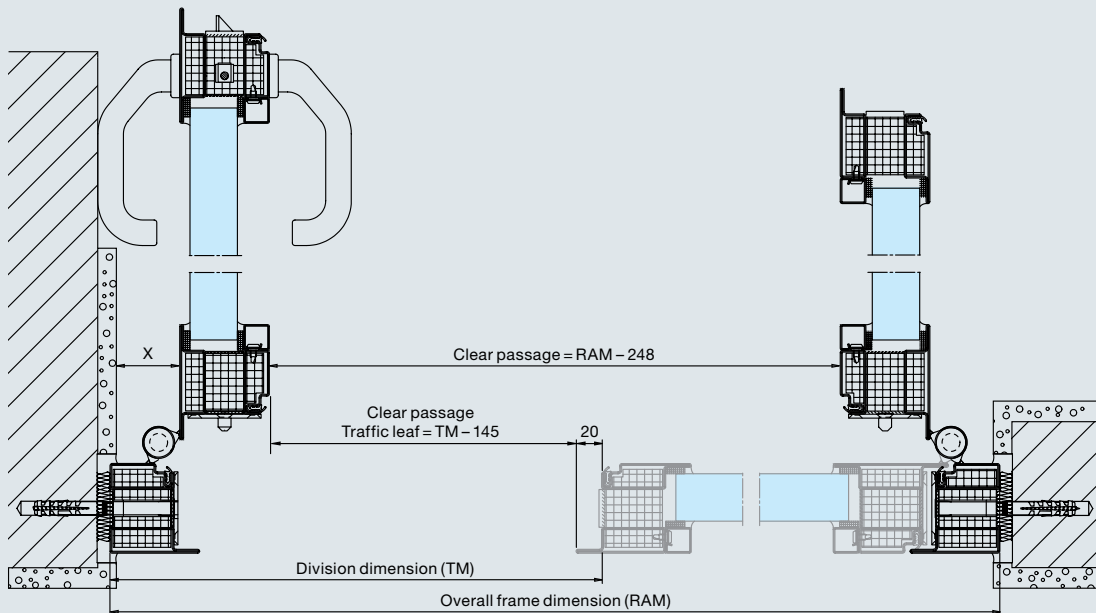
Single-leaf door

View of T90 steel fire and smoke-tight door, single-leaf with guide roller, pivot point 17 mm



Double-leaf door

View of T90 steel fire and smoke-tight door, double-leaf with guide roller, pivot point 17 mm



| Hinge system | Single-leaf door | Double-leaf door, overall | Double-leaf door, traffic leaf | Distance leaf / wall (x) |
|---|------------------|---------------------------|--------------------------------|--------------------------|
| 3-way adjustable hinge, pivot point 20 mm | $RAM - 196$ | $RAM - 252$ | Division dimension - 146 | 66 |
| 3-way adjustable hinge, pivot point 36 mm | $RAM - 212$ | $RAM - 284$ | Division dimension - 162 | 82 |
| Guide roller, pivot point 17 mm, fitting by welding | $RAM - 194$ | $RAM - 248$ | Division dimension - 145 | 65 |