



NEW
*Decograin surface finishes Dark Oak
and Titan Metallic CH 703*



Side Sliding Sectional Door

Unhindered access with full passage height



Hörmann brand quality

Top safety and reliability



“A good reputation must be earned.” (August Hörmann)

In line with the founder’s philosophy, the Hörmann brand today is a true promise of quality. The family-owned company has over 75 years of experience in door and operator construction and, with sales of over 20 million doors, is no. 1 in Europe. This makes a Hörmann side sliding sectional door a reassuring purchase.



Brand quality “Made in Germany”

All doors and operator components are developed and manufactured by Hörmann, are perfectly matched to each other and tested and certified by independent, recognised institutes to ensure your safety. They are manufactured in Germany according to the DIN ISO 9001 quality management system and fulfil all the requirements of European standard 13241-1. Furthermore, our highly qualified employees work intensively on new products, continual further developments and improvements to details. Patents and unique products on the market are the result of this.



Garage doors for generations

Endurance tests under real conditions ensure mature series products with Hörmann quality. Thanks to this, as well as excellent technical solutions and uncompromising quality assurance, you receive a 10-year warranty on all Hörmann side sliding sectional doors and a 5-year warranty on Hörmann operators.*



An eye on the future

Hörmann is setting a good example. This is why, since 2013, the company has obtained 40 % of its required energy from green sources and will continue to increase this percentage. At the same time, many tonnes of CO₂ are saved each year thanks to the introduction of an intelligent and certified energy management system. And last but not least, Hörmann offers products for sustainable construction. Find out more about Hörmann’s activities to protect the environment in the brochure “We think green”.

* The complete warranty conditions can be found at: www.hoermann.com

Good reasons to try Hörmann

Innovations from the market leader



1

Light, quiet, precise

Twin rollers

42-mm-thick panels with PU foam infill are guided safely and precisely at the top by stable twin rollers and at the bottom in a rounded floor rail. The floor rail is easy to clean, as it is open on both ends.

2

Reliable

Finger trap protection inside and outside

Optimally shaped door section transitions and hinges prevent fingers from being accidentally trapped.

Double automatic safety cut-out

The reliable automatic safety cut-out is active during both the opening and the closing cycle of the door. The door stops immediately if there is an obstacle in the opening zone or in the wall guide. This prevents injuries and damage to vehicles or property.

Automatic wicket door function can be operated via the door handle



3

Automatic

Into your garage faster

Side sliding sectional doors can also be opened partially to allow pedestrians to pass. This lets you get into your garage faster, without the need for the whole door to be open.

More convenient with automatic partial opening

The passage width can be individually set in doors with an operator. The door is operated via the hand transmitter or the optional door handle with radio module.

For further information, please see page 13.

4

Convenient

The modern radio system for garage door and entrance gate operators

Our bi-directional, high-security BiSecur radio system is based on future-oriented technology that allows you to conveniently and safely operate garage doors, entrance gates, lights and much more.



Take a look at the video at:
www.hoermann.com/videos



Double-skinned sandwich panels

Standard thermal insulation and a wide variety of surface finishes

42-mm sandwich panels

The 42-mm-thick, PU-foamed sandwich panels are characterised by excellent acoustic and thermal insulation, in addition to good door leaf stability and smooth running.



Woodgrain



Traffic white RAL 9016



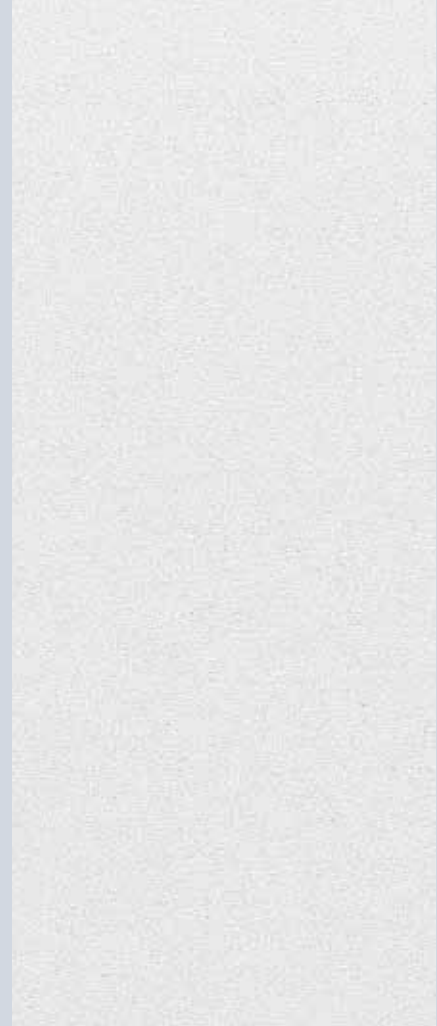
15 preferred colours

On this inexpensive, robust surface with an authentic sawn timber look, the texturing allows minor scratches to be easily repaired.

Door styles

S-ribbed
M-ribbed
Panelled

Sandgrain // **NEW**



Traffic white RAL 9016



3 preferred colours

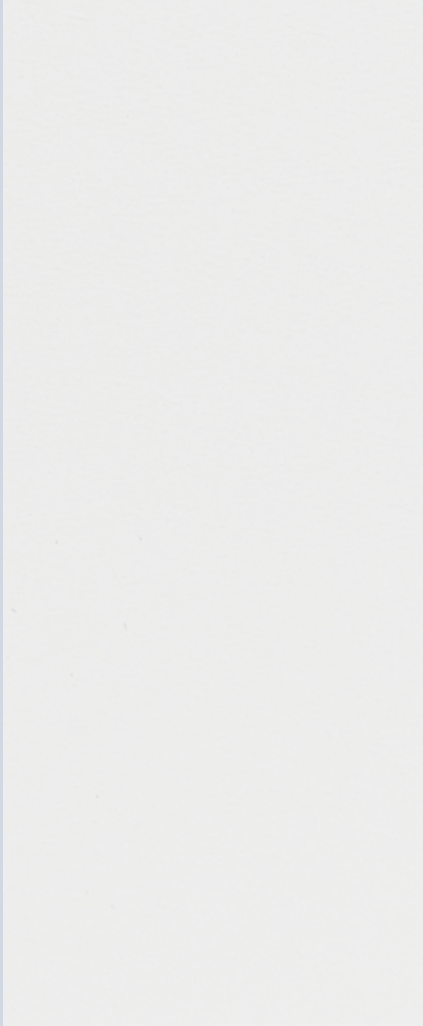
This finely structured surface is an ideal choice for price-conscious owners and is particularly suited for modern architecture.

Door styles

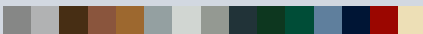
M-ribbed
L-ribbed

**50 % thicker external sheet
for Silkgrain surface finishes**

Silkgrain // **NEW**



Traffic white RAL 9016



15 preferred colours

Thanks to its elegant appearance, the silky smooth Silkgrain surface finish is the first choice for modern architecture. A 50 % thicker external sheet on the sections also ensures higher stability and even smoother running.

Door styles

M-ribbed
L-ribbed

Decograin decors



Golden Oak



3 decors

Decograin surface finishes with UV-resistant plastic film coating give your sectional door a striking and authentic timber look or an elegant metallic appearance in anthracite.

Door styles

M-ribbed
L-ribbed
Panelled



Performance characteristics according to European standard 13241-1

Thermal insulation

Section	U = 0.5 W/(m ² ·K)
Fitted door*	U = 1.9 W/(m ² ·K)

Sealing

Air	Class 0
Water	Class 0

Wind load	Class 3
------------------	---------

* The U-value applies to fitted doors without glazing with the dimensions: 5000 × 2125 mm

The elegance of the side sliding sectional door

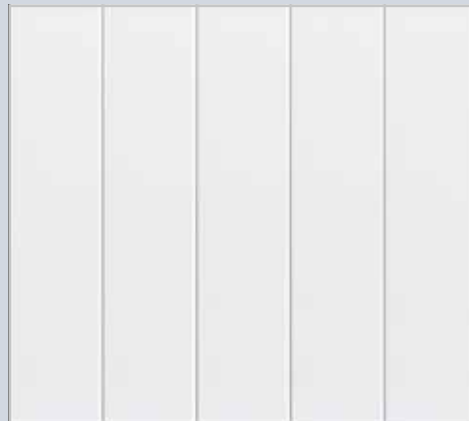
In three styles



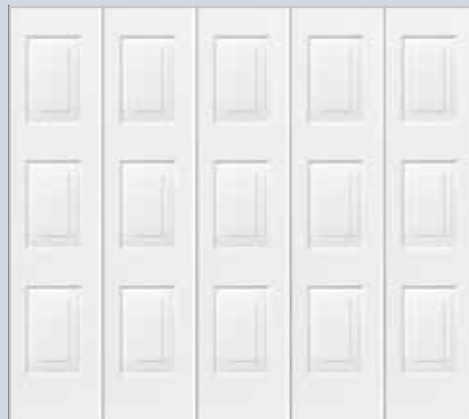
**With an optimally matched operator system
or as a manually operated door**



M-ribbed



L-ribbed



Panelled

M-ribbed

Woodgrain

Traffic white RAL 9016
15 preferred colours

Sandgrain // NEW

Traffic white RAL 9016
3 preferred colours

Silkgrain // NEW

Traffic white RAL 9016
15 preferred colours

Decograin

Golden Oak, Dark Oak,
Titan Metallic CH 703

Max. size

Width 6500 mm
Height 3000 mm

L-ribbed

Sandgrain // NEW

Traffic white RAL 9016
3 preferred colours

Silkgrain // NEW

Traffic white RAL 9016
15 preferred colours

Decograin

Golden Oak, Dark Oak,
Titan Metallic CH 703

Max. size

Width 6500 mm
Height 3000 mm

Panelled

Woodgrain

Traffic white RAL 9016
15 preferred colours

Decograin

Golden Oak, Dark Oak

Max. size

Width 6500 mm
Height 3000 mm

The example styles show doors with the dimensions 2500 x 2125 mm. The following pages illustrate all of the colours, technical data can be found from page 20 onwards.

Colours, decor surface finishes

It's your choice

**As standard in
inexpensive Traffic white**

15 equally-priced preferred colours

Double-skinned side sliding sectional doors come as standard in Traffic white RAL 9016, as well as in an additional 15 inexpensive preferred colours. The new Sandgrain surface finish is available in 3 preferred colours*.

The surfaces are perfectly protected against rust. Rain runs off without leaving any streaky marks thanks to the use of hot-galvanized material and a high-quality polyester-primer coating on both sides. A grey haze from air pollution is largely prevented.

Decograin surface finishes

Decograin is available in two natural-looking timber designs and with an anthracite metallic effect. An embossed wood grain gives it an authentic timber character. The door remains beautiful for a long time thanks to the special surface protection of the UV-resistant plastic film coating on the outside of the steel sections.

Side sliding sectional doors are generally supplied in Grey white, RAL 9002, on the interior of the door.


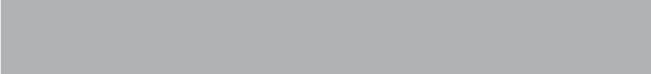




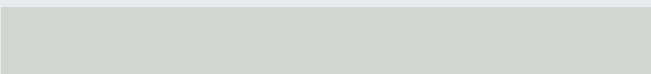

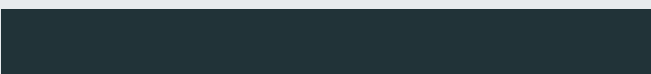
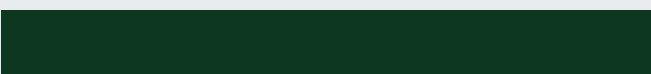


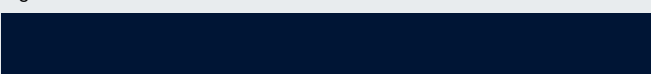

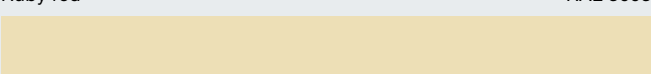
Dark colours should not be used for double-skinned steel doors that are exposed to the sun, as possible section deflection may restrict the door's function.

All colours based on RAL.

The colours and surfaces shown are subject to the limitations of the printing process and cannot be regarded as binding. Please seek the expert advice of your Hörmann specialist dealer.

* Preferred colours for Sandgrain surface finish

15 preferred colours

	Grey aluminium	RAL 9007
	White aluminium*	RAL 9006
	Terra brown*	RAL 8028
	Clay brown	RAL 8003
	Ochre brown	RAL 8001
	Window grey	RAL 7040
	Light grey	RAL 7035
	Stone grey	RAL 7030
	Anthracite grey*	RAL 7016
	Fir green	RAL 6009
	Moss green	RAL 6005
	Pigeon blue	RAL 5014
	Steel blue	RAL 5011
	Ruby red	RAL 3003
	Light ivory	RAL 1015

3 Decograin surface finishes



Decograin Golden Oak: medium-brown, golden-yellow oak decor



Decograin Dark Oak: walnut-coloured oak decor



Titan Metallic CH 703: anthracite with a metallic effect // **NEW from autumn 2014**

Glazings and handles

It's your choice

3 glazings



Glazing S0



Glazing S1



Glazing S2

The glazings for the top door area are available with a synthetic double pane, either clear or crystal structure. The frames are white as standard and can also be delivered optionally in the colour of the door.

The colours and surfaces shown are subject to the limitations of the printing process and cannot be regarded as binding. Please seek the expert advice of your Hörmann specialist dealer.

4 handle colours



White aluminium (RAL 9006)



Traffic white (RAL 9016)



Brown



Brushed stainless steel

Door handle positions



Standard door handle position for M-ribbed and L-ribbed



Door handle position for intermediate width for M-ribbed and L-ribbed



Door handle position for panels

Manually operated doors are supplied as standard with a handle in White aluminium. Three other colours are optionally available. The same versions are also available for automatic doors with automatic wicket door function.

Automatic wicket door function can be operated via the door handle

Automatic wicket door function for doors with operators

Individual partial opening

The passage width can be easily set on the operator. For example, a narrow passage for persons or a wider passage for bikes, motorcycles or wheelbarrows.

Easy operation

A brief actuation of the handle and the door automatically moves into the set position. Actuating the handle again closes the door.



Integrated lockable handle with full radio internal push button functions

Two buttons and a sliding switch on the interior side of the handle allow you to:

- [1] Completely open and close the door
- [2] Operate the wicket door function
- [3] Switch off the radio signal (away setting)



Hörmann BiSecur

A modern radio system for your home



Convenient querying of the door position

You no longer have to go out in all kinds of weather to check that your garage door is closed. At the press of a button, the colour of the LED on the HS 5 BS hand transmitter indicates the position of the door. Press the button again to close the door.

Note: An additional photocell is required if the door is operated out of view.

BiSecur Gateway and smartphone app // NEW

With the app and Hörmann Gateway, you can conveniently control your Hörmann garage door or entrance gate operators, Hörmann entrance door* and other devices using your smartphone or tablet.

Tested and certified

The newly developed, extremely secure BiSecur encryption protocol makes sure that no-one can copy your radio signal. Tested and certified by security experts at the Bochum University and as safe as online banking.

Award-winning design

In addition to a black or white design, BiSecur hand transmitters are characterised by an elegant shape that fits easily in the palm of your hand.

Hörmann's BiSecur hand transmitters with a high-gloss surface in a piano lacquer look have been awarded a design prize by an international jury.



Take a look at the video at:
www.hoermann.com/videos



reddot design award
honourable mention 2011

* With special equipment

Two operator variants

Safe both day and night
with automatic door locking



SupraMatic

The supra-fast operator with many additional functions.

Opening speed:

Approx. 12 to 18 cm/s**

Push and pull force: 650 N

Peak force: 800 N

Door width: up to 6500 mm

- 5-button hand transmitter HS 5 BS (black textured surface)
- Querying the door position
- Low power consumption in standby of less than 1 watt
- Extremely easy programming by entering a two-digit number
- Halogen lighting can be switched on / off separately
- Double automatic safety cut-out in the open and close direction
- Adjustable wicket door opening



ProMatic

The good-value starter model as an introduction to Hörmann's premium quality.

Opening speed:

Approx. 8 to 10 cm/s**

Pull and push force: 600 N

Peak force: 750 N

Door width: up to 3000 mm

- 2-button hand transmitter HSE 2 BS (black textured surface)
- Double automatic safety cut-out in the open and close direction
- Adjustable wicket door opening



* The complete warranty conditions can be found at: www.hoermann.com

** Depending on the door width of the side sliding sectional door

Mobile radio accessories

For every situation



[1]

[2]

Hand transmitter

HS 5 BS

4 button functions

plus query button,

[1] High-gloss black or white

[2] Black textured surface **// NEW**



[3]

[4]

[5]

Hand transmitter

HS 4 BS

4 button functions,

[3] high-gloss black

Hand transmitter

HS 1 BS

1 button function,

[4] high-gloss black

Hand transmitter

HSE 1 BS **// NEW**

1 button function,

incl. eyelet for key ring

[5] High-gloss black



[6]

[7]

Hand transmitter

HSE 2 BS

2 button functions,

incl. eyelet for key ring

[6] High-gloss black or white

[7] High-gloss green, purple,

yellow, red, orange

(Shown from left to right)

[8] Black textured surface with chrome or plastic caps **// NEW**

[9] Decors in silver, carbon,

light rootwood, light timber,

dark timber, dark rootwood

(Shown from left to right)



[8]

[9]



reddot design award
honourable mention 2011



**Hand transmitter
HSD 2-A BS**

Aluminium look,
2 button functions,
can also be used as a key ring

HSD 2-C BS

High-gloss chrome,
2 button functions,
can also be used as a key ring



**Radio code switch
FCT 3 BS**

For 3 functions,
with illuminated buttons



**Radio code switch
FCT 10 BS**

For 10 functions,
with illuminated buttons
and protective cover



**Hand transmitter
HSP 4 BS**

4 button functions,
with button lock-out,
incl. key ring



**Hand transmitter
HSZ 1 BS**

1 button function,
for insertion in vehicle
cigarette lighter

HSZ 2 BS

2 button functions,
for insertion in vehicle
cigarette lighter



**Radio finger-scan
FFL 12 BS**

For 2 functions and
up to 12 fingerprints



**Radio internal push button
FIT 2**

For 2 operators
or operator functions



**Key switch
STUP 40 / STAP 40**

In a recessed version and
surface-mounted version,
including 3 keys

Convincing technology

With an optimally matched operator system
or as a manually operated door



Easily fitted

The frame of the side sliding sectional door is easy to screw together and can subsequently be fastened completely to the garage wall. Fitting in tight areas with only 140 to 450 mm sideroom is made possible with the DS track application (see the illustration on the left) with double side guide rails.



Precise door travel

Twin rollers **[1]** made of wear-resistant plastic move reliably and precisely on the aluminium rail and prevent the door sections from jumping out. They also make the door move quietly and easily, making it a breeze to operate the door by hand as well. Stable connecting hinges on the rollers and between the PU-foamed 42-mm-thick sections ensure good door leaf stability.



Well-sealed

Flexible and weather-resistant seals **[2]** on the sides and in the lintel area of the door frame, as well as between the individual sections and at the bottom edge, also provide for good door sealing. The side seal optimally fills the door gap with a large-sized profile lip.



Securely locked

The bottom and top door guides close the door precisely. Two additional hooks **[3]** on the side of the door firmly connect the end of the door leaf to the side frame. This mechanical lock is also practical for preventing the door from being forced open.

To improve break-in resistance, manually operated doors can be optionally equipped with 3-point locking at the closing edge.



Well-guided

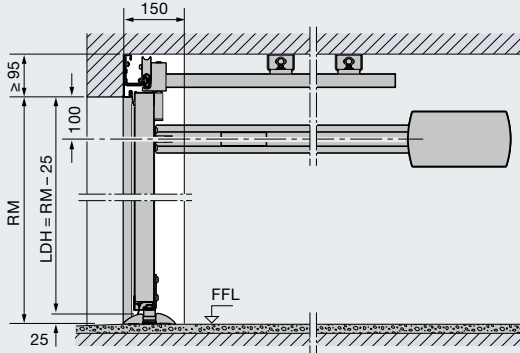
The aluminium floor rail **[4]** reliably guides the door sections and prevents the sections from swivelling out. A flat design of only 25 mm makes it easy to drive in and out. It is easy to clean out dirt and leaves from the rail, as it is open on the ends.



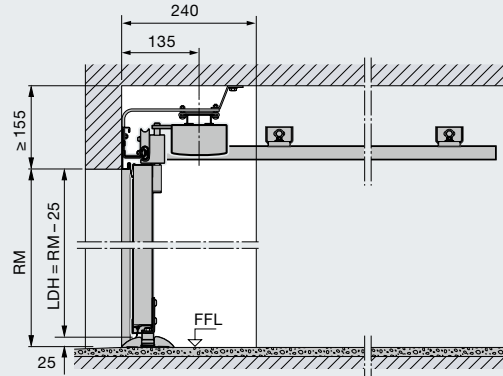
Space requirement and fitting dimensions

For side sliding sectional doors with ES or DS track application

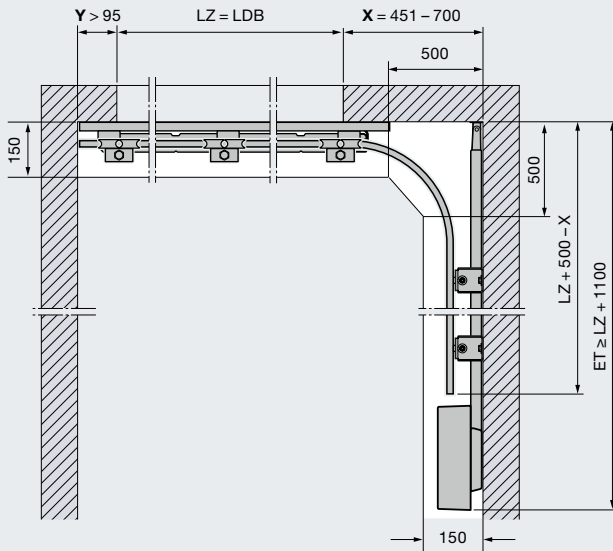
Fitting dimensions (operator wall fitting)



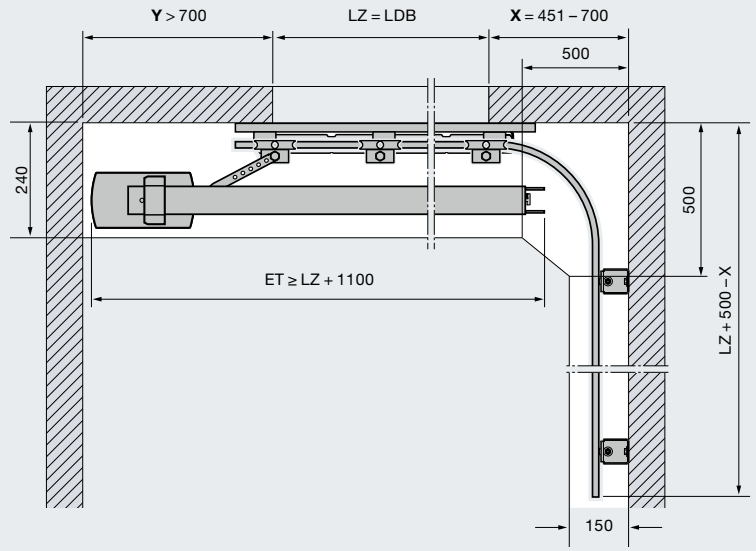
Fitting dimensions (operator ceiling fitting)



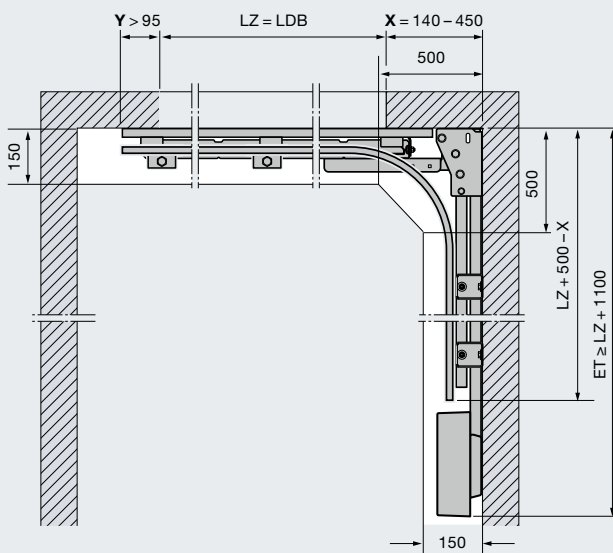
ES track application (single track) – operator wall fitting



ES track application (single track) operator ceiling fitting A



DS track application (double track) – operator wall fitting



ES track application (single track) operator ceiling fitting B

