

T30 / EI₂30 fire-rated door STS 30 / STU 30

Single- and double-leaf, flush, glued over the entire surface



STS 30
Flush



STU 30
Thick rebate

T30

Main function
T30/EI₂30
Fire-retarding

EI₂30

U_D

Thermally insulated
 $U_D = 1.3 - 2.5 \text{ W}/(\text{m}^2 \cdot \text{K})$
For doors without
glazing or top parts.
Dependent on door size.

RS

Smoke-tight
With retractable
bottom seal
(without top panel)

Sm

dB

Acoustic-rated
Up to 32 dB
with retractable
bottom seal

Up to 42 dB with
double rebate frame

WK 2

Break-in-resistant
WK 2 (STU 30)

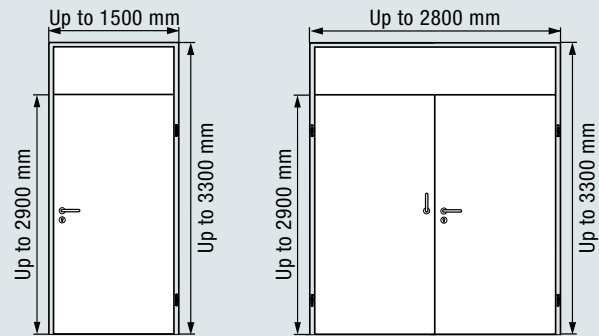
WK 3

Break-in-resistant
WK 3 (STU 30)

Optional extras

Frame types Page 14

Glazing variants Page 28



The size information is related to the overall frame dimension (block frame).

Fire-rated door

Door leaf

Single-leaf

62 mm

Double-leaf

62 mm

Sheet thickness

1.0 mm

1.0 mm

Rebate type

STS 30:

Flush

STU 30:

Thick rebate

STS 30:

Flush

STU 30:

Thick rebate

Fitting in

Brickwork	≥ 115 mm	≥ 115 mm
Concrete	≥ 100 mm	≥ 100 mm
Gas concrete	≥ 200 mm	≥ 200 mm
Partition walls	≥ 100 mm	≥ 100 mm
Cladded steel columns / girders	≥ F60 A	≥ F60 A

STS 30 / STU 30	Single-leaf		Double-leaf	
	Width	Height	Width	Height
Size range***				
Overall frame dimension (ordering size) block frame	615 – 1500	1745 – 2900	1129** – 2800	1745 – 2900
With fixed top panel		1845 – 3300		1845 – 3300
Top panel height		300 – 1000		300 – 1000
Steel frame nominal size	545 – 1380	1710 – 2840	1059** – 2680	1710 – 2840
Clear passage dimension*	505 – 1300	1690 – 2800	1019** – 2600	1690 – 2800
Traffic leaf clear passage dimension*			511** – 1309	

* With an opening angle of 90° and without fittings, the clear passage width is reduced by 57 mm (STS) or 29 mm (STU), for double-leaf doors by 114 mm (STS) or 58 mm (STU).

** Depending on the selected overhead door closer, larger minimum door dimensions may be required!

*** Larger door sizes are available on request.

All information in accordance with approval and technical feasibility.

Actual dimensions may differ depending on the door frame type, depth, or width-height ratio.

All dimensions in mm

T30 / EI₂30 stainless steel fire-rated door STS 30 / STU 30

Single- and double-leaf, flush, glued over the entire surface



STS 30
Flush



STU 30
Thick rebate

Main function
T30 / EI₂30
Fire-retarding

T30

EI₂30

U_D

Thermally insulated
 $U_D = 1.3 - 2.5 \text{ W}/(\text{m}^2 \cdot \text{K})$
For doors without
glazing or top parts.
Dependent on door size.

Additional functions
(with corresponding
equipment,
see pages 8 – 9)

RS

Smoke-tight
With retractable
bottom seal
(without top panel)

Sm

dB

Acoustic-rated
Up to 32 dB
with retractable
bottom seal

Up to 42 dB with
double rebate frame

WK 2

Break-in-resistant
WK 2 (STU 30)

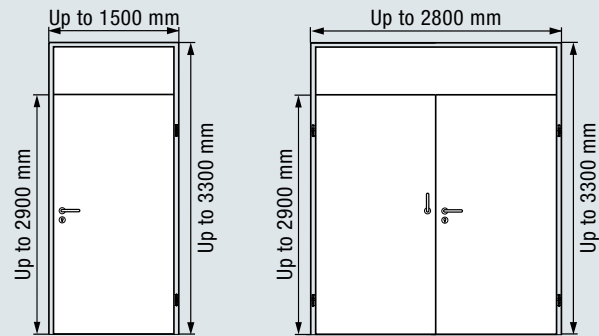
WK 3

Break-in-resistant
WK 3 (STU 30)

Optional extras

Frame types Page 14

Glazing variants Page 28



The size information is related to the overall frame dimension (block frame).

Stainless steel fire-rated door

Door leaf

Single-leaf

Double-leaf

Sheet thickness

Min. 0.80 mm

Min. 0.80 mm

Rebate type

STS 30:
Flush
STU 30:
Thick rebate

STS 30:
Flush
STU 30:
Thick rebate

Fitting in

Brickwork	≥ 115 mm	≥ 115 mm
Concrete	≥ 100 mm	≥ 100 mm
Gas concrete	≥ 200 mm	≥ 200 mm
Partition walls	≥ 100 mm	≥ 100 mm
Cladded steel columns / girders	≥ F60 A	≥ F60 A

STS 30 / STU 30	Single-leaf		Double-leaf	
	Width	Height	Width	Height
Size range***				
Overall frame dimension (ordering size) block frame	615 – 1500	1745 – 2900	1129** – 2800	1745 – 2900
With fixed top panel		1845 – 3300		1845 – 3300
Top panel height		300 – 1000		300 – 1000
Steel frame nominal size	545 – 1380	1710 – 2840	1059** – 2680	1710 – 2840
Clear passage dimension*	505 – 1300	1690 – 2800	1019** – 2600	1690 – 2800
Traffic leaf clear passage dimension*			511** – 1309	

* With an opening angle of 90° and without fittings, the clear passage width is reduced by 57 mm (STS) or 29 mm (STU), for double-leaf doors by 114 mm (STS) or 58 mm (STU).

** Depending on the selected overhead door closer, larger minimum door dimensions may be required!

*** Larger door sizes are available on request.

All information in accordance with approval and technical feasibility.

Actual dimensions may differ depending on the door frame type, depth, or width-height ratio.

All dimensions in mm

21