



# Garage Side Sliding Sectional Doors

Technical Manual: Issue 01.06.2014



# Table of Contents

Contents	Page
Door type / door leaf	3
HST, M-ribbed, Woodgrain	4
HST, M-ribbed, Sandgrain, Silkgrain, Decograin	5
HST, L-ribbed, Sandgrain, Silkgrain, Decograin	6
HST, S-panelled, Woodgrain	7
HST, S-panelled, Decograin	8
ES track application – Operator wall fitting	9
DS track application – Operator wall fitting, small sideroom X	10
ES track application – Operator ceiling fitting A	11
ES track application – Operator ceiling fitting B	12
ES track application – Operator ceiling fitting B sliding door	13
Details	14

Door leaf constructions and track applications as well as fitting examples are provided in this manual.

Before fitting a sectional door, the structural opening must be finished and the garage floor must be laid and level.

No part may be reproduced without our prior permission.

All rights reserved.

All dimensions in mm.

Subject to design changes.

Door type	Door leaf
<b>Side sliding sectional door HST – Double-skinned steel sections</b>	
<ul style="list-style-type: none"> <li>• <b>M-ribbed Woodgrain, Sandgrain, Silkgrain or Decograin</b></li> </ul>	<ul style="list-style-type: none"> <li>• Double-skinned, PU-foamed door sections, Woodgrain, Sandgrain, Silkgrain, or Decograin exterior, Stucco-textured interior</li> <li>• Door sections with identical width, vertically ribbed, manufactured from hot-galvanized sheet steel</li> <li>• Surface with polyester-primer coating (with Decograin, plastic film coating on the outside)</li> <li>• Glazing possible in the top door section</li> <li>• Ventilation grille possible in the bottom door section</li> </ul>
<ul style="list-style-type: none"> <li>• <b>L-ribbed Sandgrain, Silkgrain or Decograin</b></li> </ul>	<ul style="list-style-type: none"> <li>• Double-skinned, PU-foamed door sections, Sandgrain, Silkgrain or Decograin exterior, Stucco-textured interior</li> <li>• Door sections with identical width, not ribbed, manufactured from hot-galvanized sheet steel</li> <li>• Surface with polyester-primer coating</li> <li>• Glazing possible in the top door section</li> <li>• Ventilation grille possible in the bottom door section</li> </ul>
<ul style="list-style-type: none"> <li>• <b>S-panelled Woodgrain or Decograin</b></li> </ul>	<ul style="list-style-type: none"> <li>• Double-skinned, PU-foamed door sections, Woodgrain or Decograin-embossed exterior, Stucco-textured interior</li> <li>• Panelled door sections with identical width, manufactured from hot-galvanized sheet steel</li> <li>• Surface with polyester-primer coating (with Decograin, plastic film coating on the outside)</li> <li>• Glazing possible in the top door section</li> <li>• Ventilation grille possible in the bottom door section</li> </ul>

For further details, see the brochure.






# HST Side Sliding Sectional Door


## L-ribbed

### Sandgrain, Silkgrain or Decograin

#### External views

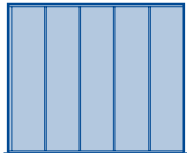
(The illustrations correspond to size 2500 x 2125 mm. Deviations may occur with other sizes.)

 Size range in which an operator ProMatic can be used.

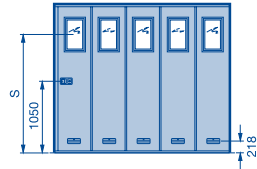
 Size range in which an operator SupraMatic is required.

#### Standard sizes

##### Basic model



##### With glazing S0, S1, S2

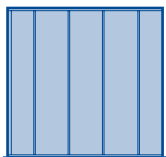


Intermediate heights in 5 mm grid, intermediate widths are not possible.

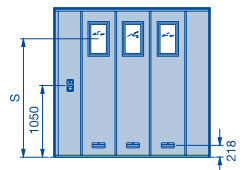
Grid height														S														
	3000														2658													
2875															2487													
2750															2382													
2625															2281													
2500															2156													
2375															1995													
2250															1845													
2205															1821													
2125															1731													
2080															1708													
2000															1668													
1875															-													
	4				5			6		7		8		9		10		11		12		13	Number of door sections, glazing type S, ventilation grille					
	500	520	531	550	562	475	500	525	550	479	500	520	468	500	468	500	531	500	475	500	525	500		475	500	525	500	
	2000	2080	2125	2205	2250	2375	2500	2625	2750	2875	3000	3125	3275	3500	3750	4000	4250	4500	4750	5000	5250	5500	5700	6000	6300	6500		
	Grid width																											

#### Special sizes

##### Basic model



##### With glazing S0, S1, S2



Intermediate heights possible in 5 mm grid, intermediate widths in 1 mm grid.

Grid height														S														
	3000														2658													
2875														2487														
2750														2382														
2625														2281														
2500														2156														
2375														1995														
2250														1845														
2205														1821														
2125														1731														
2080														1708														
2000														1668														
1875														-														
1800														-														
	4				5			6		7		8		9		10		11		12		13	No. of door sections					
	2		3			4		5		6		7		8		9		10		11								
	500	520	531	550	562	475	500	525	550	479	500	520	468	500	468	500	531	500	475	500	525	500	475	500	525	500	525	
	1776	1901	1981	2026	2101	2151	2276	2401	2526	2651	2776	2901	3021	3176	3401	3651	3901	4151	4401	4651	4901	5151	5401	5601	5901	6201	6401	
	Intermediate width																											


# HST Side Sliding Sectional Door


S-panelled

Woodgrain

## External views

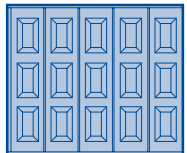
(The illustrations correspond to size 2500 x 2125 mm. Deviations may occur with other sizes.)

 Size range in which an operator ProMatic can be used.

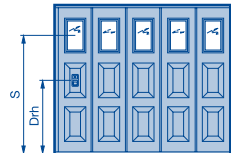
 Size range in which an operator SupraMatic is required.

## Standard sizes

### Basic model



### With glazing S0, S1, S2



Intermediate heights in 5 mm grid, intermediate widths are not possible.

Grid height																										K	S	Drh															
	3000																											4	2658	1155													
2875																												4	2487	1129													
2750																												4	2382	1081													
2625																												4	2281	1031													
2500																												4	2156	989													
2375																												3	1995	1219													
2250																												3	1845	1156													
2205																												3	1821	1134													
2125																												3	1731	1093													
2080																												3	1708	1071													
2000																												3	1668	1031													
	4				5				6				7				8				9				10				11				12				13				Number of door sections, glazing type S		
	500	520	531	550	562	475	500	525	550	479	500	520	468	500	468	500	531	500	475	500	525	500	475	500	525	500	475	500	525	500	Door section height												
	2000	2080	2125	2205	2250	2375	2500	2625	2750	2875	3000	3125	3275	3500	3750	4000	4250	4500	4750	5000	5250	5500	5700	6000	6300	6500	K	Number of panels															
	Grid width																									Drh	Lever height																


# HST Side Sliding Sectional Door


S-panelled

Decograin

## External views

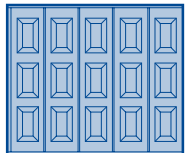
(The illustrations correspond to size 2500 x 2125 mm. Deviations may occur with other sizes.)

 Size range in which an operator ProMatic can be used.

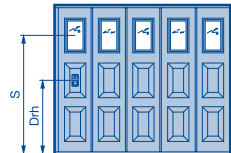
 Size range in which an operator SupraMatic is required.

## Standard sizes

### Basic model



### With glazing S0, S1, S2



Intermediate heights in 5 mm grid, intermediate widths are not possible.

Grid height																										K	S	Drh		
	3000																											4	2658	1155
2875																												4	2487	1129
2750																												4	2382	1081
2625																												4	2281	1031
2500																												4	2156	989
2375																												3	1995	1219
2250																												3	1845	1156
2205																												3	1821	1134
2125																												3	1731	1093
2080																												3	1708	1071
2000																												3	1668	1031
																										Number of door sections, glazing type S				
	4				5					6			7		8		9		10		11		12		13	Door section height				
	500	520	531	550	562	475	500	525	550	479	500	520	468	500	468	500	531	500	475	500	525	500	475	500	525	500				
	2000	2080	2125	2205	2250	2375	2500	2625	2750	2875	3000	3125	3275	3500	3750	4000	4250	4500	4750	5000	5250	5500	5700	6000	6300	6500	K	Number of panels		
																										Drh	Lever height			



# HST Side Sliding Sectional Door

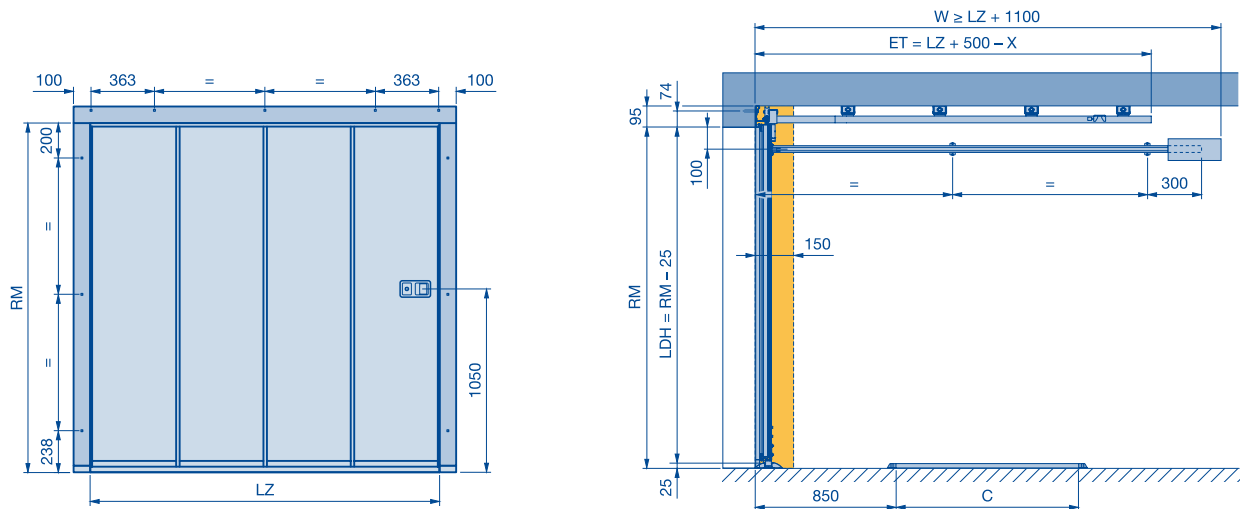
## ES track application

### Operator wall fitting

(The illustrations correspond to size 2250 x 2125 mm. Deviations may occur with other sizes.)

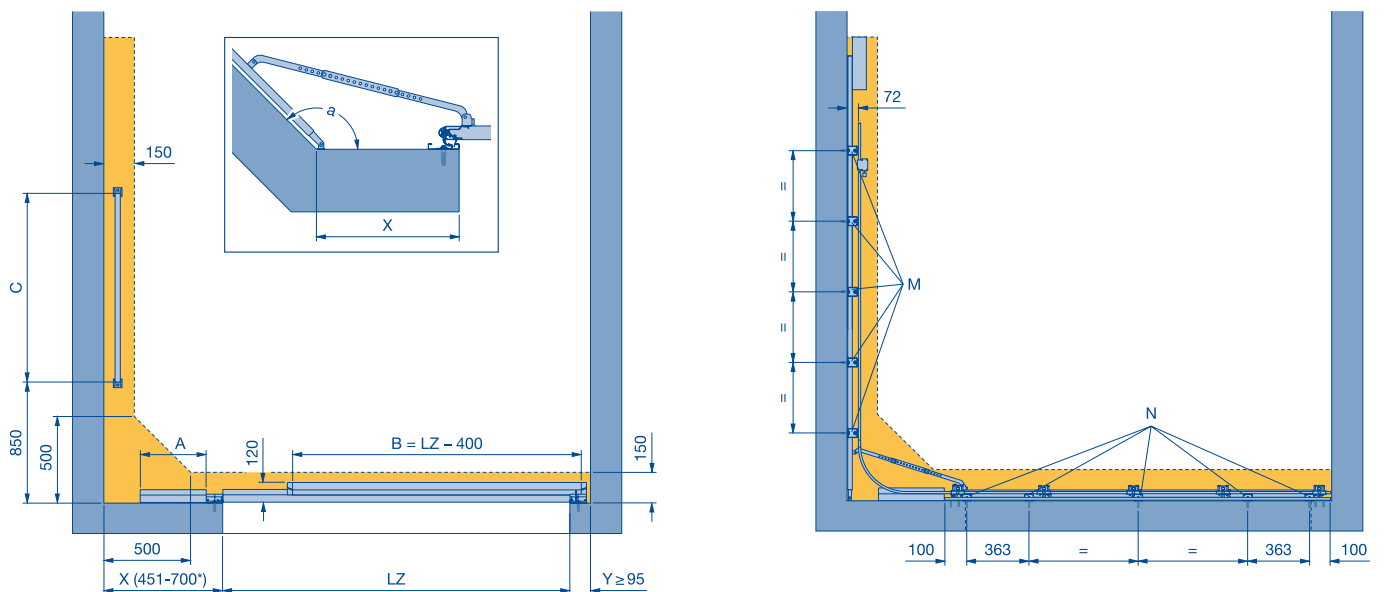
**Note:**

The clearance for fitting and subsequent operation of the door must be complied with.



Floor rail view

Track view



A = length of short floor rail	
$451 \leq X \leq 605$	A = 300
$605 < X \leq 900$	A = X - 305

B = length of inner floor rail	
$X \leq 700$	B = LZ - 400
$X > 700$	B = LZ + 130

C = length of side floor rail	
$LZ \leq 4000$	C = 1500
$LZ > 4000$	C = 2800

Side fastening	
LZ	M
1776 - 2374	5
2375 - 2999	6
3000 - 3499	7
3500 - 3999	8
4000 - 4499	9
4500 - 4999	10
5000 - 5249	11
5250 - 5999	12
6000 - 6500	14

Top frame fastening	
LZ	N
1776 - 2249	5
2250 - 2624	6
2625 - 3124	7
3125 - 3999	8
4000 - 4499	9
4500 - 4999	10
5000 - 5249	11
5250 - 5749	12
5750 - 6500	14

Curve angle [a]	Max. X
135°	458
130°	497
125°	531
120°	561
115°	587
110°	612
105°	635
100°	657
95°	697
90°	700

\* X values > 700 to 900 possible for doors without operator  
 \* X values > 900 possible for doors without operator with the "HST reveal depth extension" set



# HST Side Sliding Sectional Door

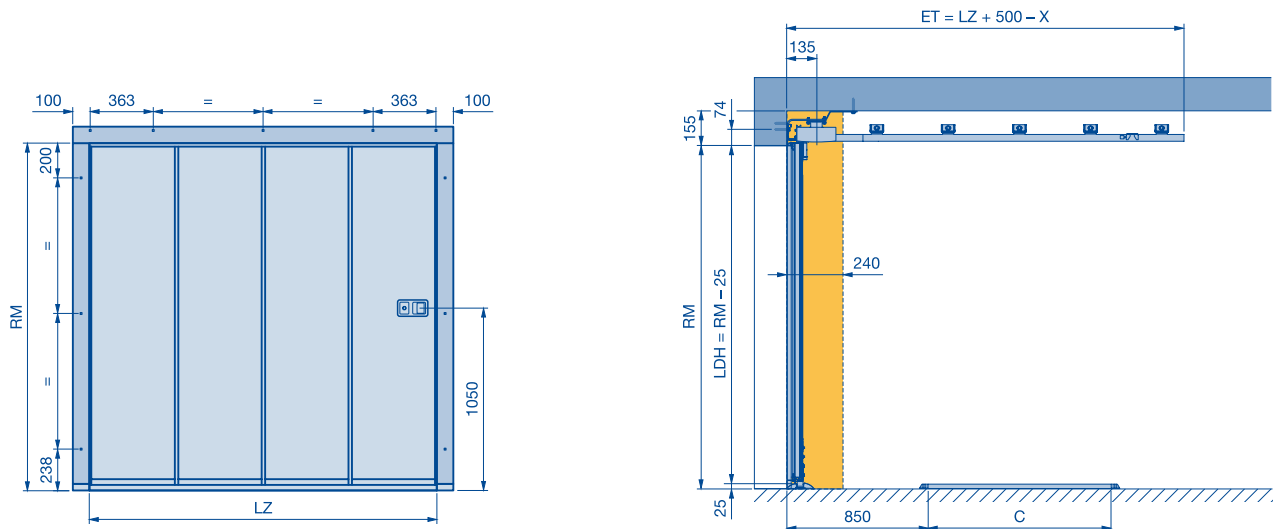
## ES track application

### Operator ceiling fitting A

(The illustrations correspond to size 2250 x 2125 mm. Deviations may occur with other sizes.)

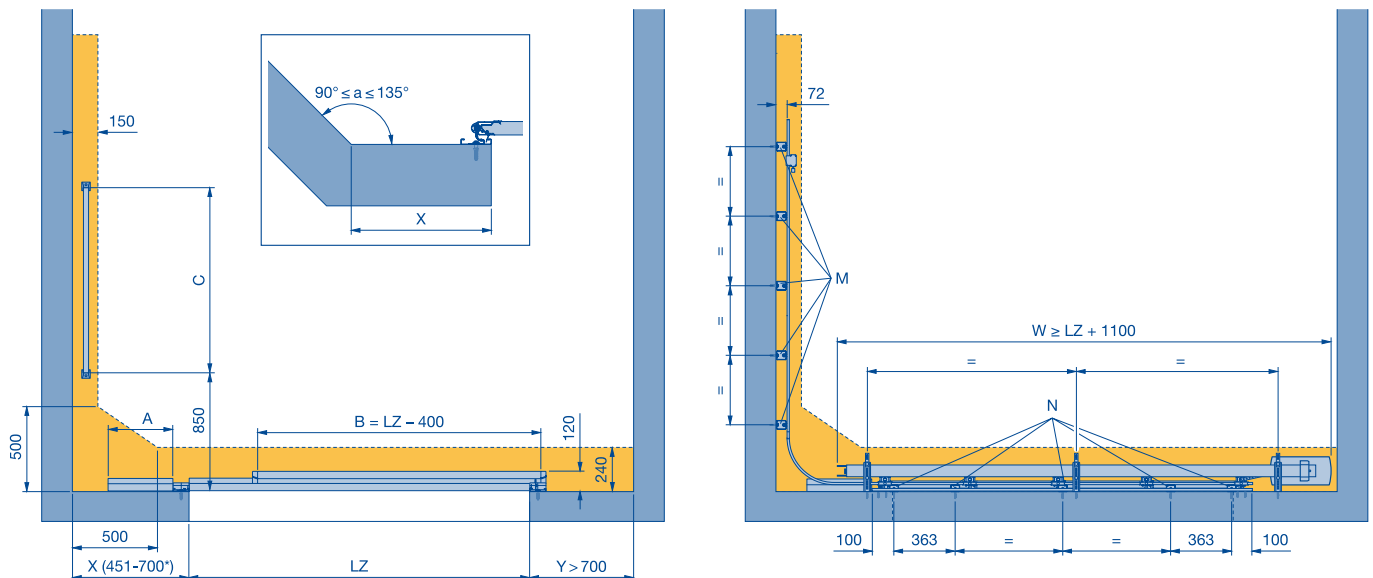
**Note:**

The clearance for fitting and subsequent operation of the door must be complied with.



Floor rail view

Track view



A = length of short floor rail	
451 ≤ X ≤ 605	A = 300
605 < X ≤ 900	A = X - 305

B = length of inner floor rail	
X ≤ 700	B = LZ - 400
X > 700	B = LZ + 130

C = length of side floor rail	
LZ ≤ 4000	C = 1500
LZ > 4000	C = 2800

Side fastening		
LZ	M	
1776 - 2374	5	
2375 - 2999	6	
3000 - 3499	7	
3500 - 3999	8	
4000 - 4499	9	
4500 - 4999	10	
5000 - 5249	11	
5250 - 5999	12	
6000 - 6500	14	

Top frame fastening		
LZ	N	
1776 - 2249	5	
2250 - 2624	6	
2625 - 3124	7	
3125 - 3999	8	
4000 - 4499	9	
4500 - 4999	10	
5000 - 5249	11	
5250 - 5749	12	
5750 - 6500	14	

\* X values > 900 possible with "HST reveal depth extension" set

# HST Side Sliding Sectional Door

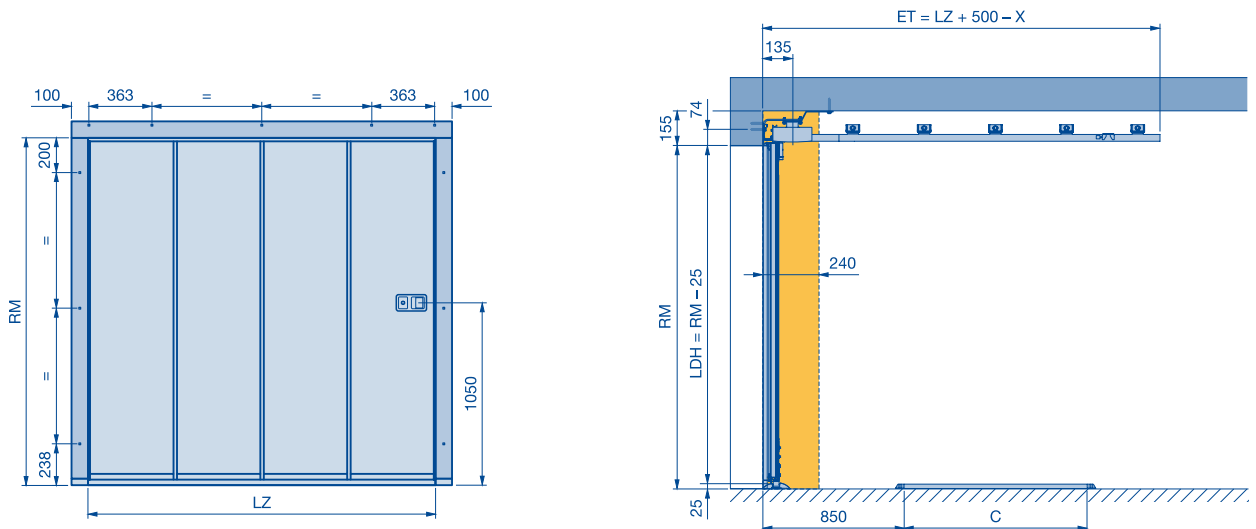
## ES track application

### Operator ceiling fitting B

(The illustrations correspond to size 2250 x 2125 mm. Deviations may occur with other sizes.)

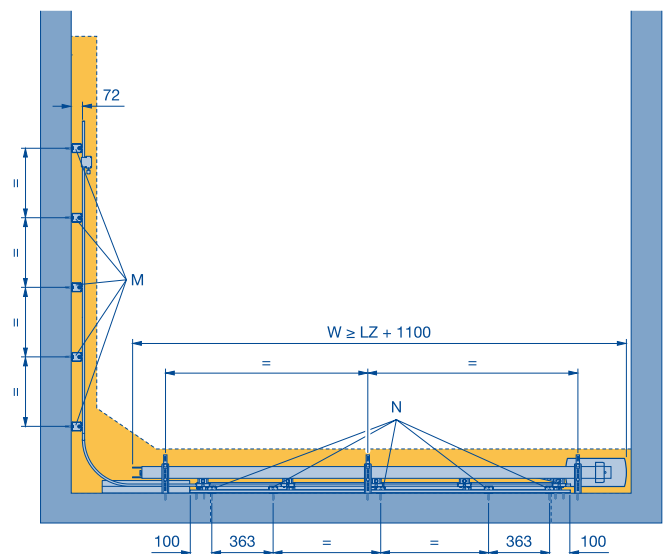
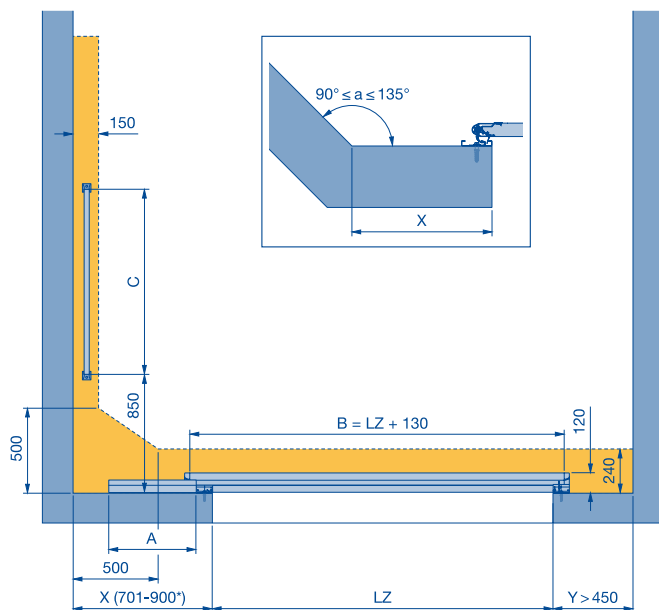
**Note:**

The clearance for fitting and subsequent operation of the door must be complied with.



Floor rail view

Track view



A = length of short floor rail	
451 ≤ X ≤ 605	A = 300
605 < X ≤ 900	A = X - 305

B = length of inner floor rail	
X ≤ 700	B = LZ - 400
X > 700	B = LZ + 130

C = length of side floor rail	
LZ ≤ 4000	C = 1500
LZ > 4000	C = 2800

Side fastening		
LZ	M	
1776 - 2374	5	
2375 - 2999	6	
3000 - 3499	7	
3500 - 3999	8	
4000 - 4499	9	
4500 - 4999	10	
5000 - 5249	11	
5250 - 5999	12	
6000 - 6500	14	

Top frame fastening		
LZ	N	
1776 - 2249	5	
2250 - 2624	6	
2625 - 3124	7	
3125 - 3999	8	
4000 - 4499	9	
4500 - 4999	10	
5000 - 5249	11	
5250 - 5749	12	
5750 - 6500	14	

\* X values > 900 possible with "HST reveal depth extension" set

# HST Side Sliding Sectional Door

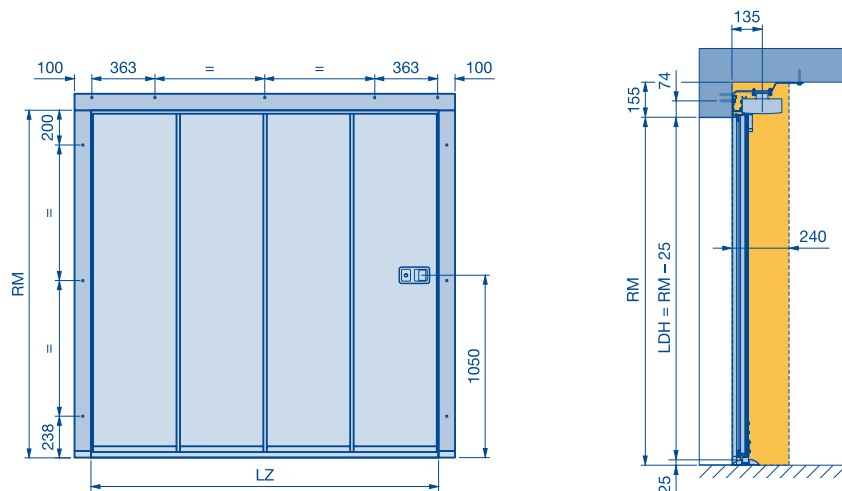
## ES track application

### Operator ceiling fitting B sliding door

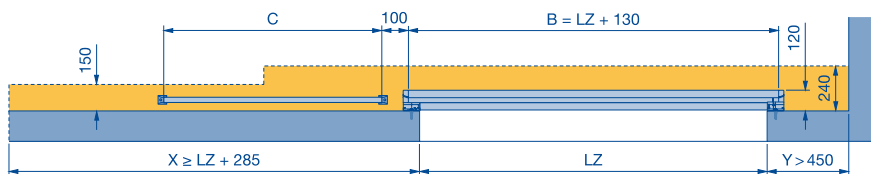
(The illustrations correspond to size 2250 x 2125 mm. Deviations may occur with other sizes.)

**Note:**

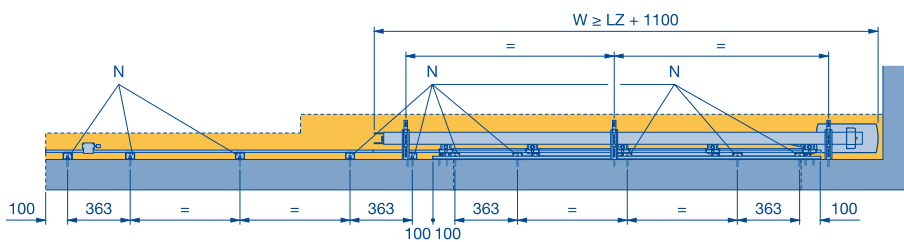
The clearance for fitting and subsequent operation of the door must be complied with.



**Floor rail view**



**Track view**



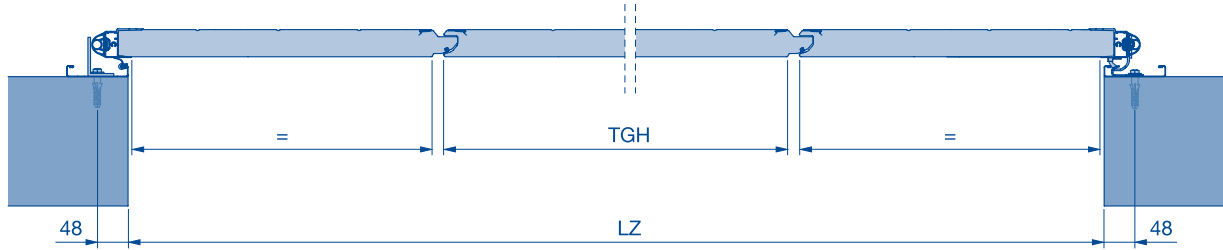
C = length of side floor rail	
LZ ≤ 4000	C = 1500
LZ > 4000	C = 2800

Top frame fastening	
LZ	N
1776 – 2249	10
2250 – 2624	12
2625 – 3124	14
3125 – 3999	16
4000 – 4499	18
4500 – 4999	20
5000 – 5249	22
5250 – 5749	24
5750 – 6500	28

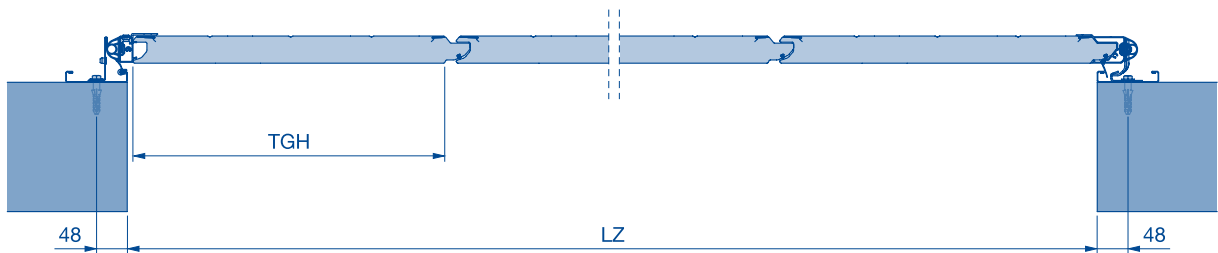
# HST Side Sliding Sectional Door

## Details

Door in intermediate width

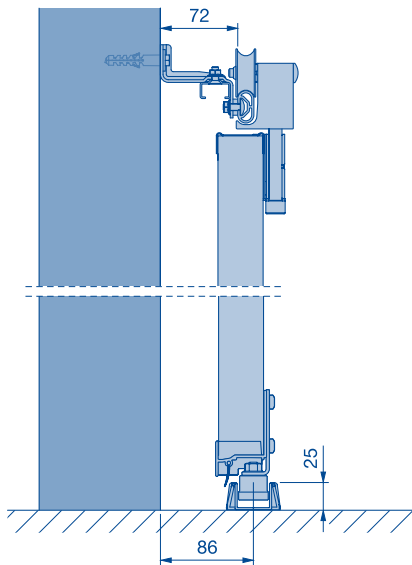


Door in grid width



Side wall

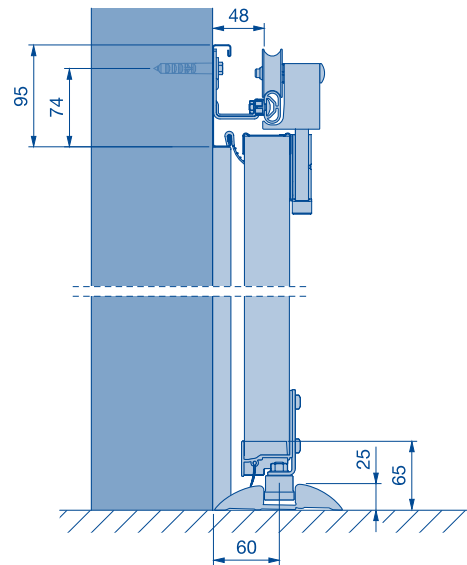
Top edge



Bottom edge

Front wall

Top edge



Bottom edge

Bottom edges with drainage (EW)

