

# We make summer

## Residential Parasols



MEZZO

DACAPO



## MAY – a Family Enterprise

In 1983, Anton May and his wife Gertrud May set up a small family business called MAY Gerätebau GmbH. Thanks to an ardent entrepreneurial spirit, a sense of creativity and an intuitive feel for innovation, MAY quickly became a well-established trade name on the market. The company now offers jobs for more than 140 employees in rural Upper Swabia, South Germany.

Anton May has, meanwhile, passed the business on to his two sons, Karl-Heinz and Klaus-Peter May, who successfully run the family enterprise, combining tradition with modern management.

**T**he secret of success is to satisfy a customer's needs

- innovative
- flexible
- upmarket

MAY – shade systems  
Made in Germany



*Anton May, company founder*



*Klaus-Peter May  
Graduate engineer (FH)  
Graduate business administrator (BA)*



*Karl-Heinz May  
Industrial mechanic  
Graduate industrial engineer (FH)*

# MAY – Your Specialist for Parasols

For over 30 years MAY has been a leading trade name for premium parasols. Right from the start, the company has resolutely pursued a policy of transferring creative concepts into technical solutions. The result: multi-purpose parasols, used and proven in all kinds of weather, day by day, worldwide. The experience gained by our long-time employees has contributed to the consistently high standard of all our company objectives – from the manufacturing process to customer service.

Satisfied customers and the pleasure of mutually carving a way to success – that is what motivates us anew every day. Please, allow yourself some time for this catalogue and enjoy the year outdoors with our parasols.

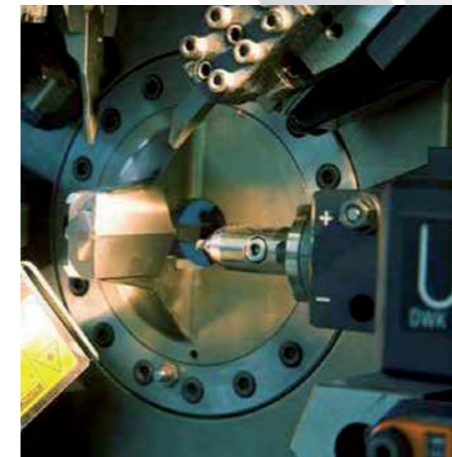
*CAD construction of the mechanism of a MAY parasol*



It's the small details that make a great difference.

- designed in Germany
- manufactured in Germany
- tried and proven in the whole world

**MAY – shade systems  
Made in Germany**



*Precision work in the CNC centre*



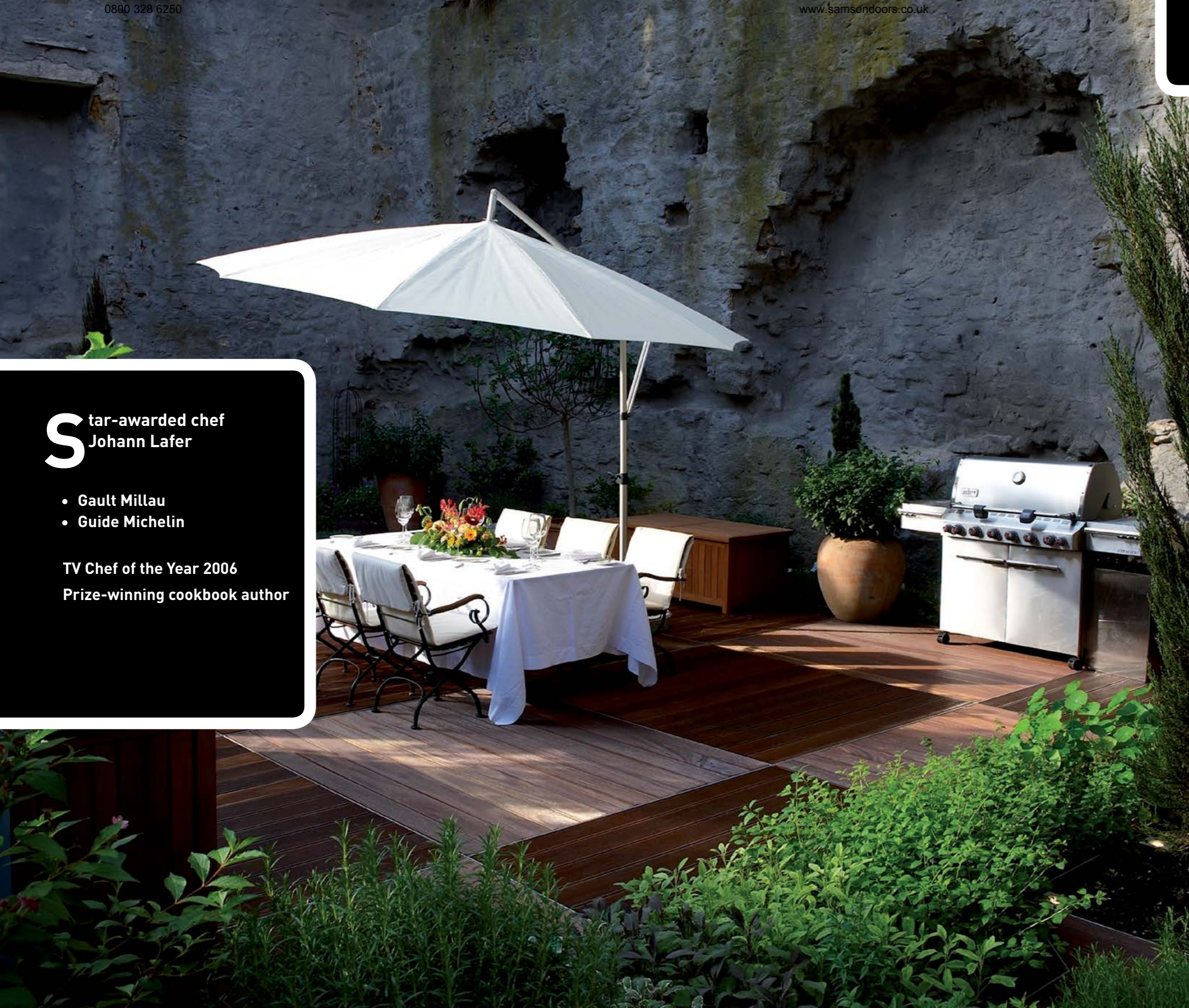
*Designing at a CAD work station*



*Cutting out accurately to a tenth of a millimetre using state-of-the-art computer technology*



*Sewing with finest handcraft*



**S**tar-awarded chef  
Johann Lafer

- Gault Millau
- Guide Michelin

TV Chef of the Year 2006  
Prize-winning cookbook author



Johann Lafer

Klaus-Peter May





**T**he easy-to-handle side-post parasol

- optimal adjustability
- ergonomic handling
- stability while in use
- product video at [www.may-online.com](http://www.may-online.com)



MAY – shade systems  
Made in Germany



# MEZZO





## MEZZO MG - Standard Model

### Stability while in use

The practical MEZZO canopy lock allows the user to open and close the parasol when it is in an inclined position and prevents the canopy from swinging in the wind.

### Ergonomic handling

The operational mechanism of the parasol is conveniently positioned and can easily be adjusted to suit the height of your choice.

### Crank drive

With the help of a hand crank MEZZO can be opened and closed, positioned and locked in next to no time.

### High-quality framework materials

The poles of our parasols are all made of high-quality alloyed, extruded aluminium profiles. Frame surfaces are anodized, highly impact-proof, and available in the colour EV1

natural silver-grey. The spokes are of spring steel and powder-coated, available in white aluminium RAL 9006.

### Canopy covering

For fabrics and colours cf. page 39 onwards.

### Valance options

- without valance
- straight valance

### Installation options

- mobile
  - stationary
- cf. page 30 onwards.

### When not in use

The protective cover provided can easily be slipped over the shade during bad weather periods.



Ergonomic handling



Stability while in use



### Optimal adjustability

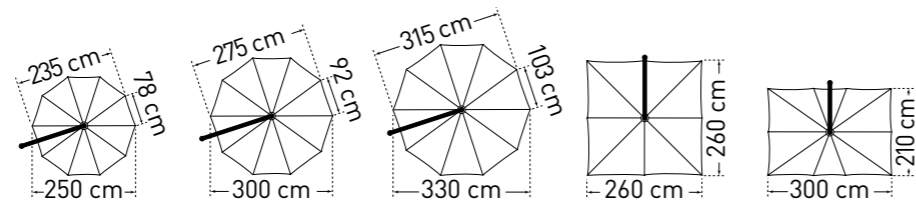
The canopy can be rotated around all three axes:

- 360° around the support pole
- 180° around the cross arm
- 90° around the joint axis

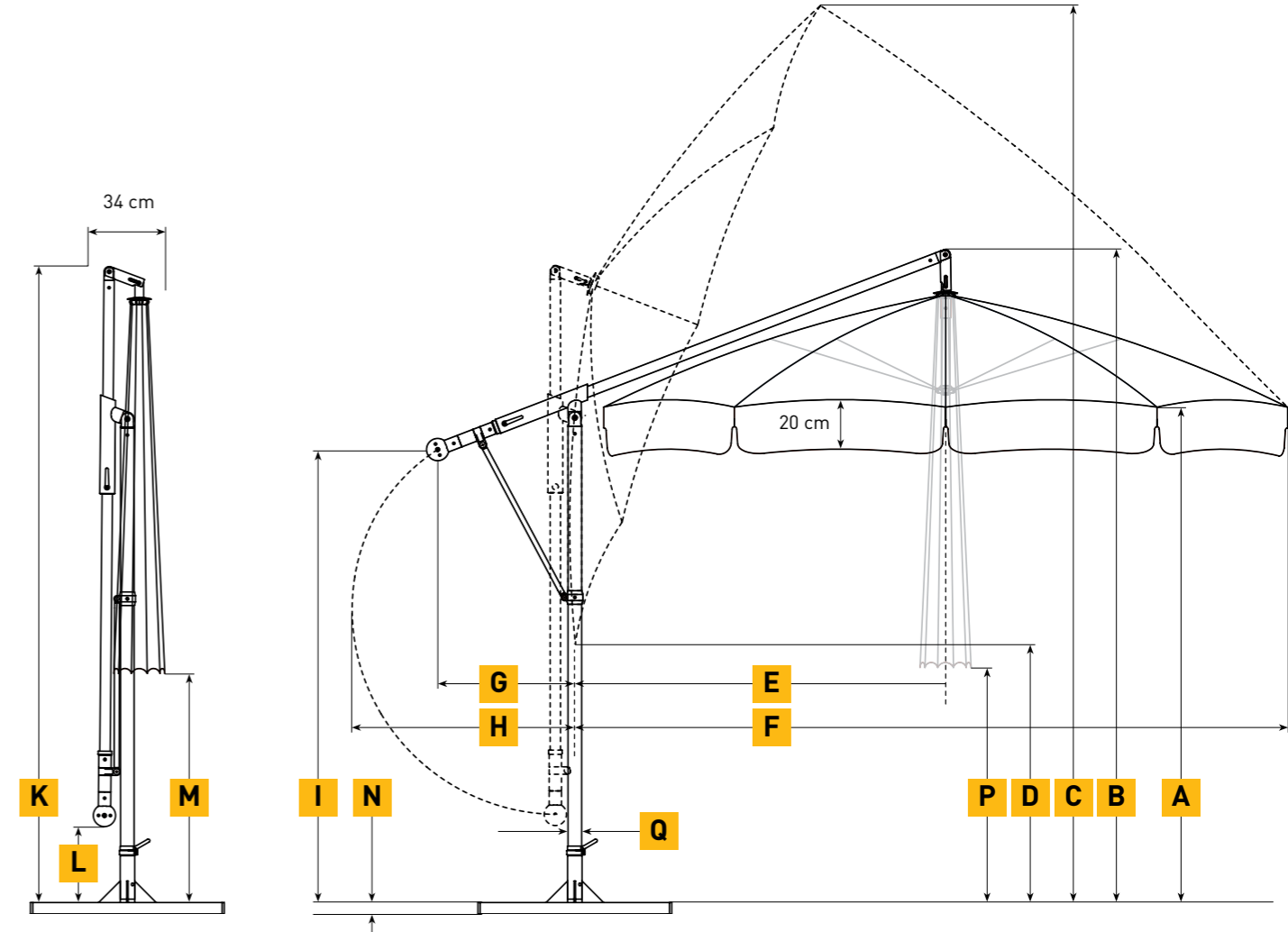
Such unique freedom of movement makes it possible for the user to adjust the parasol to the changing position of the sun or to use it as a protective screen.



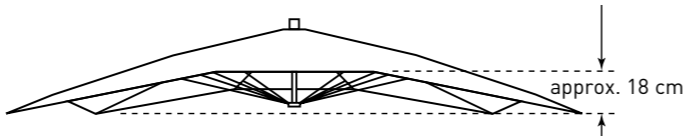
# MEZZO MG – Sizes and Technical Data



MEZZO standard model MG			Ø 2.5 m	Ø 3.0 m	Ø 3.3 m <sup>1)</sup>	2.6 x 2.6 m	2.1 x 3.0 m <sup>2)</sup>
Segments			10	10	10	8	10
Area	m <sup>2</sup>		5	7	8,5	6,75	6,25
<b>A</b>	without/with valance	cm	208 / 218	182 / 192	200	209	195
<b>B</b>	without/with valance	cm	263 / 253	251 / 261	269	268	261
<b>C</b>	without/with valance	cm	353 / 363	359 / 369	405	372	351
<b>D</b>	without/with valance	cm	137	104 / 114	100	129	150
<b>E</b>		cm	162	162	170	162	162
<b>F</b>		cm	280	305	335	282	272
<b>G</b>		cm	55	55	55	55	55
<b>H</b>		cm	90	90	90	90	90
<b>I</b>	without/with valance	cm	182 / 192	182 / 192	192	192	192
<b>K</b>	without/with valance	cm	259 / 269	259 / 269	278	268	270
<b>L</b>	without/with valance	cm	30 / 40	30 / 40	40	38	40
<b>M</b>	without/with valance	cm	90 / 100	93 / 103	90	69	73
<b>P</b>	without/with valance	cm	74 / 83	70 / 80	73	50	54
Weight without packaging	kg		16	17	18	16	16
<b>Q</b>	Support pole diameter	mm	outer-Ø 55, pole thickness 3				
Packaging			rectangular cardboard box: l= 290 cm, w= 32 cm, h= 18 cm, approx. 3 kg				
Installation base length/width/min. depth	cm		50/50/60				
Minimum-ballast	Number of layers of concrete slabs XZ40 required		1 x = approx. 72 kg				



<sup>1)</sup> Additional pedestal weight may be required for windy locations (upwind, sloping sites and so on). Do not use granite base. Pedestals require 2 sets of concrete slabs.  
<sup>2)</sup> The canopy is vaulted, so that the corner spokes are approx. 9 – 18 cm lower than the centre spokes. (cf. sketch)



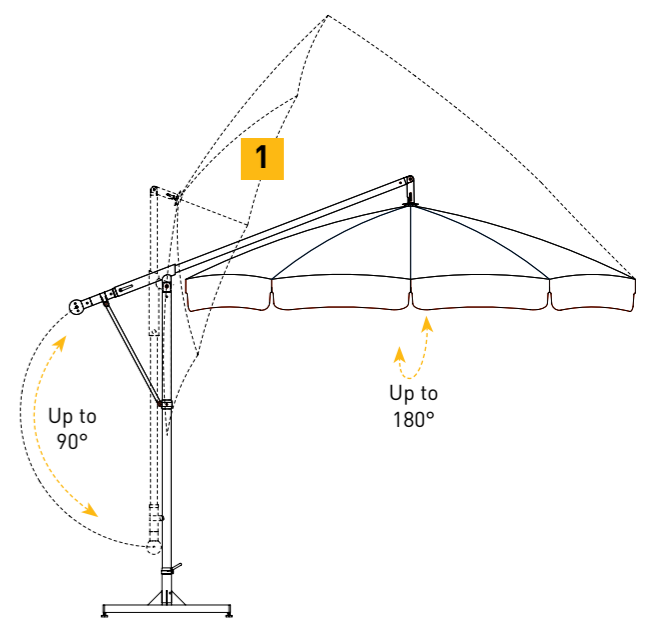
Dimensional tolerance approx. 5%.

**N** The heights specified are for parasols with MayTex-Acryl covering fabric that are mounted in an anchor tube (DMZ118, DMZ146, DMZ150). The increase in height for parasols with other installation bases can be seen in the list below:

- Cross pedestal: DMZ110 + 6 cm
- Full frame pedestal: DMZ411 + 9 cm
- Full frame pedestal: DMZ412 + 12 cm
- Full frame pedestal: DMZ414 + 16 cm
- Full frame pedestal: DMZ420 + 19 cm
- Granite base: DMZ141 + 10 cm
- Wheeled pedestal: DMZ282 + 14/15 cm
- Anchor plate: DMZ261 + 4 cm

**Adjustable to suit your individual needs**

**1** No matter where the sun is, the parasol canopy can be tilted at any angle for shade and protection, then locked.





# MEZZO MH – Product Information

## MEZZO MH – with height adjustment

More functions – more benefits! Our model MEZZO MH not only has the standard functions of MEZZO MG, it also offers the possibility of effortless height adjustment. Thanks to a pneumatic spring incorporated in the support pole, the physical strength needed to raise or lower the parasol is effectively reduced to a minimum.



Ergonomic handling



Double clamp for height adjustment



Up to 90°

360°

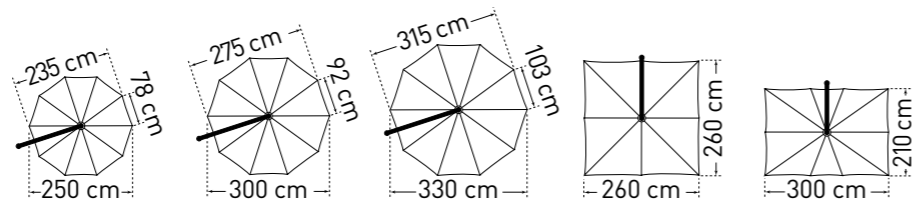
Up to 180°

Height adjustment of up to 35cm

### Optimal adjustability

The canopy can be rotated around all three axes:  
 360° around the support pole  
 180° around the cross arm  
 90° around the joint axis

Such unique freedom of movement makes it possible for the user to adjust the parasol to the changing position of the sun or to use it as a protective screen.

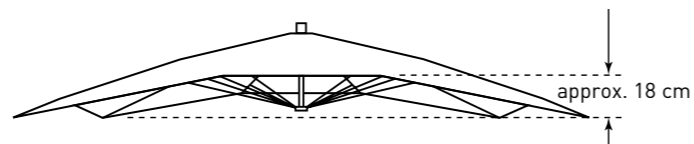


MEZZO model MH		Ø 2.5 m	Ø 3.0 m	Ø 3.3 m <sup>1)</sup>	2.6 x 2.6 m	2.1 x 3.0 m <sup>2)</sup>
Segments		10	10	10	8	10
Area	m <sup>2</sup>	5	7	8.5	6.75	6.25
<b>A</b>	min. / max.	cm	188 / 222	176 / 210	163 / 198	182 / 217
<b>B</b>	min. / max.	cm	235 / 270	238 / 273	235 / 270	241 / 276
<b>C</b>	min. / max.	cm	322 / 357	335 / 370	373 / 408	345 / 380
<b>D</b>	min. / max.	cm	110 / 145	85 / 120	80 / 115	102 / 137
<b>E</b>		cm	160	160	166	160
<b>F</b>		cm	285	300	328	282
<b>G</b>		cm	55	55	55	55
<b>H</b>		cm	90	90	90	90
<b>I</b>	min. / max.	cm	165 / 200	165 / 200	165 / 200	165 / 200
<b>K</b>	min. / max.	cm	241 / 276	241 / 276	250 / 285	241 / 276
<b>L</b>	min. / max.	cm	11 / 46	11 / 46	11 / 46	11 / 46
<b>M</b>	min. / max.	cm	82 / 117	75 / 110	65 / 100	42 / 77
<b>P</b>	min. / max.	cm	67 / 102	60 / 95	40 / 75	23 / 58
Weight without packaging	kg	18	19	20	18	18
<b>Q</b>	Support pole diameter	mm	outer-Ø 55, pole thickness 3			
Packaging		rectangular cardboard box: l= 270 cm, b= 32 cm, h= 18 cm, approx. 3 kg				
Installation base	cm	length/width/min. depth 50/50/60				
Minimum-ballast	Number of layers of concrete slabs XZ40 required	1 x = approx. 72 kg				

<sup>1)</sup> Sizes without valance: with valance less 20 cm.

<sup>2)</sup> Additional pedestal weight may be required for windy locations (upwind, sloping sites and so on). Do not use granite base. Pedestals require 2 sets of concrete slabs.

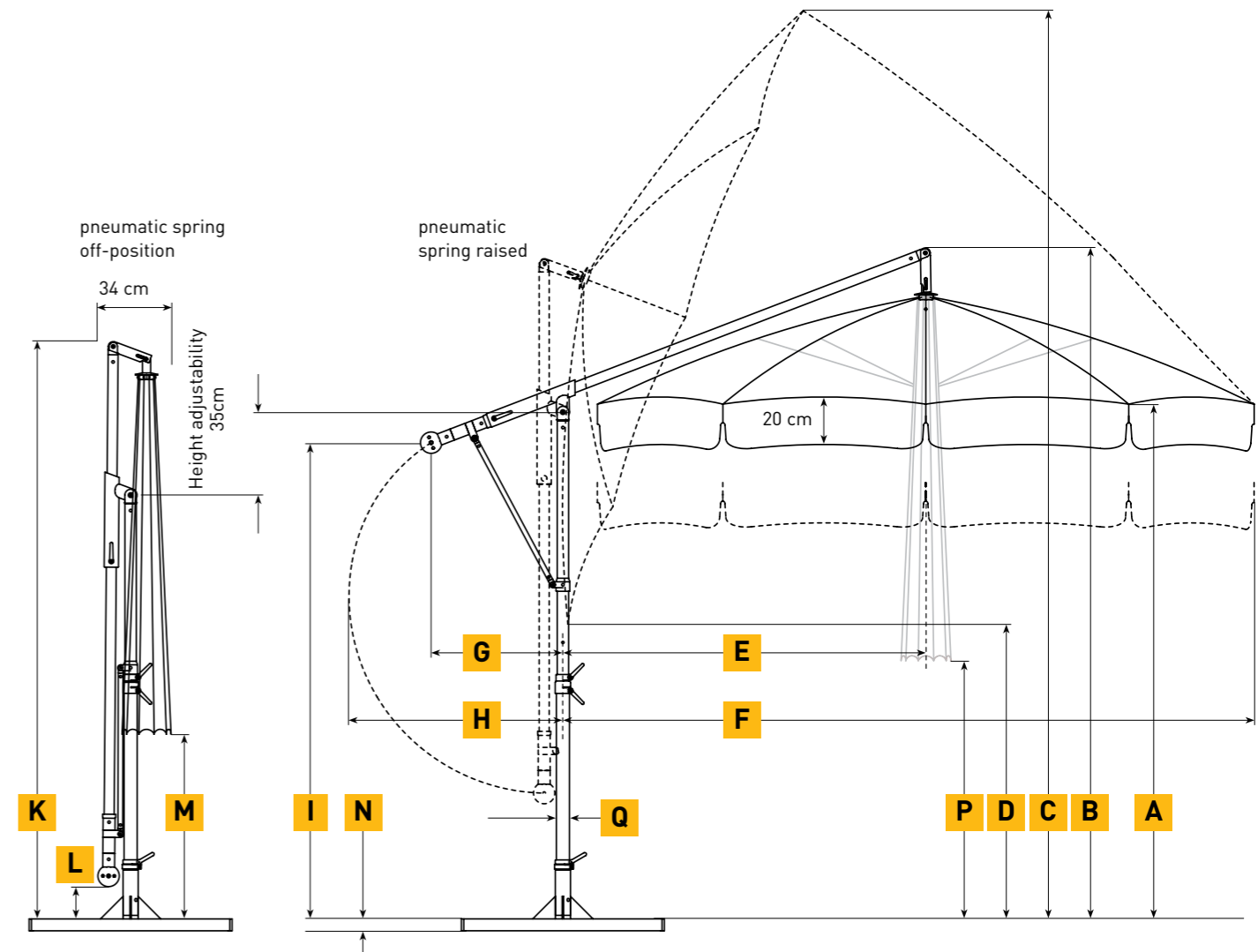
<sup>3)</sup> The canopy is vaulted, so that the corner spokes are approx. 9 – 18 cm lower than the centre spokes. (cf. sketch)



Dimensional tolerance approx. 5%.

**N** The heights specified are for parasols with MayTex-Acryl covering fabric that are mounted in an anchor tube (DMZ118, DMZ146, DMZ150). The increase in height for parasols with other installation bases can be seen in the list below:

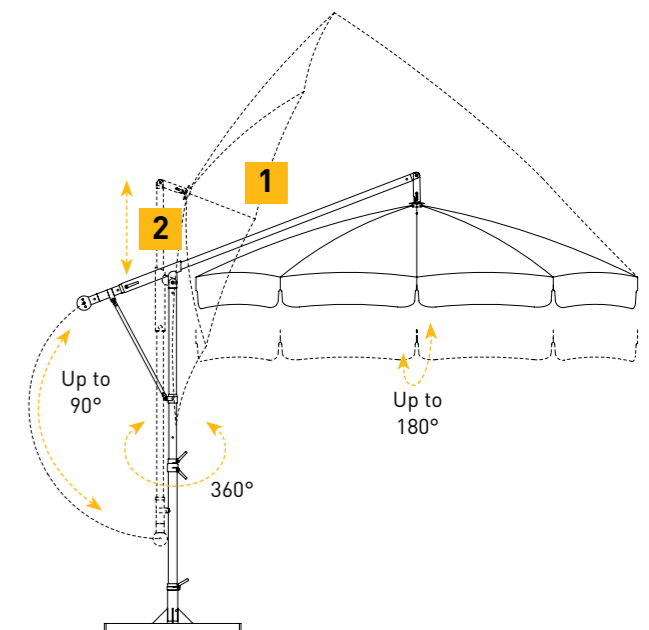
Cross pedestal:	DMZ110 + 6 cm
Full frame pedestal:	DMZ411 + 9 cm
Full frame pedestal:	DMZ412 + 12 cm
Full frame pedestal:	DMZ414 + 16 cm
Full frame pedestal:	DMZ420 + 19 cm
Granite base:	DMZ141 + 10 cm
Wheeled pedestal:	DMZ282 + 14/15 cm
Anchor plate:	DMZ261 + 4 cm



#### Adjustable to suit your individual needs

**1** No matter where the sun is, the parasol canopy can be tilted at any angle for shade and protection, then locked.

**2** Effortless height adjustment thanks to standard incorporation of a pneumatic spring in the support pole (MH).





**O**ur versatile designer side-post parasol

- maximum flexibility
- elegant design
- high-grade steel and aluminium
- product video at [www.may-online.com](http://www.may-online.com)



Video

MAY – shade systems  
Made in Germany



# DACAPO





## DACAPO DG – standard model and DACAPO DK – with crank for cross arm regulation

**W**ith the help of a ball-joint mechanism the DACAPO canopy can be tilted to any required angle – depending on the position of the sun – and then locked. The standard incorporation of a pneumatic spring in the parasol mast enables easy height (vertical) adjustment. If requested, parasols can also be supplied with a crank for horizontal operation of the cross arm. In that case order DACAPO DK.

### Complete freedom of movement

The position of the mast of DACAPO side-post parasols allows completely unencumbered movement in shaded areas. Consequently, you will be able to make full use of your garden, balcony or patio space.

### High-quality framework materials

The poles of our parasols are all made of high-quality alloyed, extruded aluminium profiles. Frame surfaces are anodized, highly impact-proof, and available in the colour EV1 anodized silver-grey. The spokes are of spring steel and powder-coated, available in white aluminium RAL 9006.

### Ultra-quick opening and closing

A technical tour de force. DACAPO can be opened in next to no time and closed again just as quickly. No need to dismount anything. When closed and folded together, the space-saving parasol can easily be stored away. An advantage that no other side-post parasol can beat.

### Maximum movability of the canopy

The canopy of the parasol can be tilted at any angle, depending on the position of the sun. E.g. set at an angle of 90°, it can protect you from the low rays of the sun or serve as a screen for privacy.

### Canopy covering fabric

For fabrics and colours cf. page 39 onwards.

### Valance options

- without valance
- straight valance

### Installation options

- mobile
- stationary  
cf. page 30 onwards.

### When not in use

The protective cover provided can easily be slipped over the shade during bad weather periods.



DG, Dacapo standard version



DK, Dacapo with crank



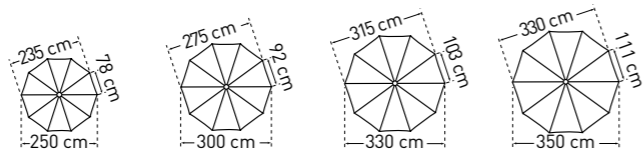
Ball joint



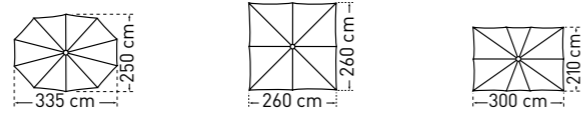
Straight valance



# DACAPO DG – Sizes and Technical Data

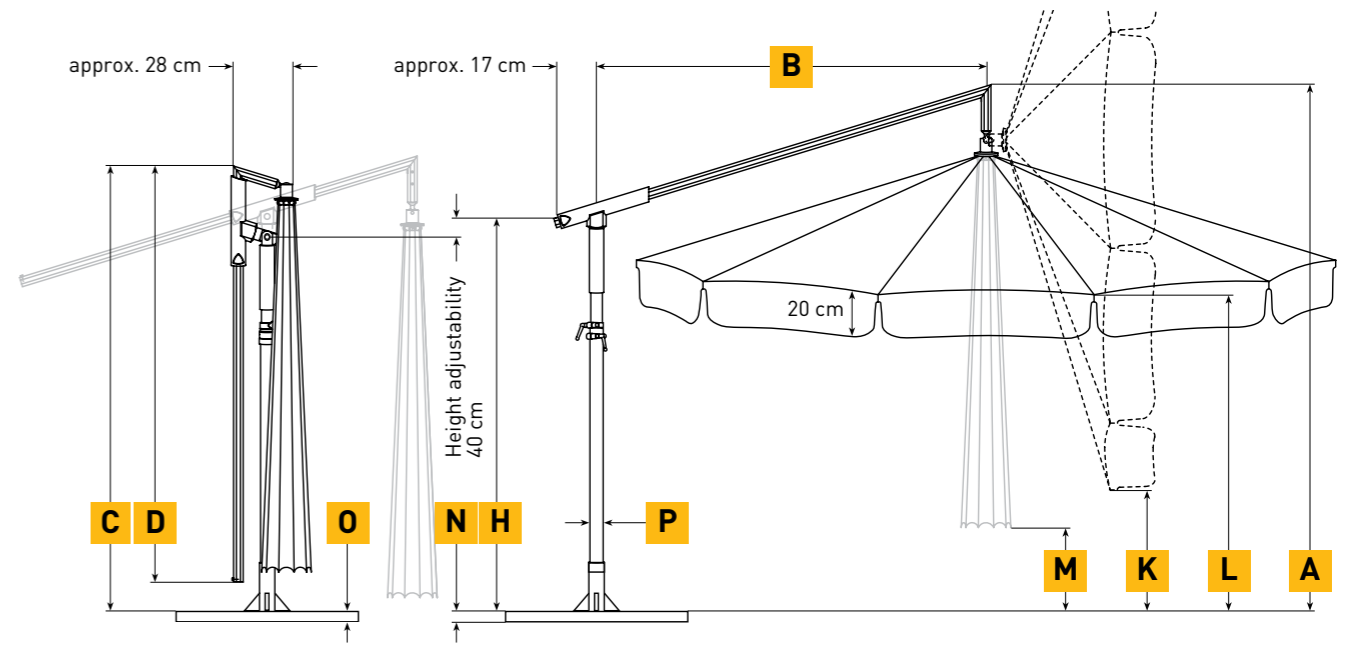


DACAPO standard model DG		Ø 2.5 m	Ø 3.0 m	Ø 3.3 m <sup>3)</sup>	Ø 3.5 m <sup>2)3)</sup>
Segments		10	10	10	10
Area		m <sup>2</sup> 4.9	7.1	8.5	9.6
<b>A</b>	min./max.	cm 250 / 290	250 / 290	250 / 290	250 / 290
<b>B</b>		cm 160	160	180	180
<b>C</b>	min./max.	cm 222 / 262	222 / 262	222 / 262	222 / 262
<b>D</b>		cm 185	185	205	205
<b>H</b>	min./max.	cm 195 / 235	195 / 235	195 / 235	195 / 235
<b>K<sup>1)</sup></b>	min./max.	cm 100 / 140	80 / 120	60 / 100	50 / 90
<b>L<sup>1)</sup></b>	min./max.	cm 180 / 220	170 / 210	170 / 210	170 / 210
<b>M<sup>1)</sup></b>	min./max.	cm 69 / 109	69 / 109	50 / 90	40 / 80
<b>O<sup>1)</sup></b>	min./max.	cm 64 / 104	56 / 96	30 / 70	26 / 66
Weight without packaging		kg 18	19	19	20
<b>P</b>	Support pole diameter	mm outer-Ø 55, pole thickness 3			
Packaging		rectangular cardboard box: l= 235 cm, b= 32 cm, h= 18 cm, approx. 3 kg			
Installation base length/width/min. depth		cm 50 / 50 / 60			
Minimum-ballast		1 x = approx. 72 kg		2 x = approx. 144 kg	
		Number of layers of concrete slabs XZ40 required			



DACAPO standard model DG		2.5 x 3.35 m <sup>1)4)</sup>	2.6 x 2.6 m	2.1 x 3.0 m <sup>4)</sup>
Segments		10	8	10
Area		m <sup>2</sup> 6.8	6.8	6.3
<b>A</b>	min./max.	cm 250 / 290	255 / 294	250 / 290
<b>B</b>		cm 180	180	180
<b>C</b>	min./max.	cm 222 / 262	223 / 263	250 / 262
<b>D</b>		cm 205	207	205
<b>H</b>	min./max.	cm 195 / 235	195 / 235	195 / 235
<b>K<sup>1)</sup></b>	min./max.	cm 100 / 140	102 / 140	115 / 155
<b>L<sup>1)</sup></b>	min./max.	cm 171 / 211	192 / 231	168 / 208
<b>M<sup>1)</sup></b>	min./max.	cm 42 / 82	42 / 81	40 / 80
<b>O<sup>1)</sup></b>	min./max.	cm 27 / 67	27 / 67	27 / 67
Weight without packaging		kg 20	20	20
<b>P</b>	Support pole diameter	mm outer-Ø 55, pole thickness 3		
Packaging		rectangular cardboard box: l= 235 cm, b= 32 cm, h= 18 cm, approx. 3 kg		
Installation base length/width/min. depth		cm 50 / 50 / 60		
Minimum-ballast		1 x = approx. 72 kg		
		Number of layers of concrete slabs XZ40 required		

Dimensional tolerance approx. 5%.

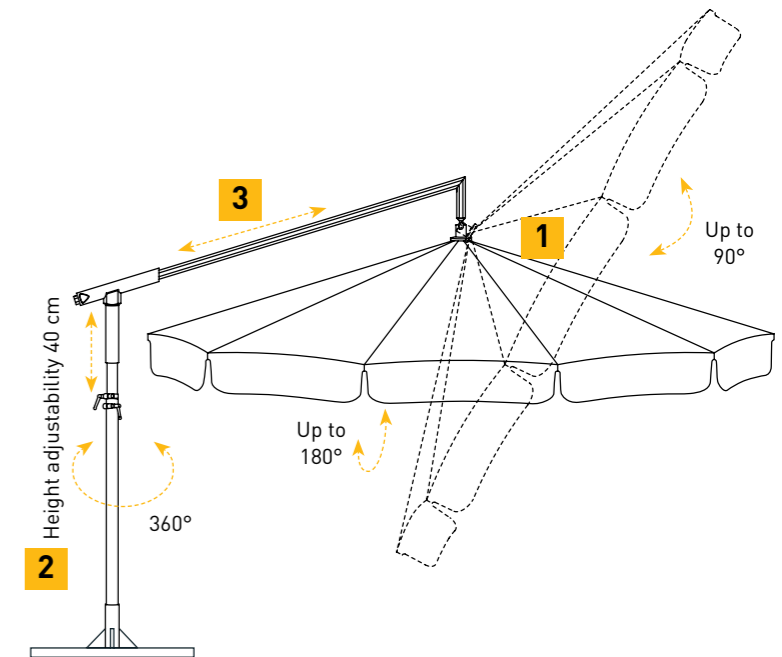


**N** The heights specified are for parasols with MayTex-Acryl covering fabric that are mounted in an anchor tube (DMZ118, DMZ146, DMZ150). The increase in height for parasols with other installation bases can be seen in the list below:

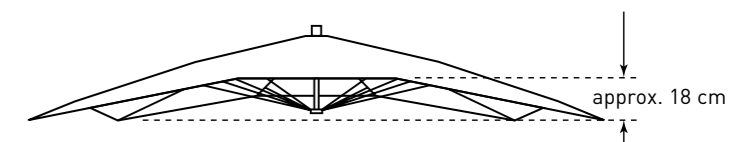
- Cross pedestal: DMZ110 + 6 cm
- Full frame pedestal: DMZ411 + 9 cm
- Full frame pedestal: DMZ412 + 12 cm
- Full frame pedestal: DMZ414 + 16 cm
- Full frame pedestal: DMZ420 + 19 cm
- Granite base: DMZ141 + 10 cm
- Wheeled pedestal: DMZ282 + 14 / 15 cm
- Anchor plate: DMZ261 + 4 cm

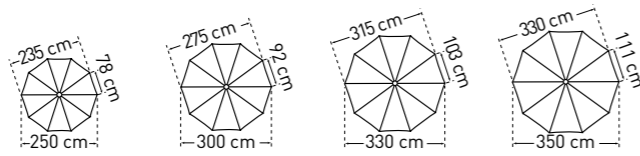
### Adjustable to suit your individual needs

- 1** No matter where the sun is, the parasol canopy can be tilted at any angle for shade and protection, then locked. (DG and DK).
- 2** Effortless height adjustment thanks to standard incorporation of a pneumatic spring in the support pole (DG and DK).
- 3** The cross arm can easily be adjusted (DG).

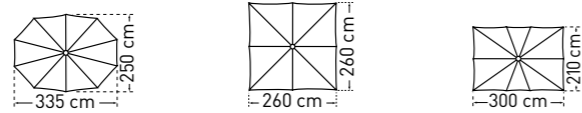


<sup>1)</sup> Sizes without valance: with valance less 20 cm.  
<sup>2)</sup> Ø 3.5 m: in MayTex-Poly only.  
<sup>3)</sup> Additional pedestal weight may be required for windy locations (upwind, sloping sites and so on). Do not use granite base. Pedestals require 2 sets of concrete slabs.  
<sup>4)</sup> The canopy is vaulted, so that the corner spokes are approx. 9-18 cm lower than the centre spokes (cf. sketch).



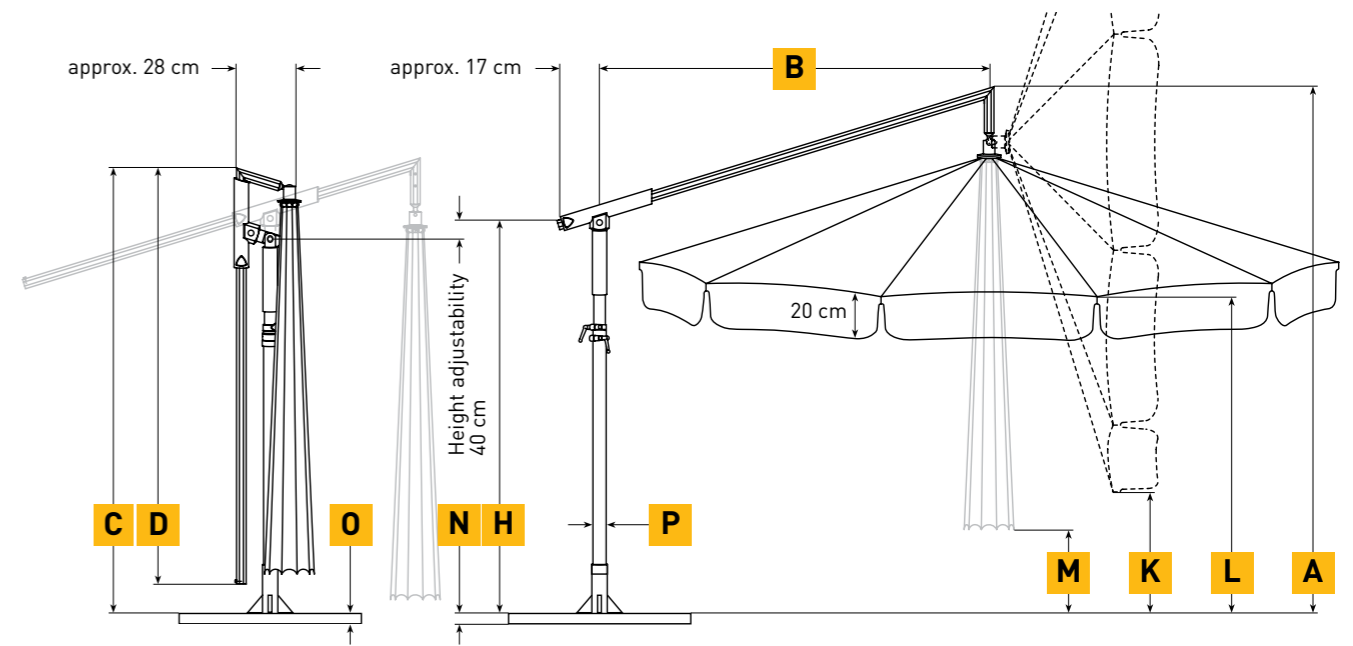


DACAPO with crank DK		Ø 2.5 m	Ø 3.0 m	Ø 3.3 m <sup>3)</sup>	Ø 3.5 m <sup>2)3)</sup>
Segments		10	10	10	10
Area		m <sup>2</sup> 4.9	7.1	8.5	9.6
<b>A</b>	min./max.	cm 240 / 280	240 / 280	245 / 285	245 / 285
<b>B</b>		cm 160	160	180	180
<b>C</b>	min./max.	cm 212 / 252	212 / 252	210 / 250	210 / 250
<b>D</b>		cm 185	185	205	205
<b>H</b>	min./max.	cm 185 / 225	185 / 225	185 / 225	185 / 225
<b>K<sup>1)</sup></b>	min./max.	cm 90 / 130	68 / 108	46 / 101	33 / 73
<b>L<sup>1)</sup></b>	min./max.	cm 170 / 210	160 / 200	164 / 204	160 / 200
<b>M<sup>1)</sup></b>	min./max.	cm 59 / 99	50 / 99	40 / 80	30 / 70
<b>O<sup>1)</sup></b>	min./max.	cm 52 / 92	45 / 85	19 / 59	15 / 55
Weight without packaging		kg 18	19	19	20
<b>P</b>	Support pole diameter	mm outer-Ø 55, pole thickness 3			
Packaging		rectangular cardboard box: l= 235 cm, b= 32 cm, h= 18 cm, approx. 3 kg			
Installation base length/width/min. depth		cm 50/50/60			
Minimum-ballast		1 x = approx. 72 kg		2 x = approx. 144 kg	
		Number of layers of concrete slabs XZ40 required			



DACAPO with crank DK		2.5 x 3.35 m <sup>1)4)</sup>	2.6 x 2.6 m	2.1 x 3.0 m <sup>4)</sup>
Segments		10	8	10
Area		m <sup>2</sup> 6.8	6.8	6.3
<b>A</b>	min./max.	cm 245 / 285	245 / 284	245 / 280
<b>B</b>		cm 180	180	180
<b>C</b>	min./max.	cm 210 / 250	213 / 253	210 / 250
<b>D</b>		cm 205	207	205
<b>H</b>	min./max.	cm 185 / 225	185 / 225	185 / 225
<b>K<sup>1)</sup></b>	min./max.	cm 90 / 130	92 / 130	107 / 147
<b>L<sup>1)</sup></b>	min./max.	cm 160 / 200	182 / 221	180 / 220
<b>M<sup>1)</sup></b>	min./max.	cm 32 / 72	32 / 71	30 / 70
<b>O<sup>1)</sup></b>	min./max.	cm 16 / 56	16 / 56	16 / 56
Weight without packaging		kg 20	20	20
<b>P</b>	Support pole diameter	mm outer-Ø 55, pole thickness 3		
Packaging		rectangular cardboard box: l= 235 cm, b= 32 cm, h= 18 cm, approx. 3 kg		
Installation base length/width/min. depth		cm 50/50/60		
Minimum-ballast		1 x = approx. 72 kg		
		Number of layers of concrete slabs XZ40 required		

Dimensional tolerance approx. 5%.

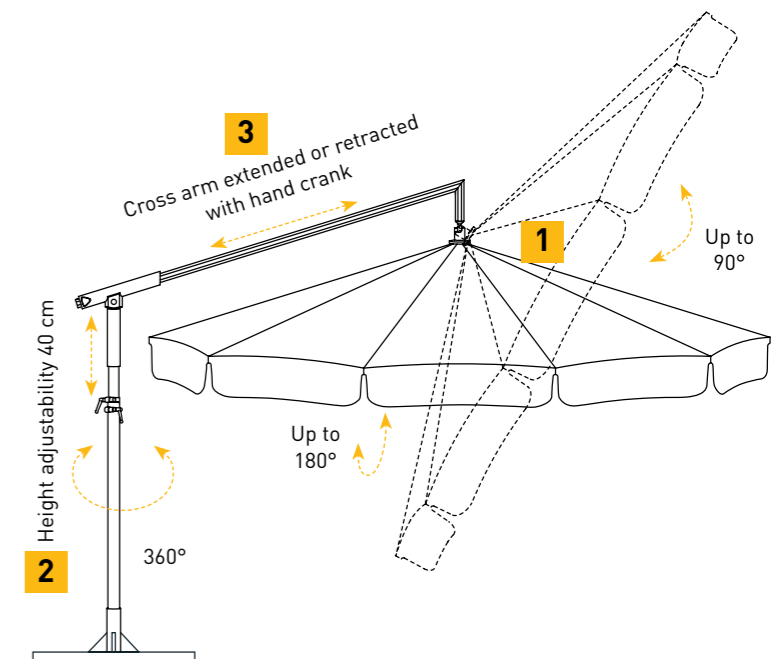


**N** The heights specified are for parasols with MayTex-Acryl covering fabric that are mounted in an anchor tube (DMZ118, DMZ146, DMZ150). The increase in height for parasols with other installation bases can be seen in the list below:

Cross pedestal:	DMZ110 + 6 cm
Full frame pedestal:	DMZ411 + 9 cm
Full frame pedestal:	DMZ412 + 12 cm
Full frame pedestal:	DMZ414 + 16 cm
Full frame pedestal:	DMZ420 + 19 cm
Granite base:	DMZ141 + 10 cm
Wheeled pedestal	DMZ282 + 14 / 15 cm
Anchor plate:	DMZ261 + 4 cm

### Adjustable to suit your individual needs

- 1** No matter where the sun is, the parasol canopy can be tilted at any angle for shade and protection, then locked (DG and DK).
- 2** Effortless height adjustment thanks to standard incorporation of a pneumatic spring in the support pole (DG and DK).
- 3** On special request, additional crank for easy horizontal adjustment (DK).

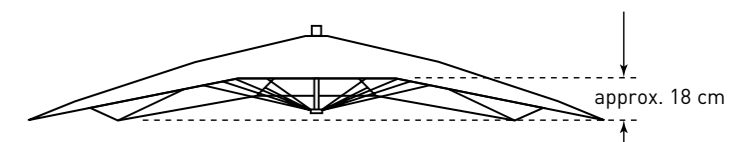


<sup>1)</sup> Sizes without valance: with valance less 20 cm.

<sup>2)</sup> Ø 3.5 m: in MayTex-Poly only.

<sup>3)</sup> Additional pedestal weight may be required for windy locations (upwind, sloping sites and so on). Do not use granite base. Pedestals require 2 sets of concrete slabs.

<sup>4)</sup> The canopy is vaulted, so that the corner spokes are approx. 9-18 cm lower than the centre spokes (cf. sketch).



## Accessories and Bases

### Additional protective sleeve

Made from tarpaulin material, in colour grey, with integrated aluminium bar and zipper for simple operation.

Please indicate size of umbrella and shape of valance.

for MEZZO art. no. **MA130**

for DACAPO art. no. **DA130**



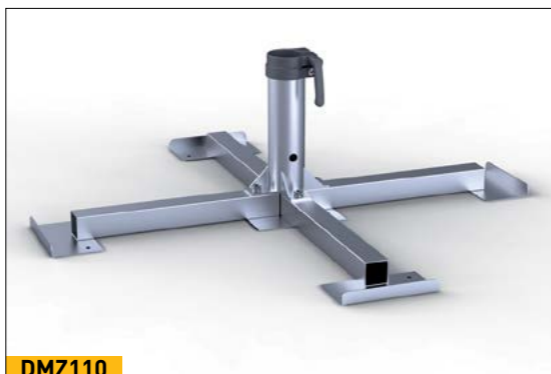
**MA130 / DA130**

## Mobile installation options

### Cross pedestal

mounted with screws, frame size 83 x 83 cm, total height 28 cm, weight approx. 4.5 kg, galvanized. For standard concrete slabs 40 x 40 x 5 cm.

art. no. **DMZ110**

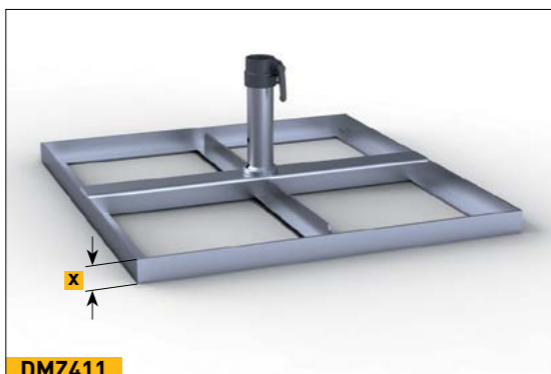


**DMZ110**

### Full frame pedestal

frame size 84 x 91 cm, total height 33 cm, height of frame x = 5 cm, weight approx. 23 kg, galvanized. For 1 set of standard concrete slabs 40 x 40 x 5 cm.

art. no. **DMZ411**



**DMZ411**

### Full frame pedestal adjustable for slanting surfaces

with 4 rubber diagonal support levelling screws, frame size 84 x 91 cm, total height min. 34 cm, max. 40 cm, weight approx. 24 kg, galvanized. For 1 set of standard concrete slabs 40 x 40 x 5 cm.

art. no. **DMZ412**



**DMZ412**

### Full frame pedestal on wheels

with rubber heavy-duty rollers and fixing brakes, frame size 84 x 91 cm, total height 40 cm, diameter of rollers 5 cm, weight approx. 24 kg, galvanized. For 1 set of standard concrete slabs 40 x 40 x 5 cm. Attention: wind sensitive!

art. no. **DMZ414**



**DMZ414**

## Mobile installation options

### Heavy-duty wheels Ø 15 cm

wheel diameter 15 cm, for uneven surfaces. Rubber, with fixing brakes, loading capacity 110 kg/wheel. Suitable for DMZ414.

For orders with full frame pedestal

art. no. **351498**

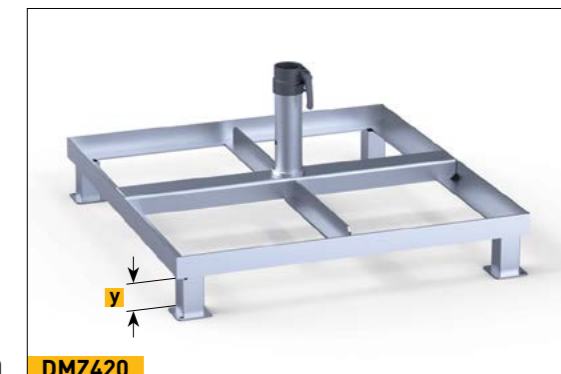
For retrofitting

art. no. **351499**

### Full frame pedestal on feet

for forklift or lift truck transport, frame size 84 x 91 cm, foot height y = 10 cm, weight approx. 25 kg, galvanized. For 1 set of standard concrete slabs 40 x 40 x 5 cm.

art. no. **DMZ420**



**DMZ420**

### \* NEW!

### Frame pedestal cover plate

stainless steel 1.4310, fits on DMZ411, DMZ412, DMZ414 and DMZ420. For retrofitting.

art. no. **200905**



**200905**



**DMZ411 mit 200905**

### Concrete slabs

1 set = 4 slabs, each 40 x 40 x 5 cm, weight per slab: approx. 18 kg, Total weight approx. 72 kg.

art. no. **XZ40**



**XZ40**



Mobile installation options

**Granite base**

Ø approx. 70 cm, 2 pieces, round, grau, polished, 4 recessed grips, stainless steel surface, weight approx. 100 kg, height x = approx. 10 cm

art. no. **DMZ141**



**Wheeled pedestal**

incl. weights, rubber rollers, stainless steel locking rod. Colour anthracite, 75 x 75 cm, weight approx. 100 kg.



art. no. **DMZ282**



**Wheeled pedestal**

incl. weights, rubber rollers, stainless steel locking rod. Colour graphite, 75 x 75 cm, weight approx. 100 kg.



art. no. **DMZ283**



**Free-standing base plate**

plate size 80 x 80 cm, steel plate thickness x = 12 mm, galvanized, weight approx. 60 kg. Only use in combination with art. 351185. This additional weight is required for a secure stability in case of wind.

art. no. **DMZ271**



Mobile installation options

**\* NEW!**

**Add-on weight plate**

fits for DMZ271 and DMZ139, for retrofitting. Plate size 78 x 78 cm, steel plate thickness x = 12 mm, galvanized, weight approx. 56 kg.

art. no. **351185**



**\* NEW!**

**Anti-slip mat**

1 piece, 80 x 80cm, suitable for the steel plates of the installation options of DMZ271 and DMZ139. Increases the coefficient of friction between steel plate and floor covering (wood, concrete slabs, asphalt) and therefore decreases slipping caused by wind. Partly made from recycling material, colour black, x=3 mm.

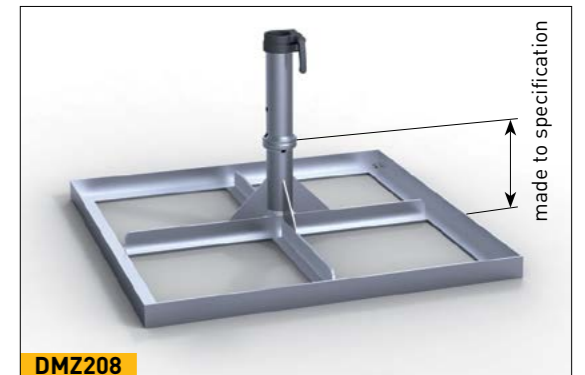
art. no. **352791**



**Full frame pedestal**

customized height to fit patio surface, frame size 83 x 83 cm, screw-off upper part, galvanized, weight approx. 23 kg, incl. top plate for winter protection. For 1 set of standard concrete slabs 40 x 40 x 5 cm.

art. no. **DMZ208**

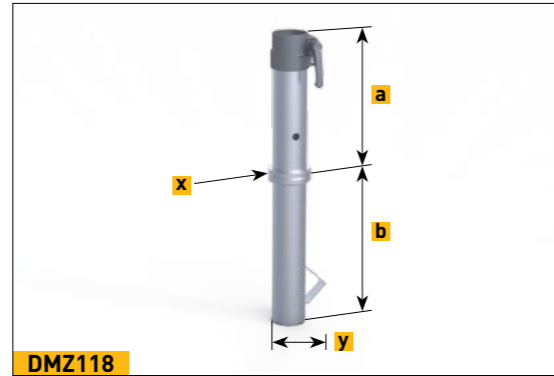


## Stationary installation options

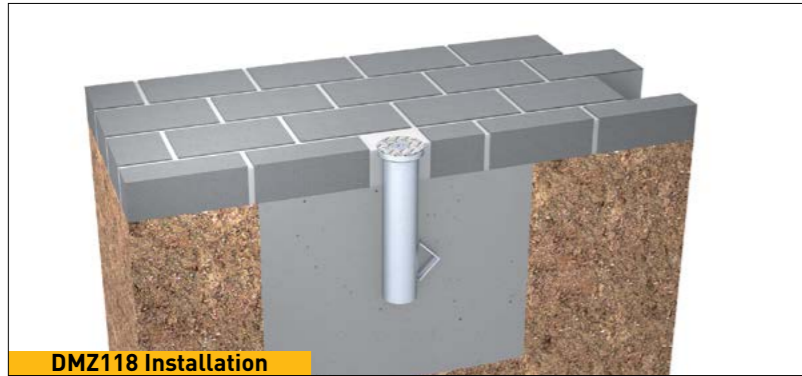
### Anchor tube to be embedded in concrete

2 pieces, screw-off upper part, galvanized, weight approx. 4.7 kg, incl. top plate for winter protection.  
a = 26 cm, b = 29 cm, x = Ø 8 cm, y = 15 cm

art. no. **DMZ118**



**DMZ118**

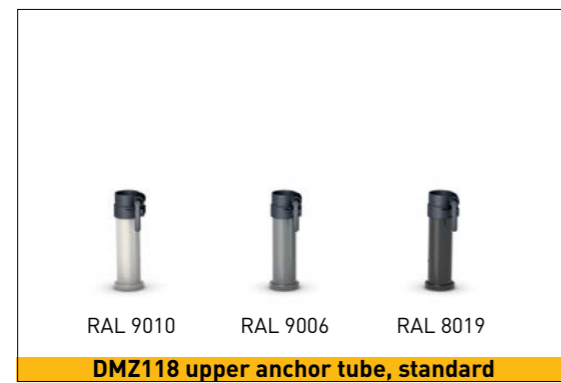


**DMZ118 Installation**



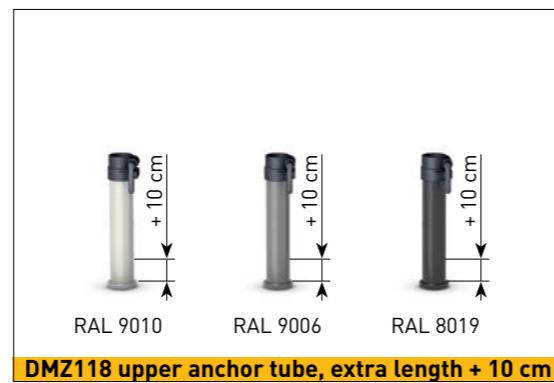
**DMZ118 Installation**

**DMZ118 options:**  
galvanized and powder-coated



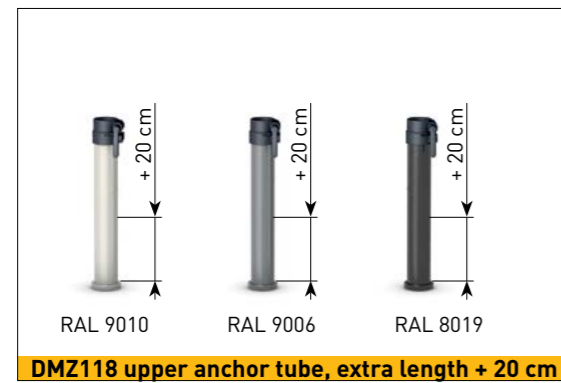
RAL 9010 RAL 9006 RAL 8019

**DMZ118 upper anchor tube, standard**



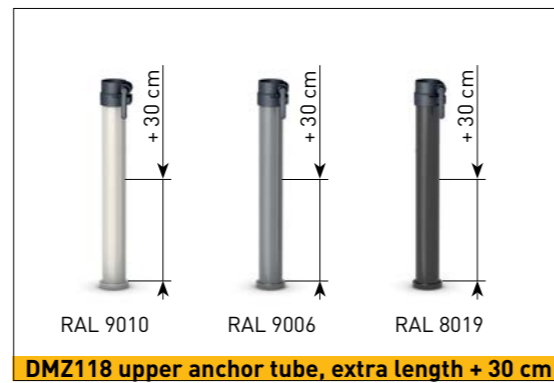
RAL 9010 RAL 9006 RAL 8019

**DMZ118 upper anchor tube, extra length + 10 cm**



RAL 9010 RAL 9006 RAL 8019

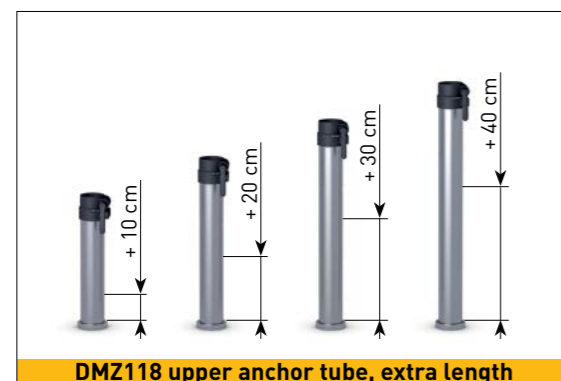
**DMZ118 upper anchor tube, extra length + 20 cm**



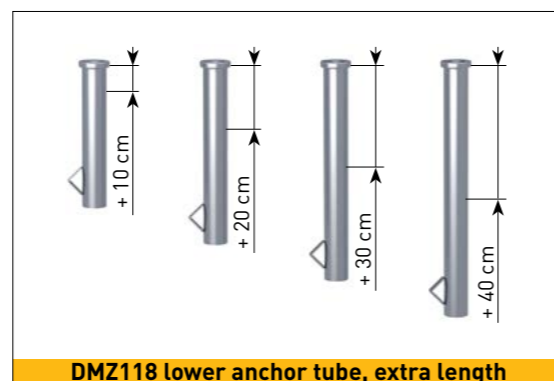
RAL 9010 RAL 9006 RAL 8019

**DMZ118 upper anchor tube, extra length + 30 cm**

**DMZ118 options:**  
galvanized



**DMZ118 upper anchor tube, extra length**



**DMZ118 lower anchor tube, extra length**

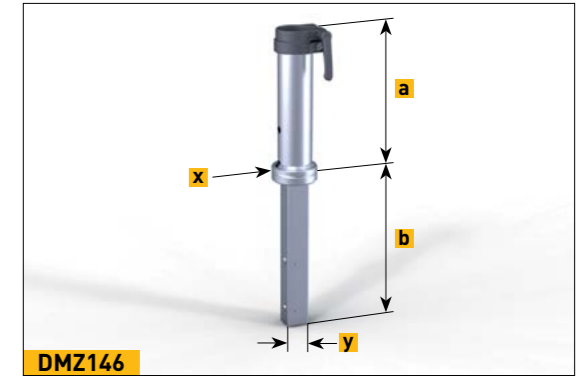
## Stationary installation options

### Anchor tube to be embedded in concrete

for an existing foundation with a bore hole of min. Ø 71 mm, 2 pieces, screw-off upper part. The bore hole is filled with concrete in order to fix the lower part of the anchor tube. The existing foundation must be adequate in size for the designated parasol. Galvanized, weight approx. 3 kg, lower tube square, incl. top plate for winter protection.

a = 25 cm, b = 28.5 cm, x = Ø 8 cm, y = □ 5 cm

art. no. **DMZ146**

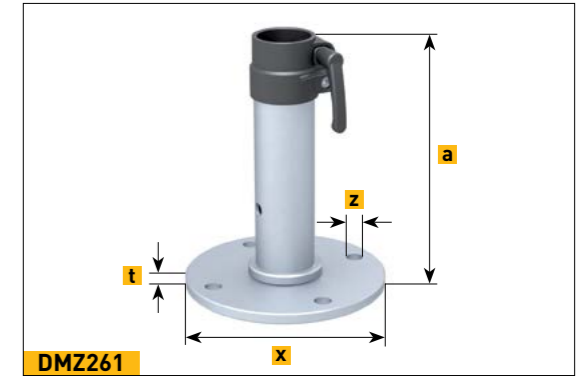


**DMZ146**

### Dowel-anchored plate

galvanized, weight approx. 5 kg, a = 27.5 cm, x = Ø 21.5 cm, t = 1.2 cm, z = Ø 1.8 cm

art. no. **DMZ261**



**DMZ261**

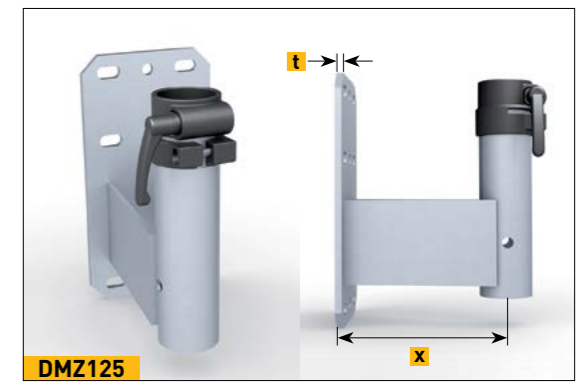


**DMZ261 Installation**

### Wall bracket

galvanized, weight approx. 5.5 kg, wall plate 30 x 16 cm, x = 20 cm, t = 0.8 cm. Bottom of support pole rests on bottom end of anchor tube.

art. no. **DMZ125**



**DMZ125**

### Wall pressure plate for DMZ125

fits for DMZ125 and DMZ170, galvanized; 30 x 16 cm, to be clamped onto the existing bars (only possible if these are very strong), bore holes for M16 stud bolts (not included in the delivery)

art. no. **200084**



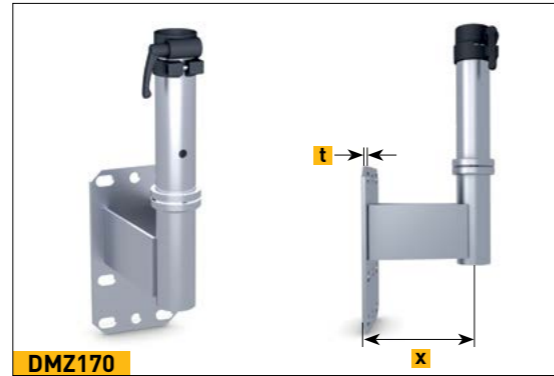
**200084**

200084 together with DMZ125

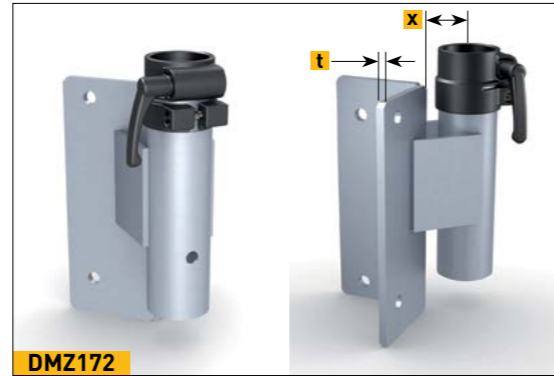
## Stationary installation options

**Wall bracket**

galvanized, weight approx. 6.5 kg, wall plate 30 x 16 cm, x = 20 cm, t = 0.8 cm.

art. no. **DMZ170****Corner wall bracket**

galvanized, weight approx. 5.5 kg, x = 5.5 cm, t = 0.8 cm

art. no. **DMZ172****Dowel-anchored plate**

customized height to fit patio surface, anchor plate 30 x 30 cm, screw-off upper part, galvanized, weight approx. 10 kg, incl. top plate for winter protection.

art. no. **DMZ129**

DMZ129 Installation



DMZ129 Installation

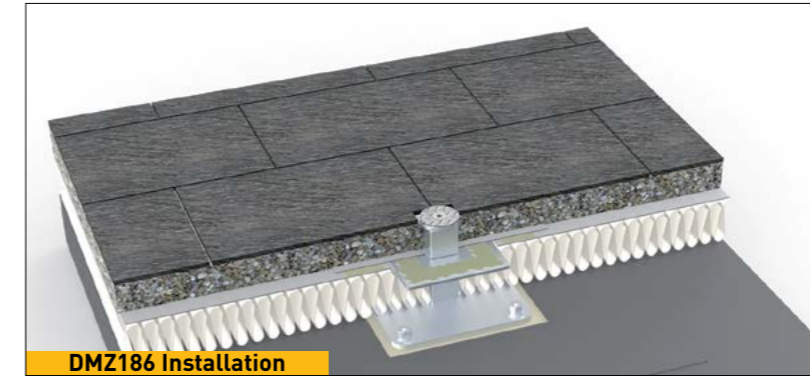
## Stationary installation options

**Flat-roof dowel-anchored plate**

externally insulated roof system, system-conform flat roof connection with liquid plastic, customized height to fit flat roof surface, dowel plate 30 x 30 cm, screw-off upper part, galvanized, weight approx. 13 kg, incl. top plate for winter protection.

art. no. **DMZ186**

DMZ186



DMZ186 Installation



DMZ186 Installation

**Anchor bolt**

bolt and nut, fits for DMZ261, DMZ125, DMZ170, DMZ172, DMZ127, DMZ129 and DMZ186; approved for cracked and non-cracked concrete B25 to B55 (old compressive strength classes) C20/25 to C50/60 (new EU classification), also suitable for concrete B15 = C12/15 and natural stone with dense structure. Concrete bore hole  $\varnothing$  16 x 115 mm. in stainless steel A4 1.4529. Package contains 4 bolts. European Technical Approval ETA-05/0069.

art. no. **200900**

200900

**\* NEW!****Ground screw anchor fixture**

like ground screw DMZ330, without ground screw KSF F 140 x 2100-M, weight ca. 6 kg, x = 22 cm, t = 1.5 cm.

art. no. **DMZ329**

DMZ329

**Screw-in ground anchor**

groundscrew with upper anchor tube, incl. standard parts, parts unscrewed on delivery, steel, galvanized acc. DIN EN ISO 1461, weight approx. 30 kg, delivered in two ready-to-assemble parts.

art. no. **DMZ330**

DMZ330

# Installation Options

## Stationary installation options

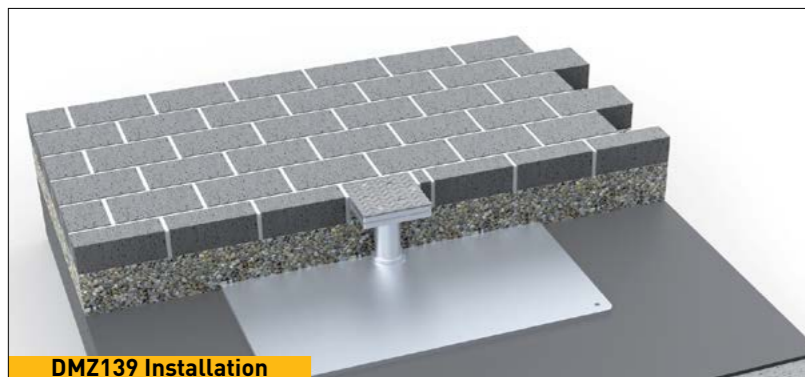
### Base plate

customized height to fit patio surface, to be screwed together on site, heaviest component approx. 60 kg, base plate size 80 x 80 cm, plate thickness x = 12 mm, screw-off upper part, galvanized, weight approx. 68 kg, incl. top plate for winter protection. This weight is only sufficient if there are at least 70kg gravel or concrete slabs on top. Other than that an add-on weight plate (art. no. 351185) is required.

art. no. **DMZ139**



**DMZ139**



### Theft pin

padlock and pin, in stainless steel, for support pole Ø 55 mm. suitable for retrofitting.

art. no. **200194**



**200194**

# Cloth Collection

## MayTex-Acryl with Texgard impregnation

- material: 100% polyacrylic, spun-dyed, weight 300g/m<sup>2</sup> ±5%
- water column (fabric water tightness) 370 mm, European standard EN 20 811
- colour fastness: grade ≥7 (against bleaching), tested acc. to standard EN ISO 105-B02 (1= min., 8= max.)
- protection against UV rays: UPF 40-80, tested acc. to UV standard 801 (cf. page 45 for individual values)
- weather-proof, high and low temperature resistant
- Texgard impregnation gives effective protection against oil, grease, mildew and algae, industrial pollution, exhaust fumes and other negative environmental factors
- tested acc. to Öko-Tex standard 100
- imprinted ads: on parasol canopy and valance in durable, brilliant screen-printing quality
- cleaning: easy to clean with CleanoMay 13, even when mounted



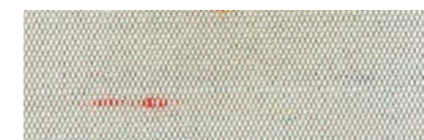
SA 314 010 white  
similar to RAL 9003  
bordering 00 white



SA 314 018 white/grey knopped  
similar to RAL 9016  
bordering 00 white



SA 314 580 white, yellow/grey knopped  
similar to RAL 9002  
bordering 18 silver



SA 314 344 multi-colour  
similar to RAL 7035  
bordering 18 silver



SA 314 471 silver-grey/dark brown knopped  
similar to RAL 1013/7006  
bordering 18 silver



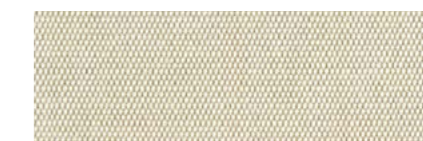
SA 314 030 light grey **\* NEW!**  
similar to RAL 7047  
bordering 18 silver



SA 314 364 telegrey/white  
similar to RAL 7046  
bordering 147 opal



SA 314 044 grey/white  
similar to RAL 7004  
bordering 18 silver



SA 314 325 ecru  
similar to RAL 1013  
bordering 52 nature



SA 314 033 ivory  
similar to RAL 1013  
bordering 20 ivory



SA 314 583 yellow, grey/yellow knopped  
similar to RAL 1023/1013  
bordering 18 silver



SA 314 045 pyrite  
similar to RAL 1002  
bordering 10 pyrite



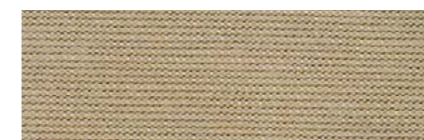
DA 7560 light yellow  
similar to RAL 1023  
bordering 10 pyrite



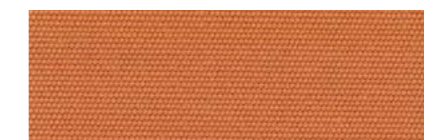
SA 314 003 yellow  
similar to RAL 1023  
bordering 32 yellow



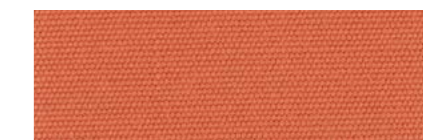
SA 314 014 mandarin  
similar to RAL 1033  
bordering 79 mandarin



SA 314 038 beige  
similar to RAL 1019  
bordering 11 beige



SA 314 008 ochre  
similar to RAL 1034  
bordering 15 ochre



SA 314 019 terracotta  
similar to RAL 2012  
bordering 48 terracotta



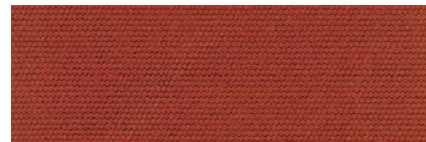
SA 314 002 orange  
similar to RAL 2004  
bordering 81 orange



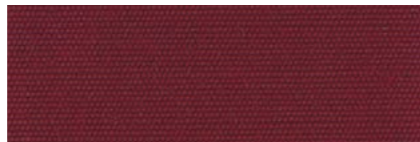
SA 314 001 cherry  
similar to RAL 3020  
bordering 85 cherry



SA 314 347 ruby  
similar to RAL 3003  
bordering 85 cherry



SA 314 022 rust  
similar to RAL 2001  
bordering 83 rust



SA 314 763 bordeaux  
similar to RAL 3004  
bordering 86 bordeaux



DA 7244 lime green **\* NEW!**  
similar to RAL 6018  
bordering 42 lime green



SA 314 624 green patina  
similar to RAL 6000  
bordering 162 green patina



SA 314 362 dark green  
similar to RAL 6005  
bordering 95 dark green



SA 314 257 green/black  
similar to RAL 6012, bordering  
95 dark green



SA 314 011 royal blue  
similar to RAL 5010  
bordering 62 royal blue



SA 314 546 blue patina  
similar to RAL 5007  
bordering 187 blue patina



SA 314 006 sapphire  
similar to RAL 5002  
bordering 66 sapphire



SA 314 414 navy blue  
similar to RAL 5013  
bordering 91 navy blue



SA 314 271 navy blue/black  
similar to RAL 5011, bordering  
91 navy blue



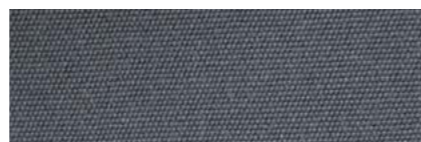
SA 314 016 dark brown  
similar to RAL 8017  
bordering 27 dark brown



DA 8779 olive brown  
similar to RAL 7002  
bordering 9533 olive brown



DA 7559 taupe  
similar to RAL 7006  
bordering 926 taupe



DA 8203 grey basalt  
similar to RAL 7010  
bordering 97 grey basalt



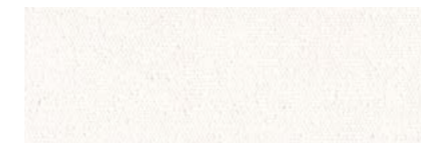
SA 314 154 black  
similar to RAL 9017  
bordering 19 black

The shades shown here are not in accordance with the original ones.  
If requested, we will be pleased to send you a collection of original cloth samples.

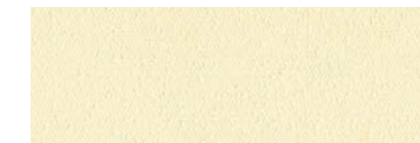
## MayTex-Poly

- material: 81% polyester, 19% polyacrylics, weight 230 g/m<sup>2</sup> ± 5%
- water column (fabric water tightness) 1000 mm, European standard EN 20811
- colour fastness: grade ≥7 (against bleaching), tested acc. to standard EN ISO 105-B02 (1= min., 8= max.)
- protection against UV rays: UPF80, tested acc. to UV standard 801 (cf. page 45 for individual values)

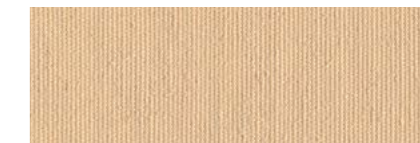
- Texgard impregnation gives effective protection against oil, grease, mildew and algae, industrial pollution, exhaust fumes and other negative environmental factors
- tested acc. to Öko-Tex standard 100
- imprinted ads :on parasol canopy and valance in durable, brilliant screen-printing quality
- cleaning: easy to clean with CleanoMay 13, even when mounted



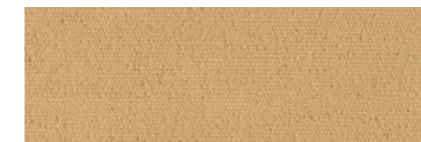
M 9577 white  
similar to RAL 9010  
bordering 00 white



M 9823 ivory  
similar to RAL 1015  
bordering 20 ivory



M 9875 cream  
similar to RAL 1015  
bordering 11 beige



M 9816 sand  
similar to RAL 1001  
bordering 10 pyrite



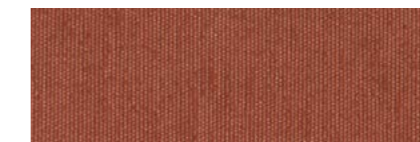
M 9653 grey  
similar to RAL 7004  
bordering 18 silver



M 9526 bright yellow  
similar to RAL 1023  
bordering 32 yellow



M 9527 orange  
similar to RAL 2004  
bordering 81 orange



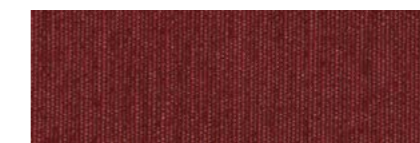
M 9878 terracotta  
similar to RAL 8004  
bordering 83 rust



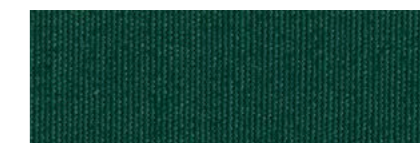
M 9671 red  
similar to RAL 3020  
bordering 82 red



M 9675 cherry  
similar to RAL 3000  
bordering 85 cherry



SA 314 763 bordeaux  
similar to RAL 3004  
bordering 86 bordeaux



M 9710 dark green  
similar to RAL 6005  
bordering 95 dark green



M 9793 blue  
similar to RAL 5005  
bordering 63 blue



M 9545 navy blue  
similar to RAL 5003  
bordering 91 navy blue



M 9853 black  
similar to RAL 9004  
bordering 19 black

# Borderings

If no colour is specified, a binding tape will be chosen to match the cloth.



00 white



20 ivory



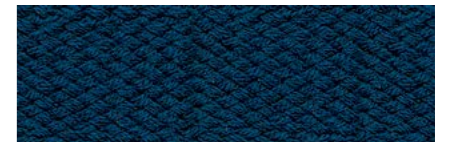
11 beige



62 royal blue



66 sapphire



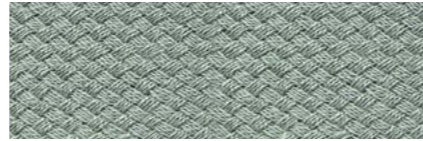
91 navy blue



52 nature



10 pyrite



147 opal



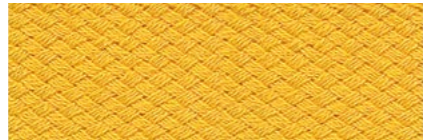
97 grey basalt



19 black



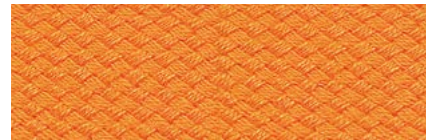
18 silver



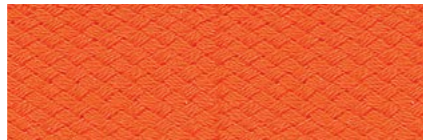
32 yellow



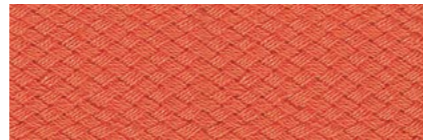
15 ochre



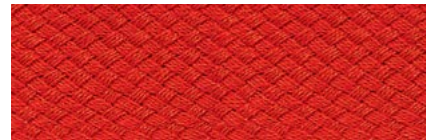
79 mandarin



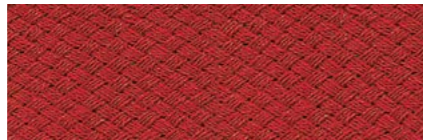
81 orange



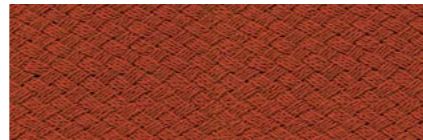
148 terracotta



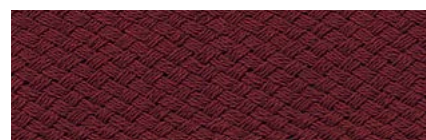
82 red



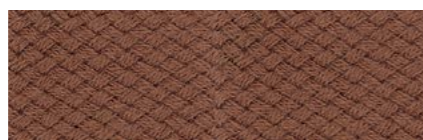
85 cherry



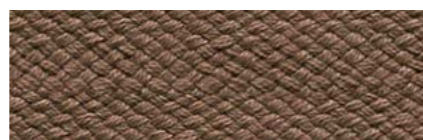
83 rust



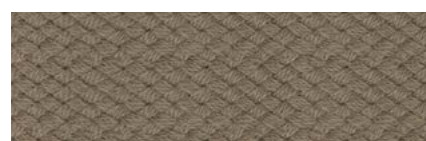
86 bordeaux



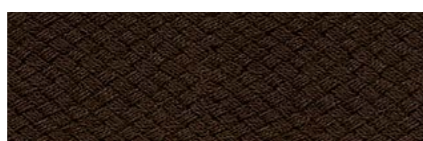
25 light brown



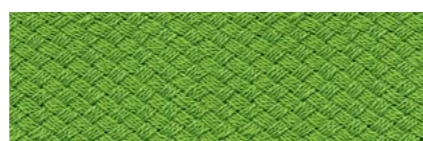
9533 olive brown



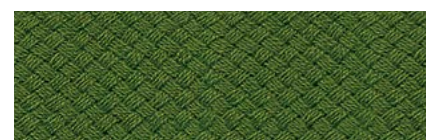
926 taupe



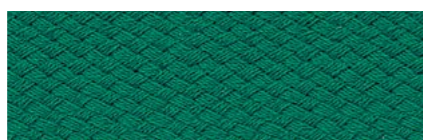
27 dark brown



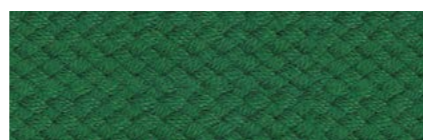
42 lime



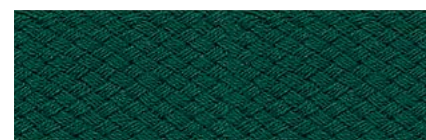
45 olive



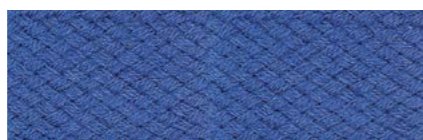
44 gras-green



162 green patina



95 dark green



63 blue



187 blue patina

The shades shown here are not in accordance with the original ones. If requested, we will be pleased to send you a collection of original cloth samples.

The textile finishing of a parasol canopy – i.e. the awning fabric – is not only the most important and most conspicuous feature of any sun protection system, it also fulfils numerous functions:



**Harmony and Inner peace**  
through well-balanced colours and natural shades of colour.



**Joie de vivre**  
through vibrant colours.

### Colour, light and shade: personal well-being, atmosphere and decoration

The most comprehensive range of upmarket classics and specialities. The awning fabric keeps out the light. It protects, shades, creates atmosphere and serves as an element of design and decoration. The fabric evokes a sense of harmony and creates a feeling of well-being by filtering and tinting the light and thus lending a room and its environment a very special soothing atmosphere. The impact a fabric has on a person is decisively determined by its colour, pattern and degree of translucence.

### Healthy shade provider, protection from harmful UV radiation

The sun is a source of life and its light provides our bodies with essential vitamins, but it can also be very dangerous. Studies by the WHO indicate a threefold increase in skin diseases caused by harmful UV radiation. The UV Protection Factor (Sun Protection Factor) of our awning fabrics is a unit that indicates to what extent

they increase the human skin's natural protection time to direct sunlight. The length of the natural protection of human skin depends on the skin type. All the designs in our collection have been tested and certified according to the latest and most stringent standard UV 801.

	Sun Protection Factor			Effect on personal well-being	
				Joie de vivre	Inner peace
<b>MayTex-Acryl UNI</b>					
SA 314 001, SA 314 002, SA 314 003, SA 314 011, SA 314 014			80	•	
SA 314 006, SA 314 008, SA 314 016, SA 314 019, SA 314 022, SA 314 038, SA 314 044, SA 314 045, SA 314 154, SA 314 257, SA 314 271, SA 314 344, SA 314 347, SA 314 362, SA 314 364, SA 314 414, SA 314 546, SA 314 624, SA 314 763			80		•
SA 314 325, SA 314 471, SA 314 583		60			•
SA 314 010, SA 314 580, SA 314 018, SA 314 033	40				•
DA 7560		60		•	•
DA 7559, DA 8203		60			•
DA 8779	40				•
<b>MayTex-Poly</b>			80		

### How high is your personal protection factor? Type 1-6

Type	Characteristics	Reaction of the un-protected skin to 30 mins. radiation in June	The human skin's natural protection time	Protection time of the skin when shaded by a parasol		
1	light skin, freckles, fair or red hair, blue or green eyes	always sunburn no tan	5-10 minutes	200-400 minutes	300-600 minutes	400-800 minutes
2	light skin, fair hair, blue or green eyes	always sunburn a slight tan	10-20 minutes	400-800 minutes	600-1200 minutes	800-1600 minutes
3	dark hair, blue eyes	slight sunburn a good tan	20-30 minutes	800-1200 minutes	1200-1800 minutes	1600-2400 minutes
4	dark skin, dark or black hair, brown eyes	no sunburn a good tan	ca. 45 minutes	ca. 1800 minutes	ca. 2700 minutes	ca. 3600 minutes
5	dark skin, black hair, dark eyes	no sunburn	ca. 60 minutes	ca. 2400 minutes	ca. 3600 minutes	ca. 4800 minutes
6	black skin, black hair, black eyes	no sunburn	ca. 90 minutes	ca. 3600 minutes	ca. 5400 minutes	ca. 7200 minutes

## Product properties of awning fabrics

Parasol cloths are high-performance products. However, given the requirements that have to be met in the field of environmental protection, there is a limit to the degree of perfection that can be achieved in spite of present-day state-of-the-art production and processing. As a result, customers may occasionally lodge complaints regarding certain features that can appear on the cloth. Such features neither alter the value of the product, nor do they impair its usability in any way. As we feel committed to providing full consumer information and thus hope to avoid irritation or dissatisfaction, we would like to draw your attention to the following features:

### Crease marks

Crease marks may appear during the production process or when folding the parasol fabric. When held against the light, cloths – particularly those of a light colour – may appear to have a dark streak in the crease.

### Chalk effect

Light chalk-like stripes may arise during the processing of materials. Although the greatest of care is taken, they cannot always be totally avoided. They should, however, not be cause for complaint.

### Water/rain resistance

Acrylic awnings are impregnated with a water-repelling finish and can withstand short periods of light rainfall if treated with proper care. During lengthy periods of rainfall or heavy downpours, however, the parasol should remain closed in order to prevent any material damage. If the cloth becomes wet, the awning should be opened again as soon as possible to allow it to dry.

### Abrasion marks

In the course of time abrasion may weaken the canopy fabric and thus impair its quality. This can be avoided by pulling the cloth between the spokes when closing the parasol and then securing it with a strap to prevent flapping.

### Cleaning instructions

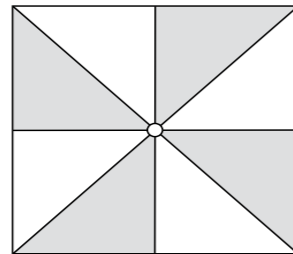
Stains can be cleaned off with a soft brush and Cleano-May 13. Rinse well afterwards with clean water to remove all detergents from the fabric. A high-pressure hose may be used for large-area surfaces (max. 30°C, max. 30 bar, min. distance from canopy covering 30 cm., cleaner: CleanoMay 13).

### Characteristic features of our sewing yarn:

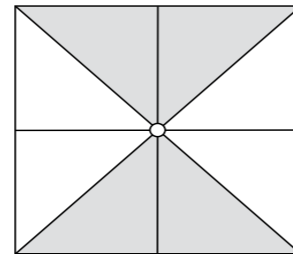
- high tensile strength
- optimum abrasion resistance
- well-balanced elongation property
- high thermal resilience
- good light and weather fastness
- tested acc. to Öko-Test Standard 100

### Canopy covering

Canopy covers can be manufactured from the range of cloths described. If requested, we can also supply canopies with alternating segment colours (1/4 division or 1/8 division).



1/8-division



1/4-division

### Bordering

The canopy covering is trimmed with high-quality awning acrylic edge binding. If not specified otherwise, the border will be chosen to match the colour of the canopy fabric.

