



Operating instructions: type "Schattello"

with SZ118 / SZ119 / SZ121 / SZ122-No Hinge

Thank you very much for purchasing a MAY sunshade.

The following instructions include all information necessary for the correct assembly, operation and maintenance of your MAY sunshade. To guarantee absolute safety when handling your sunshade, please read these instructions carefully and then keep them for later reference.



Caution

Non- observation of operating instructions can result in personal injuries or damage to property!

Please note that if these instructions are not observed, the manufacturer cannot assume any liability or guarantee.

- Always follow the safety regulations.
- Should you not understand any part of these operating instructions, please contact your MAY dealer.



Warning

Wind can damage your sunshade! No guarantee possible!

- Always completely open or close the sunshade. Never leave it merely half-opened, as it is then not fully stable.
- Immediately close the sunshade whenever wind rises.
- If sunshades are erected in an exposed location (e.g. in upcurrents, on sloping ground, in wind corridors, etc.) the weight of the base must be increased.

Unpacking the sunshade

1. Remove the caps on either end of the cardboard tube.



Caution

If the sunshade is improperly withdrawn from the cardboard tube, the canopy fabric may be damaged!

When the sunshade is withdrawn, the metal brackets that fasten the tube caps can tear the fabric.

- Remove all metal brackets from either end of the protective tube before withdrawing the sunshade.

2. Remove the enclosed accessories attached to the centre pole. (headplate, hex spanner, etc.).



3. Holding the support pole, carefully pull the sunshade out of the cardboard tube.



Caution

If the sunshade is laid directly onto the ground, the canopy fabric may get damaged!

When put on the ground, the canopy fabric may possibly get torn or scratched due to the weight of the sunshade.

- Ideally, the umbrella should be safely anchored at once or laid on a soft surface (e.g. a mat or blanket).



Caution

Pulling the sunshade over rough surfaces (brinks, edges, uneven floors) damages the fabric!

- Never pull the sunshade over brinks or edges.
- Do not lean the sunshade against anything.
- When withdrawing the sunshade, place the cardboard tube on a working platform or trestle in order to be away from the ground.

Assembling and erecting the sunshade

1. Remove the protective sleeve. (It only serves transport and storage purposes.)



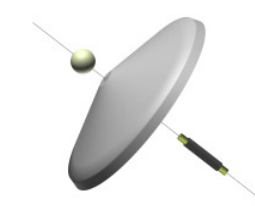
Caution

If a knife is used to remove the packaging, the protective sleeve and the canopy fabric may get damaged!

- Do not use a knife or any other sharp instrument to remove the packaging.

2. The enclosed protective gloves should be used to avoid soiling the fabric.

3. Screw the headplate between the ornamental knob and rubber buffer. (cf. illus.)



ref. 3



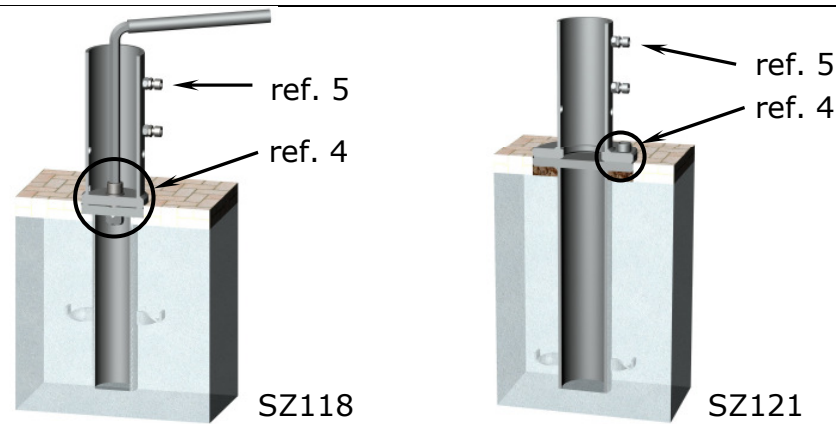
4. Fasten the upper anchor tube to the lower tube with socket head screw(s).



A falling sunshade can cause serious or even fatal injury!

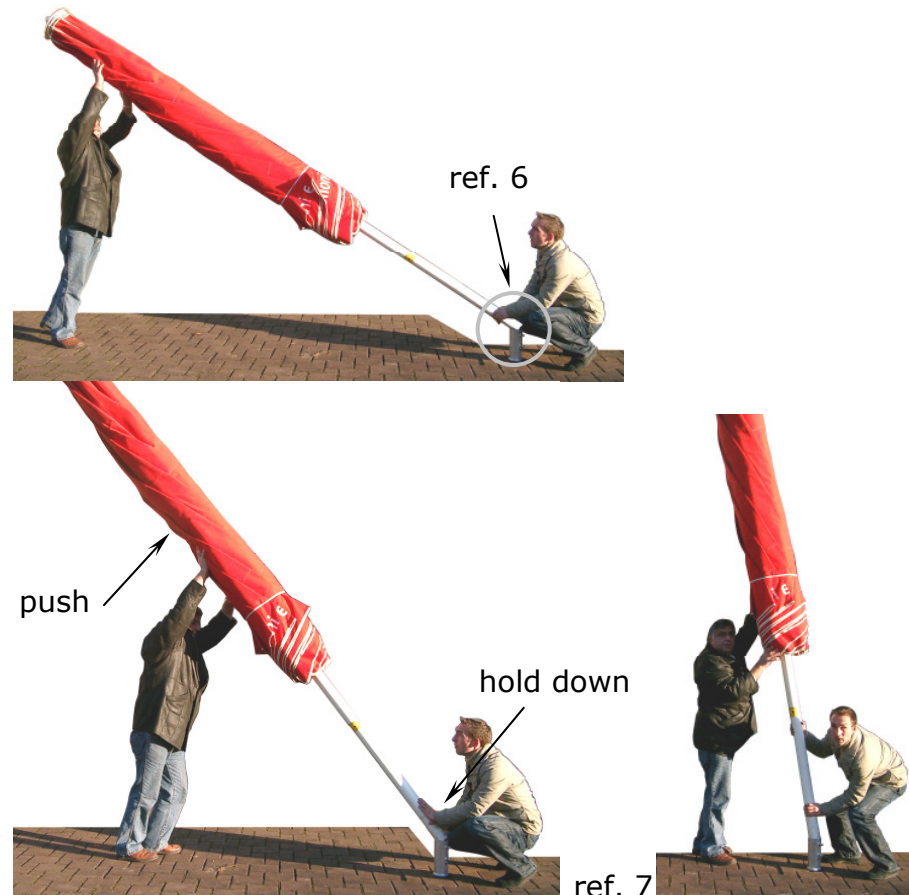
If, during assembly, the anchor tube slips away, it will be impossible to hold onto the sunshade. It will fall down and possibly cause a serious accident.

- Tighten the M16 socket head screw(s) with a torque of 200 Nm.



5. Loosen the horizontal M10 socket head screws until there is sufficient clearance inside the anchor foot for the centre pole to be inserted vertically.

6. Place the bottom end of the sunshade pole onto the upper anchor tube.



7. Erect the sunshade as follows: One person lowers the bottom end of the pole into the upper anchor tube while the others push the sunshade end up to erect it.



Danger

A falling sunshade can cause serious or even fatal injury!

If too few people attempt to erect the sunshade, it may become too heavy and uncontrollable, thus causing a serious accident.

- You will need at least two people to erect the sunshade, possibly even three or four.
- Make sure that there is enough room for the helpers to get out of the way in case the sunshade does start falling.
- Make sure that there are no other people standing around while the sunshade is being erected.
- Be sure that one person does nothing but lower the bottom end of the pole into the upper anchor tube.



Caution

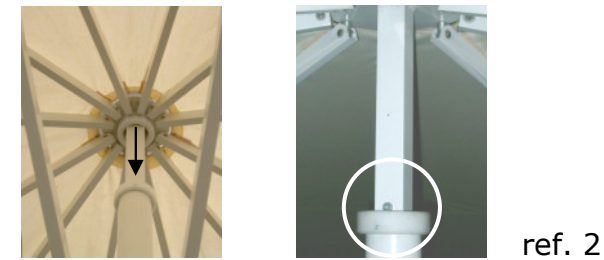
Do not allow the sunshade to plummet into the anchor tube!

Simply dropping the pole into the anchor tube without control may have a detrimental effect on the operating mechanism of the sunshade.

- Slowly lower the pole into the upper anchor tube until it has a firm hold on the bottom surface.

Opening the sunshade

1. Remove the strap from the canopy.
2. Insert the hand crank into the designated bore of the canopy mechanism and open the sunshade by turning it clockwise as far as the limit stop. The sunshade will not be fully taut until the stop screw is well settled on the plastic ring.



Danger

A falling sunshade can cause serious or even fatal injury!

If the sunshade is not firmly anchored in the anchor foot, it may be lifted by the wind.

- Make sure all screws of the anchor foot have been tightened firmly.



Caution

If the hand crank is not fully inserted, it will wear!

- Always insert the hand crank right up to the limit stop.



Caution

The sunshade can be damaged if it is opened with a drilling machine!

When opening a sunshade with a drill, driving too close to the limit stop may damage the operating mechanism.

- Always use the crank for the last few turns up to the stop.



Warning

If the sunshade is not fully opened, it can get damaged by the wind!

- Always open the sunshade as far as the limit stop.

Aligning the sunshade

1. Open the M10 screws of the upper anchor tube.
2. Open the sunshade. (cf. above heading: "Opening the sunshade")

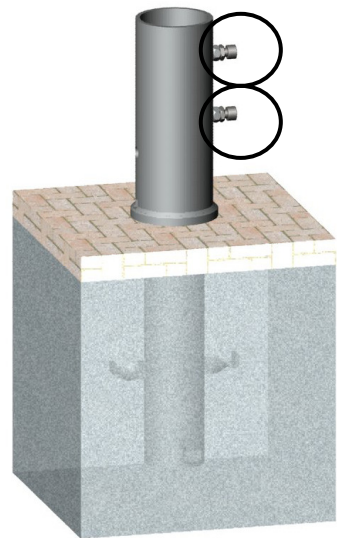


Warning

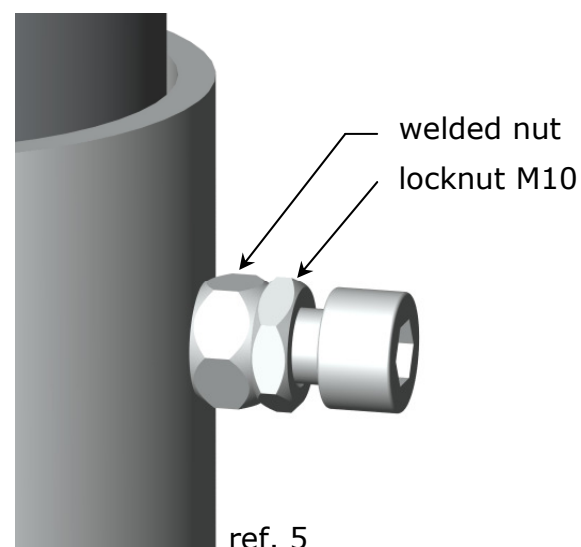
The wind can lift the sunshade out of the upper anchor foot!

- When the M10 screws have been loosened, do not open the sunshade unless the wind is absolutely calm.

3. Turn the erected sunshade within the anchor tube until the required position has been reached (e.g. aligned parallel to the wall of the house).
4. Tighten the M10 screws on the upper anchor foot.



ref. 4



ref. 5

5. Secure the M10 screw with the locknut: Fasten the M10 hex nut clockwise onto the welded nut.



Danger

If the sunshade is not fully anchored, it can cause serious or even fatal injury!

If the M10 screws work loose, the wind can lift the sunshade and may cause serious or even fatal injury.

- Use only the original M10 screws supplied by us. Tighten them firmly and then secure them with the locknuts.

Theft and anti-twisting locks

1. Align the sunshade into the position required. (cf. heading "Aligning the sunshade")
2. Drill the clearance hole for the theft and anti-twisting locks as follows: Holes have been provided in the anchor foot for anti-twisting mechanism. Use these as master/ guide holes and drill from either side through both the sunshade pole and the inner tube, using a \varnothing 13.5 mm twist drill.



ref. 2



ref. 3

3. Slip the bolt through the holes and mount the lock.



Closing the sunshade

1. Insert the crank or the drill bit into the designated bore of the canopy mechanism and close the sunshade by turning it anti-clockwise as far as the limit stop.

2.



Caution

Fabric jammed between the spokes can cause abrasion and scouring marks! No guarantee possible!

- Pull the covering fabric from between the spokes and fold it round the sunshade pole in one direction as you would with an ordinary portable umbrella.



ref. 2:
Pull the fabric through the spokes and fold it in one direction.

ref. 3:
strap

3.



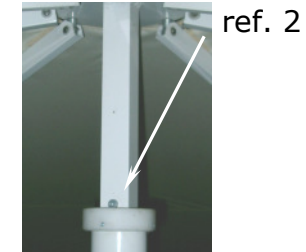
Caution

Wind can do damage to an unsecured sunshade. No guarantee possible!

- Close the sunshade and secure it with the strap provided.

Maintenance: Annual lubrication of the spider frame

1. Loosen the stop screw (socket head screw) of the rectangular tube.
2. Squirt several drops of lubricating oil through the bore hole onto the spider frame.



3. Put the screw back on the rectangular tube.

Maintenance: Cleaning the canopy fabric



Caution

If not cleaned properly, the canopy fabric may become spoilt!

- Follow our cleaning instructions.

Stains can be removed by using either a soft brush and soap solution or a pressure washer (at max. 30° C, max. 30 bar and min. 30 cm standoff distance). Subsequently rinse well with sufficient water so that no soap residues remain in the material.

Storing the sunshade



Caution

The canopy fabric may be spoilt on account of improper storage!

If the following instructions are not observed, mildew may stain the material or the sewing thread may start to moulder.

- Make sure the sunshade is really dry.
- Pull the protective sleeve over the closed sunshade.
- Store the sunshade in a place where mice will not get at it. At best, leave the sunshade outside the whole year round.

MAY maintenance and cleaning service

The MAY company will be pleased to overhaul your sunshade and clean the canopy fabric for you. However, this is only possible off-season, i.e. from October to December.

Please contact your local dealer for information on transport to the MAY premises.



Operating instructions: type "Schattello"

with accessories SZ150 / SZ151 with Hinge

Thank you very much for purchasing a MAY sunshade.

The following instructions include all information necessary for the correct assembly, operation and maintenance of your MAY sunshade. To guarantee absolute safety when handling your sunshade, please read these instructions carefully and then keep them for later reference.



Caution

Non- observation of operating instructions can result in personal injuries or damage to property!

Please note that if these instructions are not observed, the manufacturer cannot assume any liability or guarantee.

- Always follow the safety regulations.
- Should you not understand any part of these operating instructions, please contact your MAY dealer.



Warning

Wind can damage your sunshade. No guarantee possible!

- Always completely open or close the sunshade. Never leave it merely half-opened, as it is then not fully stable.
- Immediately close the sunshade whenever wind rises.
- If sunshades are erected in an exposed location (e.g. in upcurrents, on sloping ground, in wind corridors, etc.) the weight of the base must be increased.

Unpacking the sunshade

1. Remove the caps on either end of the cardboard tube.



Caution

If the sunshade is improperly withdrawn from the cardboard tube, the canopy fabric may be damaged!

When the sunshade is withdrawn, the metal brackets that fasten the tube caps can tear the fabric.

- Remove all metal brackets from either end of the protective tube before withdrawing the sunshade.

2. Remove the accessories attached to the top cap (headplate, hex key, etc).



3. Holding the support pole, carefully pull the sunshade out of the cardboard tube.



Caution

If the sunshade is laid directly onto the ground, the canopy fabric may be damaged!

When put on the ground, the canopy fabric may possibly get torn or scratched due to the weight of the sunshade.

- The umbrella should be safely anchored at once or laid on a soft surface (e.g. a mat or blanket).



Caution

Pulling the sunshade over rough surfaces (brinks, edges, uneven floors) damages the fabric!

- Never pull the sunshade over brinks or edges.
- Do not lean the sunshade against anything.
- When withdrawing the sunshade, place the cardboard tube on two worktables or trestles in order to be away from the ground.

Assembling and erecting the sunshade

1. Remove the protective sleeve. (It only serves transport and storage purposes.)



Caution

If a knife is used to remove the packaging, the protective sleeve and the canopy fabric may get damaged!

- Do not use a knife or any other sharp instrument to remove the packaging.

2. The enclosed protective gloves should be used to avoid soiling the fabric.

3. Screw the headplate tightly between the ornamental knob and the rubber buffer and mount it onto the top of the sunshade. (cf. illus.)



4. Use the socket head screws to fasten both the upper anchor tube and the hinge plate to the lower tube.

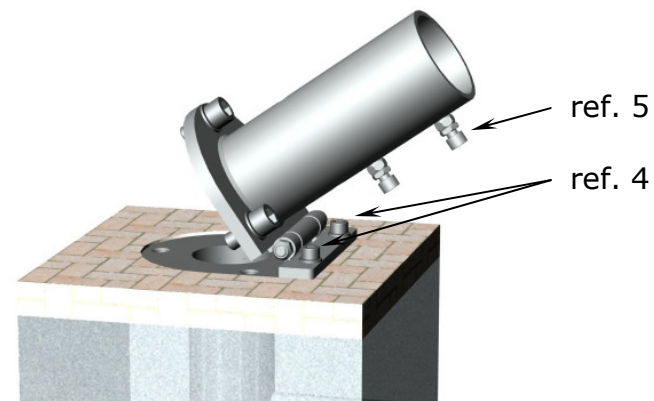


Danger

A falling sunshade can cause serious or even fatal injury!

If, during assembly, the anchor tube slips away, it will be impossible to hold onto the sunshade. It will fall down and possibly cause a serious accident.

- Firmly tighten the M10 socket head screws.



- Loosen the horizontal M10 screws until there is sufficient clearance inside the anchor tube for the centre pole to be inserted horizontally.
- Push the bottom end of the pole into the upper anchor tube. Then firmly tighten the M10 screws.
- Hold the sunshade in a horizontal position and connect the underground cable with the electric cable in the sunshade pole. Allow a surplus of at least 50cm length of the underground cable and wind this into the centre pole. The cable connection must be waterproof and detachable.



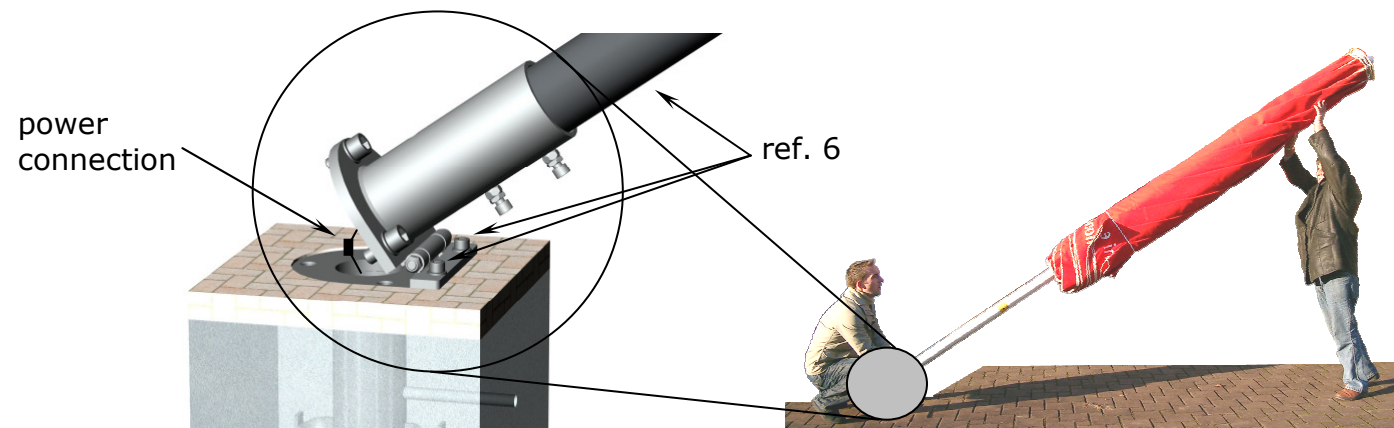
Danger

Electric installation work should be carried out solely by a certified electrician. Disregarding this warning may result in serious personal injuries.



Danger

Secure your sunshade with a residual current circuit breaker / RCB or RCBO (30mA). Please note: according to legal requirements, RCB/RCBO protection switches must be checked by the operator at least every six months. Non observation may result in personal injuries.



Danger

A falling sunshade can cause serious or even fatal injury!

If too few people attempt to erect the sunshade, it may become too heavy and uncontrollable, thus causing a serious accident.

- You will need at least two people to erect the sunshade, possibly even three or four.
- Make sure that there is enough room for the helpers to get out of the way in case the sunshade does start falling.
- Make sure that there are no other people standing around while the sunshade is being erected.



- Fasten the upper anchor tube to the lower tube using socket head screws and the serrated lock washer.

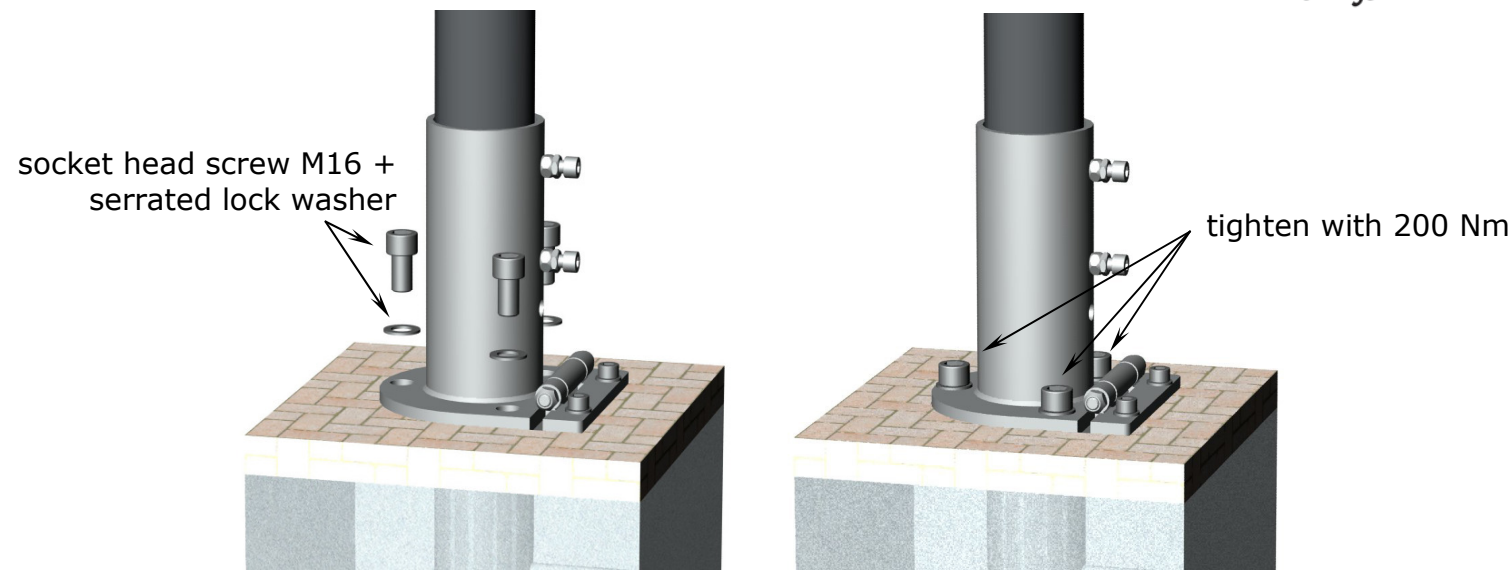


Danger

A falling sunshade can cause serious or even fatal injury!

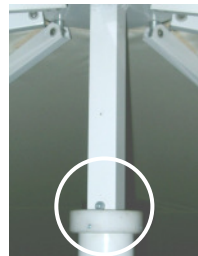
If, during assembly, the anchor tube slips away, it will be impossible to hold onto the sunshade. It will fall and possibly cause a serious accident.

- Place the washers onto the M16 socket head screws.
- Tighten all three M16 socket head screws with a torque of 200 Nm.



Opening the sunshade

1. Remove the strap from the canopy.
2. Insert the hand crank into the designated bore of the canopy mechanism and open the sunshade by turning it clockwise as far as the limit stop. The sunshade will not be fully taut until the stop screw is well settled on the plastic ring.



ref. 2



Danger

A falling sunshade can cause serious or even fatal injury!

If the sunshade is not firmly anchored in the anchor tube, it may be lifted by the wind.

- Make sure all screws of the anchor tube have been tightened firmly.



Caution

If the crank/hex key is not fully inserted, it will wear!

- Always insert the crank/hex key into the bore right up to the limit stop.



Caution

The sunshade can be damaged if it is opened with a drilling machine!

When opening a sunshade with a drill, driving too close to the limit stop may damage the operating mechanism.

- Always use the crank for the last few turns up to the stop.



Warning

If sunshades are not fully opened, they can get damaged by the wind!

- Always open the sunshade as far as the limit stop.

Aligning the sunshade

1. Open the M10 screws of the upper anchor tube.
2. Open the sunshade (cf. above heading: "Opening the sunshade")

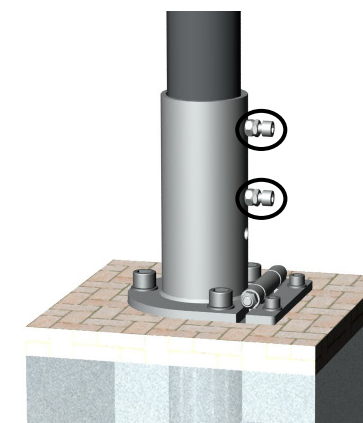


Warning

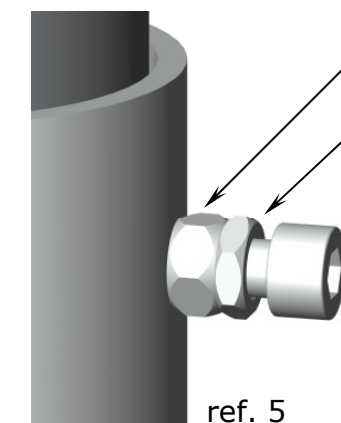
The wind can lift the sunshade out of the upper anchor tube!

- When the M10 screws have been loosened, do not open the sunshade unless the wind is absolutely calm.

3. Turn the erected sunshade within the anchor tube until the required position has been reached (e.g. aligned parallel to the wall of the house).
4. Tighten the M10 screws on the upper anchor tube.



ref. 4



ref. 5

welded nut

locknut M10

5.



Gefahr

If the sunshade is not fully anchored, it can cause serious or even fatal injury!

If the M10 screws work loose, the wind can lift the sunshade.

- Use only the original M10 screws supplied by us. Tighten them firmly and then secure them with the locknuts.



Theft and anti-twisting locks

1. Align the sunshade into the position required. (cf. heading "Aligning the sunshade")
2. Drill the clearance hole for the theft and anti-twisting lock as follows: Bore holes for the anti-twisting mechanism have already been provided in the anchor tube. Use these as master/guide holes and drill from either side through both the sunshade pole and the inner tube. Use a \varnothing 12.5 mm twist drill.



ref. 2



ref. 3



Caution

Drilling may damage electric cables that are routed through the pole of the sunshade.

- Make sure the cable is not energized.
- If there are electric cables inside the support pole of your sunshade, make sure that they are not routed too close to the bore holes, otherwise they may be penetrated and damaged by the drill.

3. Slip the bolt through the holes and fix the lock.

Closing the sunshade

1. Insert the crank or the drill bit into the designated bore of the canopy mechanism and close the sunshade by turning it anti-clockwise as far as the limit stop.

2.



Caution

Fabric jammed between the ribs can cause abrasion and scouring marks. No guarantee possible!

- Pull the covering fabric from between the ribs and fold it round the sunshade pole in one direction as you would with an ordinary portable umbrella.

The photograph has been tilted 90° to save space.

ref. 3:
strapref. 2:
Pull the fabric through the ribs and
fold it in one direction!

3.



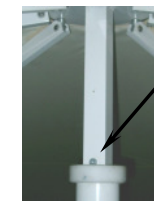
Caution

Wind can do damage to an unsecured sunshade. No guarantee possible!

- Close the sunshade and secure it with the strap provided.

Maintenance: Annual lubrication of the spider frame

1. Loosen the stop screw (socket head screw) of the rectangular tube.
2. Squirt several drops of lubricating oil through the bore hole onto the spider frame.



refs.1 and 2

3. Put the stop screw back on the rectangular tube.

Maintenance: Cleaning the canopy fabric



Caution

If not cleaned properly, the canopy fabric may become spoilt!

- Follow our cleaning instructions.

1. Stains can be removed by using either a soft brush and soap solution or a pressure washer (at max. 30° C, max. 30 bar and min. 30 cm standoff distance). Subsequently rinse well with sufficient water so that no soap residues remain in the material.

Storing the sunshade



Caution

The canopy fabric may be spoilt on account of improper storage!

If the following instructions are not observed, mildew may stain the material or the sewing thread may start to moulder.

- Make sure the sunshade is really dry.
- Pull the protective sleeve over the closed sunshade.
- Store the sunshade in a place where mice will not get at it. At best, leave the sunshade outside the whole year round.

MAY maintenance and cleaning service

The MAY company will be pleased to overhaul your sunshade and clean the canopy fabric for you. However, this is only possible off-season, i.e. from October to December.

Please contact your local dealer for information on transport to the MAY premises.