

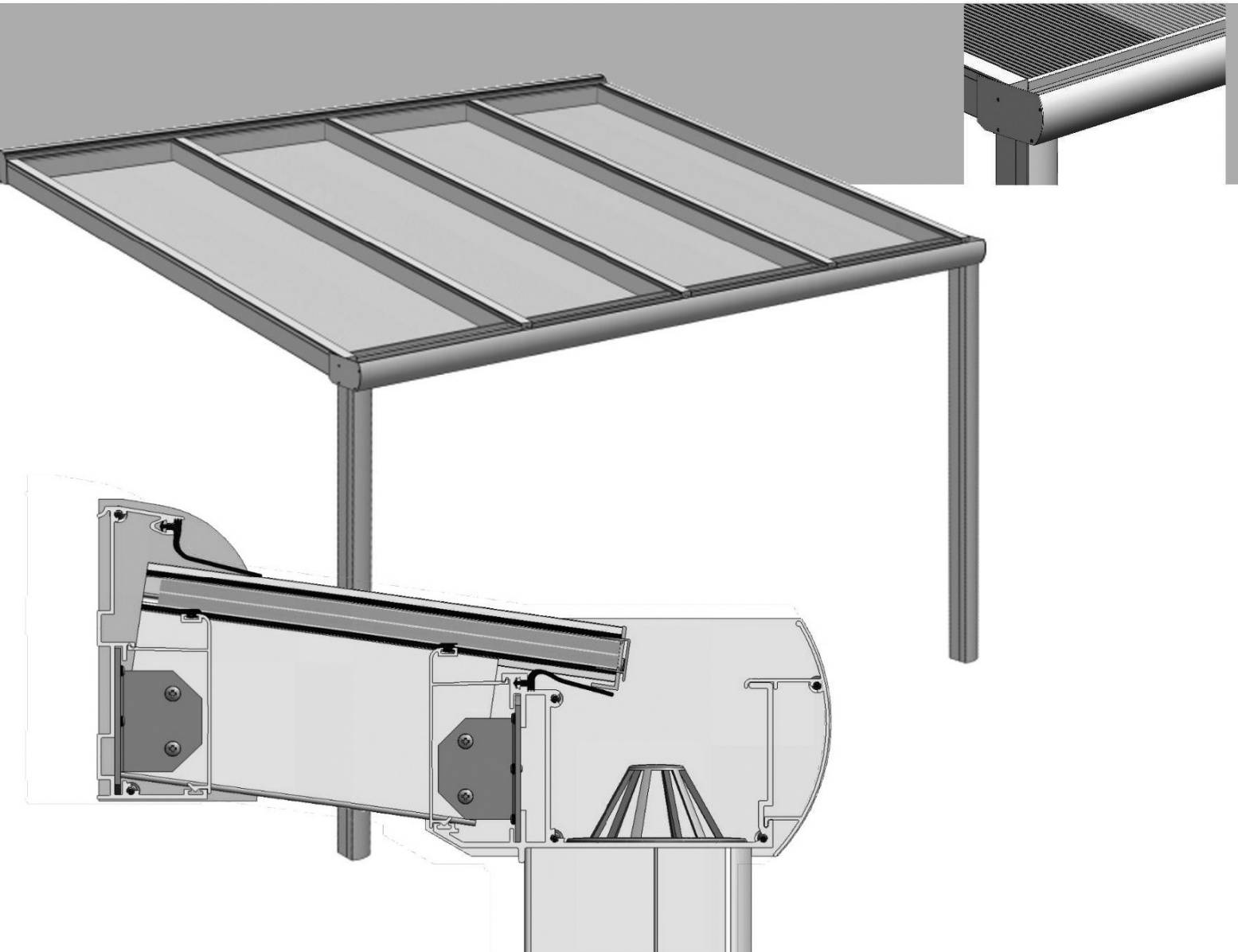
# Piazza Patio Roof

Making the most of outdoor living

## Installation Instruction Manual

# Piazza

## Patio Roof



# Piazza Patio Roof

Making the most of outdoor living

## General information

### Critical dimensions

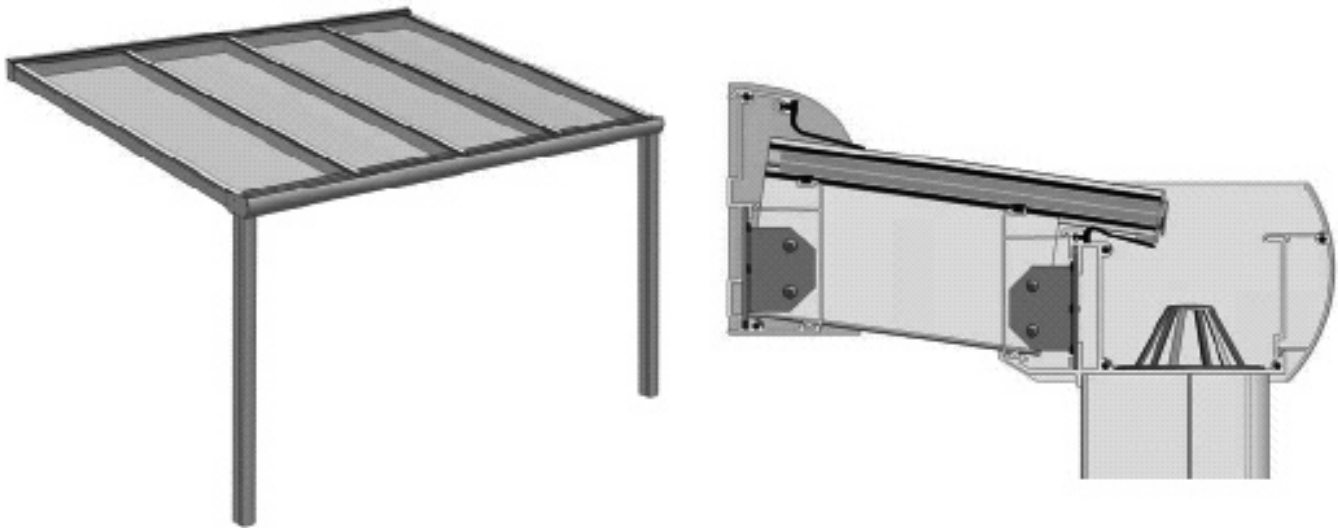
Maximum overall width 7000mm

Maximum distance between vertical supports 3500mm

Maximum width the Piazza can project beyond the vertical supports 500mm

Maximum projection 3500mm

The roof angle can vary between 5° and 12°



### Roof pressure

This product has been designed to withstand a load of 56kg/m<sup>2</sup> for a roof span of 4m wide. A roof which is 6m wide can still be supplied with two vertical supports as long as the distance between them is no greater than 4m. If the roof is wider than 6m you will need a minimum of 3 vertical supports.

### Planning permission

In some cases planning permission will be required before you can begin construction of the Piazza Patio Roof. Please contact your local planning authorities for further details.

### Adjusting the sizes of the polycarbonate roof panels

If you wish to adjust the size of the roof panels manually, you must use a fine tooth saw. After sawing the panels must be blown clean and must be retaped. For retaping you need 38mm tape (stock code TP000BG) on the wall and perforated 38mm tape (stock code TP001BG) on the gutter edge.

### Maintenance

Rinse the loose dirt with a sufficient amount of water from the panels. Clean the panels with a mild soap solution (for instance dish washing detergent) and a soft cloth or sponge. Do not use a hard brush, sharp objects, isopropanol or solvents on the plates. Never clean the panels in the sun or on hot days.

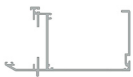













# Piazza Patio Roof

Making the most of outdoor living

## General information

### Part dimensions

The cut dimensions for the profiles, roof panels and rubber strips are shown below. All parts should be supplied cut to the correct length to suit the sizes provided on your order.

Part number	Image	Description	Calculation
TG001B0		Roof gutter	Overall width - 6mm
GP001B0		Gutter finishing profile	Overall width - 6mm
WP001B0		Wall profile	Overall width - 6mm
CP000B0		Click in cover profile	$(\text{Overall width} - 6\text{mm} - (\text{no. of support beams} \times 61)) / \text{no. of panels}$
SB001B0		Support beam	Panel length - 65mm
PS000B1		Polycarbonate panel support	Panel length
SP000B0		Side finishing profile	Panel length
RP001B0		Roof panel finishing profile	Panel length
RU000BB		Rubber for finishing profile	$((\text{no. of support beams} \times 4) - 2) \times \text{panel length} + 2 \times \text{width} - 12\text{mm}$
SR000BB		Sealing rubber	2 x overall width - 12mm
VS001B0		Vertical support	Height under gutter + depth below the ground
VC001B0		Vertical support cover	Height under gutter + depth below the ground
FP000B0		Frame finishing profile 16mm	$(\text{Overall width} - 6\text{mm} - (\text{no. of support beams} \times 61)) / \text{no. of panels}$
		Polycarbonate panel	$(\text{Overall width} - 42\text{mm} - (\text{no. of support beams} \times 25)) / \text{no. of panels}$

## Required tools & fixings

Fixings are supplied to assemble the Piazza but additional suitable fixings will need to be purchased from a specialist supplier to fasten the Piazza to a wall.

The following tools are a minimum guide and will need to be adapted for each installation.

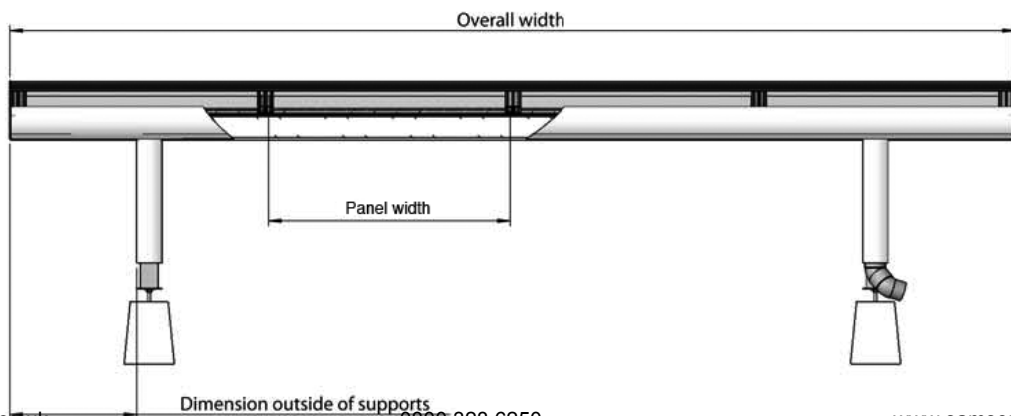
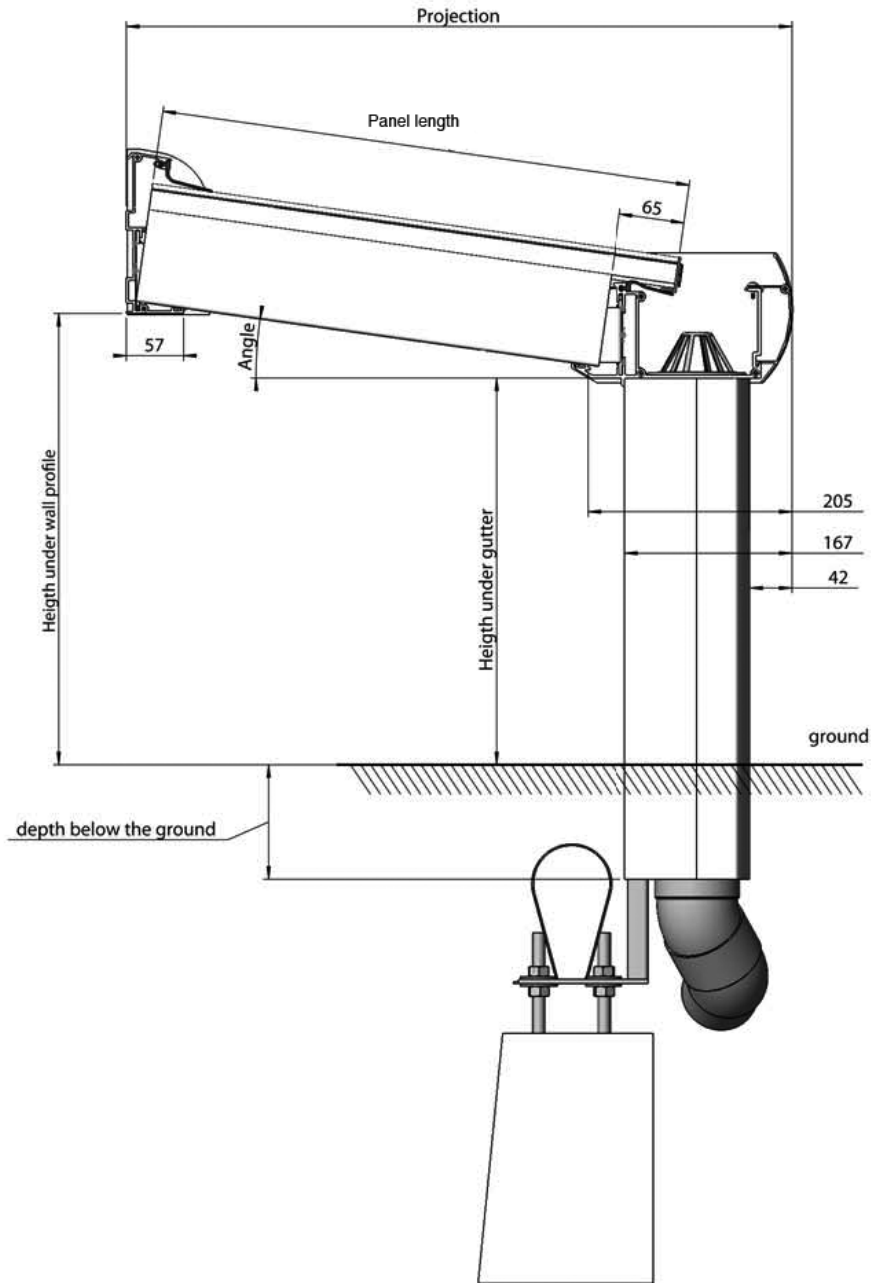
- 86mm hole saw & 4.5mm drill bit
- 10mm socket
- screw drivers
- plastic hammer
- tape measure
- marker pen
- hack saw / circular chop saw
- spade
- silicone gun & sealant
- spirit level
- drill with hammer action
- cordless drill
- step ladders / scaffolding
- metal files
- knife / snips

# Piazza Patio Roof

Making the most of outdoor living

## General information

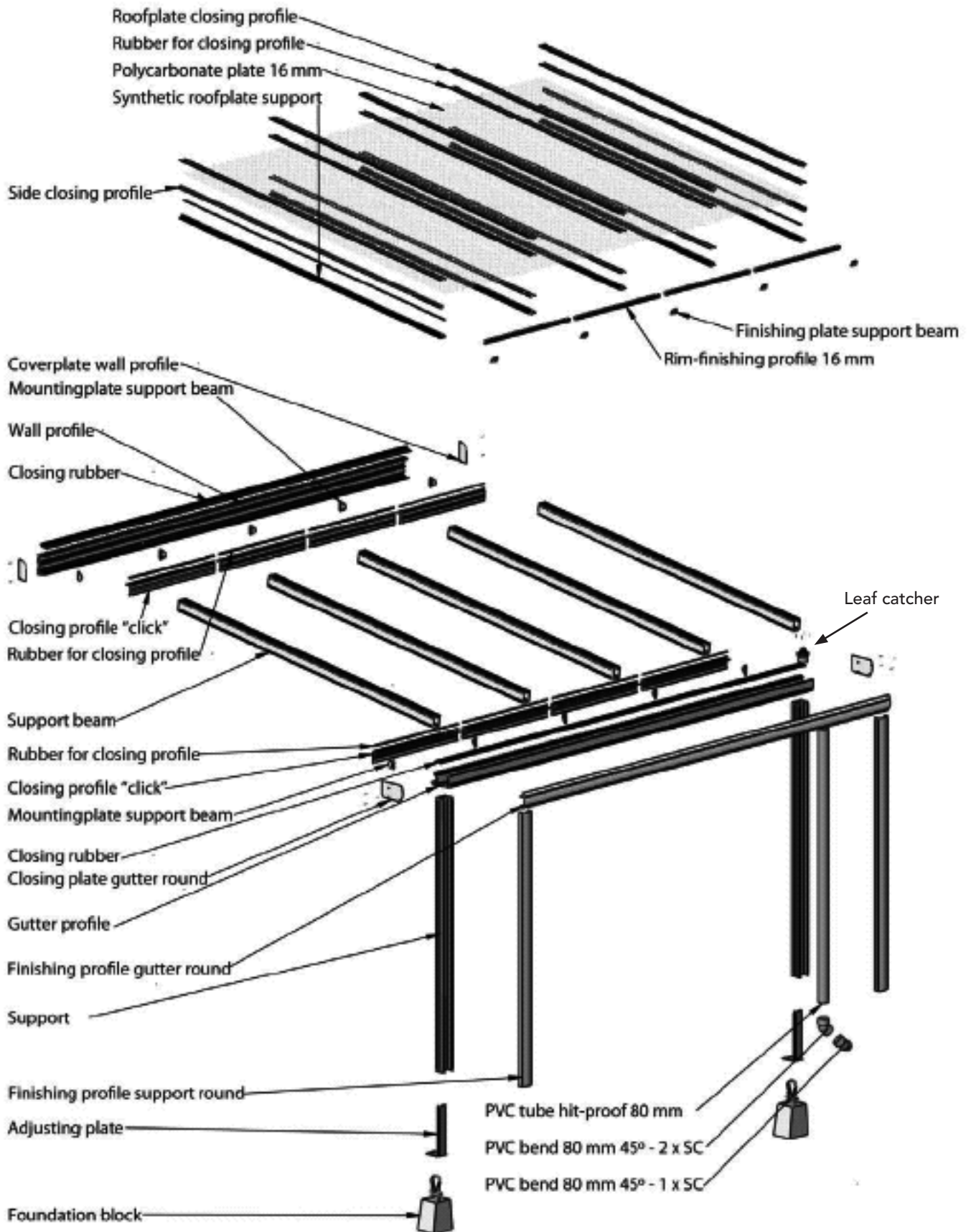
### Key dimensions



# Piazza Patio Roof

Making the most of outdoor living

## General information Exploded view



# Piazza Patio Roof

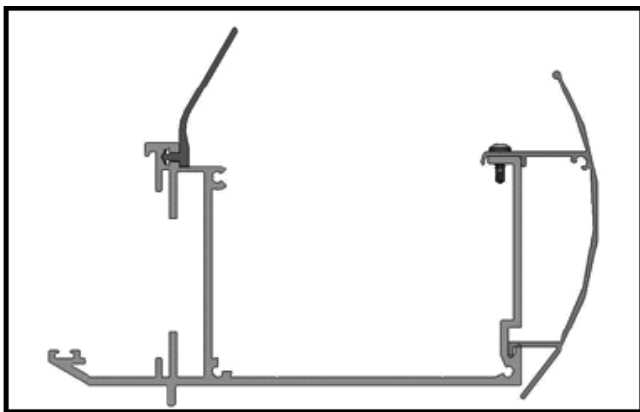
Making the most of outdoor living

## Preparing the product for installation

All the steps listed on this page can be performed on site or at your premises before you take the product to site.

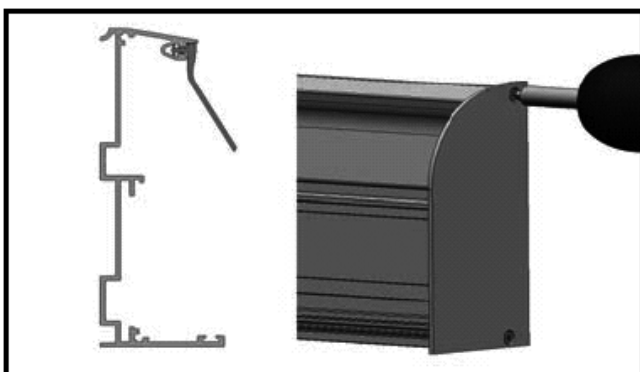
During the installation of the Piazza you should follow safe working practices. Further advice is available from the Health & Safety Executive (HSE).

1. Check the lengths of all parts using the calculations given on page 3.
2. Drill 4.5mm diameter holes in the gutter profile in preparation for the attachment of the supports (see paper template supplied).
3. Also drill an 80mm diameter hole in the gutter profile for the leaf catcher (see paper template supplied).
4. Hook the finishing profile into the gutter profile and fasten in place with self-drilling screw 4,2x13 mm in several positions (pic. 1).
5. Push the closing rubber in the gutter (pic. 1).



Picture 1, attaching the finishing profile and the rubber

6. Push the closing rubber in the wall profile (pic. 2).
7. Fasten the wall profile end plates on both sides of the wall profile using countersunk head self tapping screws 4,2x32mm. (pic. 2).



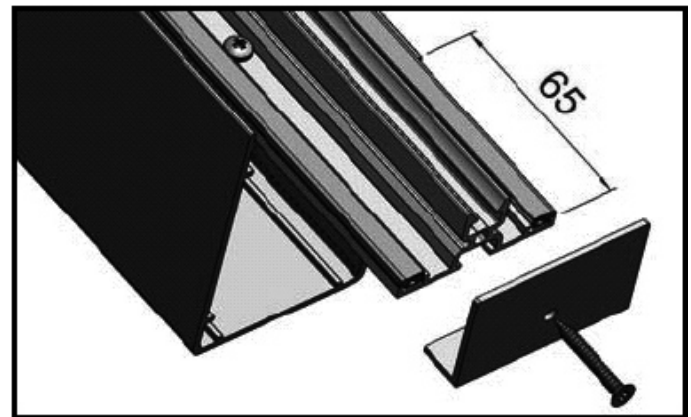
Picture 2, attaching the rubber and the end plates

8. Slide the synthetic roof support profiles on the support beams and align them on the upper side. On the outer side the profile will be 65 mm longer (pic. 3).

9. Fasten the synthetic roof support profiles to the support beams in four positions (divided over the length) with self drilling screws 4,2x13 mm (pic. 3).

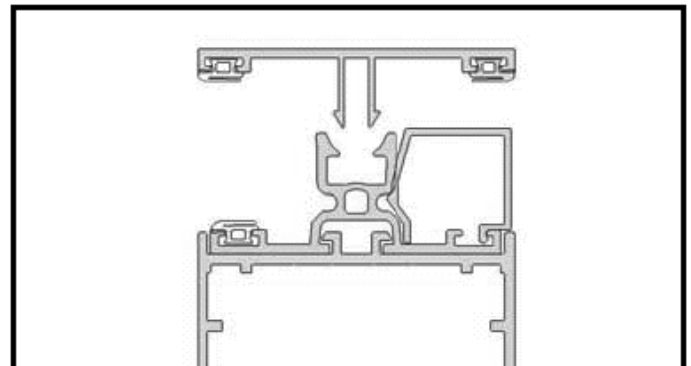
Warning! Do not put position the screws where the side closing profiles will be on the outer support beams.

10. Fasten the cover plate to the roof support profile, on the side which extends beyond the roof support profile, with countersunk head tapping screws 4,2x32mm (pic. 3).



Picture 3, assemble the roof support

11. Click the side closing profile into the synthetic profile (pic. 4).
12. Push the roof plate rubber strips into the synthetic roof support profiles and into the closing profiles (pic. 4).



Picture 4, place rubber strips and side closing profile

Note: when using the optional lighting kit, the holes for the spots must be pre drilled in the support beams in a position of your choice. The wiring must be pre-installed from the drilled holes to the top side of the support beam. Let the wires stick out of the top side of the support beam.

# Piazza Patio Roof

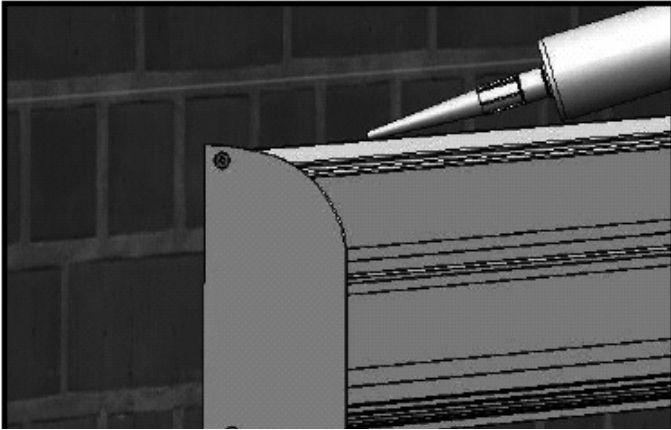
Making the most of outdoor living

## Installation instructions

13. Make sure there are enough suitable fixings for attaching the Patio Roof to the wall (ask your fixings supplier for advice). \*\* Max. 600mm centres \*\*

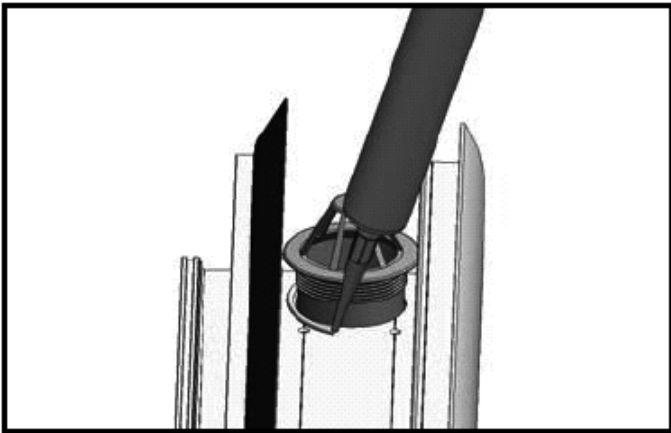
14. Mark the position of the wall profile on the wall. Drill holes in the profile and the wall. Fasten the wall profile to the wall ensuring that it is level. (pic. 6).

15. Seal the seam in between the wall and the wall profile on the top side, while you can still reach it (pic. 6).



Picture 6, place wall profile and seal it

16. Apply a small rim of sealant around the 80mm hole in the gutter and insert the leaf catcher. Screw on the fitting on the lower side of the leaf catcher beneath the gutter profile (pic. 7).



Picture 7, place the leaf catcher

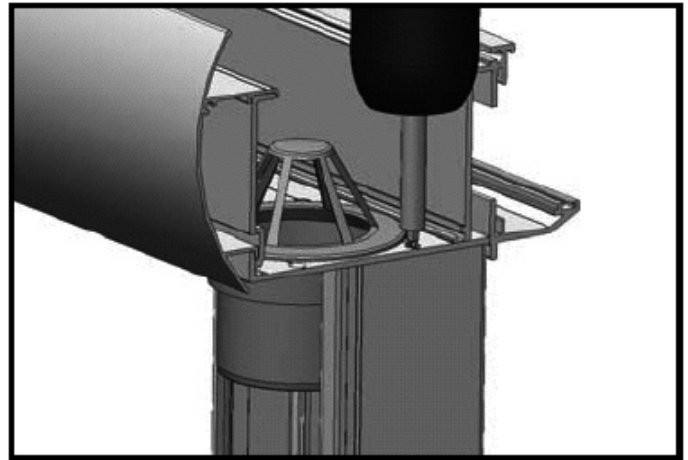
17. Fasten the gutter to the supports with the countersunk self tapping screws 4,2x32mm (pic. 8)

18. Fasten the cover plates to the gutter with countersunk self tapping screws 4,2x32 mm (pic. 9).

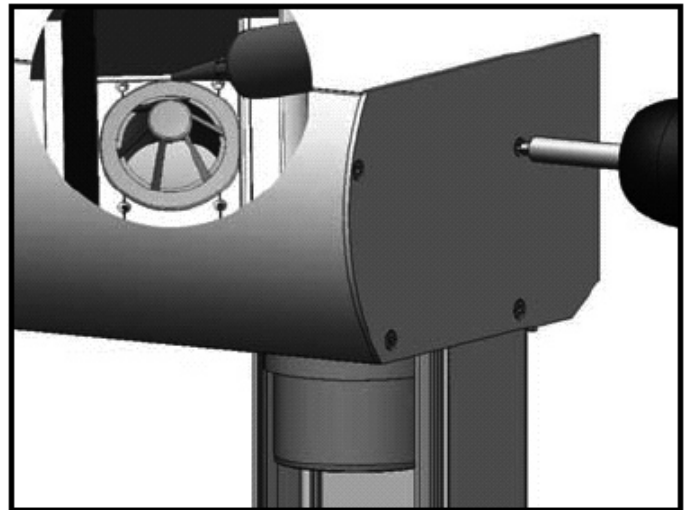
19. Seal the seam in between the cover plates and the gutter to make it water tight (pic. 9).

20. Determine the position of the foundation blocks and dig a hole in the ground. Make sure that you have a solid and

stable foundation.



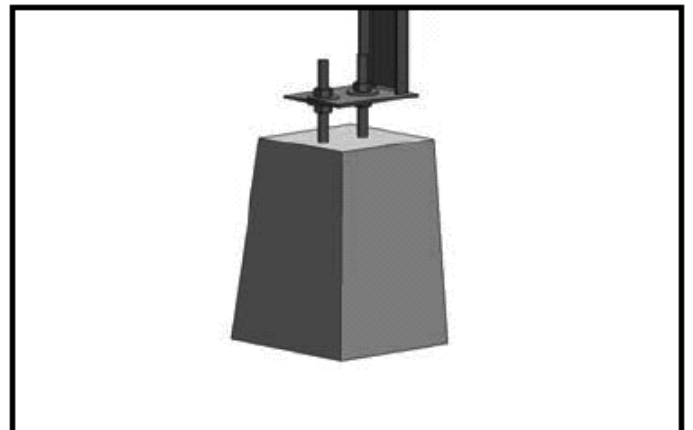
Picture 8, fasten the gutter to the supports



Picture 9, mounting and sealing of coverplate

21. Place the foundation blocks in the holes and put them in the right position.

22. Fasten the steel adjusting plate on the stud bolts of the foundation block and put them in approximately the right position (pic. 10)



Picture 10, place foundation block with adjusting plate

# Piazza Patio Roof

Making the most of outdoor living

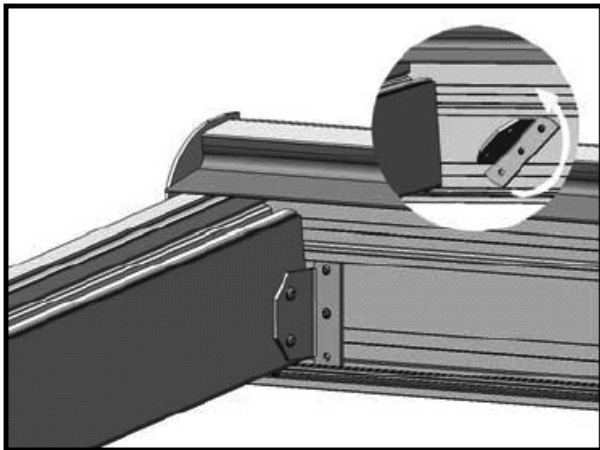
## Installation instructions

23. Put the supports with the gutter in an upright position and slide them over the steel adjusting plate on the concrete foot. Temporarily adjust the height of the gutter. (if needed you can use a temporary support) (pic. 11).



Picture 11, Put the supports with the gutter in an upright position

24. Now put the two outer support beams with the side closing profile against the end caps on the wall profile and the gutter. Place the fastening plates for the support beams and fasten them with the self tapping screw 4,2x13 mm and the hexagon socket head screws (pic. 12).



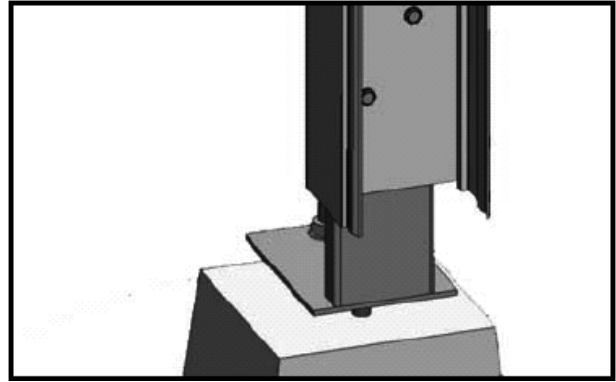
Picture 12, place the outer support beams

25. Check that the roof is rectangular by measuring cross ways and adjust to the correct height of the gutter (pic. 13).



Picture 13, measuring and adjusting

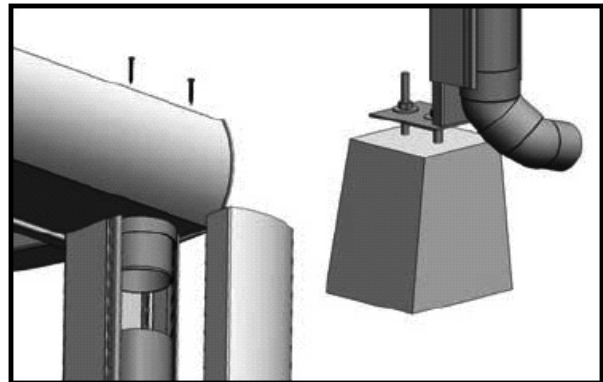
26. Fasten the supports to the adjusting plates in their permanent position. Use 3 hexagonal self drilling screws 6,3x19 mm per support (pic. 14).



Picture 14, fasten support on the correct height

27. Fasten a PVC rain-water waste pipe to the base of the leaf catcher and make sure that it will be longer than the support for a good further course (pic. 15).

28. Click the finishing profile on the support and fasten this (in the gutter) to the gutter with a counter sunk head tapping screws (pic. 15).



Picture 15, place the waste and the finishing profiles

If lighting has been fitted in the support beams you have to be aware of the following:

- The power supply
- The positioning of transformers that will be behind the click profiles.

Prepare the click in cover profiles by inserting the rubber for the finishing profile.

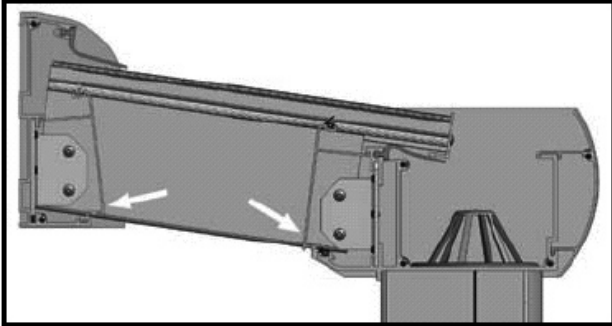


# Piazza Patio Roof

Making the most of outdoor living

## Installation instructions

29. Click the first two cover profiles in the gutter and the wall profile. Fasten the profile on the topside and click it into the polycarbonate panel support (pic. 16). **ATTENTION:** always work from one side to the other when placing the beams and roof panels.



Picture 16, clicking the cover profiles

30. Place the first beam with the mounting plates. Push the beam tightly against the cover profile and fasten this with the mounting plates as mentioned in point 24.

31. Click in the next cover profile and place the next support beam, etc.

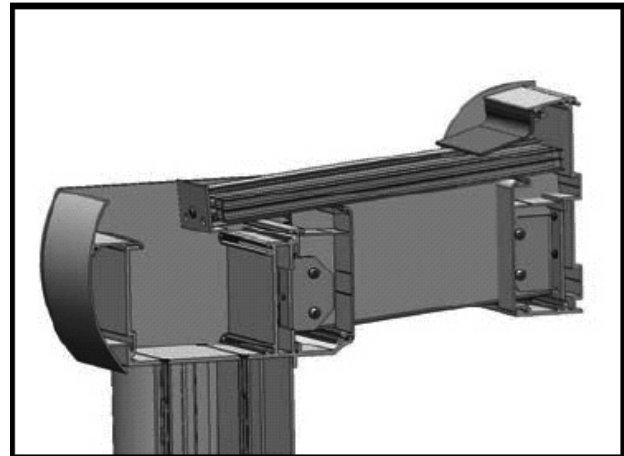
32. The last cover profile should be cut to the right length on site (pic. 17).



Picture 17, place support beams / saw last 2 cover profiles

33. If the top or bottom side of the roof panel has been shortened it will need to be re-taped. For re-taping you need the solid tape on the wall-side and the perforated tape on the gutter-side.

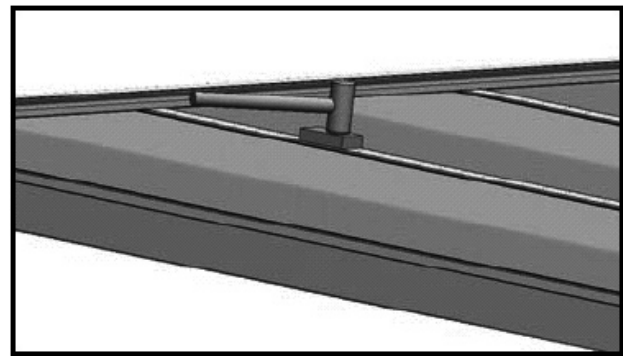
34. Place the first roof panel on the synthetic roof supports. Slide this under the closing rubber of the wall profile and align the plate with the front side of the synthetic roof support (pic. 18). **REMEMBER:** the solid tape on the wall-side, perforated tape on the gutter side.



Picture 18, place the panel under the rubber

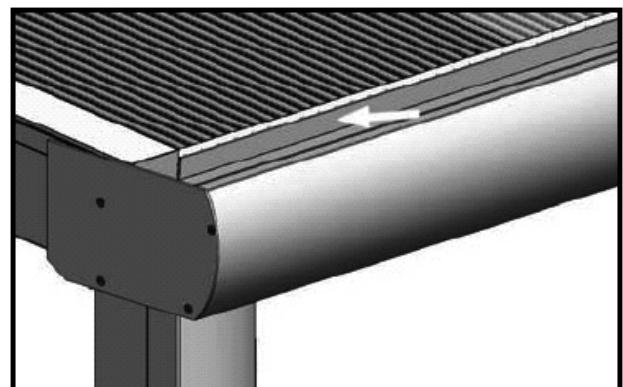
35. Place the outer closing profile centered on the synthetic roof support. Use a hammer and a wooden block to tighten the closing profile. (pic. 19). Remove the protective foil on both sides of the roof panel.

36. Place the next roof panel next to the first one, slide this under the closing rubber and fasten the closing profile between this plate and the first one. Remove the protective foil on both sides of the roof panel. Finish placing the roof panels like this working from one side to the other (pic. 19).



Picture 19, place the other panels

37. Slide the frame-finishing profiles on the front side of the roof panels (pic. 20). The protruding edge should point down into the gutter.



Picture 20, place rim finishing