

TR20A120 RE / 02.2012

DE

Anleitung für Montage und Betrieb

Funk-Codetaster FCT 10 BiSecur

EN

Instructions for fitting and operating

Radio code switch FCT 10 BiSecur

FR

Instructions de montage et d'utilisation

Clavier à code sans fil FCT 10 BiSecur

NL

Handleiding voor montage en bediening

Radiocodeschakelaar FCT 10 BiSecur

IT

Istruzioni per il montaggio e l'uso

Tastiera a radiocodice FCT 10 BiSecur

ES

Instrucciones de montaje y funcionamiento

Pulsador codificado vía radiofrecuencia FCT 10 BiSecur

PT

Instruções de montagem e funcionamento

Codificador por radiofrequência FCT 10 BiSecur



Contents

1	About these instructions	21
2	Safety instructions	21
2.1	Intended use.....	21
2.2	Safety instructions for operation of the radio code switch.....	21
3	Scope of delivery	22
4	Description of the radio code switch FCT 10 BiSecur	23
5	Fitting	23
6	Initial start-up	25
6.1	Inserting the batteries.....	25
7	Operation	25
8	Programming the access code	26
8.1	First access code.....	26
8.2	The second to tenth access codes	26
9	Changing an access code	27
10	Normal operation	27
10.1	Sending a radio code via a personal code	27
10.1.1	Retransmission	28
10.2	Transmitting via the bell / light key	28
10.3	Blocking after several incorrect personal codes are entered	28
11	Teaching in and inheriting a radio code	28
11.1	Teaching in a radio code.....	28
11.2	Inheriting /transmitting a radio code	29
11.3	Inheriting the radio code from the bell / light button	30
11.4	Mixed operation / BiSecur and fixed code 868 MHz	30
12	Adjustment options	30
12.1	Activating or deactivating retransmission.....	30
12.2	Signal tone volume	31
12.3	Recoding a memory space.....	31
13	Reset	32
13.1	Setting the fixed code 868 MHz.	32
14	LED display / signal tones	33
15	Cleaning	34
16	Disposal	34
17	Technical data	34
18	EC Declaration of Conformity	35

Dissemination as well as duplication of this document and the use and communication of its content are prohibited unless explicitly permitted. Noncompliance will result in damage compensation obligations. All rights reserved in the event of patent, utility model or design model registration. Subject to changes.

Dear Customer,

We thank you for choosing a quality product from our company.

1 About these instructions

Read through all of the instructions carefully, as they contain important information about the product. Pay attention to and follow the instructions provided, particularly the safety instructions and warnings.

Further information about handling the radio code switch can be found on the Internet at **www.hoermann.com**

Please keep these instructions in a safe place and make sure that they are available to all users at all times.

2 Safety instructions

2.1 Intended use

The radio code switch FCT 10 BiSecur is a unidirectional transmitter for operators and their accessories. It can be operated with both the BiSecur radio and the fixed code 868 MHz.

Other types of application are prohibited. The manufacturer is not liable for damage caused by improper use or incorrect operation.

2.2 Safety instructions for operation of the radio code switch



WARNING

Danger of injury during door travel

Persons may be injured by door travel if the radio code switch is actuated.

- ▶ Make sure that the radio code switches are kept away from children and can only be used by people who have been instructed on how the remote-control door functions!
- ▶ If the door has only one safety feature, only operate the radio code switch if you are within sight of the door!
- ▶ Only drive or pass through remote control door systems if the door is in the Open end-of-travel position!
- ▶ Never stand in the door's area of travel.

 **CAUTION****Danger of injuries due to unintended door travel**

- ▶ See warning in section 11

ATTENTION**Malfunction due to environmental influences**

Non-compliance with these instructions can impair function!

Permissible ambient temperature: -20 °C to +60 °C.

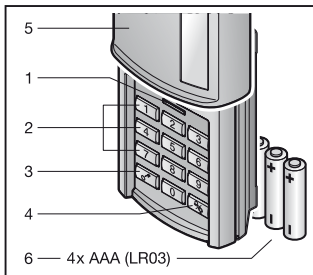
NOTES:

- If there is no separate garage entrance, perform all programming changes and extensions of radio systems from inside the garage.
- After programming or extending the radio system, perform a function test.
- Only use original components when putting the radio system into service or extending it.
- Local conditions may affect the range of the radio system.
- When used at the same time, GSM 900 mobile phones can affect the range.

3 Scope of delivery

- Radio code switch FCT 10 BiSecur
- 4x 1.5 V battery, type: AAA (LR03)
- Fixing material
- Operating instructions

4 Description of the radio code switch FCT 10 BiSecur

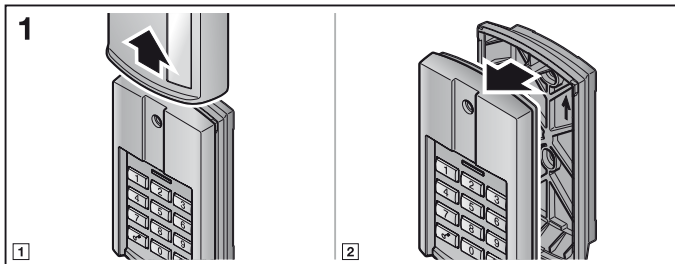


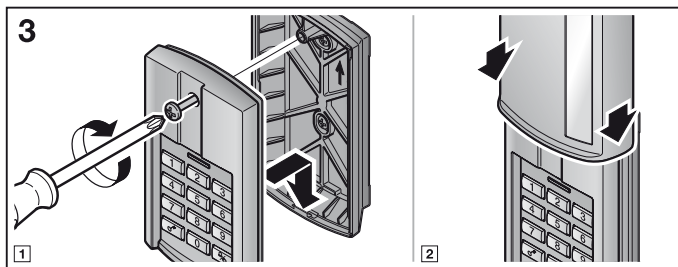
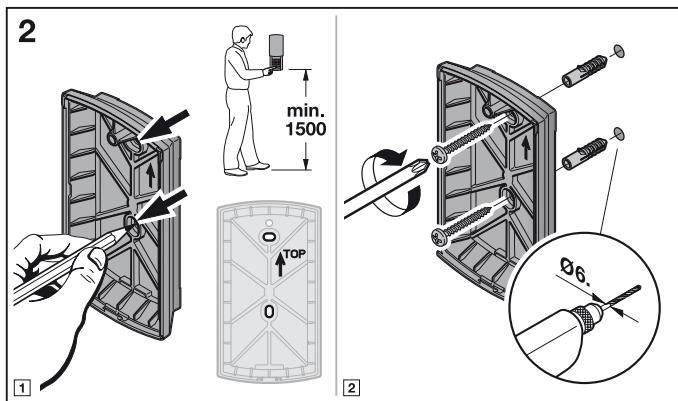
- 1 LED, bi-colour
- 2 Numerical keys
- 3 Key switch
- 4 Bell/light button
- 5 Sliding cover
- 6 Batteries

5 Fitting

NOTE:

Before fitting the radio code switch, make sure that the radio code can be received at the desired location. Direct fitting on metal will affect the range. In this case, fit at a distance of 2–3 cm.

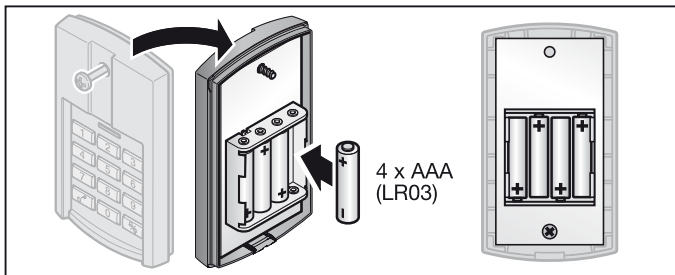




6 Initial start-up

After the batteries have been inserted, the radio code switch FCT 10 BiSecur is ready for operation.

6.1 Inserting the batteries



ATTENTION

Destruction of the radio code switch by leaking batteries

Batteries can leak and destroy the radio code switch.

- ▶ Remove the batteries from the radio code switch if it is out of use for a long period of time.

7 Operation

Each programmed personal code is assigned to a radio code. Press the button of the personal code whose radio code you want to transmit, plus the key switch.

- The radio code is transmitted and the LED is illuminated blue for 2 seconds.

NOTES:

- Before entering a valid access code, any number of numerical keys can be pressed, so that on entering the access code in the company of another person, there is no risk of that person being able to take note of your code. Only the last four to six (depending on the access code) numerical keys pressed before pressing the key switch will be used as the access code.
- If the batteries are almost empty, the LED flashes red twice
 - a. after a button has been pressed.
 - ▶ The batteries **should be** replaced soon.
 - b. and the radio code is not transmitted.
 - ▶ The batteries **must be** replaced immediately.

8 Programming the access code

NOTE:

After you have gone through the individual steps to program the access code, the LED will be illuminated in blue or red and you will hear signal tones. These displays and tones vary according to the function. Please see section 14 for an explanation.

8.1 First access code

NOTES:

- The radio code switch will go back to normal operation if you take longer than 5 seconds to enter each of the individual numbers.
 - A personal code that only consists of the number **0** cannot be programmed.
1. Open the sliding cover or press a button to illuminate the keypad.
 2. Press the key switch.
 3. Press numerical key **1** for the first memory space
 4. Press the key switch.
 5. Enter a 4 to 6 digit personal code.
 6. Press the key switch.
 7. Enter the personal code again.
 8. Press the key switch.

Programming is now finished and the radio code switch is in normal operation.

NOTE:

If you enter a different personal code in step 7, programming will be aborted and the radio code switch will go back to normal operation.

8.2 The second to tenth access codes

Further access codes are programmed as described in section 8.1. In step 3, select the numerical key for the desired memory space rather than numerical key **1**.

Memory spaces 1 to 9 are assigned to the corresponding numerical keys; memory space 10 is assigned to numerical key 0.

NOTES:

- Programming will be aborted if a memory space is selected that already has a personal code.
- Programming will be aborted if a personal code is entered that has already been assigned to a memory space.

9 Changing an access code

NOTES:

- After you have gone through the individual steps to change the access code, the LED will be illuminated in blue or red and you will hear signal tones. These displays and tones vary according to the function. Please see section 14 for an explanation.
 - The radio code switch will go back to normal operation if you take longer than 5 seconds to enter each of the individual numbers.
 - A personal code that only consists of the number **0** cannot be programmed.
1. Open the cover or press a button to illuminate the keypad.
 2. Press the key switch.
 3. Enter the personal code you would like to change.
 4. Press the key switch.
 5. Enter a new 4 to 6 digit personal code.
 6. Press the key switch.
 7. Enter the changed personal code again.
 8. Press the key switch.

The change has now been made and the radio code switch is in normal operation.

NOTE:

If you enter a different or existing personal code in step 7, the change will not be made and the radio code switch will go back to normal operation.

10 Normal operation

NOTE:

If the radio code for a personal code was copied from another hand transmitter beforehand, the key switch must be pressed a second time after entering the personal code during initial start-up.

10.1 Sending a radio code via a personal code

NOTES:

- After you have gone through the individual steps to send an access code, the LED will be illuminated in blue or red and you will hear signal tones. These displays and tones vary according to the function. Please see section 14 for an explanation.
- The radio code switch will go back to normal operation if you take longer than 5 seconds to enter each of the individual numbers.

1. Open the cover or press a button to illuminate the keypad.
2. Enter a valid personal code again.
3. Press the key switch; the radio code is sent.

10.1.1 Retransmission

If a radio code is sent after a personal code has been entered (see section 10.1), it can be sent again by pressing a numerical key or the key switch within 5 seconds after sending.

The retransmission function is cancelled if the bell / light key is pressed.

10.2 Transmitting via the bell / light key

A bell or courtyard light can be directly operated, i.e. without having to enter an access code, by pressing the bell / light key.

1. Open the cover or press a button to illuminate the keypad.
2. Press the bell / light key.

NOTE:

The radio code is transmitted by the radio code switch as long as the bell / light key is pressed, but for a maximum of 3 seconds.

10.3 Blocking after several incorrect personal codes are entered

The radio code switch is blocked for 30 seconds if a personal code is entered incorrectly ten times. The radio code switch will then change back to normal operation.

11 Teaching in and inheriting a radio code

CAUTION

Danger of injuries due to unintended door travel

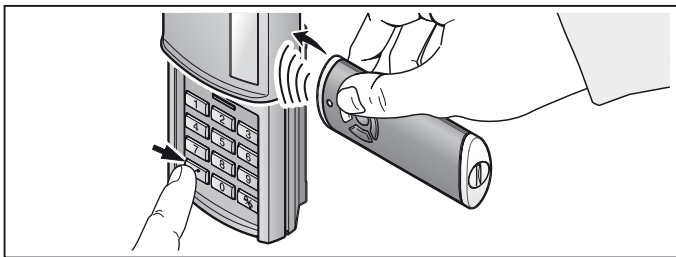
Unintended door travel may occur while teaching in the radio system.

- ▶ Make sure no persons or objects are in the door's area of travel when teaching in the radio system.

11.1 Teaching in a radio code

NOTES:

- After you have gone through the individual steps to teach in an access code, the LED will be illuminated in blue or red and you will hear signal tones. These displays and tones vary according to the function. Please see section 14 for an explanation.
- The radio code switch will go back to normal operation if you take longer than 5 seconds to enter each of the individual numbers.



1. Hold the hand transmitter to the right of the radio code switch.
2. Press and hold the hand transmitter button whose radio code is to be **inherited**.
 - The radio code is transmitted and the LED is illuminated blue for 2 seconds then goes out.
 - After 5 seconds, the LED flashes alternately red and blue, the hand transmitter transmits the device information.
 - The radio code is transmitted.
3. Open the cover or press a button to illuminate the keypad.
4. Enter the personal code for the radio code you would like to change.
5. Press and hold the key switch.
 - The LED will flash slowly in blue.
 - If the radio code is recognised, the LED flashes quickly in blue.
 - After 2 seconds, the LED goes out.
6. Release the key switch once the radio code has been recognised.

The radio code switch is in normal operation.

11.2 Inheriting / transmitting a radio code

NOTE:

The radio code switch will go back to normal operation if you take longer than 5 seconds to enter each of the individual numbers.

1. Open the cover or press a button to illuminate the keypad.
2. Enter the personal code for the radio code you would like to inherit / transmit.
3. Press and hold the key switch.
 - The radio code is transmitted and the LED is illuminated blue for 2 seconds then goes out.
 - After 5 seconds, the LED flashes alternately red and blue and brief signal tones are emitted. The radio code switch transmits the device information.
 - The radio code is transmitted.

NOTE:

You have 15 seconds to inherit/transmit the code. The process must be repeated if the radio code is not successfully inherited/transmitted within this time.

4. Release the key switch once the radio code has been recognised.

The radio code switch is in normal operation.

11.3 Inheriting the radio code from the bell / light button**NOTE:**

The radio code switch will go back to normal operation if you take longer than 5 seconds to enter each of the individual numbers.

1. Open the cover or press a button to illuminate the keypad.
2. Press and hold the bell / light key.
 - The radio code is transmitted and the LED is illuminated blue for 2 seconds and then goes out.
 - After 5 seconds, the LED flashes alternately red and blue and brief signal tones are emitted. The radio code switch transmits the device information.
 - The radio code is transmitted.

NOTE:

You have 15 seconds to inherit/transmit the code. The process must be repeated if the radio code is not successfully inherited/transmitted within this time.

3. Release the bell / light button as soon as the radio code is recognised.

The radio code switch is in normal operation.

11.4 Mixed operation / BiSecur and fixed code 868 MHz

If the BiSecur radio has been set, mixed operation is possible, i.e. existing hand transmitters with an 868 MHz fixed code (grey hand transmitters with blue buttons or the device designation HSD2-868) can be taught in from the BiSecur hand transmitter.

12 Adjustment options**NOTE:**

With the following settings, the LED is illuminated in blue or red and signal tones are emitted. These displays and tones vary according to the function. Please see section 14 for an explanation.

12.1 Activating or deactivating retransmission

Retransmission can be deactivated in order to operate the radio code switch in combination with an entrance door (see section 10.1.1).

NOTE:

The radio code switch will go back to normal operation if you take longer than 5 seconds to enter each of the individual numbers.

1. Open the cover or press a button to illuminate the keypad.
2. Simultaneously press and hold the key switch and the numerical key **0**.
3. Change mode is active and the set function is displayed by a flashing LED.
4. Release both buttons.
5. Functions can be set using numerical keys **0** and **1**.
 - Numerical key **1**: activate retransmission
 - Numerical key **0**: deactivate retransmission
6. After you have pressed the desired numerical key, the LED will display the selected function through the frequency of the flashing.
7. Press the key switch to save the setting.

12.2 Signal tone volume**NOTE:**

The radio code switch will go back to normal operation if you take longer than 5 seconds to enter each of the individual numbers.

1. Open the cover or press a button to illuminate the keypad.
2. Simultaneously press and hold the bell / light key and numerical key **0**.
3. Change mode is active as soon as the LED flashes.
4. Release both buttons.
5. The signal tone volume can be set using numerical keys **0** to **9**.
 - Numerical key **0**: no acoustic signal
 - Numerical keys **1** to **9**: quiet to loud
6. After you press the desired key, the system will emit a tone in the selected volume.
7. Press the key switch to save the setting.

12.3 Recoding a memory space**NOTE:**

The radio code switch will go back to normal operation if you take longer than 5 seconds to enter each of the individual numbers.

1. Open the cover or press a button to illuminate the keypad.
2. Enter a valid personal code again.
3. Press the key switch and immediately thereafter press and hold the bell/light key.
 - After 5 seconds, the LED will flash five times in blue and a long signal tone is emitted.

NOTE:

If one of the two buttons is released before these 5 seconds are over, a new radio code will not be generated.

4. Release both buttons.

Recoding is now complete and the radio code switch is in normal operation.

13 Reset

NOTE:

After you have gone through the individual steps for a device reset, the LED will be illuminated in blue or red and you will hear signal tones. These displays and tones vary according to the function. Please see section 14 for an explanation.

All radio codes are newly assigned by the following steps and the radio code switch is reset to the delivery condition.

1. Disassemble the top part of the housing for the radio code switch and remove a battery for 10 seconds.
2. Press and hold numerical key **0**.
3. Insert the battery.
 - The LED slowly flashes in blue for 4 seconds.
 - The LED flashes rapidly in blue for 2 seconds.
 - The LED is illuminated blue for a long time.
4. Release numerical key **0**.
All radio codes are newly assigned.
5. Assemble the housing for the radio code switch.

NOTE:

If numerical key **0** is released prematurely, no new radio codes are assigned.

13.1 Setting the fixed code 868 MHz.

If immediately following the device reset, numerical key **0** remains pressed, the fixed code 868 MHz will be activated.

- The LED slowly flashes in red for 4 seconds.
- The LED flashes rapidly in red for 2 seconds.
- The LED is illuminated red for a long time.

All radio codes are newly assigned.

NOTE:

If numerical key **0** is released prematurely, the BiSecur radio will remain active.

Further information about operating the radio code switch with the fixed code 868 MHz can be found on the Internet at **www.hoermann.com**

14 LED display / signal tones**Blue (BU)**

Condition	Signal tone	Function
Illuminated briefly	Brief signal tone	Acknowledgement of a pressed button
Illuminated long	Long signal tone	Acknowledgement of a correct personal code
		Save an entry
		Switch to normal operation
		End of the blocking time after several incorrect personal codes have been entered
Flashes slowly for 4 seconds Flashes quickly for 2 seconds Illuminated long	Brief signal tones, Brief signal tones, Long signal tone	A valid radio code was discovered during the learning
		Device reset is being implemented or completed
Flashes quickly	Brief signal tones	A radio code is being transmitted
Flashes 5x		Change mode is active
Flashes slowly		Setting to send again: active
Flashes quickly		Setting to send again: inactive

Red (RD)

Condition	Signal tone	Function
Flashes 2x		The batteries are almost empty
Flashes 3x	Brief signal tones	The entered personal code is incorrect
		When programming an access code: <ul style="list-style-type: none"> • Memory space is occupied • This personal code already exists
		No radio code was generated when the memory space was recoded

Blue (BU) and Red (RD)

Condition	Signal tone	Function
Flashing alternately	Brief signal tones	The radio code switch is in inherit / transmit mode

15 Cleaning**ATTENTION****Damaging the radio code switch by faulty cleaning**

Cleaning the radio code switch with unsuitable cleaning agents can damage the housing, as well as the buttons.

- ▶ Clean the radio code switch with a clean, soft, damp cloth.

16 Disposal

Electrical and electronic devices as well as batteries may not be disposed of in household rubbish. They must be disposed of at the appropriate recycling facilities.

**17 Technical data**

Type	Radio code switch FCT 10 BiSecur
Frequency	868 MHz
Power supply	4x 1.5 V battery, type: AAA (LR03)
Perm. ambient temperature	-20 °C to +60 °C
Protection category	IP 54

18 EC Declaration of Conformity

(as defined in the R&TTE guideline 1999/5/EC)

Herewith the

Company Hörmann KG Verkaufsgesellschaft
Upheider Weg 94-98
D-33803 Steinhagen

declares that this

device Radio code switch for operators and their accessories

Article designation	Type designation
FCT 10 BiSecur	FCT10-868-BS

based on its design and style in the version circulated by it is in accordance with the basic requirements and other relevant requirements of the directive 1999/5/EC.

Any modification made to the devices without our express permission and approval shall render this declaration null and void.

Applied and consulted standards and specifications:

EN 60950-1
EN 300 220-1
EN 300 220-2
EN 301 489-1
EN 301 489-3

This device may be operated in all EU countries, Norway, Switzerland and other countries.

Steinhagen, 21.02.2012



Axel Becker
Managing Director