

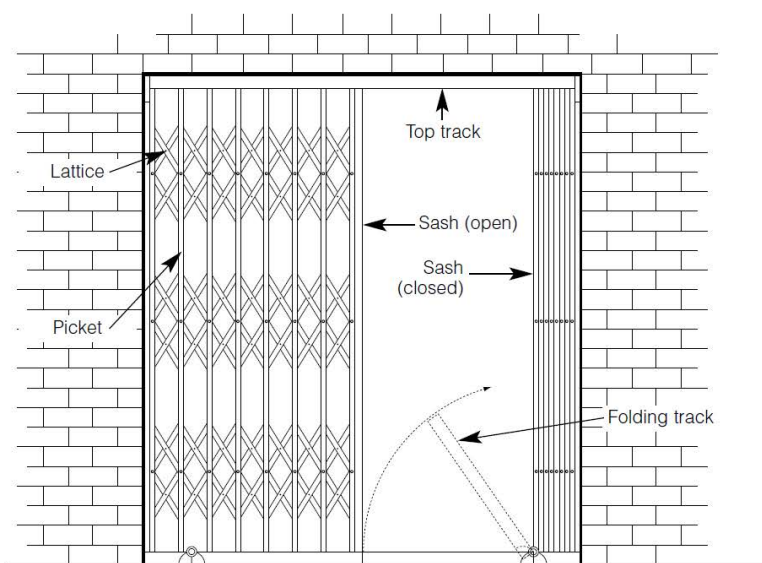
Samson SeceuroGuard Retractable Security Grilles Specifying Guide



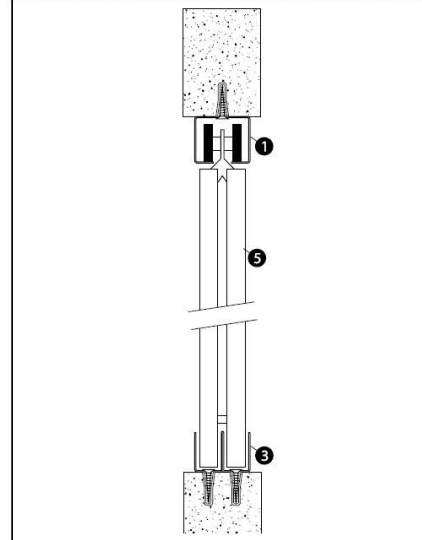
**EMAIL: ENQUIRIES@SAMSONDOORS.CO.UK
TELEPHONE: (01933) 274276
MON - FRI - 8.30AM - 5.30PM**

Seceuroguard Retractable Security Grille Fixing details

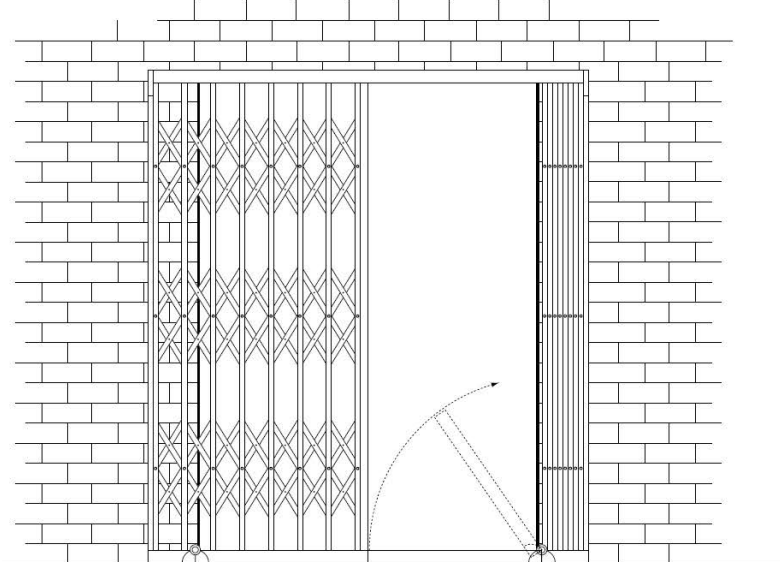
REVEAL FIX FRONT ELEVATION



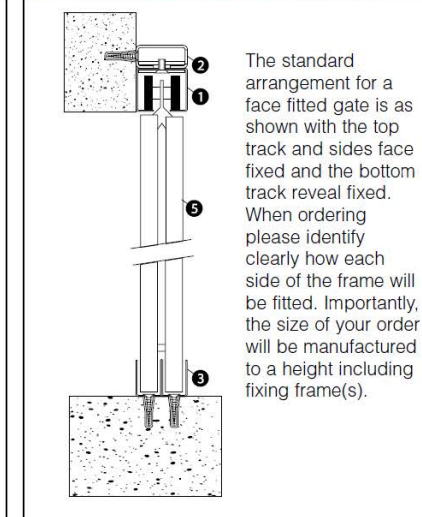
REVEAL FIXED SIDE ELEVATION



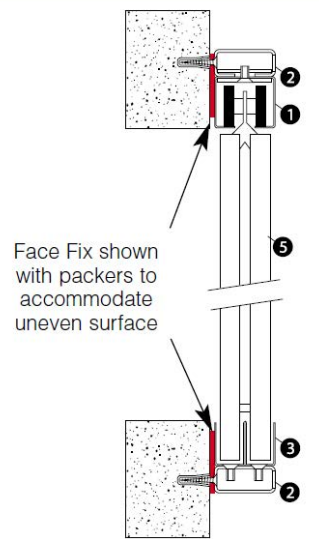
FACE FIX FRONT ELEVATION



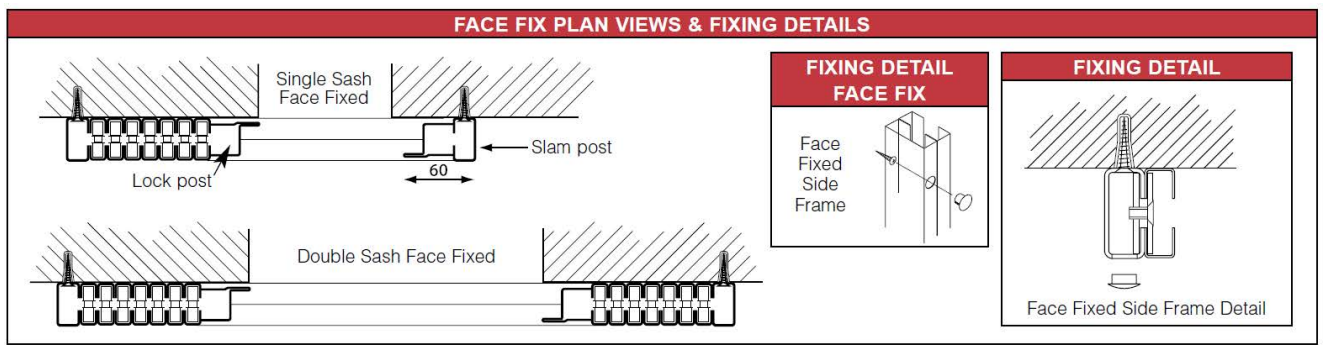
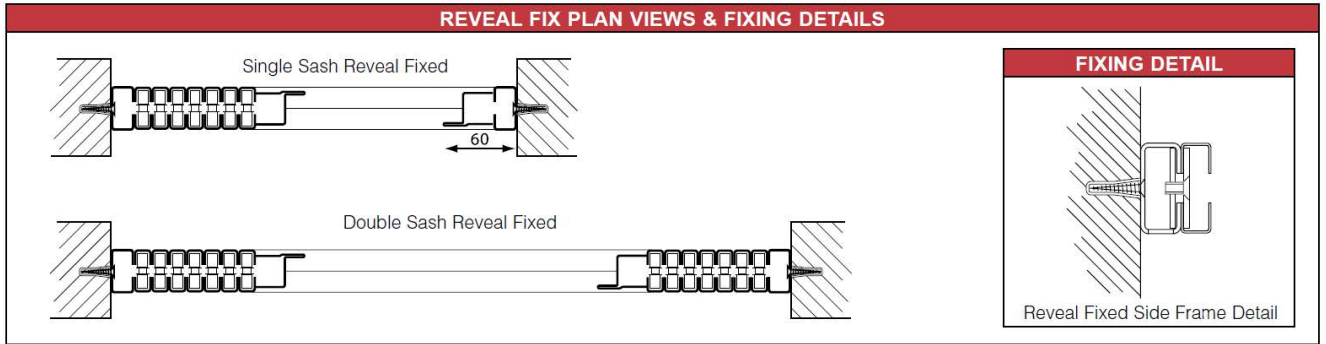
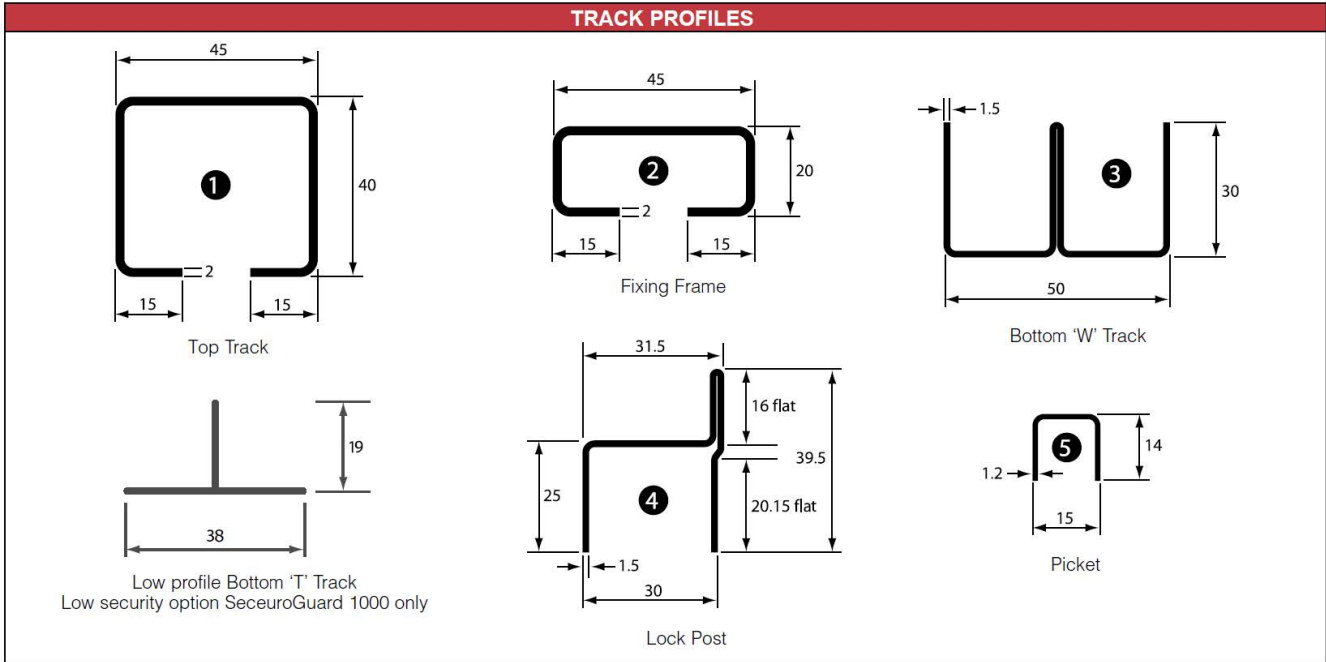
FACE FIXED SIDE ELEVATION



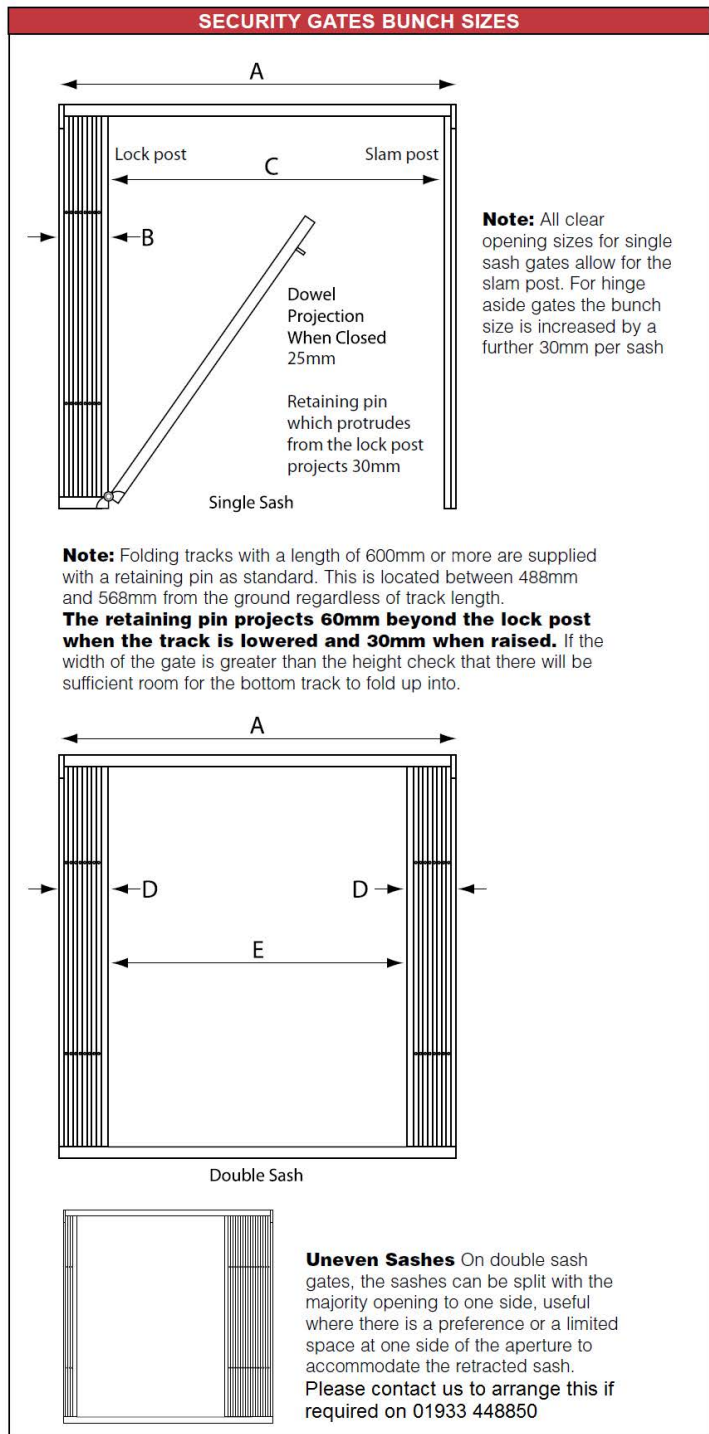
FACE FIXED SIDE ELEVATION WITH PACKER



This completely face fitted type of installation requires the addition of the top and bottom track plus 2 no. 20mm reinforcement sections (2) to the dimensions for ordering height. Top track + reinforcement = 60mm W track + reinforcement = 50mm
For the width add the slam post and sash size to get a clear opening on the aperture.



BUNCH SIZES (MM)				
OVERALL GATE WIDTH 'A'	SINGLE SASH		DOUBLE SASH	
	SINGLE SASH BUNCH 'B'	CLEAR OPENING WIDTH 'C'	DOUBLE SASH PER BUNCH 'D'	CLEAR OPENING WIDTH 'E'
mm	mm	mm	mm	mm
500	135	315		
600	135	415		
700	150	500		
800	165	585		
900	180	670		
1000	180	770	135	730
1100	195	855	135	830
1200	210	940	150	900
1300	225	1025	150	1000
1400	225	1125	150	1100
1500	240	1210	165	1170
1600	255	1295	165	1270
1700	270	1380	180	1340
1800	285	1465	180	1440
1900	285	1565	180	1540
2000	300	1650	195	1610
2100	315	1735	195	1710
2200	330	1820	195	1810
2300	330	1920	210	1880
2400	345	2005	210	1980
2500	360	2090	225	2050
2600	375	2175	225	2150
2700	375	2275	225	2250
2800	390	2360	240	2320
2900	405	2445	240	2420
3000	420	2530	255	2490
3100	435	2615	255	2590
3200	435	2715	255	2690
3300	450	2800	270	2760
3400	465	2885	270	2860
3500	480	2970	270	2960
3600	480	3070	285	3030
3700	495	3155	285	3130
3800	510	3240	300	3200
3900	525	3325	300	3300
4000	525	3425	300	3400
4100	540	3510	315	3470
4200	555	3595	315	3570
4300	570	3680	330	3640
4400	585	3765	330	3740
4500	585	3865	330	3840
4600	600	3950	345	3910
4700	615	4035	345	4010
4800	630	4120	345	4110
4900	630	4220	360	4180
5000	645	4305	360	4280
5100	660	4390	375	4350
5200	675	4475	375	4450
5300	675	4575	375	4550
5400	690	4660	390	4620
5500	705	4745	390	4720
5600	720	4830	405	4790
5700	735	4915	405	4890
5800	735	5015	405	4990
5900	750	5100	420	5060
6000	765	5185	420	5160



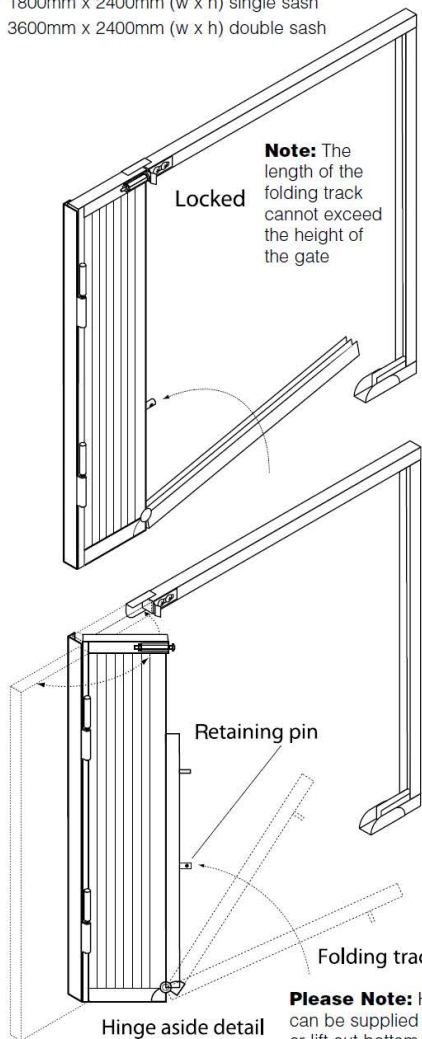
Please note: The clear opening widths detailed above apply to retractable gates with fixed tracks. If the gate requires folding bottom tracks or the hinge aside option (with or without folding bottom tracks) you will need to add 60mm per bunch to the bunch sizes above.

***Please ask for details on widths greater than 6m**

HINGE ASIDE OPTION DETAIL SeceuroGuard 1000 Only

Maximum size for hinge aside
 1800mm x 2400mm (w x h) single sash
 3600mm x 2400mm (w x h) double sash

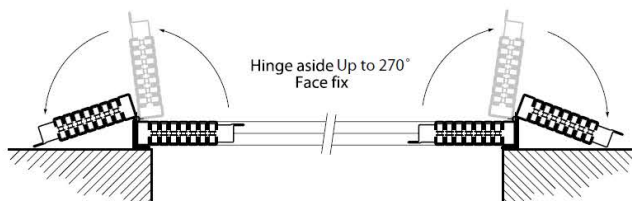
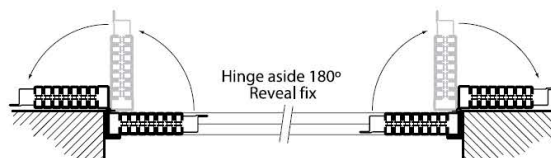
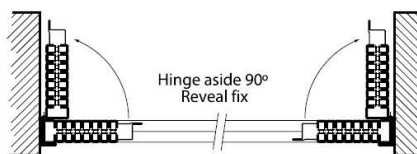
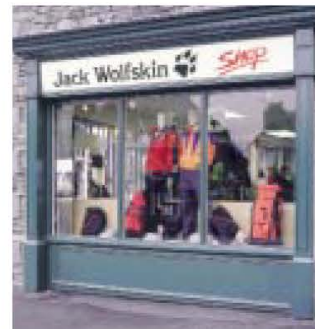
Please Note: SeceuroGuard 1001 is **NOT** available with the hinge aside option, bottom running option, split top or bottom track or split sashes



Note: The length of the folding track cannot exceed the height of the gate

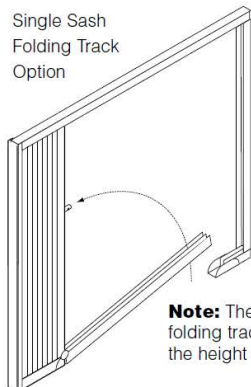
Note: Folding tracks with a length of 600mm or more are supplied with a retaining pin as standard - see below for details

Please Note: Hinge aside gates can be supplied with either a folding or lift out bottom track but cannot be supplied with a fixed bottom track.



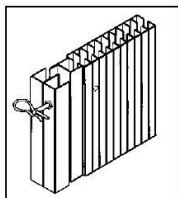
FOLDING TRACK AND REMOVABLE TRACK OPTION DETAILS

Single Sash Folding Track Option

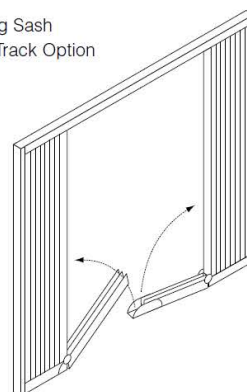


Note: The length of the folding track cannot exceed the height of the gate

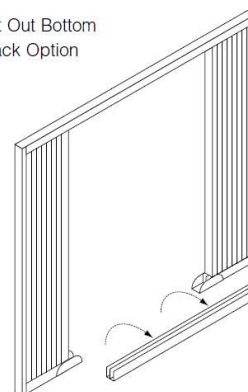
Note: Folding tracks with a length of 600mm or more are supplied with a retaining pin as standard. This is located between 488mm and 568mm from the ground regardless of track length. **The retaining pin projects 60mm beyond the lock post.**



Bi-parting Sash Folding Track Option

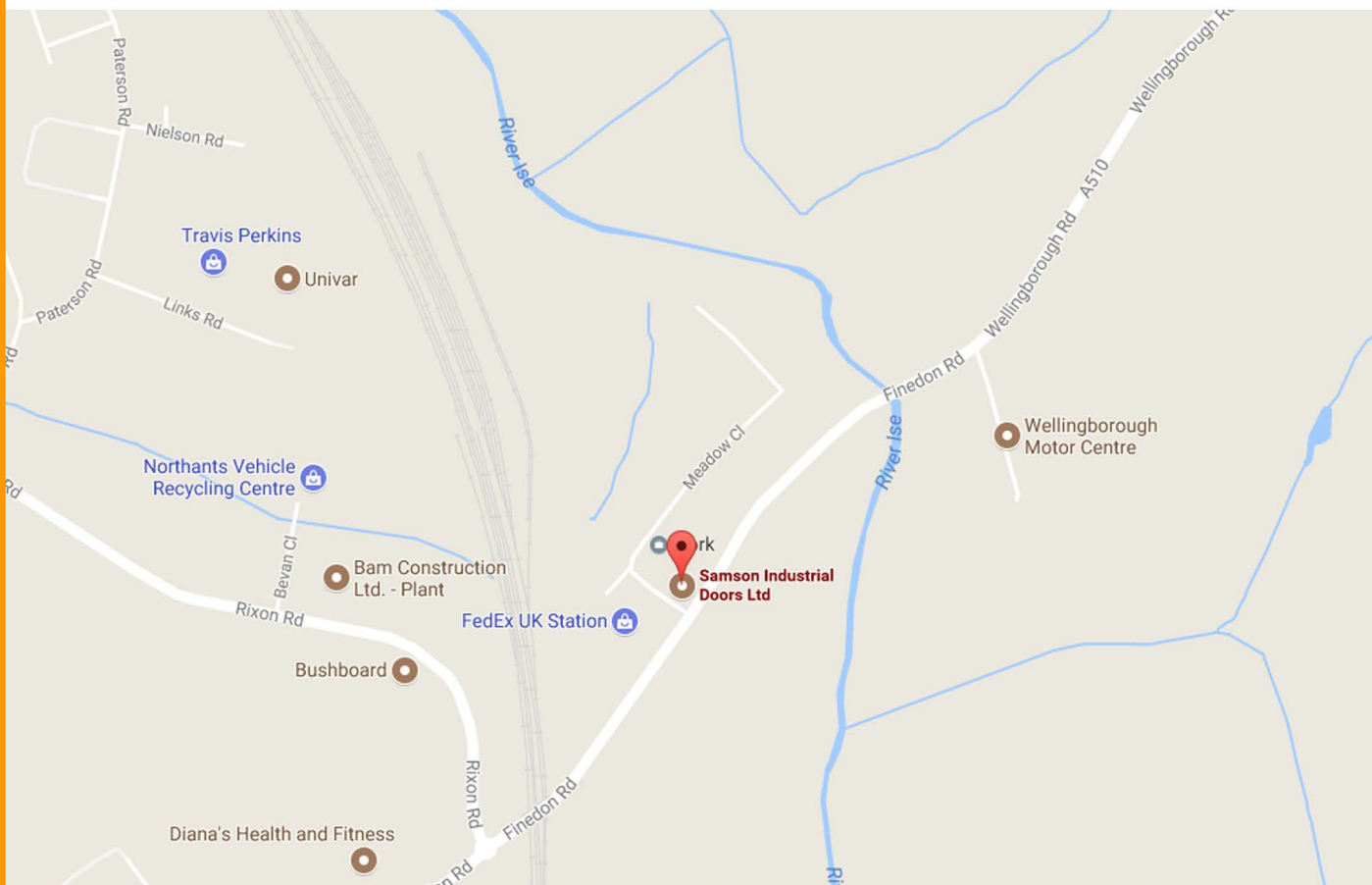


Lift Out Bottom Track Option



Any queries on the sizes and technical specification, please call on 01933 448850 or email directly to enquiries@samsondoors.co.uk

Samson



**6-8 MEADOW CLOSE
ISE VALLEY INDUSTRIAL ESTATE
FINEDON ROAD
WELLINGBOROUGH
NN8 4BH**

**EMAIL: ENQUIRIES@SAMSONDOORS.CO.UK
TELEPHONE: (01933) 274276
MON - FRI - 8.30AM - 5.30PM**