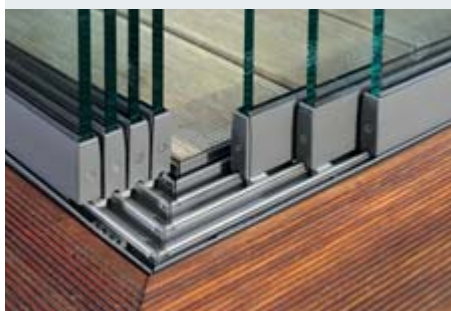




Premium quality
Made in Germany



Easy-glide all glass sliding door

Single stack system | Split stack system

www.weinor.com

Relax al Fresco |

weinor



Contents

Product highlights	4
Versions	8
Frame colours	11
Possible ways to open the unit	12
Cross-sections and dimensions	13
All-glass elements in summary	18

Easy to operate – the super-convenient,
user-friendly sliding door system



It doesn't get any easier than this: thanks to its premium-quality fittings, weinor's easy-glide all glass sliding door is a breeze to operate and also locks if required. The easy-glide all glass sliding door feels equally at home as a wind and weather protection feature for patios, balconies and pavilions, or even as a room divider. This all-glass system can be retrofitted to numerous types of roof and offers maximum transparency as there are no vertical frames. The result: light-flooded rooms and a smooth transition from the garden to the house.

weinor easy-glide all glass sliding door highlights



47 frame colours
and 9 trend colours



Easy to open



Actuator function



Retrofittable – for
virtually every patio roof

Maximum transparency
and premium
weather protection

Other technical highlights:

- premium fittings
- beautifully-shaped handle
- sealing profiles
- lockcase and hung bolt p. 7



Product benefits in detail

Simplistic operation and use: the easy-glide all glass sliding door



Easy to open – convenient and user-friendly

The easy-glide all glass sliding door is outstandingly easy to operate.

- very user-friendly all-glass elements
- sliding the panels is a breeze
- exceptionally smooth operation
- foot-operated lock on the inside – no need to bend over



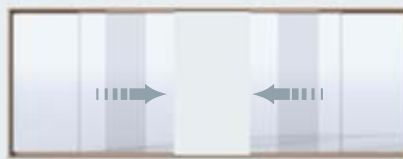
Actuator function – all the panels can glide at the same time

The intelligent actuator function makes for very fast operation of the all-glass elements.

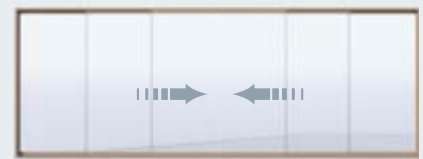
- slide multiple panels in one go
- close entire fronts with a flick of the wrist



Large open space when elements are opened



Actuator feature enables the entire front to be closed with a flick of the wrist



Locks from the inside or outside when closed (optional)



Retrofittable – for virtually every patio roof

Being a vertical structure, weinor's easy-glide all glass sliding door fits under virtually every patio roof as well as numerous roof structures.

- weinor's patio roof can be extended to create a Glasoase®
- no additional costs for structural safety adjustments
- matching profiles from weinor for easy retrofitting
- trouble-free cleaning due to easy access from the outside



Maximum transparency and premium weather protection

Fully unrestricted panoramic view:

- all-glass design with top and bottom guide profiles
- no vertical frames between the panels
- significant noise reduction
- single-pane safety glass in 6, 8 und 10 mm possible
- structural safety calculations performed by certified engineering firm





Premium-quality fittings – easy-glide and durable

High-quality stainless steel fittings for easy gliding.

- locking device prevents damage caused by incorrect operation
- highly durable; sturdy, rust-free
- bottom rail made on V4A stainless steel
- stainless steel, ball-bearing guide rollers for long service life



Attractively shaped operating handle – pleasant to the touch and easy to operate

The easy-glide all glass sliding doors are a breeze to operate with the high-quality stainless steel operating handles.

- aesthetic-looking, V2A stainless steel operating handles
- also available in exceptionally corrosion-resistant V4A stainless steel (especially suitable for e.g. coastal locations)



Seal profiles – well-sheltered against the wind and rain (optional)

Strong brush profiles seal off the gap between the glass panels and the side and upper guide profiles.

- these are combined with seal profiles under the glass leaves to make the system very wind-tight and resistant to driving rain
- transparent gap seals between the glass panels for added weather protection



Lockcase with hung bolt – added safety through lock feature (optional)

Guard against unwelcome guests with a high-quality lockcase and hung bolt powder coated in the same colour as the frame.

- interior mechanism made of stainless steel A4
- low tolerances for smooth closing of the locking mechanism
- lockable from the inside
- double-sided locking option also available

Easy-glide all glass sliding door versions



- standard
- optional
- unavailable

Easy-glide all glass sliding door versions

	Single stack system	Split stack system
Technology		
Max. width of system	6,600 mm	10,000 mm
Max. height of system	2,600 mm	2,600 mm
Number of leaves	2 to 5	4 to 10
Type of opening	parallel-sliding	
Standard lock	interior	
Glass type	single-pane safety glass in 6 mm, 8 mm, 10 mm	
Height compensation: standard	0 mm / – 25 mm	
V2A stainless steel operating handles	●	●
Guide rail type	2 to 5 tracks, installation depth 50 mm to 110 mm, recessed or fitted	
Design		
47 standard colours	●	●
Other RAL colours	○	○
9 trend colours	●	●
Other textured colours	○	○
Accessories		
Brush profiles	○	○
Wall attachment profile	○	○
Additional standard lock on inactive leaf	○	○
Lockcase and hung bolt (lockable from the inside)	○	○
Lockcase and hung bolt (locks from either side)	○	○
Heat-soak test	○	○
V4A stainless steel operating handles	○	○







Wide range of frame colours – abundance of choices

weinor coats all of its products in its own workshop. This ensures that they have the best-possible colour tonality and identical gloss levels.

- 47 standard RAL frame colours, silk gloss (gloss level $70 \pm 5\%$ when measured at a 60° angle)
- 9 scratchproof, resistant trend colours with a textured look
- over 150 special RAL colours

47 standard frame colours

RAL 1002 Sandy yellow	RAL 1003 Signal yellow	RAL 1014 Ivory	RAL 1015 Light ivory	RAL 1023 Traffic yellow	RAL 1034 Pastel yellow	RAL 2000 Yellow orange	RAL 2002 Vermilion	RAL 2011 Deep orange
RAL 3002 Carmine red	RAL 3004 Magenta red	RAL 3007 Black red	RAL 4005 Blue lilac	RAL 4006 Traffic purple	RAL 5005 Signal blue	RAL 5009 Azure blue	RAL 5014 Pigeon blue	RAL 5021 Water blue
RAL 5022 Night blue	RAL 5024 Pastel blue	RAL 6005 Moss green	RAL 6009 Fir green	RAL 6011 Reseda green	RAL 6012 Black green	RAL 7015 Slate grey	RAL 7016 Anthracite grey	RAL 7021 Black grey
RAL 7030 Stone grey	RAL 7032 Pebble grey	RAL 7035 Light grey	RAL 7039 Quartz grey	RAL 7040 Window grey	weinor 7319 weinor grey	RAL 8001 Ochre brown	RAL 8003 Clay brown	RAL 8014 Sepia brown
RAL 8016 Mahogany brown	RAL 8017 Chocolate brown	RAL 8019 Grey brown	RAL 8022 Black brown	weinor 8077 weinor dark brown	RAL 9001 Cream	RAL 9005 Jet black	RAL 9006 White aluminium	RAL 9007 Grey aluminium
RAL 9010 Pure white	RAL 9016 Traffic white							

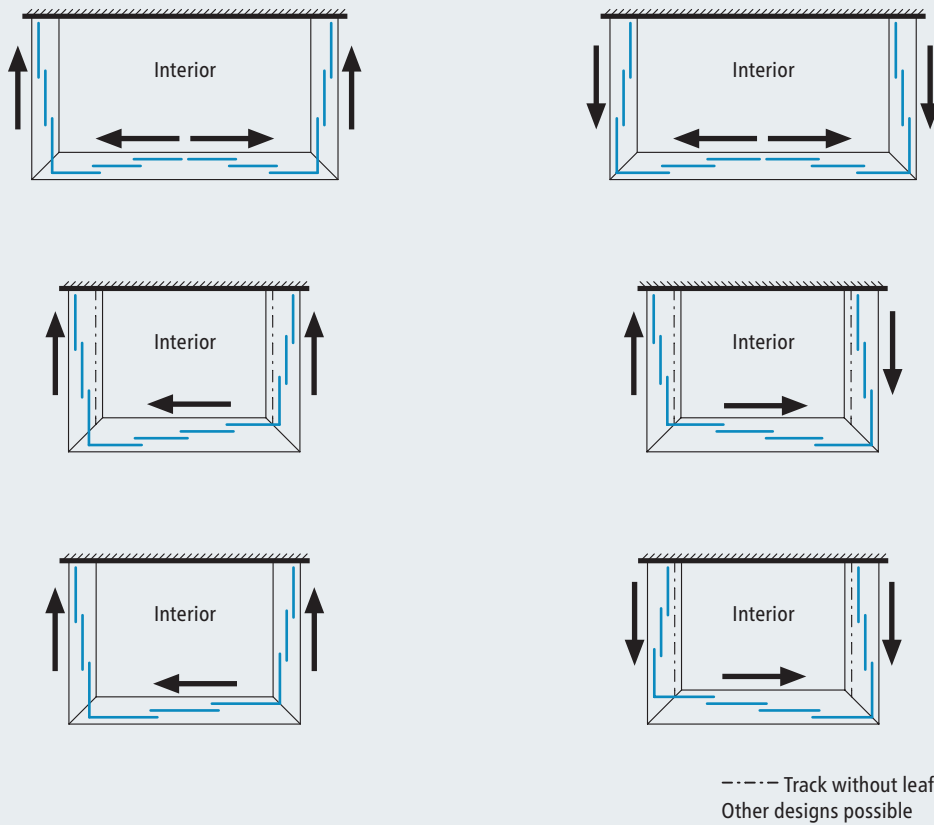
9 trend colours

WT 29/10797 Approx. RAL 9010	WT 29/50704 Approx. RAL 6009 metallic	WT 29/60740 Chestnut 04 metallic	WT 29/70786 Sparkling iron effect	WT 29/71289 Approx. RAL 7016	WT 29/80077 Approx. DB 703 metallic	WT 29/80081 Iron glimmer effect P 7	WT 29/90146 Approx. RAL 9006 metallic	WT 29/90147 Approx. RAL 9007 metallic

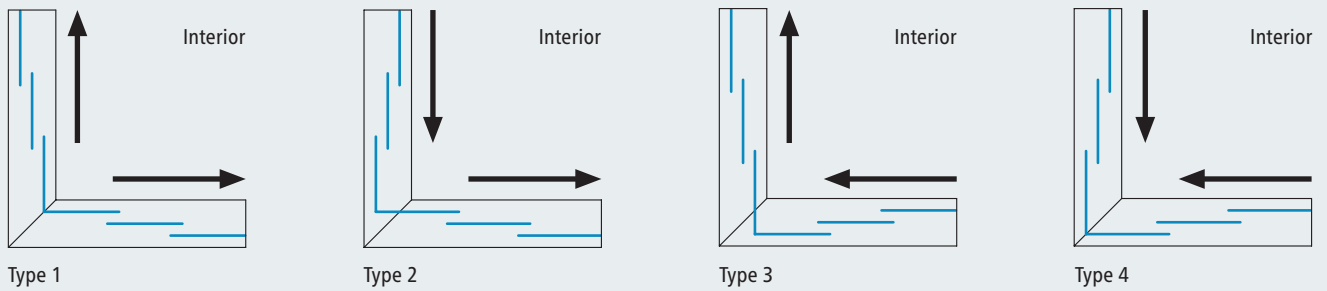
weinor is an eco-friendly company. To ensure compliance with high environmental standards, manufacturing processes and materials undergo regular testing by experts.

As a result of the ban on the use of heavy metals in powder coatings, paint manufacturers can no longer guarantee colour stability despite making every effort to do so. It therefore cannot be excluded that colours in general, and Fire Red (RAL 3000) in particular, may fade with time. For technical reasons, the colours may appear significantly different when printed.

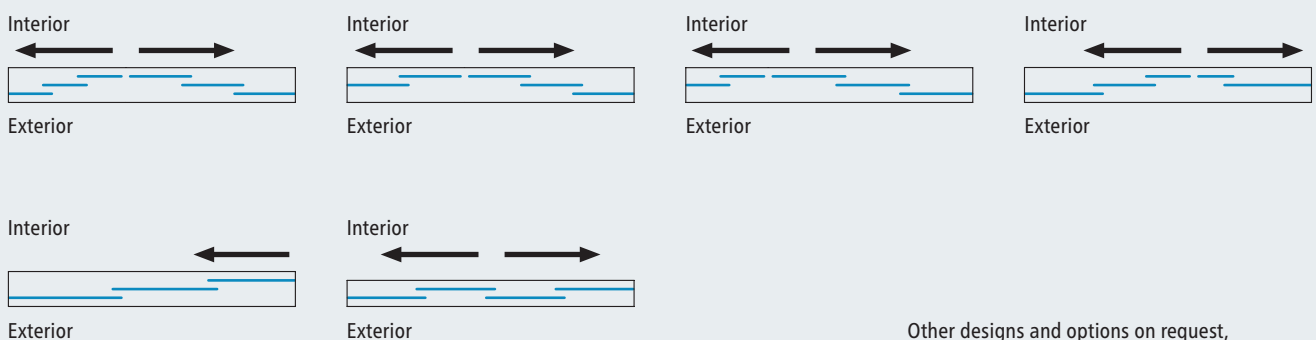
Examples of designs for standard Glasoasen®



Possible leaf arrangements in corners

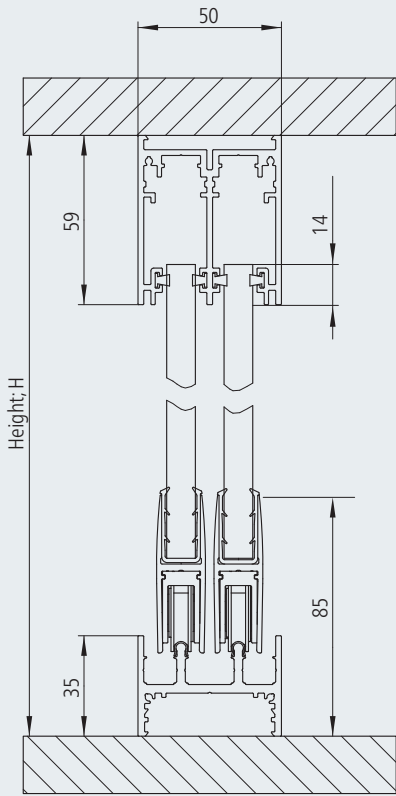


Examples of custom designs

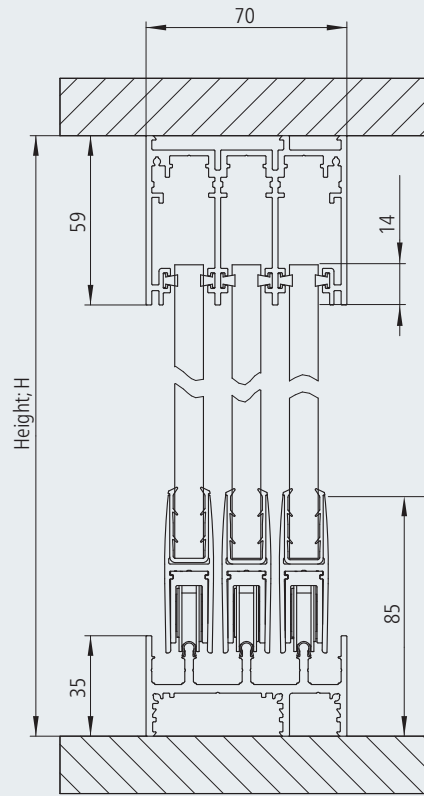


Other designs and options on request,
an extra charge will apply in most cases

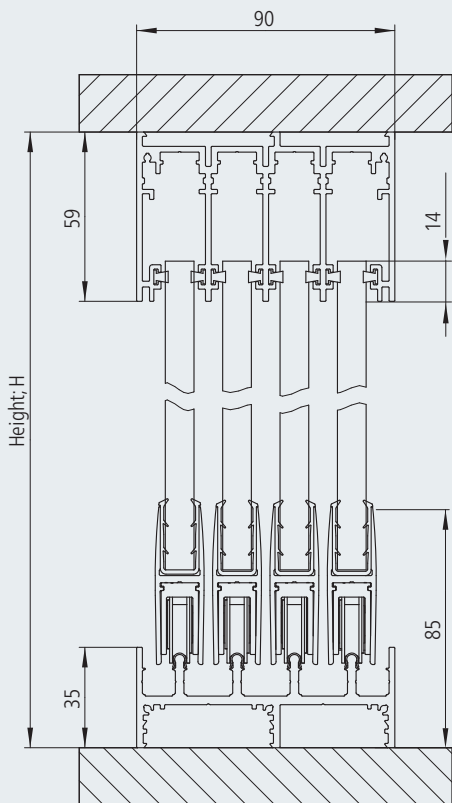
Vertical cross-sections



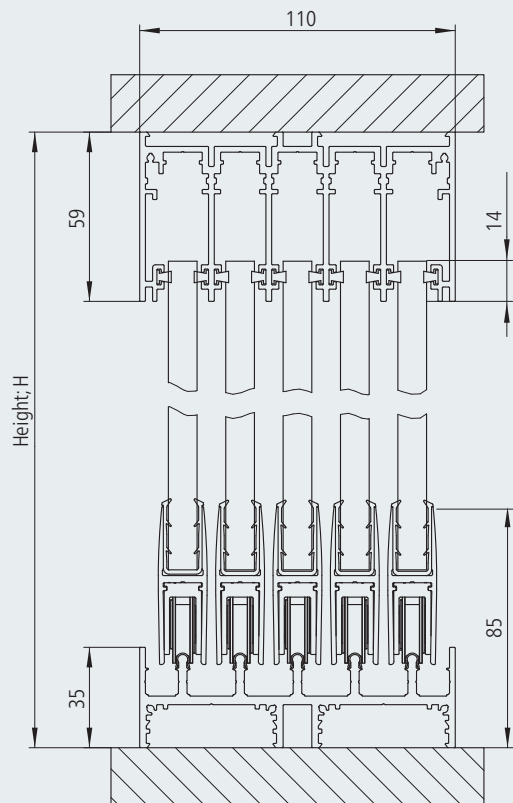
2-track



3-track

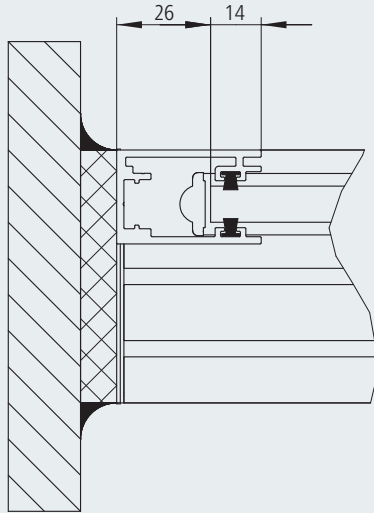


4-track

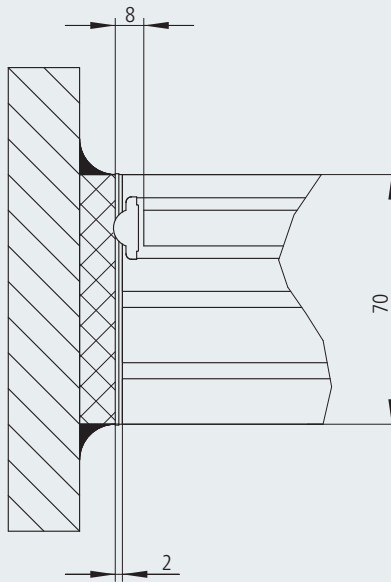


5-track

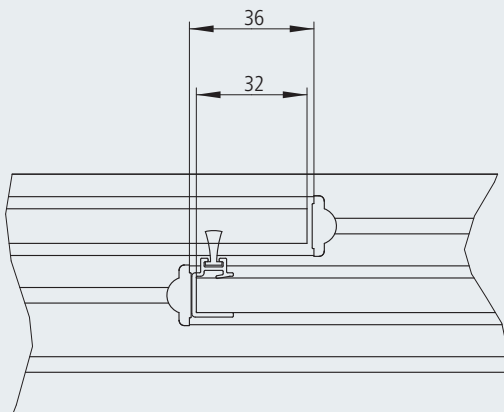
Horizontal cross-sections



With wall connection profile



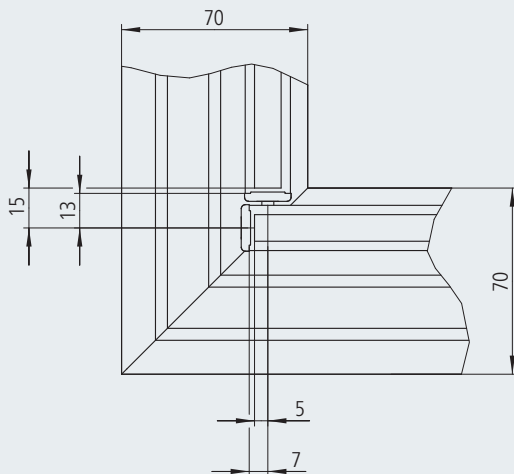
No wall connection profile



Panel overlap
with brush profile as optional extra

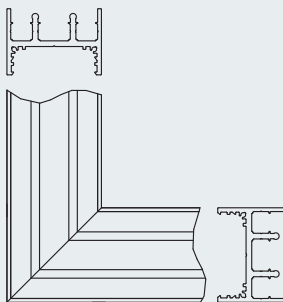
Horizontal cross-section of 90° corner unit

Example: 3-track

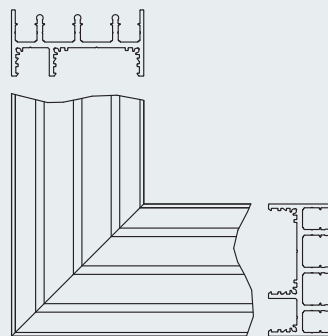


Cross-section of a 90° corner unit,

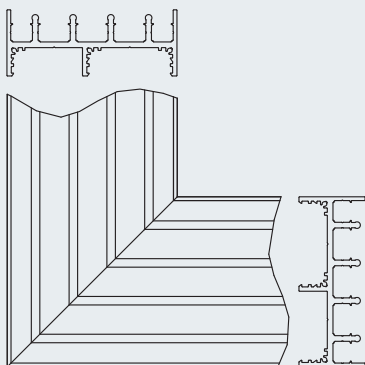
always has the same number of tracks, even when the number of leaves used is different



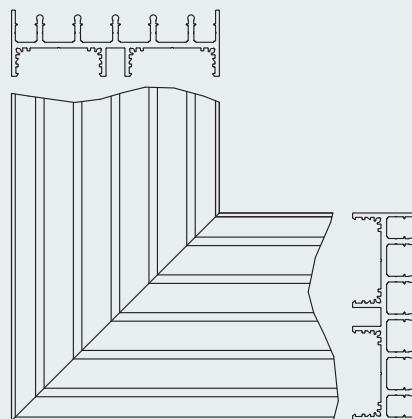
2-track



3-track

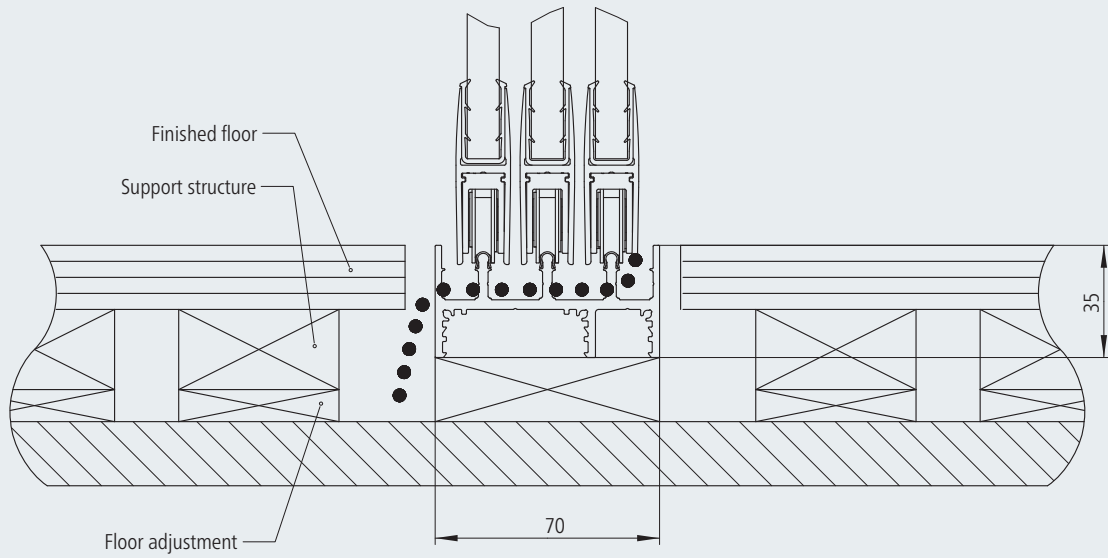


4-track

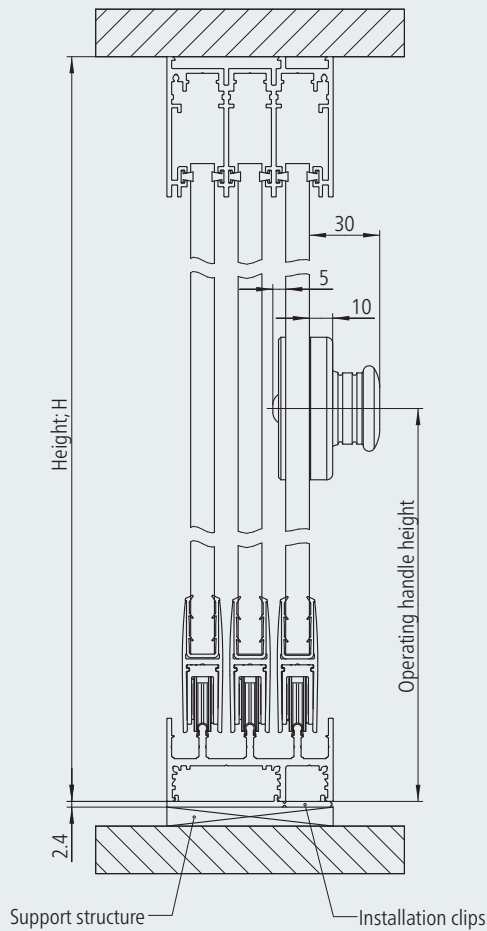


5-track

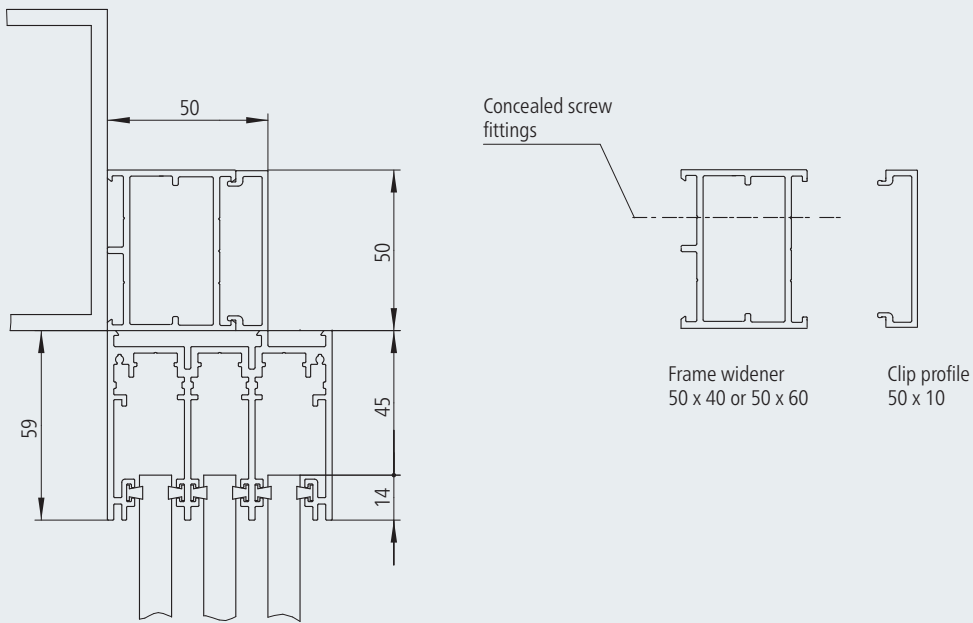
Possible floor connection



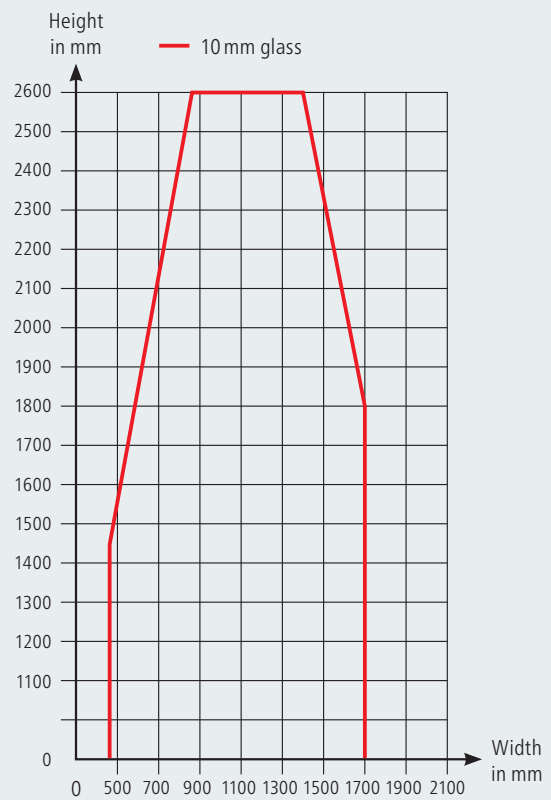
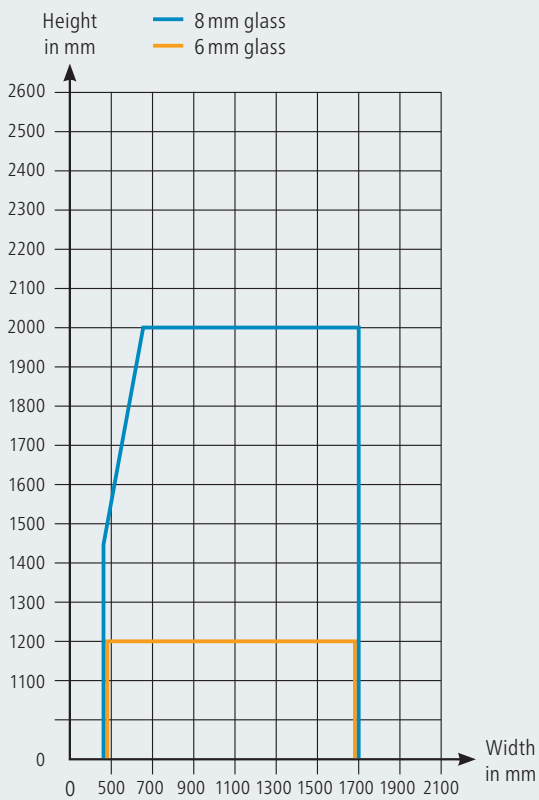
Vertical cross-section of ceiling and floor connection, operating handle



Provision for glazing element; possible installation behind a structure



Leaf size diagrams



Valid for:

- wind pressure, wind zone 1, inland mixed profile
- w17-c in standard area
- installation height up to 10 m

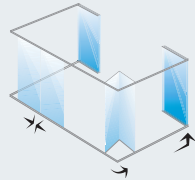
- minimum leaf width 450 mm
- maximum leaf weight 80 kg
- for overall size of units, see weinor Terrazza price list



weinor all-glass doors

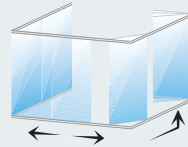
weinor all-glass doors offers reliable protection against winds as well as rain falling at an angle, while also providing maximum transparency. Depending on the preference and

requirements, the panels either fold away or slide to one side. Every system is suitable for patio roofs, loggias or balconies in principle.



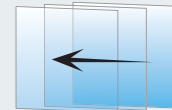
Multi-utility folding glass door

w49-c



Versatile, all glass sliding revolving door

w26-c



Easy-glide all glass sliding door

w17-c

	w49-c	w26-c	w17-c
Recommendation	Patio roofs	Balconies	Patio roofs
Features	<ul style="list-style-type: none"> • opens at any section and all the way round • slides flat or to an open position • slides around corners (without swinging out) • set of panels concertina to the left or right • only one track required • standing structure 	<ul style="list-style-type: none"> • opens all the way round • slides around corners (swings out) • set of panels fold away to the inside or outside • only one track required • hanging structure • weinor EasyClean feature – individual leafs easily accessible for cleaning on the inside or outside 	<ul style="list-style-type: none"> • open sideways • actuator for easy closing • requires several guide rails • standing structure
Max. width	11,200 mm	8,000 mm*	6,600 mm
Max. height	2,400 mm	2,400 mm*	2,600 mm

* Larger dimensions available on request

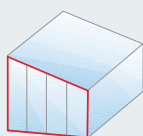
Further information on our flexible all-glass elements can be found in the all-glass vertical element product brochures.



Fixed-glazed side elements

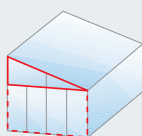
To go with the weinor Glasoase®, weinor offers a variety of fixed glazing elements – ranging from an entire side to a triangular-shaped element below the side patio roof support.

The table below indicates which fixed glazing element can be combined with which flexible element.



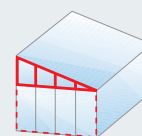
Side element SUPER LITE

- maximum transparency
- adds fixed glazing to the Glasoase® design
- very attractively priced
- all-glass fixed glazing under the side Terrazza roof support



Side element LITE

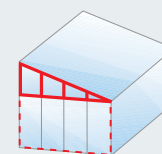
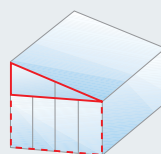
- highly transparent
- attractively priced
- fixed glazing below the Terrazza side patio roof support (trapezium), can be combined with flexible standing all-glass elements



Side element CLASSIC

- especially robust and stable
- load-bearing
- very good price-to-performance ratio
- fixed glazing below the Terrazza side patio roof support (trapezium with vertical staves), can be combined with flexible standing or hanging all-glass elements

Ways to combine all-glass elements



LITE side element

CLASSIC side element

		LITE side element	CLASSIC side element
	Multi-utility folding glass door w49-c	<input type="radio"/>	<input type="radio"/>
	Versatile, all glass sliding revolving door w26-c	—	<input type="radio"/>
	Easy-glide all glass sliding door w17-c	<input type="radio"/>	<input type="radio"/>

option — unavailable

Awnings



Awning



Awning with Valance Plus and Tempura



Awning with Valance Plus and Paravento



Premium quality
Made in Germany

Textile awning with posts



PergoTex II and Tempura



Pergola awning Plaza Home and Paravento



Pergola awning Plaza Pro with Paravento and VertiTex

Customised, systemised solutions

Patio roof and Glasoase®



Glasoase® with conservatory awning and all-glass elements



Patio roof with SUPER LITE fixed glazing



Terrazza patio roof with Sottezza II sun protection

Patent no			
EP1310609	1541776	EP0916781	0994221
1403442	2072709	EP0959195	1206609
1382770	0745742	EP0942114	1099808

We reserve the right to make technical changes. For technical reasons, the colours may appear slightly different when printed.

Last revised: 04/2016

The current issue can be found at www.weinor.de/fachpartner/service/downloadcenter



116263