



NEW
Hörmann BiSecur:
The modern radio system for garage door operators



Sectional Garage Doors

More convenience and security every day







Hörmann brand quality	4
Advantages of sectional doors	6
Good reasons to try Hörmann	8
Choose your dream door	14
S-ribbed	16
M-ribbed	20
L-ribbed	24
Panelled	28
Aluminium sectional door ALR	32
Design L-ribbed	34
Design timber doors	36
Design overview	38
Door handles, glazings	44
Surface finishes, colours	46
Decograin surface finishes, types of solid timber	48
Wicket doors	50
Side doors	52
Modernisation solutions	54
Garage door operators	60
Accessories	64
Safety features	66
Performance characteristics	68
Dimensions and fitting data	70
Hörmann product range	78

For more information on sectional garage doors and other high-quality Hörmann products, go to:
www.hormann.co.uk

Some of the doors shown are equipped with optional extras and do not always correspond to our standard models.

The surface finishes and colours shown are subject to the limitations of the printing process and cannot be regarded as binding.

All rights reserved. No part may be reproduced without our prior permission. Subject to changes.

Left figure: M-ribbed with Decograin Golden Oak surface finish, Hörmann aluminium entrance door TopPrestige style 565 in the preferred colour Anthracite grey, RAL 7016 with DesignPlus handle, with optional side elements

Hörmann brand quality

Reliable and oriented towards the future



“A good reputation must be earned.” (August Hörmann)

In line with the founder’s philosophy, the Hörmann brand today is a true promise of quality. The family-owned company has over 75 years of experience in door and operator construction and with sales of over 20 million doors, is no. 1 in Europe. This makes a Hörmann sectional door a reassuring purchase.



Made in Germany

All doors and operator components are developed and manufactured by Hörmann. Our highly qualified employees work intensively on new products, continual further developments and improvement to detail. Patents and unique products on the market are the result of this. Endurance tests under real conditions ensure mature series products with Hörmann quality.



An eye on the future

Hörmann is setting a good example. This is why, from 2013 onwards, the company will obtain up to 40% of its required energy from green sources and will continue to increase this percentage. At the same time, many tonnes of CO₂ are saved each year thanks to the introduction of an intelligent and certified energy management system. And last but not least, Hörmann also offers products for sustainable construction.



Certified brand quality

At Hörmann, doors and operators are perfectly matched to each other and approved and certified by independent established institutes for your safety. They are manufactured in Germany according to the DIN EN 9001 quality management system and fulfil all the requirements of European standard 13241-1.



Long-term performance

Thanks to excellent technical solutions and uncompromising quality assurance, you receive a 10-year warranty on all sectional doors and 5 years on all Hörmann operators.

* The complete warranty conditions can be found at: www.hormann.co.uk

Benefit from numerous advantages

Sectional doors always fit and save space



Sectional doors open vertically upwards and are suspended under the ceiling to save space. This construction principle means you can make full use of the space inside and in front of the garage. Additionally, sectional garage doors can be fitted in every garage door opening, offer a wider passage width and are optimally sealed.

Treat yourself to this comfort and convenience.

Easier entrance into the garage and more room in front of and in the garage



For every fitting situation

The shape of the garage door opening is not of prime importance. Whether square, angled, with segmental or full centred arch – a sectional door always fits.



Narrow passage width with old up-and-over doors



Complete passage width with modern sectional doors

Wider passage

With older up-and-over doors, driving in and out is often a matter of millimetres. Sectional doors with a passage width extended by up to 14 cm also make it much easier to park modern, larger vehicles and SUVs.



Sealed all-round

Flexible and weather-resistant seals on all four sides of Hörmann's sectional doors keep out the wind, rain and snow. High-quality intermediate seals between the door sections of double-skinned doors provide for additional sealing. Thanks to its large-sized profile lip, the bottom seal can easily accommodate slight irregularities in the floor. Optional bottom seals with ventilation slots or ventilation grilles in a door section ensure sufficient ventilation.

Good reasons to try Hörmann

Innovations from the market leader



1

Optimum long-term protection

Also resistant to waterlogging

A non-brittle, 4 cm plastic frame shoe offers long-term protection against corrosion (even with waterlogging) that is unmatched by competitor solutions. The frame shoe completely covers the frame in the area susceptible to rust. Only this offers true long-term protection. Together with the door's bottom seal, the frame shoe makes a bottom edge that is visually appealing, as well.



2

Efficient thermal insulation

With thermal break between the frame and the building structure.

A well insulated garage door is always recommended when the garage and the home are directly connected. To further improve the already high insulation values, especially of its LPU sectional door, Hörmann has developed the ThermoFrame frame connection, a plastic profile that can be simply fitted together with the door frame. This creates a thermal break between the frame and brickwork improving the insulation up to **15%***. The optional ThermoFrame frame connection is available for all Hörmann sectional doors.

* For a double-skinned sectional garage door LPU size 5000 x 2125 mm



Tested safety

Hörmann automatic sectional doors have been tested and certified by TÜV in accordance with the TTTZ directive "Break-in resistance for garage doors".*



3

Practical solutions

Wicket door with trip-free threshold

Wicket doors are recommended for easy passage of pedestrians into your garage. You can also retrieve bicycles or gardening equipment from your garage without opening the door. The stainless steel threshold is only 10 mm in the centre and 5 mm high at the sides. This makes it easier to wheel things over and reduces the risk of tripping up.

4

More security, of course.

Reliable protection with the anti-lift kit

Uninvited guests barely stand a chance with Hörmann's automatic sectional doors. When the garage door is closed, the anti-lift kit automatically engages in the operator boom's stop, locks immediately and is secured against forced opening. This door latching functions purely mechanically, and in contrast to competitor operators, continues to secure the door even when the power fails.

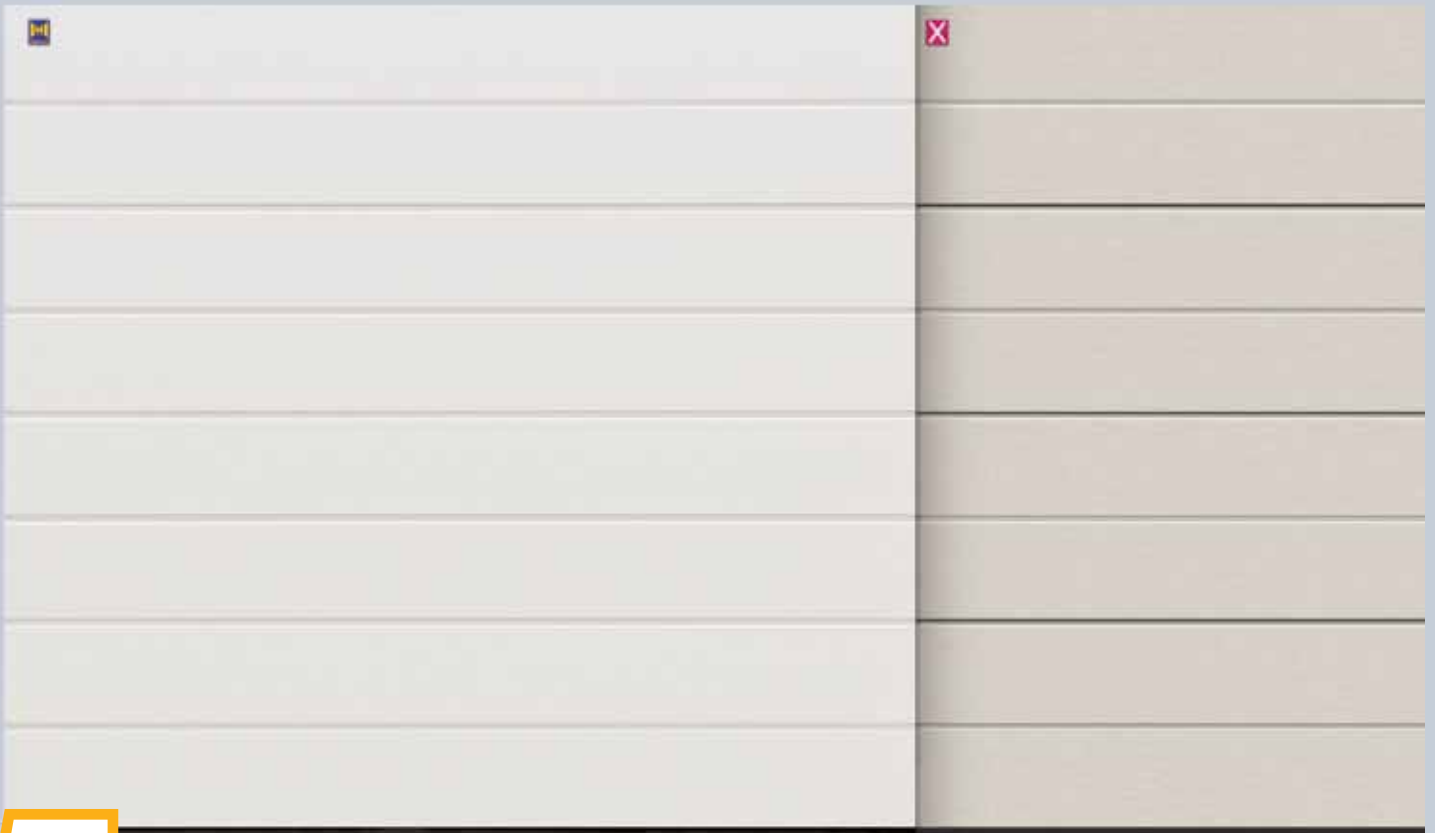


Also take a look at the video at:
www.hormann.co.uk

* not applicable for doors with wicket and doors with glazing

Good reasons to try Hörmann

Hörmann offers high production quality down to the last detail



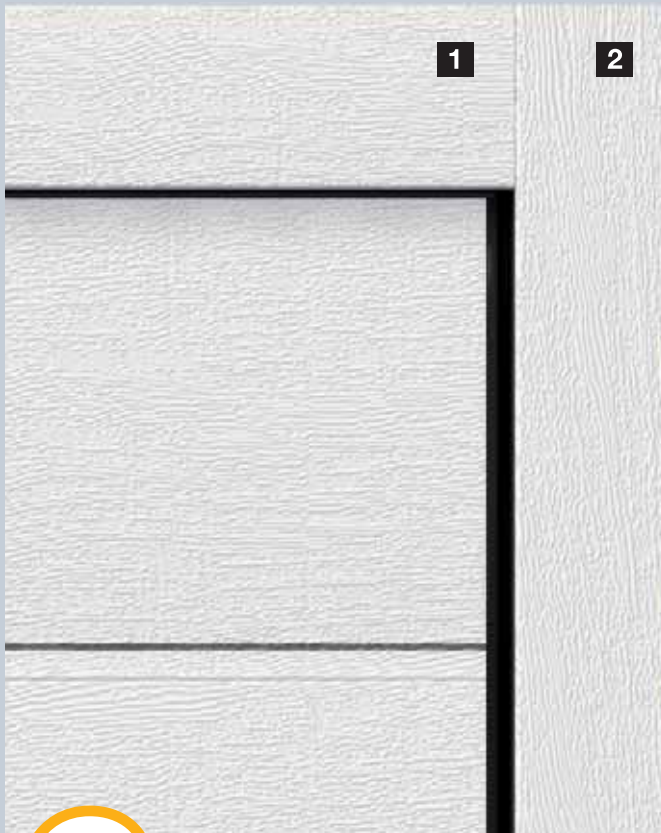
5

A harmonious overall appearance

Many competitor doors have an unsmooth appearance caused by visible section transitions

Even distribution with invisible section transitions

Hörmann garage doors are distinguished by equal-height sections with precisely aligned ribbing and panelling. The sections are shaped so perfectly that the transitions are practically invisible when the door is closed. See for yourself! To further add to the overall appearance, a practical side door with an alignment matching the sectional garage doors is also available. Further proof of the high production quality of Hörmann building products.



6

Matching appearance of frames and door leaves

Matching appearance also with coloured doors

A harmonious overall appearance

The perfect appearance of a door is the result of many small details: for example fascia panels **1** and side frames **2**. Hörmann provides these components to match the door sections with a white Woodgrain surface finish as standard.

Frame covering in the same colour

Doors with Silkgrain or Decograin surface finishes, as well as coloured doors, come with frame coverings **2** (as an optional extra) that match the surface and colour of the door leaf. Hörmann fascia panels **1** also always match the door. This ensures that everything fits together. For further information, please see page 58.

Good reasons to try Hörmann

Hörmann BiSecur: The modern radio system for garage door and entrance gate operators



Bi-directional radio system BiSecur

7

Convenient inquiry of the door position

The modern radio system for garage door and entrance gate operators
Our bi-directional, high-security BiSecur radio system is based on future-oriented technology that allows you to conveniently and safely operate garage doors, entrance gates, lights and much more.

Convenient and safe with bi-directional radio technology
You no longer have to go out in all kinds of weather to check that your garage door is closed. At the press of a button, the colour of the LED on the HS 5 BS hand transmitter indicates the position of the door. Press the button* again to close the door.

* An additional photocell is required if the door is operated out of view.



PATENT PENDING



reddot design award
honourable mention 2011

8

Certified security

With a stable, interference-free range

The newly developed, extremely secure BiSecur encryption protocol makes sure that no-one can copy your radio signal. It has been tested and certified by security experts at the Bochum University and has the same high security level as online banking.

9

Award-winning design

Exclusive hand transmitters

The new, exclusive BiSecur hand transmitters are set apart by a black or white high-gloss surface in a piano lacquer look, as well as by an elegant shape that fits easily in the palm of your hand.

Hörmann's BiSecur hand transmitters have been awarded a design prize by an international jury.

Figure above: HS 5 BS hand transmitter with optional hand transmitter station.

Choose your dream door

The right solution for every taste



S-ribbed

M-ribbed

L-ribbed

Panelled



Woodgrain



Silkgrain



Micrograin



Titan Metallic



Golden Oak



Dark Oak



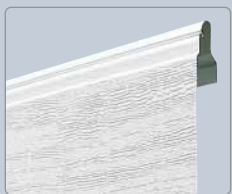
Light Oak



Night Oak



Rosewood



LTE
Single-skinned
steel panel



EPU
Double-skinned insulated
steel sandwich panel
42 / 20 mm thick



LPU
Double-skinned insulated
steel sandwich panel
42 mm thick



LTH
Solid timber panels
Nordic Pine



LTH
Solid timber panels
Hemlock

3 steel surfaces

The three surface finishes: Woodgrain, Silkgrain and Micrograin are extremely durable and easy to clean. You can choose from 15 preferred colours and from almost all RAL colours.

6 Decograin surface finishes

Metallic decors

The elegant decor surface Titan Metallic in dark Anthracite is a very good match for Hörmann entrance doors that come in the colour CH 703.

Timber decors

UV-resistant Decograin surface finishes are available in five timber decor variants.

3 steel panels

Single-skinned LTE doors are ideal for free-standing garages.

Double-skinned EPU doors provide excellent thermal insulation and are the right choice if your garage adjoins the house.

Double-skinned LPU doors increase door stability, run smoothly and also offer the best-possible insulation if you use your garage as a hobby room and would like to keep your energy costs low.

2 solid timber panels

Ribbing and panelling emphasise the flair of a natural look.

S-ribbed

Door style with a classic look



Hörmann aluminium entrance door TopPrestige, style 860 in the preferred colour Anthracite grey, RAL 7016



S-ribbed with the surface finish Woodgrain in the preferred colour Anthracite grey, RAL 7016

S-ribbed

With steel or solid timber panels



S-ribbed with the surface finish Woodgrain in the preferred colour Fir green, RAL 6009



S-ribbed with the surface finish Woodgrain in the preferred colour Anthracite grey, RAL 7016



S-ribbed in Hemlock



Brief overview

Steel panel surface finishes



Woodgrain
LTE*, LPU

Solid timber panels



Nordic Pine,
Hemlock
LTH



S-ribbed with the surface finish Woodgrain in Traffic white, RAL 9016 with matching side door (see page 52)

*LTE only in Traffic white

Design overview

From page 38

Surface finishes and colours

From page 46

Dimensions and fitting data

From page 70

M-ribbed

The door style for modern architecture



Hörmann aluminium entrance door TopPrestige, style 861 in the preferred colour Window grey, RAL 7040



M-ribbed with the surface finish Decograin Rosewood

M-ribbed

Steel or solid timber panels





M-ribbed in Hemlock, impregnated at the factory



M-ribbed with the surface finish Silkgrain
in Traffic white, RAL 9016, with LED light strip on the lintel
(For further information, see the garage and entrance gate operator brochure)



M-ribbed with the surface finish Woodgrain
in the preferred colour Anthracite grey, RAL 7016
with a practical wicket door with trip-free threshold (see page 50)

Left figure: M-ribbed with the surface finish Decograin Titan Metallic

Brief overview

Steel panel surface finishes



Woodgrain
LTE*, EPU, LPU



Silkgrain
LPU



Micrograin
LPU



Decograin Titan Metallic
LPU



Decograin timber decors
LPU

Solid timber panels



Nordic Pine,
Hemlock
LTH

*LTE only in Traffic white

Design overview

From page 39

Surface finishes and colours

From page 46

Dimensions and fitting data

From page 70

L-ribbed

The door style with superior elegance





L-ribbed with the surface finish Silkgrain in the preferred colour Anthracite grey, RAL7016

L-ribbed

Steel or solid timber panels



L-ribbed with the surface finish Silkgrain in the preferred colour Anthracite grey, RAL7016



L-ribbed in Nordic Pine

L-ribbed with the surface finish Silkgrain in the preferred colour Ochre brown, RAL 8001





L-ribbed with the surface finish Silkgrain in Traffic white, RAL 9016



Brief overview

Steel panel surface finishes



Woodgrain
LPU



Silkgrain
LPU



Micrograin
LPU



Decograin Titan Metallic
LPU

Solid timber panels



Nordic Pine,
Hemlock
LTH

Design overview

From page 40

Surface finishes and colours

From page 46

Dimensions and fitting data

From page 70

Panelled

The door style for classic buildings





Panelled with the surface finish Woodgrain in the preferred colour Anthracite grey, RAL 7016

Panelled

Steel or solid timber panels



Panelled in Hemlock



Panelled with the surface finish Woodgrain in Traffic white, RAL 9016, classic glazing S2 (see page 45)

Panelled with the surface finish Decograin Golden Oak





Panelled in Hemlock, impregnated and primed white

Brief overview

Steel panel surface finishes



Woodgrain
LTE*, EPU, LPU



Decograin timber decors
LPU

Solid timber panels



Nordic Pine,
Hemlock
LTH



*LTE only in Traffic white

Design overview

From page 41

Surface finishes and colours

From page 46

Dimensions and fitting data

From page 70

Aluminium sectional door ALR

For individual designs on site



Aluminium sectional door ALR with on-site cladding



Aluminium sectional door ALR with on-site cladding



ALR **For exclusive** **facade designs**

With the aluminium sectional door, your garage door is seamlessly integrated into the overall design of your home.

The door basis for facade cladding is a Hörmann industrial sectional door ALR 40 with an aluminium frame construction and PU sandwich infill.

You can design the on-site, flush-fitting cladding according to your wishes with timber, metal, ceramic, plastic and many additional materials. Please consult your Hörmann partner.



Aluminium sectional door ALR Vitraplan

ALR Vitraplan

The door is especially elegant thanks to offset, flush-fitting glazing. The frame profile is concealed, so nothing detracts from the overall appearance. This exclusive door fascinates with a mix of mirroring and transparency.

Detailed information can be found in the Industrial Sectional Doors brochure or in the Internet at www.hormann.co.uk

Design L-ribbed

With stainless steel embellishments and glazing elements



Design L-ribbed style 461 with glazing elements
Hörmann aluminium entrance door TopPrestige style 173

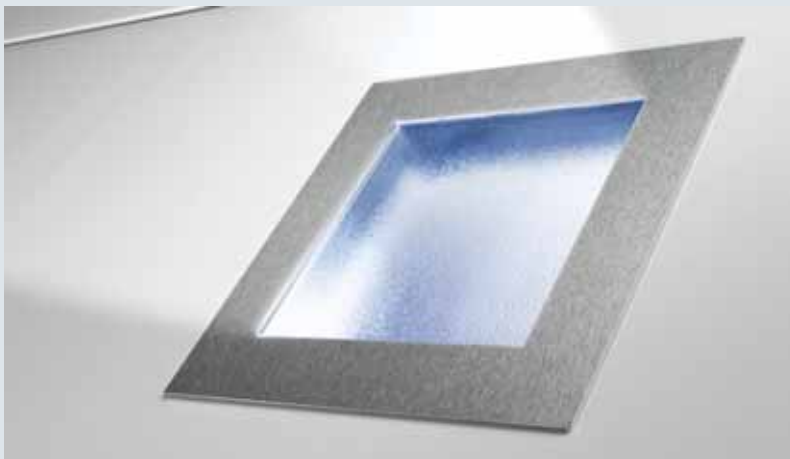


Design L-ribbed style 450 in the preferred colour
Light grey, RAL 7035
Hörmann aluminium entrance door TopPrestige, style 693



Design L-ribbed style 457 in Traffic white, RAL 9016
Hörmann entrance door system TopPrestige style 188

Garage door and entrance door in matching styles



Brief overview

Steel panel surface finish



Silkgrain
LPU

Effective appearance

Stainless steel or glass design elements can be found everywhere in today's modern architecture. Hörmann offers high-quality design doors with a convincing appearance for this style, along with matching entrance doors.

Design overview

From page 42

Surface finishes and colours

From page 46

Dimensions and fitting data

From page 70

Design timber doors

Rustic door styles or individual designs





Door style 403 in Nordic Pine with tropical green natural stone



An example of individual milling, painted white on-site



Door style 402 in Nordic Pine with a matching side door

Left figure: door style 405, painted white on-site with hinged door fitting kit and decorative handles

Brief overview

Solid timber panels



Individual designs

For example, displaying your initials, house number or your favourite motif. Just provide us with an appropriate drawing and we will create a personal garage door for you. It will be an enviable original.

Design overview

From page 43

Surface finishes and colours

From page 49

Dimensions and fitting data

From page 70

S-ribbed

Design overview of doors and side doors

Also available as an industrial sectional door
SPU 40 Plus up to a size of 7000 x 5000 mm



LTE

Single-skinned steel panels

Surface

Woodgrain

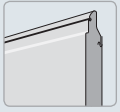
Colour

Traffic white

Max. size

Width 5000 mm

Height 3000 mm



LPU

Double-skinned insulated steel sandwich panels 42 mm

Surface

Woodgrain

Colours

Traffic white

15 preferred colours

RAL to choose

Max. size

Width 6000 mm

Height 3000 mm



LTH

Solid timber panels

Types of timber

Nordic Pine

Hemlock

Max. size

Width 5000 mm

Height 3000 mm



LTE, LPU, Woodgrain



LTH, Nordic Pine



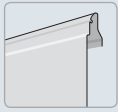
LTH, Hemlock

The figures show a door for an opening of
2500 x 2125 mm
and a matching side door for an opening of
1000 x 2125 mm

M-ribbed

Design overview of doors and side doors

Also available as an industrial sectional door
SPU 40 Plus up to a size of 7000 x 5000 mm

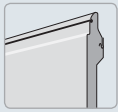


LTE Single-skinned steel panels

Surface
Woodgrain

Colour
Traffic white

Max. size
Width 3000 mm
Height 3000 mm

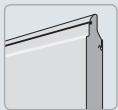


EPU Double-skinned steel sandwich panels 42 / 20 mm

Surface
Woodgrain

Colours
Traffic white
15 preferred colours
RAL to choose

Max. size
Width 5000 mm
Height 3000 mm



LPU Double-skinned steel sandwich panels 42 mm

Surfaces
Woodgrain
Silkgrain
Micrograin

Colours
Traffic white
15 preferred colours
RAL to choose

Decograin surface finishes

Titan Metallic
Light Oak
Golden Oak
Dark Oak
Night Oak
Rosewood

Max. size
Width 6000 mm
Height 3000 mm



LTH Solid timber panels

Types of timber
Nordic Pine
Hemlock

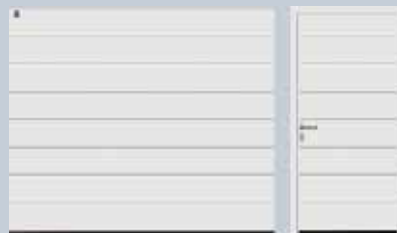
Max. size
Width 5000 mm
Height 3000 mm



LTE, EPU, LPU, Woodgrain



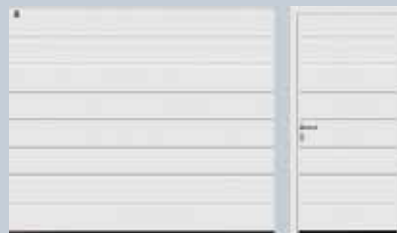
LPU, Titan Metallic



LPU, Silkgrain



LPU, Light Oak



LPU, Micrograin



LPU, Golden Oak



LTH, Nordic Pine



LPU, Golden Oak



LTH, Hemlock



LPU, Night Oak



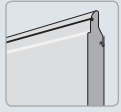
LPU, Rosewood

The figures show a door for an opening of
2500 x 2125 mm
and the matching side door for an opening of
1000 x 2125 mm

L-ribbed

Design overview of doors and side doors

Also available as an industrial sectional door
SPU 40 Plus up to a size of 7000 x 5000 mm



LPU
Double-skinned insulated steel sandwich panels
42 mm

Surfaces

Woodgrain
Silkgrain
Micrograin

Colours

Traffic white
15 preferred colours
RAL to choose

Decograin surface finish

Titan Metallic

Max. size

Width 6000 mm
Height 3000 mm



LTH
Solid timber panels

Types of timber

Nordic Pine
Hemlock

Max. size

Width 5000 mm
Height 3000 mm



LPU, Woodgrain



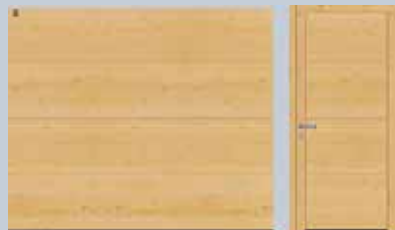
LPU, Titan Metallic



LPU, Silkgrain



LPU, Micrograin



LTH, Nordic Pine

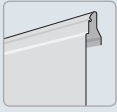


LTH, Hemlock

The figures show a door for an opening of
2500 x 2125 mm
and a matching side door for an opening of
1000 x 2125 mm

Panel

Design overview of doors and side doors

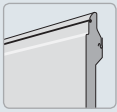


LTE Single-skinned steel panels

Surface
Woodgrain

Colour
Traffic white

Max. size
Width 3000 mm
Height 3000 mm

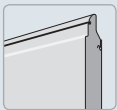


EPU Double-skinned steel sandwich panels 42 / 20 mm

Surface
Woodgrain

Colours
Traffic white
15 preferred colours
RAL to choose

Max. size
Width 5000 mm
Height 3000 mm



LPU Double-skinned steel sandwich panels 42 mm

Surface
Woodgrain

Colours
Traffic white
15 preferred colours
RAL to choose

Decograin surface finishes

Light Oak
Golden Oak
Dark Oak
Night Oak
Rosewood

Max. size
Width 6000 mm
Height 3000 mm



LTH Solid timber panels

Types of timber
Nordic Pine
Hemlock

Max. size
Width 5000 mm
Height 3000 mm



LTE, EPU, LPU, Woodgrain



LPU, Light Oak



LTH, panelled, Nordic Pine



LPU, Golden Oak



LTH, panelled, Hemlock



LPU, Dark Oak



LPU, Night Oak



LPU, Rosewood

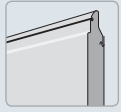
The figures show a door for an opening of 2500 × 2125 mm and a matching side door for an opening of 1000 × 2125 mm

Design L-ribbed

Design overview of doors and side doors



Also available as an industrial sectional door
SPU 40 Plus up to a size of 7000 x 5000 mm

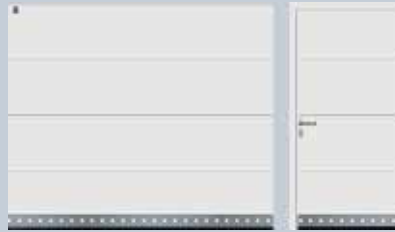


LPU
Double-skinned insulated
steel sandwich panels
42 mm

Surface finish
Silkgrain

Colours
Traffic white
15 preferred colours
RAL to choose

Max. size
Width 6000 mm
Height 3000 mm



LPU, Silkgrain
Style 450



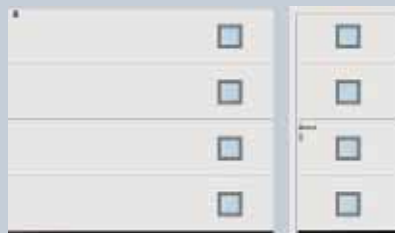
LPU, Silkgrain
Style 456



LPU, Silkgrain
Style 451



LPU, Silkgrain
Style 457, left arrangement,
mirrored style



LPU, Silkgrain
Style 461 with glazing



LPU, Silkgrain
Style 458



LPU, Silkgrain
Style 452



LPU, Silkgrain
Style 459



LPU, Silkgrain
Style 462 with glazing



LPU, Silkgrain
Style 469 with glazing



LPU, Silkgrain
Style 454, centre arrangement

The figures show a door for an opening of
2500 x 2125 mm
and a matching side door for an opening of
1000 x 2125 mm

Design timber doors

Design overview



LTH

Solid timber panels

Types of timber

Nordic Pine

Hemlock (not shown)

Max. size

Width 5000 mm

Height 3000 mm

Setting accents

Choose from 3 natural stones. In styles 403 and 404, natural stone is used as an attractive design feature. Variations in colour and structure are a natural characteristic.

Individual designs

Design your own timber door: A simple drawing is enough for us to manufacture an individual door for you using a computer-aided mill.



LTH Nordic Pine Style 401



LTH Nordic Pine Style 402



LTH Nordic Pine Style 403



LTH Nordic Pine Style 403 with natural stone



Tropical-green



Multicolour-red



LTH Nordic Pine Style 404



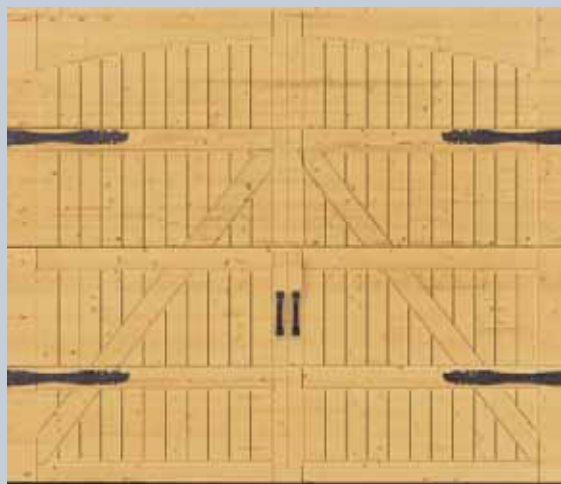
LTH Nordic Pine Style 404 with natural stone



Balmoral-rosso



LTH Nordic Pine Style 405



LTH Nordic Pine Style 405, with hinged door fitting kits and decorative handles (optional)

On request, each garage door can be supplied with a matching side door.

The figures show a door for an opening of 2500 x 2125 mm

Door handles



Polished stainless steel



Black plastic



Cast aluminium, white, similar to RAL 9016



Silver cast aluminium



Brass cast aluminium



Brushed stainless steel



Brown cast aluminium

The flush-fitting cylinder can also be mastered with other locks in your home.

More security and better protection against burglars

For garages without a second access door, we offer you the following options to open your automatic garage door from the outside in an emergency (e.g. in the event of a power failure).

Emergency release lock

For automatic sectional doors where no handle is desired, we recommend an emergency release lock with round cylinder (cannot be mastered with other locks in your home).

Door handles including lock

Can be integrated in the master key system. A Bowden cable on the inside unlocks the door.



Emergency release lock



Latch lock

Burglar-proof, manually operated doors

In this lock, a sturdy automatic latching spring disc grips round a solid steel bolt to securely retain the door. Intruders don't stand a chance!

Glazings



Clear synthetic glazing from Hörmann comes as standard with DURATEC glazing. It offers:

- **Maximum scratch resistance**
- **A permanently clear view**
- **Improved thermal insulation**

Glazing type D

For all door types and side doors with ribbed design, in the surface finishes Woodgrain and Decograin, plastic glazing frame in black, white or in door colour on request, glazing depending on door type with single or double synthetic panes, in clear or crystal structure

Aluminium frames

For all door types and side doors with ribbed design, anodised aluminium glazing frame (DIN 17611), surface finish anodised in a natural finish E6/C0 (previously E6/EV1), on request available in door colour as standard profile (NF) or profile with thermal breaks (WF), glazing with single or double synthetic panes, in clear or crystal structure

Classic glazing

For all door types and side doors with ribbing and panelling.

Sunrise glazing

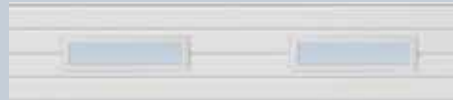
For all door types and side doors with ribbing and panelling, glazing frames and decorative rails: plastic, standard white, on request in door colour, with Decograin doors, frame is painted in a colour matching the door, glazing depending on door type with single or double synthetic panes, in clear or crystal structure

V-panelled glazing

Overall frame dimension dependent on the panel or door size

Note:

Glazings not possible in the two bottom door sections.



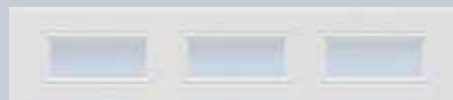
Glazing type D



Aluminium frames



Classic glazing S0



Classic glazing M0



Classic glazing L0



Classic glazing S1



Classic glazing S2



Classic glazing M2



Sunrise glazing S10



Sunrise glazing S60



V-panelled glazing V0

On left: Example of classic glazing in a 2500 mm wide door.

Your Hörmann partner can show you further Sunrise glazing designs.

Surface finishes and colours

It's your choice

3 surface finishes



Woodgrain, Traffic white, RAL 9016



Silkgrain, Traffic white, RAL 9016



Micrograin, Traffic white RAL 9016

As standard in inexpensive Traffic white

Woodgrain

On this robust surface with an authentic sawn timber look, minor scratches can be repaired without leaving any visible sign of damage.

Silkgrain

This silky-smooth, elegant surface particularly fits well with modern architecture.

Micrograin

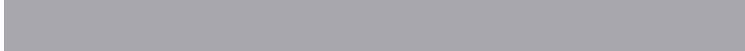






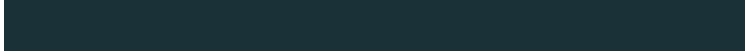






This surface features a wave profile that is embossed into smooth steel, producing attractive light and shadow effects.

Sectional garage doors are generally supplied in Grey white, RAL 9002 on the inside of the door.

Dark colours should not be used for double-skinned steel doors that are exposed to the sun, as possible section deflection may restrict the door's function.

The colours and surfaces shown are subject to the limitations of the printing process and cannot be regarded as binding. Please consult with your local Hörmann specialised dealer.

15 preferred colours

	Grey aluminium // NEW	RAL 9007
	White aluminium	RAL 9006
	Terra brown	RAL 8028
	Clay brown	RAL 8003
	Ochre brown	RAL 8001
	Window grey	RAL 7040
	Light grey	RAL 7035
	Stone grey	RAL 7030
	Anthracite grey	RAL 7016
	Fir green	RAL 6009
	Moss green	RAL 6005
	Pigeon blue	RAL 5014
	Steel blue	RAL 5011
	Ruby red	RAL 3003
	Light ivory	RAL 1015

15 equally-priced preferred colours

Double-skinned LPU garage doors and side doors are additionally available as standard in Traffic white, RAL 9016 as well as in 15 inexpensive preferred colours and in around 200 colours from the RAL colour chart. Single-skinned LTE doors only come in Traffic white.

The surfaces are perfectly protected against rust. Rain runs off without leaving any streaky marks thanks to the use of hot-galvanized material and a high-quality polyester-primer coating on both sides. A grey haze from air pollution is largely prevented.

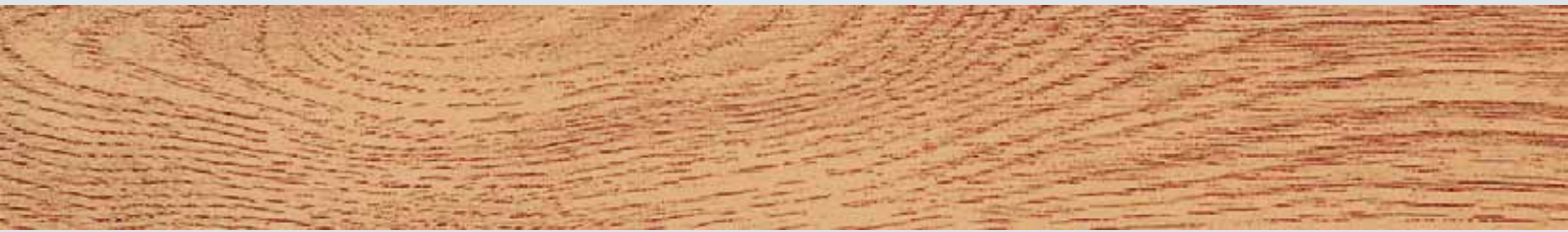
* With the exception of pearl-effect, fluorescent and metallic colours.

Decograin surface finishes and types of solid timber

6 Decograin surface finishes



Decograin Titan Metallic, Anthracite with a metallic effect



Decograin Light Oak, light, warm oak design



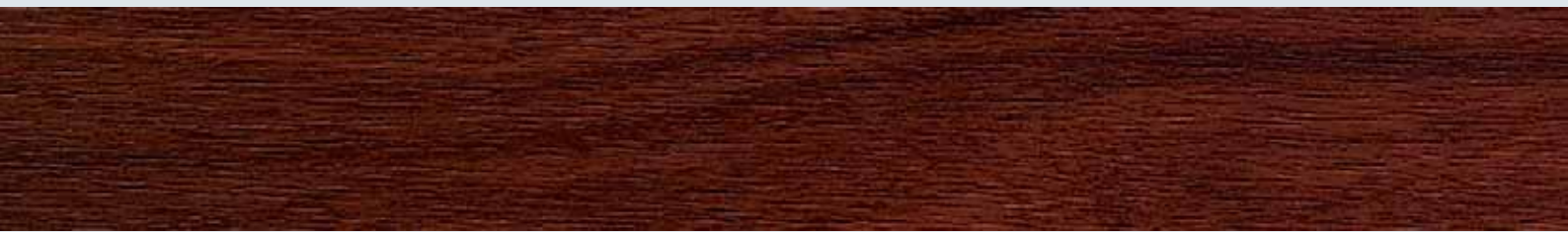
Decograin Golden Oak, medium brown, golden yellow oak design



Decograin Dark Oak, walnut-coloured oak design



Decograin Night Oak, dark, intense oak design



Decograin Rosewood, mahogany-coloured timber design

Decograin surface finishes

The UV-resistant synthetic foil coating on the exterior of the steel panels has all the aesthetics of timber. A special surface protection preserves the appearance of the door over a long time.

Decograin steel doors are generally supplied in Grey white, RAL 9002 on the inside of the door.

Dark surface finishes should not be used for double-skinned steel doors that are exposed to the sun, as possible section deflection may restrict the door's function.

The colours and surfaces shown are subject to the limitations of the printing process and cannot be regarded as binding. Please consult with your local Hörmann specialised dealer.

2 types of solid timber



Nordic Pine solid timber



Hemlock solid timber

Nordic Pine is a light-coloured softwood with predominantly straight graining. Heart shakes, individual resin pockets, spiral graining and the yellowish brown “knots” are natural characteristics of the wood.

Hemlock is a greyish white to light-greyish brown softwood with predominantly straight grain, brown mineral stripes along the grain and with bark pockets.

The timber is impregnated at the factory to protect it against insect and fungal attack. To protect it from weathering and retain its beautiful appearance, please treat the timber with a wood preservative.

Wicket doors with trip-free threshold

A door in the door





Unhindered access to the garage for doors up to 4000 mm width

Only Hörmann offers a wicket door stainless steel threshold that is only 10 mm in the centre and 5 mm high at the sides. This reduces the risk of tripping up and makes it easier to wheel things through.

The aluminium door frame is anodised as standard in a natural finish and is also available in the door colour. The top garage door section, also in the wicket door area, comes with a continuous lintel seal. Fittings: overhead door closer, mortice lock with profile cylinder, lever handle set (offset / flat) with oval rose escutcheons.

Wicket doors generally open outwards.

As standard with slide rail door closer

The proven slide rail door closer is supplied without a hold-open device. Available on request with a hold-open device.

Optional with an integrated door closer // NEW

The integrated door closer with hold-open device is concealed in the door and frame and therefore particularly elegant and safe (see figure 1).

Optional multiple-point locking // NEW

Multiple-point locking offers increased break-in-resistance and additional stability with one bolt and hook bolt per section (see figure 2). The wicket door is also closed more tightly and the door leaf is held firmly over the entire height.

For information on order options or glazing specifications, please see the price list or ask your Hörmann partner.



A wicket door gives you easy access to everything in the garage: gardening equipment, bicycles or wheelbarrows.



On request, Decograin wicket doors can be supplied with the frame painted to match the colour of the decorative finish.



Note: To further increase the safety of your garage door with wicket door and trip-free threshold, we recommend using the optional leading photocell VL2.



Manually-operated garage doors with a wicket door do not have an outside handle. They are locked from the inside.



The panel divisions may not be matching for combined panelled doors with and without wicket doors with the same width.

Side doors

A matching side door for every garage door



Hörmann offers matching side doors for all of its garage doors.
On request in the exact same alignment as your sectional garage door.

The perfect addition: a side door to match your garage door

Ready-to-fit door set

Hörmann side doors are supplied ready-to-fit with profile cylinder mortise lock, round handle / lever handle set with oval rose escutcheons and on models with block frame with 3-way adjustable hinges. Door leaf frames are made of weather-proof aluminium extrusions (depth 60 mm) with all-round seals.

Side doors are available in the surface finishes: Woodgrain, Silkgrain, Micrograin, Decograin Titan Metallic and Decograin timber decors. We offer timber doors in Nordic Pine and Hemlock.



Narrow surround

Depending on the height of the door, variable handle position between 898 and 1064 mm from FFL.

Aluminium block frame (profile type 1)
for fitting behind the opening or in the opening (opening inwards)

Aluminium corner frame (profile type 1)
for internal fitting

Aluminium corner frame (profile type 3)
for external fitting



Broad surround

Lever height set at 1050 mm from FFL

Aluminium block frame (profile type 2)
for fitting behind the opening or in the opening (opening inwards or outwards)

Aluminium corner frame (profile type 2)
for internal or external fitting

For further information, please see the fitting data or contact your Hörmann partner.



Lever handle set

Choose between the standard plastic lever handle in black or optional lever handle or lever / knob handle set in many other materials (Fig: stainless steel lever handle set).



Matching

Decograin side doors with block frames or corner frames come with identical surfaces for the frame, subframe and door to create a matching appearance.



Break-in-resistant

3-point locking as optional equipment for profile type 2 with latch, bolt, 2 locking hooks and security rose escutcheon class 2 according to DIN V EN V 1627-1630.

Modernise and improve

Hörmann offers optimal solutions for every fitting and renovation situation



At some point it is simply time to modernise your garage door. The best partner for this: Hörmann and its inexpensive standard sizes, especially for modernisation purposes. Hörmann can provide you with an attractive and proper solution for any fitting situation.

Benefit from affordable standard sizes.

Of course we can also meet all your wishes for individual solutions without any problems.



These Hörmann standard sizes will truly save you money and get you using your new sectional door faster.

Modernise with inexpensive and quickly available standard sizes

Hörmann offers many standard sizes that can easily be installed into your existing garage opening. Most of Hörmann's modernisation sizes are available directly from stock and therefore get to you quickly.

Everything from a single source with your Hörmann partner

Your Hörmann service partner can make modernisation easier than you think: from personal consultation to proper disassembly and environmentally-friendly disposal of your old door, as well as correctly dimensioned fitting.



Your Hörmann partners will gladly explain the benefits of a sectional garage door.

Trouble-free, simple fitting

For standard fitting, Hörmann delivers the sectional doors with all necessary fitting material. For problematic fitting situations, Hörmann has developed a special universal anchor that can be used to fasten the frame on the sides. The design flexibly compensates for any irregularities in the walls.

Clean bottom door edge for an attractive appearance

Hörmann offers attractive solutions for every fitting situation. This saves fitting time and reduces costs. Visible gaps between frames and the reveal can thus be covered with a frame covering, an optional retrofit fascia or a fascia frame set. Of course, all this comes in surface finishes and colours that match the door.

On the following pages you will find numerous solutions for every fitting situation.



Your door is fitted within a day – of course with operator plus convenient remote control

Properly mounted and fitted

Standard fitting and special anchors for side fixing



Everything standard

The sectional door can be fitted behind the opening. The reveal guarantees stable fitting. This allows the frame to be screwed directly into the wall behind the opening.

Standard fitting

Ideally, the available garage has at least 100 mm of clearance in the lintel area (at least 115 mm for doors with operators) and a 90 mm sideroom.

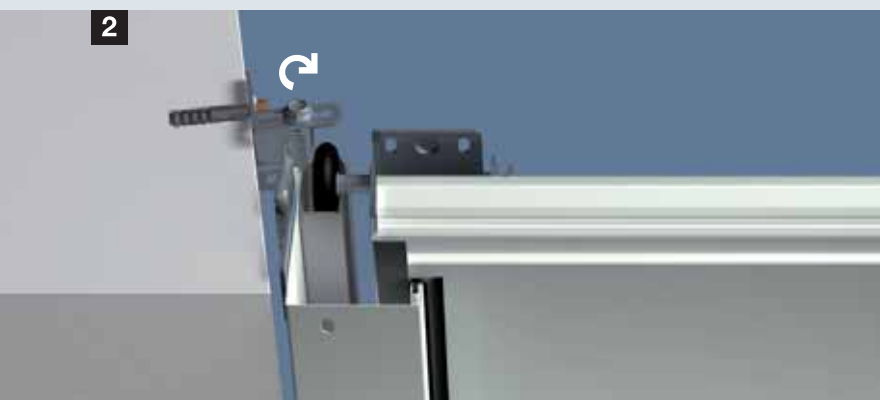
Hörmann sectional doors come with all the necessary fitting materials for this situation.



Optional special anchor for frame side fixing

The sectional door frame can be fitted to the side wall of the garage with Hörmann's special universal anchors. Irregularities in the wall can be easily compensated for, leaving the reveal intact.

1 Fitting with up to 35 mm wall spacing



2 Fitting with angled or irregular side wall



3 Fitting with non-load bearing facades (facing brick or thermal insulation) with at least 90 mm / 125 mm sideroom

For further information, please see the fitting data or contact your Hörmann partner.

Properly adjusted

Fascia panels to create the look of a single unit



Fascia panels

For standard fitting behind the opening with small lintel space

The standard fascia panels from Hörmann always match the door and can thus be visibly mounted in the opening.



Double-skinned fascia panel

For fitting in the opening with larger gap to the ceiling

A matching, double-skinned fascia panel covers the gap between the ceiling and fascia panel.



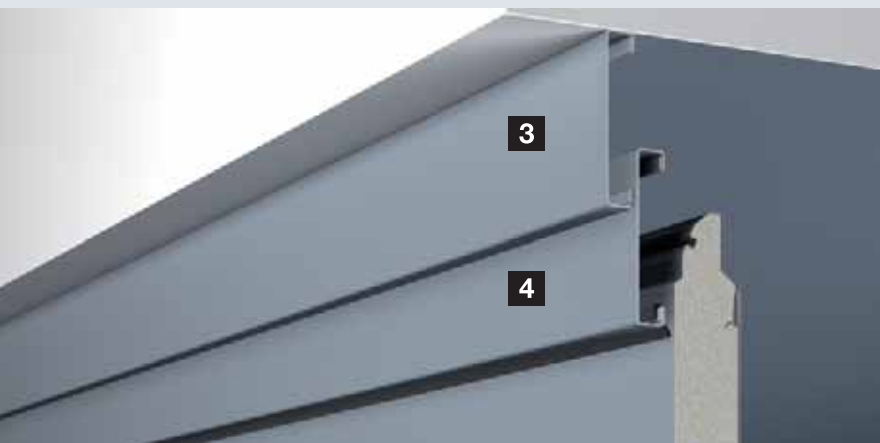
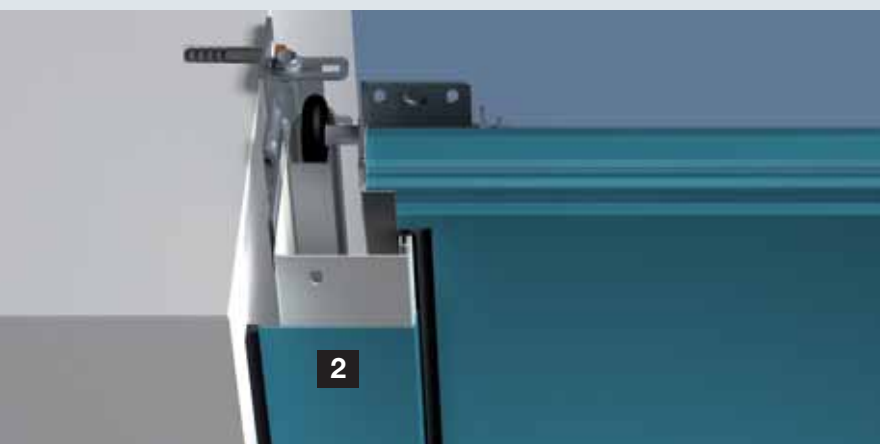
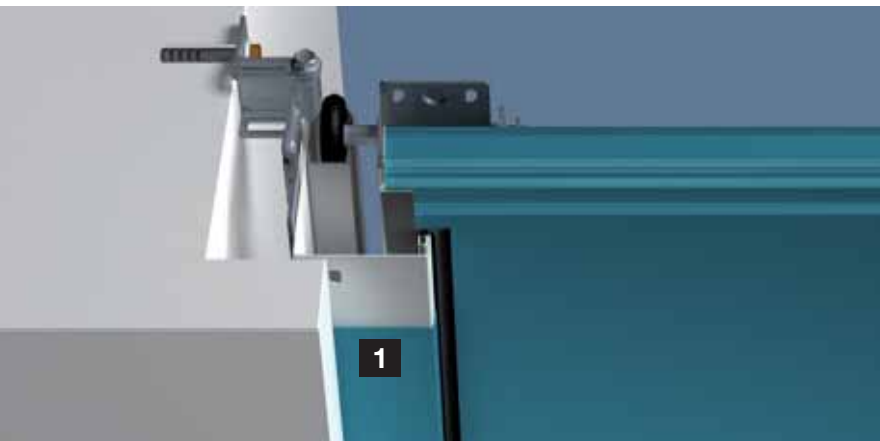
Flush-fitting fascia panels // **NEW**

For LPU doors, a fascia panel is the most elegant solution for an invisible transition between the panel and door leaf. When the door is closed, the top door section is flush with the panel. It is available in all door styles (panels available on request).

For further information, please see the fitting data or contact your Hörmann partner.

Overall beautiful appearance

Frame covering and fascia frame set



Frame covering in the colour of the door

At Hörmann, side frames are delivered in Woodgrain white. With coloured doors, the visible part of the side frame can be matched with a frame covering in the style or colour of the door.

Two different widths make it possible to cover the side frame for different fitting situations.

1 55-mm-wide frame covering for a fitting behind the opening, with little sideroom (< 90 mm)

2 90-mm-wide frame covering for fitting in the opening, flush with the wall

Fascia frame set for lintel and side

A door in an inexpensive standard or modernisation size can be fitted in the opening.

The remaining gap between the side wall and door frame (max. 35 mm) is covered using a fascia frame set **3**. This set comes with fascia panels, end caps, and fixing materials.

The standard fascia panel **4** comes in the style of the door.

Additionally, the side frame is covered with the frame covering **5**.

For further information, please see the fitting data or contact your Hörmann partner.

Solutions for special fitting situations

Retrofit fascias



Retrofit fascia set

To properly cover damaged wall edges

Unattractive gaps in the lintel and opening areas can be covered easily with the optional retrofit fascia, doing away with the need for additional bricklaying and plastering work.

Delivered in a set with 3 fascia panels (each 3 m long) and available in all surfaces and colours to match the door.



Overall solution for sectional doors in concrete pre-fabricated garages

Broader fascia panels for fitting in concrete pre-fabricated garages perfectly cover the lintel area of the opening.

The special door frame with pre-fitted anchors and frame fascias is fitted to the side wall or on the conical sideroom. The wide frame fascia covers the existing gap between the frame and the opening.



For further information, please see the fitting data or contact your Hörmann partner.

Hörmann's high-quality garage door operators

Reliable, safe and maintenance-free



Hörmann operator technology
Sophisticated and innovative technology that makes your life more convenient and safe.



Two operator variants

Security both day and night with automatic locking



SupraMatic

The supra-fast operator with an array of additional functions.



SupraMatic
As standard with a black HS 5 BS hand transmitter and a black HSE 2 BS hand transmitter



ProMatic

The good-value starter model as an introduction to Hörmann's premium quality.



ProMatic Akku
An optional solar module recharges the battery.



ProMatic
As standard with two black HSE 2 BS hand transmitters



SupraMatic

- 5-button hand transmitter HS 5 BS (black) including inquiry of the door position and (black) HSE 2 BS hand transmitter
- Low power consumption costing only around £3 per year.
- Easy-to-use programming thanks to double 7-segment display
- Halogen lighting can be switched on / off separately
- Additional opening height for a well-ventilated garage
- Operator cover in brushed aluminium

SupraMatic E

Pull and push force: 650 N
 Peak force: 800 N
 Opening speed: max. 22 cm/s.
 Door width: up to 5500 mm (max. 13.75 m² door surface)

SupraMatic P

Including photocell
 Pull and push force: 750 N
 Peak force: 1000 N
 Opening speed: max. 22 cm/s
 Door width: up to 6000 mm (max. 15 m² door surface)
 For heavy timber doors and doors with wicket doors.

ProMatic

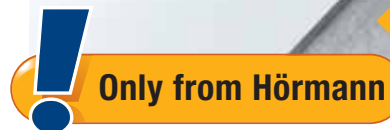
- Two 2-button hand transmitters HSE 2 BS (black)
- Additional opening height for a well-ventilated garage

ProMatic

Pull and push force: 600 N
 Peak force: 750 N
 Opening speed: max. 14 cm/s
 Door width: up to 5000 mm (max. 11 m² door surface)

ProMatic Akku

For garages without a power connection
 Pull and push force: 350 N
 Peak force: 400 N
 Opening speed: max. 13 cm/s
 Door width: up to 3000 mm (max. 8 m² door surface)



Automatic locking

The door automatically locks on closing, making it impossible to lever it open. This unique automatic latching system is a mechanical device and therefore remains fully functional even in the event of a power failure.



Take a look at the video at: www.hormann.co.uk



Photocell EL 101

Increased security

Families with children particularly appreciate extra safety. A photocell installed in the garage opening immediately stops the door before it encounters an obstruction. An extra bit of protection for a minimal cost.

* With 5 door cycles per day and an electricity price of 0.25 euros/kWh

Mobile and stationary accessories



reddot design award
honourable mention 2011



HS 5 BS
hand transmitter // NEW
4 button functions
plus inquiry button
available in black and
white, full scope of function
only with SupraMatic and
ProMatic operators



HSE 2 BS
hand transmitter // NEW
2 button functions
incl. key ring,
available in black and white



HS 4 BS
hand transmitter // NEW
4 button functions
only available in black



HS 1 BS
hand transmitter // NEW
1 button function
only available in black



reddot design award
winner 2007



HSD 2-A BS
hand transmitter
Aluminium look,
2 button functions,
can also be used as a key ring



HSD 2-C BS
hand transmitter
High-gloss chrome,
2 button functions,
can also be used as a key ring



HSP 4 BS
hand transmitter
4 button functions,
with button lock-out,
incl. key ring



HSZ 1 BS
hand transmitter
1 button function,
for insertion in vehicle cigarette lighter



HSZ 2 BS
hand transmitter
2 button functions,
for insertion in vehicle cigarette lighter



With Hörmann, everything fits together. Using the same hand transmitter you can operate your garage door, as well as your Hörmann entrance gate operator.



FCT 3 BS
radio code switch // NEW
For 3 functions,
with illuminated buttons



FCT 10 BS
radio code switch // NEW
For 10 functions,
with illuminated buttons
and protective cover



FFL 12 BS
radio finger-scan // NEW
For 2 functions
and up to 12 finger prints



FIT 2
radio internal push button
For 2 operators
or operator functions




reddot design award
honourable mention 2011

Hand transmitter HS 5 BS
with practical hand transmitter station // NEW




reddot design award
winner 2007

Hand transmitter HSD 2-C BS, for your key ring



Hand transmitter HSZ 2 BS,
always on hand in the cigarette lighter

Technically mature

Operating comfort with the highest security



Safety while operating the garage door is top priority for Hörmann. And Hörmann sets the standards for this with its innovative solutions. This has been proven time and time again through numerous Hörmann patents.

And this provides you and your family with safety during daily use.



Hörmann patent

Tension spring technology with spring-in-spring system

Hörmann sectional doors with double tension springs and double cables per side safeguard the door leaf against crashing to the floor. Thanks to the patented spring-in-spring system, broken springs are prevented from flying out and causing injuries.

Sectional doors up to 3000 mm wide and 2625 mm high include the proven tension spring technology as standard.



Hörmann patent

Torsion spring technology with integrated spring safety device

Hörmann sectional doors incorporate torsion springs on both sides featuring a patented spring safety device. In the event of a spring breaking, they arrest the door immediately, thereby preventing the door leaf from crashing to the floor. Larger sectional doors and doors with integral wicket door or garage doors with solid timber panels feature torsion spring technology.



Hörmann patent

Secure guidance of the door in safety tracks

Adjustable, patented track rollers, sturdy roller holders and safety tracks ensure that there is no danger of the door "derailing". The door sections are safely parked under the ceiling.



Finger trap protection on the inside, outside and on the hinges

The unique form of the door sections eliminates trap points, both between the sections and on the hinges. This reliable finger trap protection is only offered by Hörmann.



Trap guard on the side frame

With Hörmann, the frames are completely closed from top to bottom. There are no gaps between the door leaf and frame in which fingers could get trapped!



Safety features in accordance with European standard 13241-1

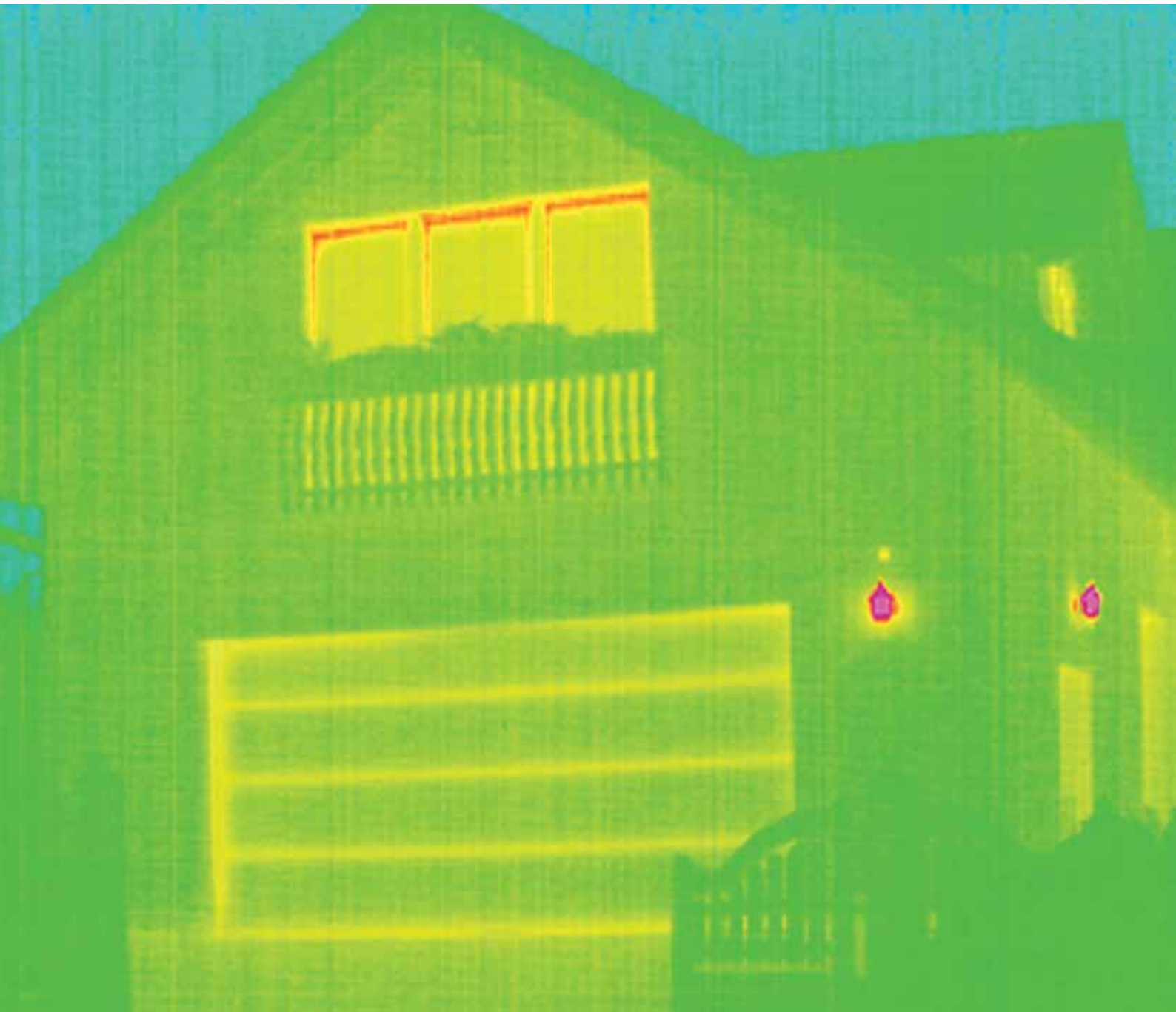
Anti-fall safeguard Trap protection

Hörmann sectional doors are tested and certified in accordance with the high safety requirements of European standard 13241-1, not only on their own but also in combination with operators. It would be hard to find a safer sectional door.

It pays to compare!

Optimum thermal insulation

Tested and certified



A well insulated garage door is always recommended when the garage and the home are directly connected. The ThermoFrame frame connection further improves the already high insulation values of the double-skinned Hörmann sectional garage doors.

This reduces your energy costs.



Only from Hörmann

PATENT PENDING



ThermoFrame Improved thermal insulation for sectional doors

The plastic profile that can be simply fitted together with the door frame, creates a thermal break between the frame and the brickwork, improving the thermal insulation by up to 15%*.

In addition, extra lip seals on both sides and in the upper section of the door provide better sealing while lowering the loss of heating energy from the garage interior.

The optional ThermoFrame frame connection is optionally available for all Hörmann sectional garage doors.

* For a double-skinned sectional garage door LPU size 5000 x 2125 mm

Performance characteristics according to European standard 13241-1

At Hörmann, the four important characteristics of thermal insulation, acoustic insulation, tightness and sealing, and wind load for garage doors are tested and certified.

These are important for your choice of door over and above the mandatory safety requirements. For example: thermal and acoustic insulation for the garage, sealing against adverse weather effects and resistance to wind pressure in particularly windy regions.

Thermal insulation

Double-skinned steel doors 42 / 20 mm	
Section	U = 1.0 W/(m ² ·K)
Door leaf	U = 1.4 W/(m ² ·K)
Fitted door ¹⁾	U = 1.8 W/(m ² ·K)
Double-skinned steel doors 42 mm	
Section	U = 0.5 W/(m ² ·K)
Door leaf	U = 0.9 W/(m ² ·K)
Fitted door ¹⁾	U = 1.4 W/(m ² ·K)
Single-skinned steel doors	
Door leaf	U = 6.0 W/(m ² ·K)
Fitted door ¹⁾	U = 6.5 W/(m ² ·K)
Doors with solid timber infill	
Door leaf	U = 2.5 W/(m ² ·K)
Fitted door ¹⁾	U = 3.0 W/(m ² ·K)

Acoustic insulation

Single-skinned steel doors	R = approx. 20 dB
Double-skinned steel doors 42 / 20 mm	R = approx. 21 dB
Double-skinned steel doors 42 mm	R = approx. 25 dB

Sealing

Air	Single-skinned steel doors	Class 0 ²⁾
	Double-skinned steel doors ribbed (not L-ribbed)	Class 2
	Double-skinned steel doors panelled and L-ribbed	Class 3
	Doors with solid timber infill	Class 0 ²⁾
Water	Single-skinned steel doors	Class 0 ²⁾
	Double-skinned steel doors	Class 3 ³⁾
	Doors with solid timber infill	Class 0 ²⁾

Wind load

Single-skinned steel doors	Class 2
Double-skinned steel doors 42 / 20 mm	Class 3
Double-skinned steel doors 42 mm	Class 3
Doors with solid timber infill	Class 3

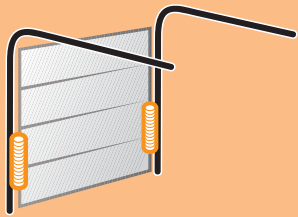
Higher wind load classes on request

¹⁾ The U-values apply to fitted doors without glazing and a size of: 5000 x 2125 mm

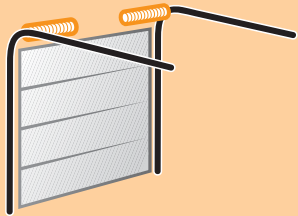
²⁾ Doors with ventilation slots, on request classes 2-3

³⁾ Up to 70 Pa water pressure

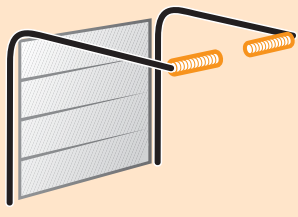
Track applications



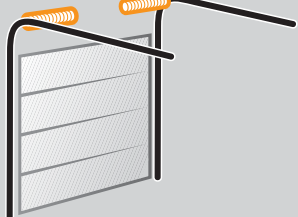
Z tracks
Tension spring track application with torsion spring technology



N tracks
Normal track application with torsion spring technology



L tracks
Low-headroom tracks with torsion spring technology



H tracks
High-lift track application with torsion spring technology

Explanation of dimensions

- Track applications**
- Z Tension spring track application
 - N Normal track application
 - L Low headroom track application
 - H High-lift track application
- If you are interested in this track version for high-lift doors, contact your Hörmann partner.
- Timber doors are always supplied with torsion spring technology, irrespective of the size.
- Ordering size**
- LZ Clear frame dimensions
 - RM Grid height
 - Available standard sizes depending on the door type and door style
- DE Ceiling height
- N tracks**
- ** With ThermoFrame and operator + 45 mm
- Z / L track application**
- ** With ThermoFrame and operator + 30 mm
- LDH Clear passage height
- L tracks**
- * With doors over 3010 mm wide, the clear passage is reduced by a further 50 mm.
- GIM Inside garage dimension
- ET Distance back

For further information, please see the fitting data or contact your Hörmann partner.

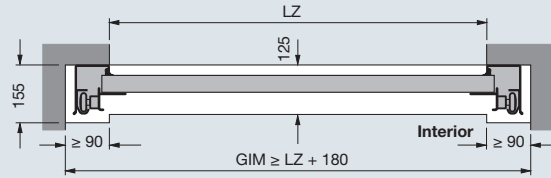
Dimensions and fitting data

Track applications and fitting dimensions LTE, EPU, LPU

Overall length operators for fitting with Z, N, L tracks

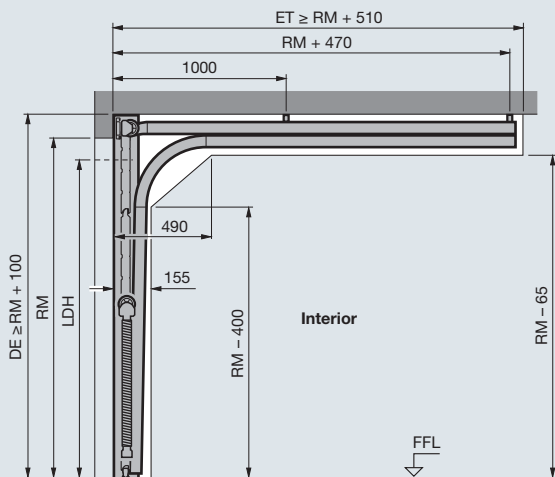
	Z	N	L
Doors with operator			
Door height up to	2125 (K)	3200	3200
	2250 (K)		3200
	2375 (M)	3450	3450
	2500 (M)		3450
	3000 (L)	4125	4125

Horizontal view Z, N, L tracks

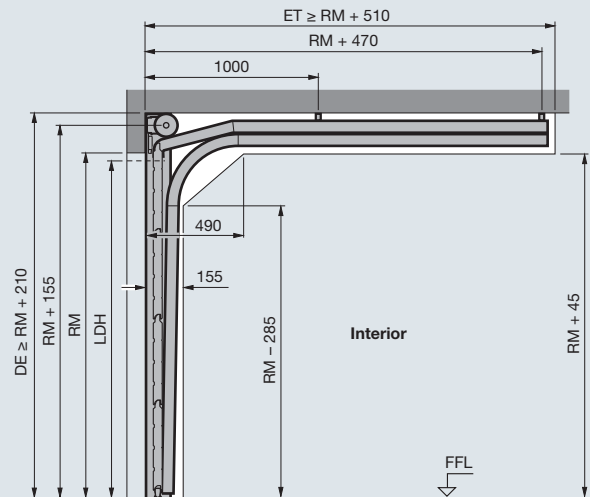


Vertical view

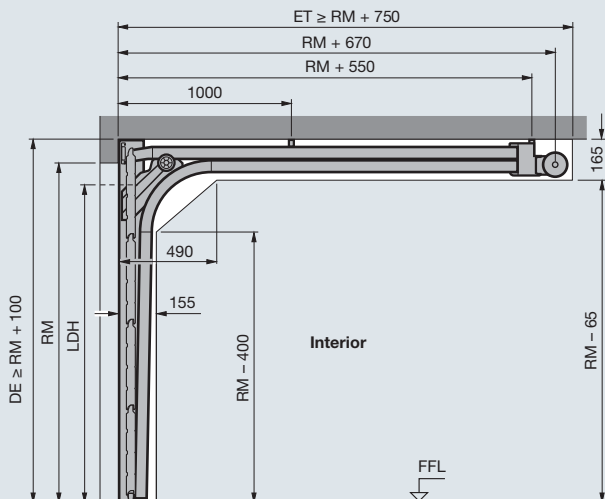
Z tracks



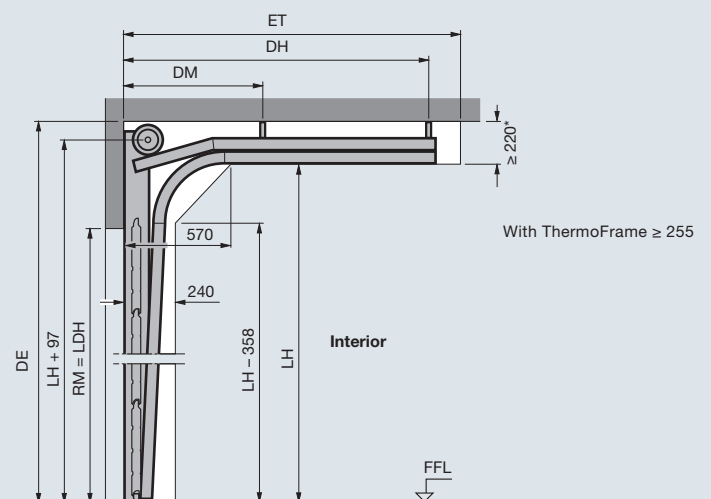
N tracks



L tracks



H tracks

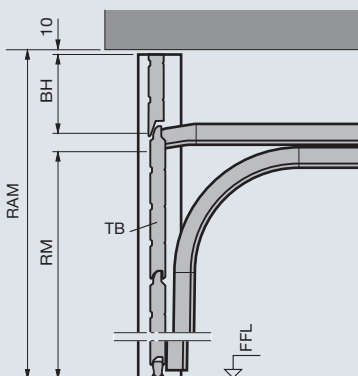


Overall length operators for fitting with BZ, BL tracks

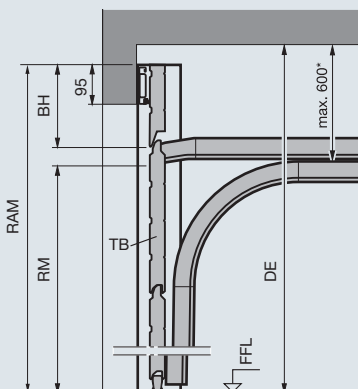
	BZ	BL	
Doors with operator			
Door height up to	2125 (K)	3272	3272
	2375 (M)	3522	3522
	3000 (L)	4197	4197

Vertical view

Clearance for lintel fitting BZ, BI track application without lintel



Clearance for lintel fitting BZ, BI tracks with lintel



Dimensions in mm

Explanation of dimensions

Drive booms

- K Short boom
- M Medium boom
- L Long boom

Track applications

- Z Tension spring track application
- N Normal track application
- L Low headroom track application
- H High-lift track application
If you are interested in this track version for high-lift doors, contact your Hörmann specialist dealer.

- BZ Tension spring track application with flush-fitting panels
- BL Low-lintel track with flush-fitting panels

Ordering size

- LZ Clear frame dimensions
- RM Grid height
- RAM Overall frame dimension (of flush-fitting panels)
Min. = RM + 240 mm
Max. = RM + 600 mm

- DE Ceiling height

N tracks

- Manual operation = RM + 210 mm
- with operator = RM + 210 mm
- with operator and ThermoFrame = RM + 255 mm

Z/L track application

- Manual operation = RM + 100 mm
- with operator = RM + 115 mm
- with operator and ThermoFrame = RM + 145 mm

- LDH Clear passage height

N tracks

- * Manual operation = RM - 50 mm
- with operator = RM

Z/BZ track application

- Manual operation = RM - 80 mm
- with operator = RM - 30 mm

L/BL tracks

- Manual operation = RM - 100 mm
- with operator (LZ < 3000) = RM - 30 mm
- with operator (LZ > 3000) = RM - 80 mm

- GIM Inside garage dimension
- ET Distance back
- TB Door leaf
- BH Fascia height

Note

Before fitting a sectional door, the structural openings must be finished and the floors be laid and level. The clearance required for fitting the door must be free of supply lines, heater fans, etc.

For further information, please see the fitting data or contact your Hörmann partner.

Dimensions and fitting data

LPU with wicket door with trip-free threshold

Size range doors with wicket doors

Wicket doors clear passage height

LPU ribbed doors with wicket doors

3000									
2875	○	○	○	○	○	○	○	○	○
2750									
2625	○	○	○	○	○	○	○	○	○
2500									
2375									
2250									
2205									
2125									
2080									
2000									
1955									
1875									
	2250	2375	2500	2750	3000	3250	3500	3750	4000

Door width (LZ)

Wicket doors with ribbing

1955
1871
2155
2055
1955
1855
2123
2075
1999
1955
1875
1827
1747

LPU panelled doors with wicket doors

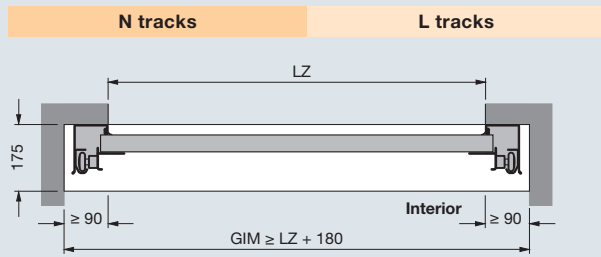
3000									
2875	○	○	○	○	○	○	○	○	○
2750	○	○	○	○	○	○	○	○	○
2625	○	○	○	○	○	○	○	○	○
2500									
2375									
2250									
2205	○	○	○	○	○	○	○	○	○
2125									
2080	○	○	○	○	○	○	○	○	○
2000									
1955	○	○	○	○	○	○	○	○	○
1875									
	2250	2500	2750	3000	3250	3500	3750	4000	

Door width (LZ)

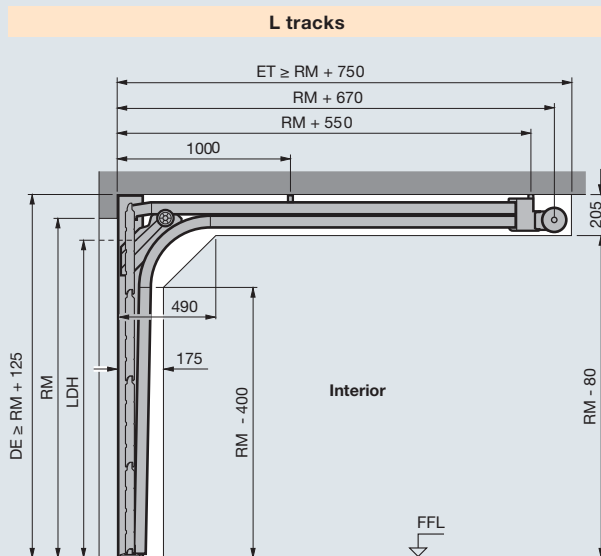
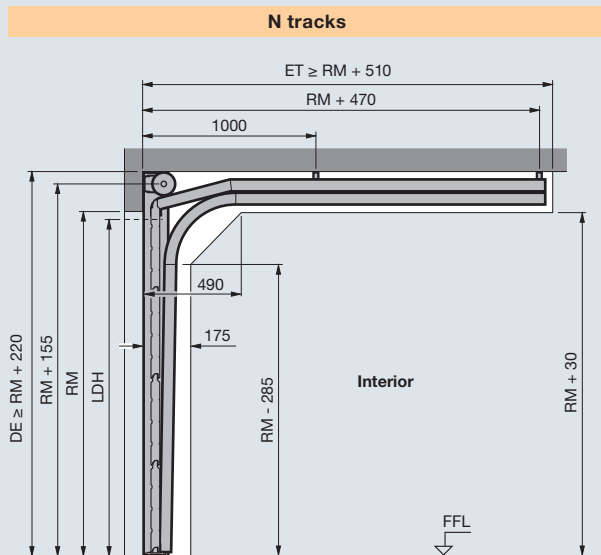
Wicket doors Panels, ribbing with glazing

1955
1871
2155
2055
1955
1855
2203
2155
2079
2035
1955
1907
1827

Horizontal view



Vertical view



Explanation of dimensions

Track applications
 N Normal track application
 L Low headroom track application

Ordering size
 LZ Clear frame dimensions
 RM Grid height
 ○ Not possible for Decograin and Micrograin

DE Ceiling height

N tracks
 Manual operation = $RM + 220$ mm
 with operator = $RM + 235$ mm
 with operator and ThermoFrame = $RM + 255$ mm

Z tracks
 Manual operation = $RM + 125$ mm
 with operator = $RM + 125$ mm
 with operator and ThermoFrame = $RM + 145$ mm

LDH Clear passage height

N tracks
 Manual operation = $RM - 160$ mm
 with operator = $RM - 100$ mm

Z tracks
 Manual operation = $RM - 160$ mm
 with operator = $RM - 160$ mm

GIM Inside garage dimension
 ET Distance back

Note
 The opening height must not be less than the ordering size of the garage door (RM), otherwise the wicket door will not open.

Fitting with ThermoFrame

- * When fitting with ThermoFrame
 $LZ = LDB - 12$ mm
 When fitting with ThermoFrame and frame covering
 $LDB = LZ - 15$ mm
- ** When fitting with ThermoFrame and operator
 Track application N + 20 mm
 Track application L + 20 mm

Dimensions and fitting data

Steel side doors

Standard sizes, steel side doors

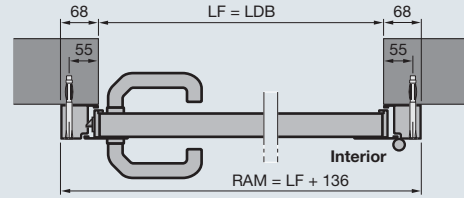
Ordering size	Structural opening	Lever height		
		P1	P2	P3
Block frame, fitting behind the opening (ordering size = overall frame dimension) P1 (only opening inwards) and P2				
990 x 2058	855 - 875 x 1990 - 2000	955	1050	
990 x 2183	855 - 875 x 2115 - 2125	1010	1050	
1115 x 2058	980 - 1000 x 1990 - 2000	955	1050	
1115 x 2183	980 - 1000 x 2115 - 2125	1010	1050	

Block frame, fitting in the opening (ordering size = overall frame dimension) P2 (only S, M, L ribbed)				
855 x 1990	875 x 2000		1050	
855 x 2115	875 x 2125		1050	
980 x 1990	1000 x 2000		1050	
980 x 2115	1000 x 2125		1050	

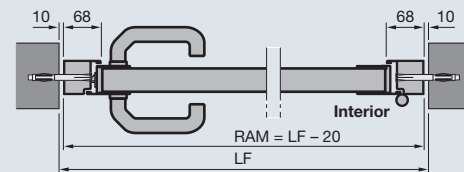
Corner frame, internal fitting (ordering size = nominal size) P1 and P2 (only S, M, L ribbed)				
875 x 2000		955	1050	
875 x 2125		1010	1050	
1000 x 2000		955	1050	
1000 x 2125		1010	1050	

Corner frame, external fitting (ordering size = nominal size) P2 (only S, M, L ribbed) and P3				
875 x 2000			1050	955
875 x 2125			1050	1010
1000 x 2000			1050	955
1000 x 2125			1050	1010

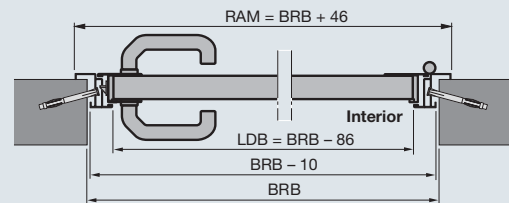
Horizontal view



Side door with aluminium block frame, profile type 1 fitting behind the opening

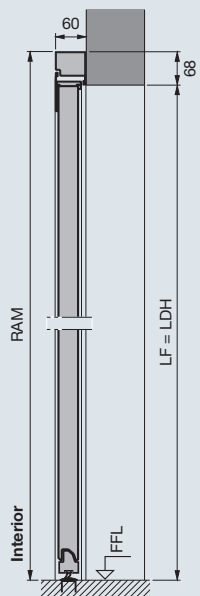


Side door with aluminium block frame, profile type 2 fitting behind the opening

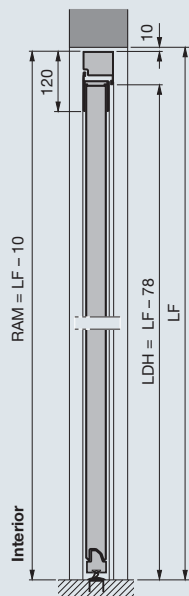


Side door with aluminium corner frame, profile type 3 external fitting

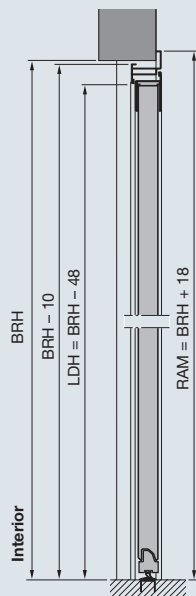
Vertical view



Side door with aluminium block frame, profile type 2 fitting behind the opening



Side door with aluminium block frame, profile type 2 fitting in the opening



Side door with aluminium corner frame, profile type 2 external fitting

Dimensions and fitting data

Solid timber side doors

Standard sizes, solid timber side doors

Ordering size	Structural opening	Lever height
Fitting behind the opening (ordering size = overall frame dimension) (S, M, L-ribbed, panelled)		
1005 × 2190	855 – 875 × 2115 – 2125	1050
1130 × 2190	980 – 1000 × 2115 – 2125	1050
Fitting behind the opening (style 401, 403, 404, 405)		
1130 × 2190	980 – 1000 × 2115 – 2125	1050

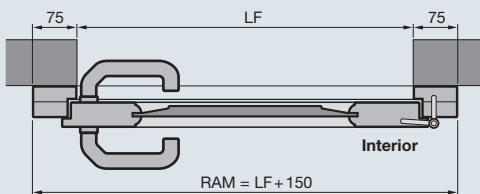
Explanation of dimensions

- P1 Profile type 1 (narrow surround)
- P2 Profile type 2 (broad surround)
- P3 Profile type 3 (narrow surround)

- LDH Clear passage height
- LDB Clear passage width
- RAM Overall frame dimension
- BRM Nominal size

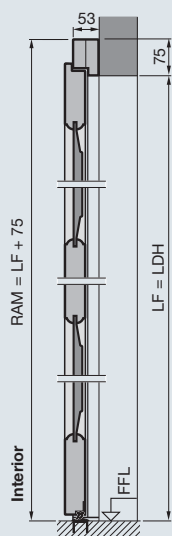
Special sizes on request.

Horizontal view



Solid timber side doors
Fitting behind the opening

Vertical view



Solid timber side doors
Fitting behind the opening

For further information, please see the fitting data or contact your Hörmann partner.

