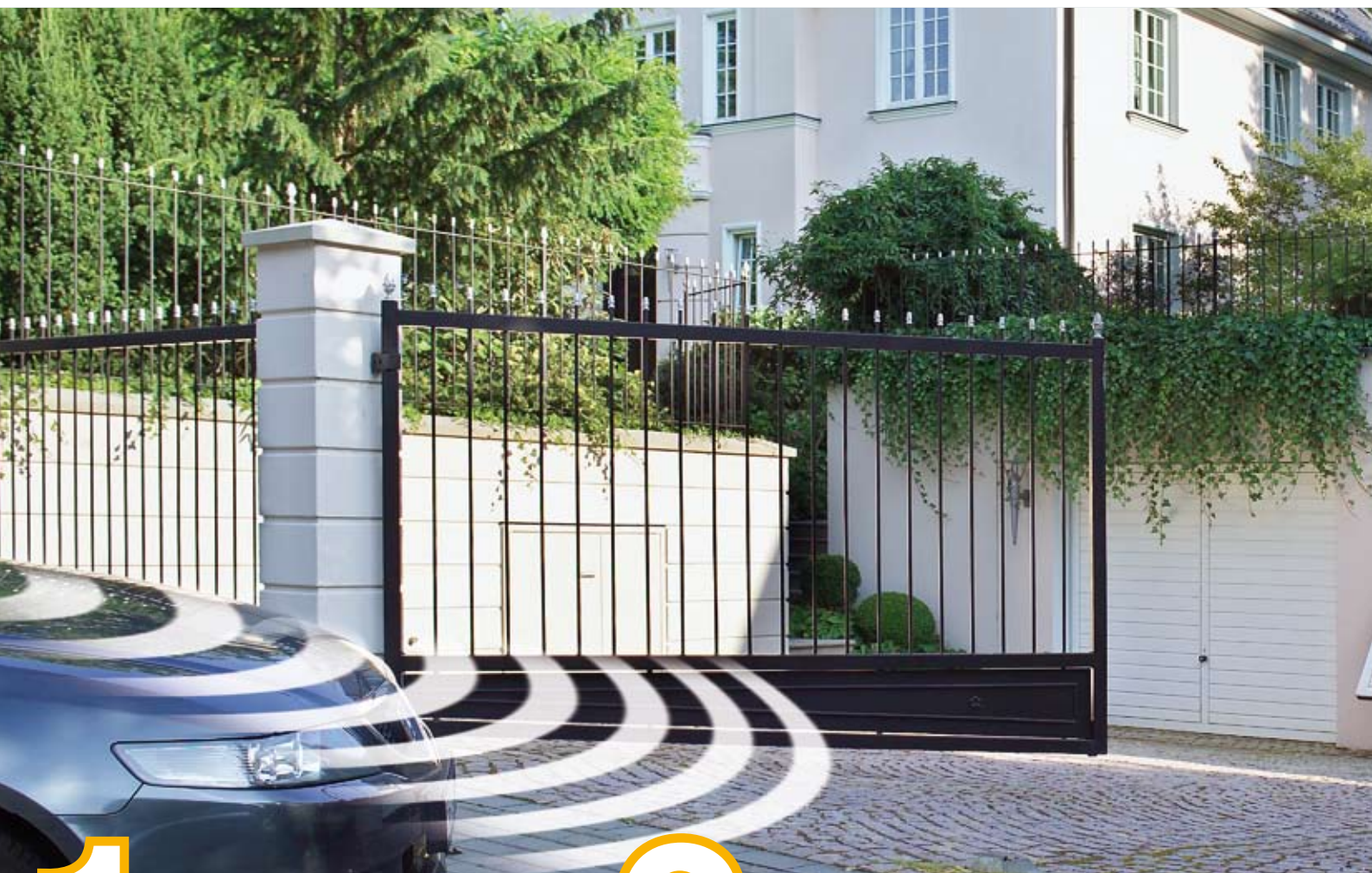


Three good reasons to try Hörmann

Entrance gate operator quality features



1

Safe

Automatic cut-out

Hörmann entrance gate operators work reliably during all opening and closing phases. The gate stops immediately if it encounters an obstacle. Non-contact photocells to detect persons or objects provide additional safety. They can be easily integrated in our elegant safety key switch post (see p. 37) and placed near the entrance to monitor the area of travel of your hinged or sliding gate.

2

Reliable

Soft start and soft stop

Hörmann entrance gate operators open quietly and reliably. The gate opens without a jolt and gently brakes before fully closing. This protects the gate and operator and does not disturb your neighbours.



Tested safety

Hörmann entrance gate operators work safely during all opening and closing phases. The operating forces for common door sizes and fitting situations have been tested and certified by TÜV in accordance with DIN EN 13241-1.



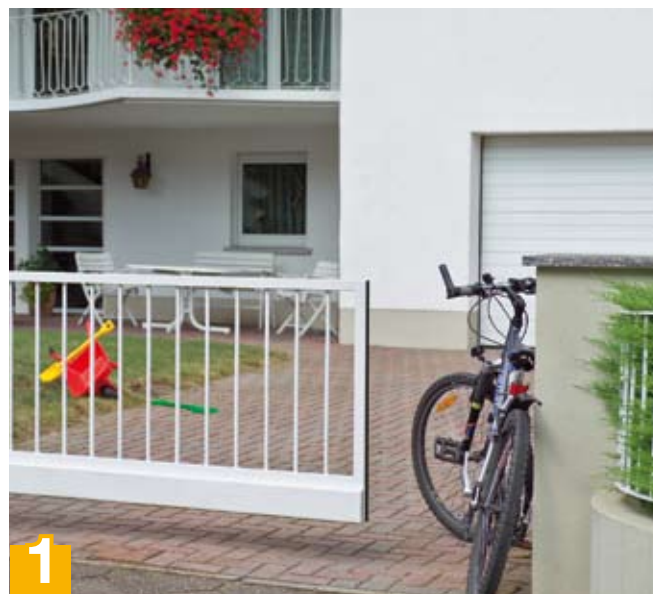
3

Robust

Top quality

High-quality entrance gate operators from Hörmann are decidedly robust, ensuring that they can remain in good mechanical condition over the long run. Weather-resistant and lasting material ensures long-term function.

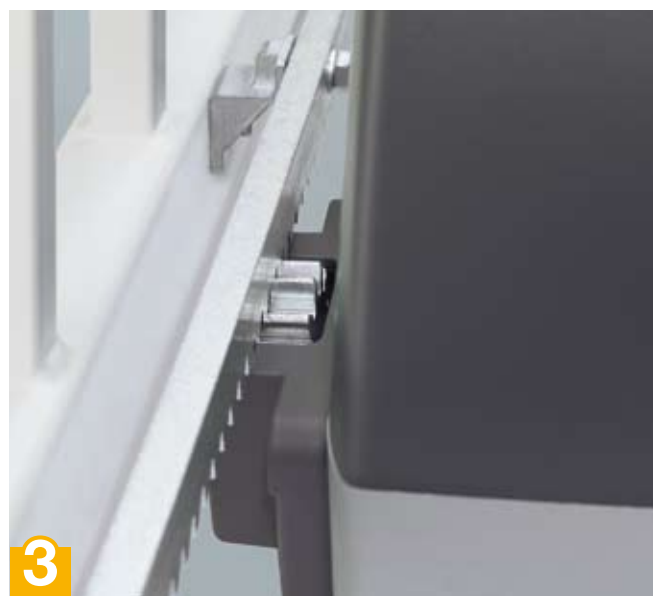
Our RotaMatic version also comes with integral heating for use in especially cold regions.



1



2



3

Hinged gate operator RotaMatic

A streamlined operator with an elegant appearance



As standard with
a black HS 4 BS
hand transmitter

Thanks to its modern, slimline design, Hörmann's RotaMatic hinged gate operator is the perfect partner for your beautiful hinged gate. Just like the design, the functional and safety features are also exemplary. You can enjoy the convenience of an operator even if there is no direct connection to the mains supply with the RotaMatic Akku.



RotaMatic and RotaMatic P / PL hinged gate operators work with the extremely secure and certified BiSecur radio system. Querying the door position is not possible.



RotaMatic Akku

For entrance gates without a power connection.

Its battery is easy to transport and can be charged in a matter of hours, e.g. overnight.



Solar module (optional)

An optional solar module makes the system completely independent of the mains supply.

Delivery includes fitting material, 10 m connecting lead and charge controller. Dimensions: 330 x 580 mm



Sound-absorbing seal (optional)

The operating forces for many gate sizes and fitting situations using RotaMatic operators with optional sound-absorbing seal have been tested and certified by TÜV.



Electric lock (optional)

Hinged gates are subjected to enormous forces under high wind loads. An additional electric lock secures it from being blown open.



SK version (optional)

The RotaMatic SK operator provides you with more safety when driving in and out of your garage. A one-way photocell and yellow warning light are included.

RotaMatic

Gate leaf width: max. 2500 mm
Gate leaf height: max. 2000 mm
Weight: max. 220 kg

RotaMatic P

Gate leaf width: max. 2500 mm
Gate leaf height: max. 2000 mm
Weight: max. 400 kg

RotaMatic PL

Gate leaf width: max. 4000 mm
Gate leaf height: max. 2000 mm
Weight: max. 400 kg

RotaMatic Akku

With 868 MHz fixed code
Gate leaf width: max. 2500 mm
Gate leaf height: max. 2000 mm
Weight: max. 120 kg

Battery

Integrated in a lockable control cabinet
Operation period: approx. 30 days*
Charging time: 5 – 10 hours**
Weight: 8.8 kg
Dimensions: 320 x 220 x 115 mm

* Based on an average of 4 door cycles per day and an ambient temperature of 20° Celsius

** Depending on the charging state

Optional accessories

- Electric lock (recommended from a leaf width of 1500 mm)
- Sound-absorbing seal
- HNA emergency battery
- HSK 3 lockable emergency release
- Integral heating for colder regions (down to -35°C)
- Track variants for special fitting situations.

DTU 250 underground hinged gate operator

An almost invisible operator for elegant gates



DTU 250

Gate leaf width: max. 2500 mm

Gate leaf height: max. 2500 mm

Weight: max. 500 kg

A radio unit must be ordered separately for this operator. Technical clarification is also required. Please contact your Hörmann dealer.

The underground operator DTU 250 is an almost invisible and space-saving solution for use in private areas. We recommend floor fitting to create especially elegant gates.



Hinged gate operator DTH 700

An especially robust and powerful operator



DTH 700

Gate leaf weight: max. 7000 mm

Gate leaf height: max. 2500 mm

Weight: max. 1000 kg

A radio unit must be ordered separately for this operator. Technical clarification is also required. Please contact your Hörmann dealer.

Hörmann's DTH 700 operator is especially robust and powerful. For use in private and commercial applications.

Sliding gate operator LineaMatic

A compact and reliable operator



Highlights of the sliding gate operator LineaMatic include its compact, height-adjustable housing made of zinc diecast and glass-fibre reinforced plastic, as well as its reliable operator electronics.



The LineaMatic sliding gate operator works with the extremely secure and certified BiSecur radio system. Querying the door position is not possible.



SK version (optional)

The scope of delivery for the complete LineaMatic SK system includes a one-way photocell and yellow LED warning light that can be fitted to a wall or post.

LineaMatic

Gate leaf width: max. 6000 mm
Gate leaf height: max. 2000 mm
Weight: max. 300 kg
Self-supporting 250 kg

LineaMatic P

Gate leaf width: max. 8000 mm
Gate leaf height: max. 2000 mm
Weight: max. 500 kg
Self-supporting 400 kg

LineaMatic H

Gate leaf width: max. 10000 mm
Gate leaf height: max. 3000 mm
Weight: max. 800 kg
Self-supporting 600 kg

The radio system must be ordered separately for this operator. Technical clarification is also required. Please contact your Hörmann dealer.



As standard with a black HS 4 BS hand transmitter

Sliding gate operator STA 400

For large and heavy doors



STA 400

Gate leaf width: max. 17000 mm

Gate leaf height: max. 3000 mm

Weight: max. 2500 kg

Self-supporting 1800 kg

The radio system must be ordered separately for this operator. Technical clarification is also required. Please contact your Hörmann dealer.

The sliding gate operator STA 400 is specifically designed for large gates. The matching control B460 FU ensures precise gate travel and smooth stopping.

Innovative technology in an elegant package

The new BiSecur hand transmitters





reddot design award
honourable mention 2011



HS 5 BS
hand transmitter // NEW
4 button functions
plus inquiry button available
in black and white; full scope
of function only with SupraMatic
and ProMatic operators.



HSE 2 BS
hand transmitter // NEW
2 button functions
incl. key ring, available in black
and white



HS 4 BS
hand transmitter // NEW
4 button functions
only available in black



HS 1 BS
hand transmitter // NEW
1 button function
only available in black

Illustration on left: Enlarged illustration of the HS 5 BS hand transmitter
in white with an optional hand transmitter station

Exclusive design

Select between a black or white*
glossy surface in a piano lacquer look.

Interference-resistant radio signal

with a stable range.

128-bit encryption

Profit from the same high security level
as in online banking.

Simple transmission of coding

Simple copying from hand transmitter
to hand transmitter.

Impact-resistant

The hand transmitter is very
sturdy thanks to a permanently
installed antenna.

Especially long battery service life

under normal conditions, with common
AAA batteries.**

Backwards compatible to the radio frequency 868 MHz

All Hörmann operators with
a radio frequency of 868 MHz
(year of manufacture 2005 – 2011)
can still be used with the new
BiSecur control elements.***

* Not available for HS 4 BS and HS 1 BS

** Only for HS 5 BS, HS 4 BS and HS 1 BS

***Querying the door position
is not possible here.

Mobile radio accessories for every situation



Operate your entrance gate or garage door with a mobile radio transmitter that is as easy to use as your TV remote control. You decide whether you would like a hand transmitter that remains in the vehicle or one to keep on your key ring.



With Hörmann, everything fits together. With just one hand transmitter you can operate your garage door, as well as your Hörmann entrance gate operator.



HSD 2-A BS hand transmitter

Aluminium look,
2 button functions,
can also be used as a key ring

HSD 2-C BS

High-gloss chrome,
2 button functions,
can also be used as a key ring



HSP 4 BS hand transmitter

4 button functions,
with button lock-out,
incl. key ring



HSZ 1 BS hand transmitter

One button function,
for insertion
in vehicle cigarette lighter

HSZ 2 BS

2 button functions,
for insertion
in vehicle cigarette lighter



HF 22 BS radio set

Consisting of an HSZ 2 BS hand transmitter and HET 2 BS receiver

You can still use the practical HSZ 2 BS hand transmitter even if you do not have a Hörmann operator or if your operator does not work with the 868 MHz radio frequency. The HF 22 BS radio set easily converts your operator, allowing you to use all the advantages of the HSZ 2 BS.



HER 1 receiver

A receiver (1, 2 or 4-channel) is needed to operate an additional external light or a garage door (of other make) using Hörmann radio accessories.



HSZ hand transmitter

The inexpensive alternative to expensive homelink systems: integrated in an inconspicuous spot in your car. Inserted in the vehicle's cigarette lighter, the hand transmitter HSZ is easily accessible and convenient to operate.



Simple code transmission

Your individual hand transmitter coding can be easily transmitted to another hand transmitter.

Stationary radio accessories

For outside and inside



You decide how to automatically operate your garage door or entrance gate: using a code or transponder technology. The classic way with a key or via a distinctive fingerprint – the choice is yours!



FCT 3 BS
radio code switch // NEW
 For 3 functions with illuminated buttons



FCT 10 BS
radio code switch // NEW
 For 10 functions with illuminated buttons and protective cover



FFL 12 BS
radio finger-scan // NEW
 For 2 functions and up to 12 finger prints



FIT 2 radio internal push button
 For 2 operators or operator functions



Recessed radio transmitter
 For two functions, in conjunction with a commercially available recessed switch. For central installation in a hallway / living room within sight of the garage door.

HSU 2: for all commercially available switch boxes with 55 mm Ø connection to the house mains supply

FUS 2: incl. 9 V battery / connection option for voltages up to 24 V (not shown).

With 868 MHz fixed code



Radio code switch

Open your garage easily by entering a personal code. No hand transmitter required!

Stationary, convenient accessories for outside



CTR 1d / CTR 3d code switch
For 1 or 3 functions with hinged protective cover.



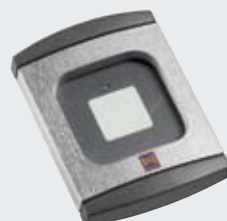
CTR 1b / CTR 3b code switch
For 1 or 3 functions, with illuminated buttons and weather-resistant membrane keypad.



CTV 1 / CTV 3 code switch
For 1 or 3 functions, especially robust, protected against vandalism.



FL 12 / FL 100 finger-scan
For 2 functions, to open the garage door via a fingerprint. Can store 12 or 100 fingerprints, respectively.



TTR 100 / TTR 1000 transponder key switch
For 1 function with 2 keys (more on request) for up to 12 / 100 / 1000 keys.

**IT 1 internal push button**

With impulse button to open and close the door (for ProMatic, SupraMatic and ProMatic Akku).

**IT 1b internal push button**

You can conveniently open the door by pushing the large, illuminated button on the IT 1b (for ProMatic and SupraMatic).

**IT 3b internal push button**

Along with a large illuminated button for conveniently opening the door, the internal push button IT 3b has two additional buttons. These can be used to control the operator light and completely switch off the radio-control system for the operator, e.g. while you are away on holiday (for SupraMatic).

**PB 3 internal push button**

With illuminated impulse button to open or close the door, button for garage light and button to switch off the radio system (for SupraMatic).

**STUP 40 / STAP 40 key switch**

In recessed and surface-mounted versions, including 3 keys.

**ESU 40 / ESA 40 key switch**

In recessed and surface-mounted versions, including 3 keys.

**Key switch post STS 1**

The key switch post STS is available with one or two adapters for command units (must be ordered separately). You can install a transponder key switch TTR 100 and TTR 1000, radio code switch FCT 10b or code switch CTR 1 or 3. The post is stove-enamelled in White aluminium (RAL 9006), the cover and base in Slate grey (RAL 7015). Protected for outdoor use in accordance with IP 44.

Height: 1250 mm,
base diameter: 300 mm.



The illustration shows a key switch post with fitted STUP 40 key switch (optional).

Everything for emergencies

Innovative ideas for comfort and security



Hörmann products are always a bit more sophisticated. Many useful details make it easier to operate your door with increased security. Photocells effectively secure your garage door, families with children especially appreciate this level of safety. Thanks to the option of an emergency battery, you can reliably open your door even after a power failure.



Emergency battery HNA for garage door operators

With this emergency power supply, you can bypass network power failures for up to 18 hours and max. 5 door cycles. The emergency battery recharges itself during normal operation. Emergency batteries can be added to all current Hörmann garage door operators.



HNA Outdoor emergency battery for entrance gate operators

The RotaMatic hinged gate operator and LineaMatic sliding gate operators can also be equipped with an emergency power supply to bridge power failures. It can be universally fitted to the wall or floor.



Additional emergency release

For garages without a second entrance, we offer you the following options to open the door from the outside in case of emergency (e.g. power failure):

For sectional doors without a handle

Emergency release lock with round cylinder (cannot be integrated in the home locking system) or emergency release handle in a choice of 8 styles, including lock (can be integrated in the home locking system).

For up-and-over doors and sectional doors with a handle
Emergency release (not shown)

Photocell

Hörmann's reliable one-way photocell systems immediately stop the gate if the light beam is interrupted. They can be directly fitted to the door or integrated in STL key switch posts.

Warning light

A warning light on your entrance gate provides you with extra security day and night, as each gate cycle is accompanied by a visual signal. As standard with RotaMatic SK and LineaMatic SK incl. one-way photocell.



Light and safety accessories

Technology for entrance gates



Hörmann key switch post sets made of weather-resistant, anodised aluminium offer you more light and security. The posts can be individually equipped using variable inserts for photocells and LED light modules that match the Slate grey (RAL 7015) plastic covers.

More light and increased security for your entrance area

SLS light key switch post

The light key switch post SLS with an LED light module is available in heights of 550 mm and 1080 mm. The 1080 mm key switch post is also available with two LED light modules to improve the lighting in your entrance area.

SLS-K
with LED light module
Height 550 mm

SLS-L
with double LED light module
Height 1080 mm

SLS-L
with LED light module and design screen
Height 1080 mm



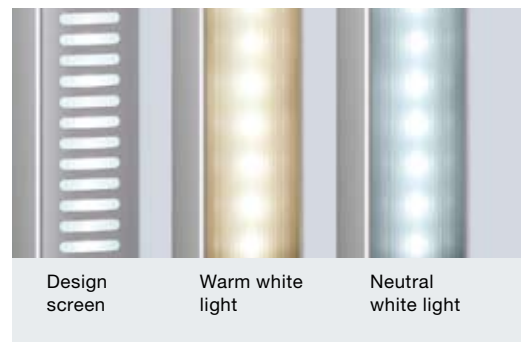
Safety key switch post STL

The 550-mm-high basic version is equipped with a photocell holder. The key switch posts can be optionally supplied with two photocells or a photocell and LED light module.

STL
with optional photocell

STL
with two optional photocells

STL
with optional photocell and LED light module



Design
screen

Warm white
light

Neutral
white light

LED light modules

You can choose between a warm or neutral white light in the light modules. The optional aluminium design screen creates a special accent.



LED lighting for doors




An LED light strip with neutral white light puts your door and side door in the right light. The plug-in system can be shortened individually, making it a perfect fit for any door width. You can arrange the LED light strip at the lintel (top illustration) or bottom edge of the door leaf,

LED spacing: 125 mm.

Dimensions and fitting data

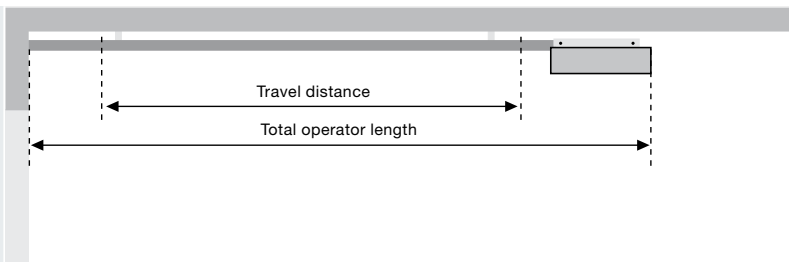
SupraMatic, ProMatic

● = Standard

		 BiSecur SupraMatic E	 BiSecur SupraMatic P	 BiSecur ProMatic	ProMatic Akku
Product description					
No. of parking spaces		● / max. 12	● / max. 25	● / max. 6	● / max. 2
Door cycles (Open / Close) per day		Max. 25	Max. 50	Max. 12	Max. 4
Suitable for:	Commercial areas	–	–	–	–
	Doors with wicket doors / timber doors	– / ●	●* / ●	– / ●	– / –
				Timber doors with max. 3.5 m door width and 9 m ² door leaf surface	
	Door width up to max.	5500	6000 **	5000	3000
	Door leaf surface up to max.	13.75 m ²	15.00 m ²	11 m ²	8 m ²
Operator data					
Motor		24 V DC gear drive			
Mains voltage		230 V – 240 V AC		230 V – 240 V AC	See the fitting data
Power input		0.2 kW		0.2 kW	
Pull and push force		650 N	750 N	600 N	350 N
Peak force		800 N	1000 N	750 N	400 N
Opening speed		Approx. 22 cm/s	Approx. 22 cm/s	Approx. 14 cm/s	Approx. 13 cm/s
Standby		< 1 watt	< 1 watt	< 7 watts	< 0.1 watt
Housing		Aluminium and plastic, galvanized steel base plate		Plastic, galvanized steel base plate	
Temperature range		–20 °C to +60 °C			–15 °C to +45 °C
Protection category		Only for dry rooms			
Control electronics					
Impulse control		●	●	●	●
Power limit		●	●	●	●
Adjustable soft start and soft stop		●	●	●	●
Display		Double 7-segment display		LED	LED
Adjustable operator light and partial opening		●	●	– / ●	–
Adjustable automatic timed closing		●	●	●	–
Hold-open phase after activation		30 – 180 s	30 – 180 s	30 s	–
Equipment					
Hand transmitter (868 MHz)		HS 5 BS 5-button hand transmitter (black)		2-button HSE 2 BS micro hand transmitter (black)	HS 4 BS
Integral receiver (868 MHz)		Bi-directional 3-channel BS receiver		Bi-directional BS receiver	Fixed code receiver
Control buttons		Next to the display on the operator cover		Control buttons in the operator cover	
Photocell		–	● / EL 101	–	–
High-speed opening		●	●	–	–
Quick release operated from inside		●	●	●	●
Connecting lead with Euro plug		●	●	●	–
Adjustable, integrated garage light/pre-set		● / 1 minute		● / with 2-minute light	● / with 30 s light
Anti-lift kit for break-in resistance		●	●	●	●
Universal installation bracket for up-and-over doors and sectional doors		●	●	●	●

* A photocell is required for doors with wicket doors

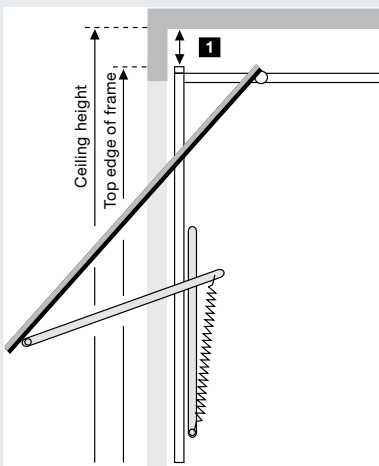
** > 5500 mm only in conjunction with an FS 60 operator boom and fitting bracket



Type of boom	Overall length	Travel distance
K Short boom	3200	2475
M Medium boom	3450	2725
L Long boom	4125	3400

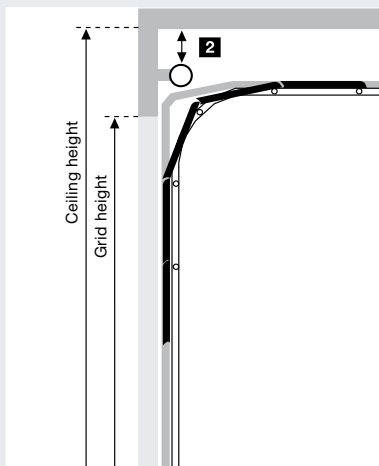
Boom applications for Hörmann garage doors	Height
K Up-and-over garage doors (N80 and DF 98) Sectional garage doors with track application N Sectional garage doors with track application Z, L, H	Up to 2500 Up to 2250 Up to 2125
M Up-and-over garage doors (N80 and DF 98) Sectional garage doors with track application N Sectional garage doors with track application Z, L, H	Up to 2750 Up to 2500 Up to 2375
L Sectional garage doors with track application N, Z, L, H	Up to 3000

Note the travel distance for doors from other manufacturers!



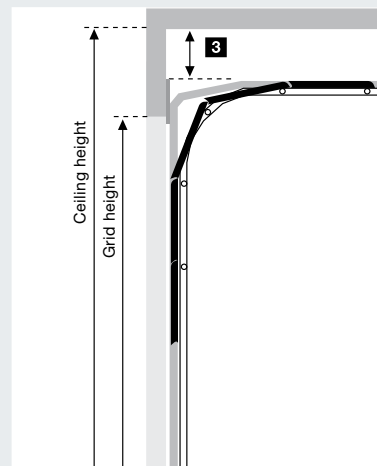
1 Clearance for up-and-over garage doors

N80	0
N80, style 905, style 941 or with timber infill	15
DF 98, DF 95, DF 80	65



2 Clearance for sectional garage doors

With track application N ceiling height = grid height + 210	0
With track application H	0



3 Clearance for sectional garage doors




With track application Z ceiling height = grid height + 115	15
With track application L ceiling height = grid height + 115	15

Clearance for doors from other manufacturers

Between the highest point of door travel and the ceiling	30
--	----

Dimensions and fitting data

RotaMatic hinged gate operators

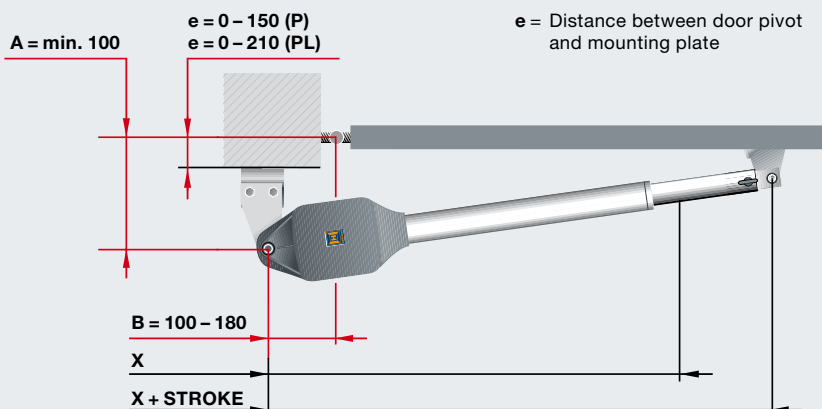
		 RotaMatic	 RotaMatic P	 RotaMatic PL	RotaMatic Akku
Product description					
No. of parking spaces		● / max. 6	● / max. 12	● / max. 12	● / max. 2
Gate cycles (Open / Close) per day		Max. 12	Max. 25	Max. 25	Max. 5
Suitable for:	Commercial areas	–	●	●	–
	Door height up to max.	2000 mm	2000 mm	2000 mm	2000 mm
	Max. leaf width	1000 – 2500 mm	1000 – 2500 mm	1500 – 4000 mm	1000 – 2500 mm
	Leaf weight up to max.	220 kg	400 kg	400 kg	120 kg
Operator data	Motor	24 V DC gear drive			
	Mains voltage	230 V – 240 V AC, 50 Hz			See the fitting data
	Pull and push force	2000 N	2500 N	2500 N	1000 N
	Peak force	2200 N	2700 N	2700 N	1100 N
	Standby	< 7 watts			< 0.1 watt
	Housing	Aluminium / weather-resistant, glass-fibre reinforced plastic	Aluminium / zinc diecast / weather-resistant, glass-fibre reinforced plastic	Aluminium / zinc diecast / weather-resistant, glass-fibre reinforced plastic	Aluminium / weather-resistant, glass-fibre reinforced plastic
	Temperature range	–20 °C to +60 °C			–15 °C to +45 °C
	Protection category	IP 44			
	Protection category (separate control housing)	IP 65	IP 65	IP 65	IP 65
Control electronics	Impulse control	●	●	●	●
	Power limit	●	●	●	●
	Soft start and soft stop	●	●	●	●
	Adjustable automatic timed closing	●	●	●	●
	Number of lockable safety devices	2	2	2	1
	End-of-travel position	Close	Can be set with an integrated limit switch or end stop		
Open		Programmable (i.e. no end stop required!)			
Equipment	Hand transmitter (868 MHz)	4-button hand transmitter HS 4 BS (black)			
	Receiver (868 MHz)	Uni-directional receiver HE 3 BiSecur for the impulse and partial opening functions (status message not possible).			Fixed code receiver for the impulse and partial opening functions (status message not possible).
	Photocell (only in versions 1 SK and 2 SK)	One-way photocell EL 301			–
	Warning light (only in versions 1 SK and 2 SK)	LED warning light SLK, yellow, for floor and wall fitting			
Mains connecting lead		230 V, NYY 3 × 1.5 mm ² (on-site)			
Motor cable		Connecting lead up to 10 m NYY 5 × 1.5 mm ² (on-site)			
Additional connection cable		All cables underground NYY, e.g. 5 × 1.5 mm ²			
Electric lock connecting lead		NYY 3 × 1.5 mm ² (on-site) underground H07RN-F 2 × 1 mm ² on the door leaf			
Lay all cables separately!					



For Hörmann sales partners

The planning program for hinged gate operators

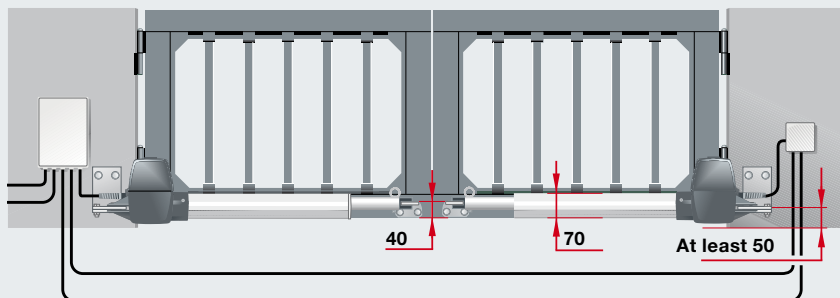
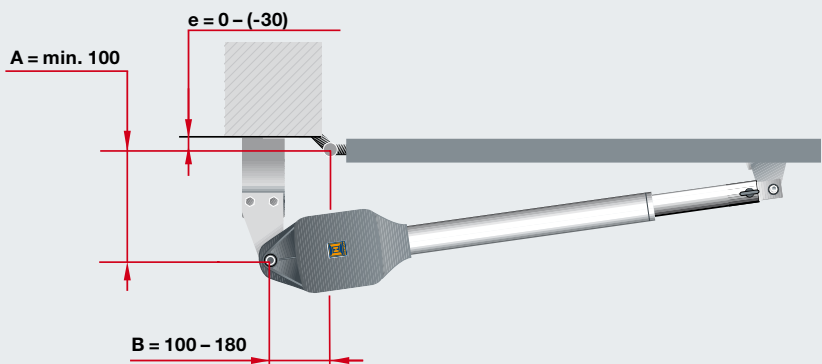
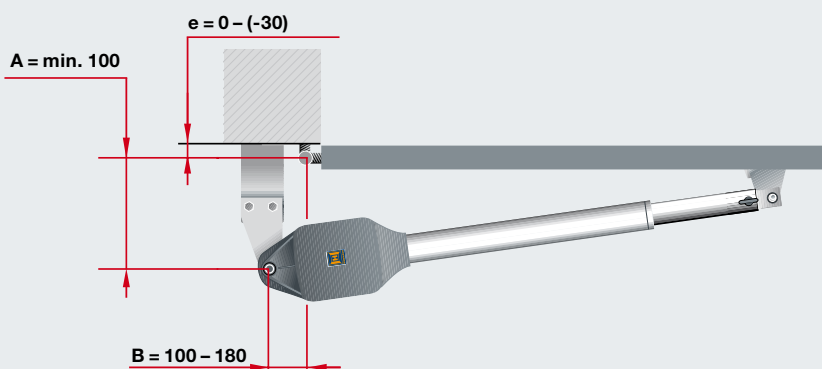
With the planning program, Hörmann supports you in planning and fitting your hinged gate operator.



RotaMatic

Dimensions	x	x + stroke
RotaMatic / RotaMatic P	720	1120
RotaMatic PL	820	1320

To ensure optimum door travel, the maximum difference between the A dimension and the B dimension must be 40 mm.

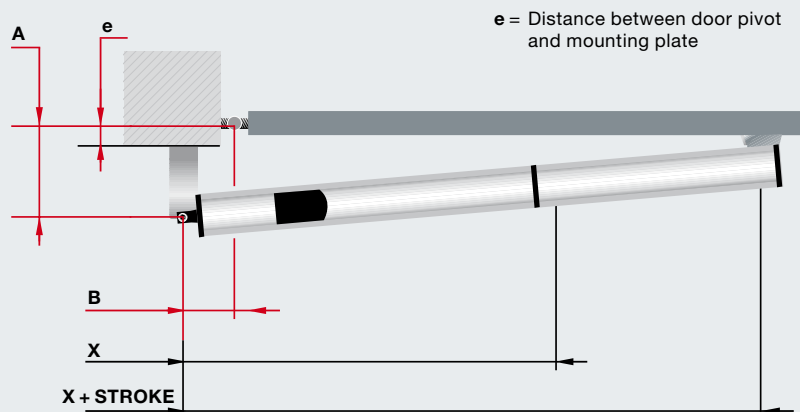


All illustrations and information with standard tracks, additional equipment features possible.

Dimensions and fitting data

DTH 700, DTU 250 hinged gate operators

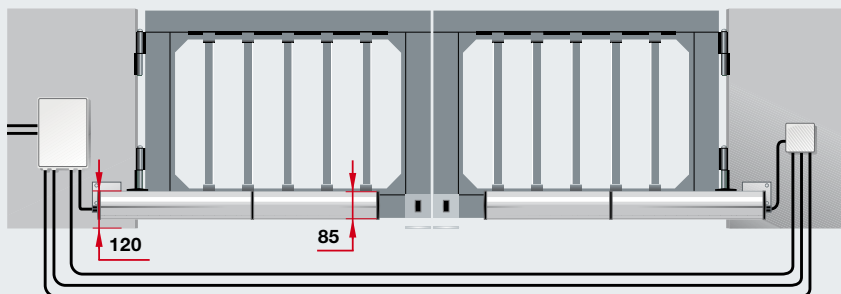
		DTH 700	DTU 250
Product description			
No. of parking spaces		● / max. 12	● / max. 12
Gate cycles (Open / Close) per day		Max. 25	Max. 25
Suitable for:	Commercial areas	●	–
	Door height up to max.	2500 mm	2500 mm
	Max. leaf width	7000 mm	2500 mm
	Leaf weight up to max.	1000 kg	500 kg
Max. opening angle	Standard	–	110°
	With special fitting set	–	140°
Further information		An electric lock and end stops are required!	An electric lock is required for gates with partial infill!
Operator data	Motor	Electro-hydraulic	Electromechanical
	Mains voltage	230 V – 240 V AC, 50 Hz	
	Pull and push force	3000 N	2500 N
	Peak force	3500 N	3000 N
	Standby	< 10 watts	< 10 watts
	Housing	Weather-resistant aluminium housing	Weather-resistant steel pan with stainless steel cover plate
	Temperature range	–20 °C to +60 °C	
	Protection category	IP 55	IP 67
	Control electronics	Protection category (separate control housing)	IP 55
	Display	● / two 7-segment displays	● / two 7-segment displays
	Power limit (adjustable)	●	●
	Soft stop (adjustable)	●	●
	Adjustable automatic timed closing	●	●
Equipment	Hand transmitter (868 MHz)	Without remote control	
	Receiver (868 MHz)		
Mains connecting lead		230 V, NYY 3 × 1.5 mm ² (on-site)	230 V, NYY 3 × 1.5 mm ² (on-site)
Motor cable		230 V, NYY 5 × 1.5 mm ² (on-site)	230 V, NYY 5 × 1.5 mm ² (on-site)
Additional connection cable		All cables underground NYY, e.g. 5 × 1.5 mm ²	All cables underground NYY, e.g. 5 × 1.5 mm ²
Electric lock connecting lead		NYY 3 × 1.5 mm ² underground H07RN-F 2 × 1 mm ² on the door leaf	NYY 3 × 1.5 mm ² underground H07RN-F 2 × 1 mm ² on the door leaf
Lay all cables separately!			



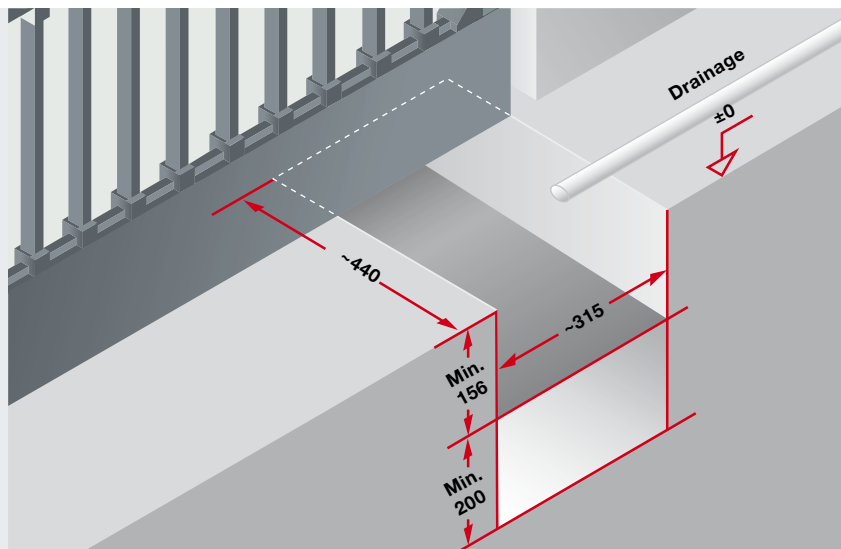
DTH 700

Opening angle	A	B	e
90°	130	130	80
115°	100	120	50
125°	90	120	40

Dimensions	x	x + stroke
	700	960

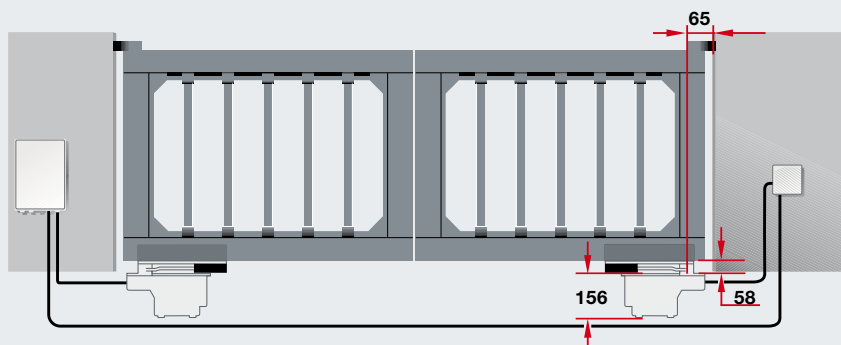


Note: In order to comply with the requirements in DIN EN 13241, we recommend using a closing edge safety device.



DTU 250



Foundation dimensions
Approx. 315 x 440 x 200



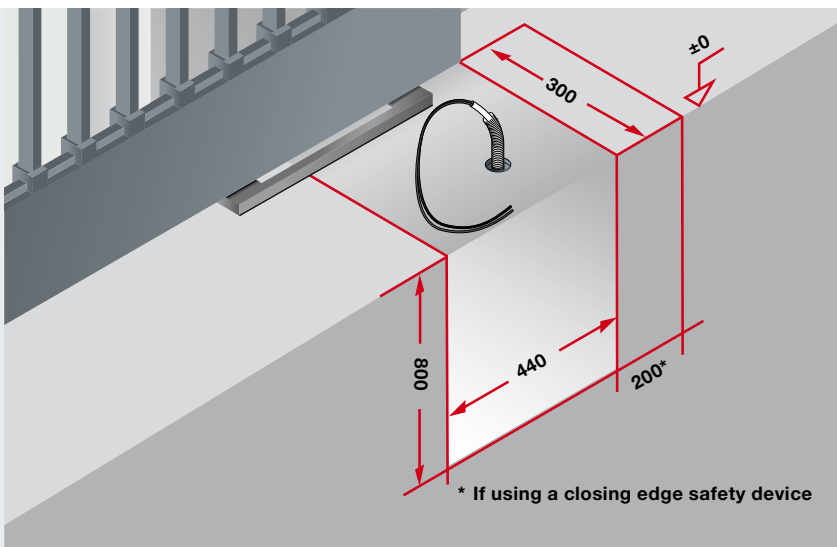
Note: In order to comply with the requirements in DIN EN 13241, we recommend using a closing edge safety device.

Dimensions and fitting data

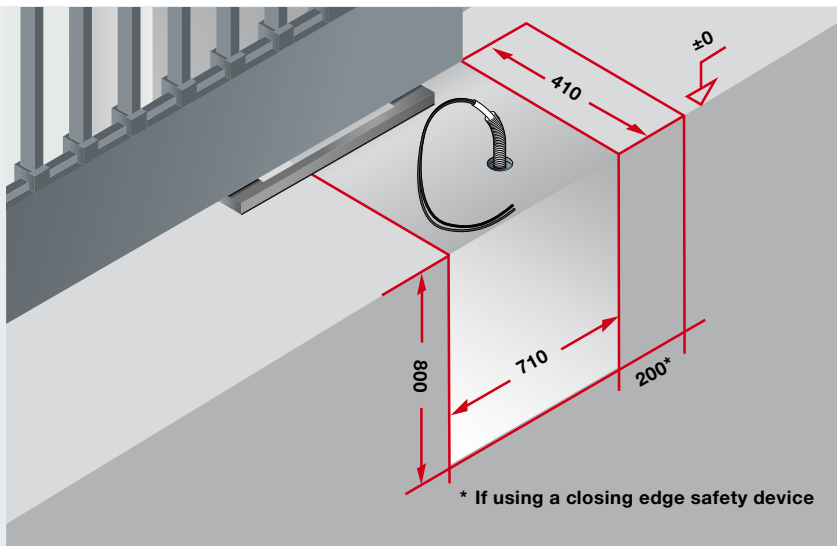
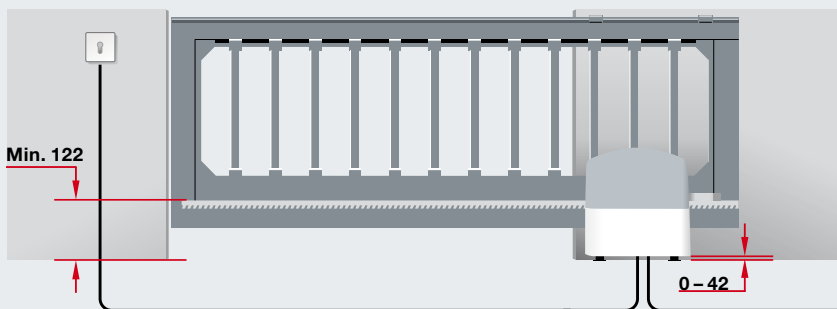
Sliding gate operators LineaMatic, STA 400

		 BiSecur LineaMatic	 BiSecur LineaMatic P	LineaMatic H	STA 400
Product description					
No. of parking spaces		● / max. 6	● / max. 12	● / max. 12	● / > 25
Gate cycles (Open / Close) per day		Max. 12	Max. 25	Max. 25	Max. 50
Suitable for:	Commercial areas	–	–	●	●
	Door height up to max.	2000 mm	2000 mm	2000 mm	3000 mm
	Door width up to max.	6000 mm	8000 mm	10000 mm	17000 mm
	Door weight up max.:				
	For bottom-guided gates	300 kg	500 kg	800 kg	2500 kg
	For self-supporting gates	250 kg	400 kg	600 kg	1800 kg
Operator data	Motor	24 V DC gear drive			1-phase current gear drive
	Mains voltage	230 V – 240 V AC			
	Pull and push force	650 N	1000 N	1200 N	2000 N
	Peak force	800 N	1200 N	1400 N	2300 N
	Standby	< 7 watts			< 7 watts
	Housing	Zinc diecast/weather-resistant plastic			Weather-resistant plastic
	Temperature range	–20 °C to +60 °C			–20 °C to +60 °C
	Protection category	IP 44			IP 65
Control electronics	Control integrated in operator housing	●	●	●	●
	Power limit (adjustable)	●	●	●	●
	Soft start and soft stop (adjustable)	●	●	●	●
	Magnetic limit switch	●	●	●	
	Electronic door position sensor				●
	Integrated automatic timer	●	●	●	●
	Passage of pedestrians programmable	●	●	●	●
	Number of lockable safety devices	3	3	3	3
Equipment	Hand transmitter (868 MHz)	4-button hand transmitter HS 4 BS (black)		Without remote control!	Without remote control!
	Receiver (868 MHz)	Uni-directional receiver HE 3 BiSecur for the impulse and partial opening functions (door position query is not possible).			
	Photocell (only in versions SK)	One-way photocell EL 301			
	Warning light (only in versions SK)	LED warning light SLK, yellow, for floor and wall fitting			–

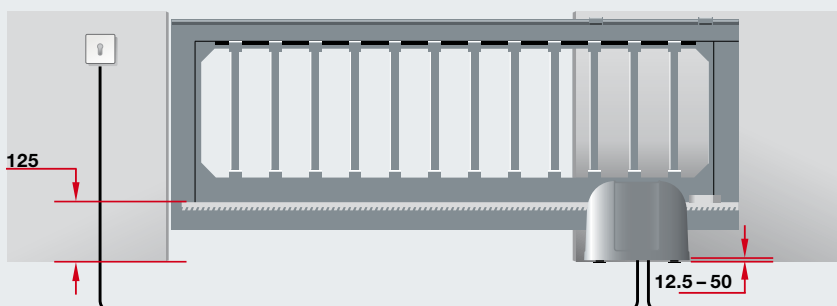
Mains connecting lead	230 V, NYY 3 × 1.5 mm ² (on-site)	230 V, NYY 3 × 1.5 mm ² (on-site)
Additional connection cable	All cables underground NYY, e.g. 5 × 1.5 mm ²	All cables underground NYY, e.g. 5 × 1.5 mm ²
Foundation dimensions	Min. 440 × 300 × 800 mm (frost resistant)	710 × 410 × 800 mm (frost resistant)
Connecting lead	See the figure for position of tube	
Lay all cables separately!		



LineaMatic



STA 400



Note: In order to comply with the requirements in DIN EN 13241, we recommend using a closing edge safety device.

All dimensions are minimum dimensions
Dimensions in mm