



NEW
*Fully bonded composite construction
OD with permanently flush surface*



Multi-Function Doors

Fire-rated and smoke-tight doors, acoustic-rated doors,
security doors, multi-purpose doors







Hörmann brand quality	4
Hörmann construction project door programme	6
Sustainable construction	8
Architects' Programme	9
Good reasons to try Hörmann	10
Multi-function door OD	12
Quality down to the last detail	14
Frame system	16
Frames with mineral wool backfill for solid walls	18
Frames with mineral wool backfill for dry construction	20
Frames with mortar for solid walls	22
Door functions	24
Steel door range	26
Glazings	46
Top panels / ventilation grilles	48
Decor surfaces	50
Special equipment	51
Door sizing	58
Clear passage widths	59
Technical details	60
Hörmann product range	62

The colours and surface finishes shown are subject to the limitations of the printing process and cannot be regarded as binding.

All rights reserved. No part may be reproduced without our prior permission. Subject to changes.

Brand-name quality from Hörmann for top safety and reliability



State Ministry for Urban Development and the Environment in Hamburg with Hörmann products



In-house product development

Growing and constantly changing functional and safety requirements necessitate continuous new construction / equipment developments and improvements, especially when it comes to moveable construction components such as doors. In this area, our qualified development teams time and again prove their great specialised expertise.



Highly sophisticated production methods

We at Hörmann rely on the latest production technology at our specialised factories. Computer-controlled operations ensure dimensionally accurate elements with perfectly fitted fittings and functional parts.



Matching system appearance



Secure solutions with international approval

Hörmann provides you with all the doors you need from a single source. With a matching appearance and precisely the functions you require for your project – fire protection, smoke protection, acoustic insulation and burglar protection. Hörmann's fire protection solutions are internationally approved. Several designs correspond to the "British Standard" and are thus approved for use in large parts of the Commonwealth. We also have approvals for China, where Hörmann manufactures fire-rated doors for the local market.

Established sales organisations are available within the corresponding countries for planning and implementation.



Fire testing at own fire test chamber

Our new and further developments are constantly tested for the required fire resistance and smoke-tightness through in-house fire tests at our fire testing centre. The knowledge gained from these tests ensures high fire protection for buildings. They also allow us to optimally prepare our innovations for the official inspections by the accredited testing centres for official approvals.



Expert building support

Experienced specialists within our customer-oriented sales organisation accompany you from the planning stage, through technical clarification up to the final building inspection.

Expert fitting is guaranteed by experienced Hörmann fitters and the specialised trained staff of Hörmann's partners.

Hörmann construction project door programme

The right solution for any requirement





Function doors

From sturdy steel internal doors and secure apartment entrance doors to fully glazed office doors up to external doors with thermal break, Hörmann offers a large programme with diverse colour and equipment variants.



Steel and stainless steel multi-function doors

Steel multi-function doors offer crucial advantages for architects and building owners: Doors with different functional requirements that are fitted in the same storey match perfectly thanks to their identical look. STS/STU steel and stainless steel doors feature a flush-fitting, elegant appearance.



Fully glazed tubular frame parts and automatic sliding doors

Hörmann's aluminium and steel fire-rated/smoke-tight doors and glazings in the T30, T60 and T90 models will convince you with certified safety, perfect function and a 100 % matching appearance. With Hörmann automatic sliding doors, you are combining the transparency of tubular frame parts with the requirements of fire protection or barrier-free construction. These products allow Hörmann to provide a uniform fire protection concept for use in architecturally demanding construction projects.



Visibility windows

Hörmann visibility glazings are used as windows or room-high elements to provide more light and better visibility. Visibility glazing is also available for special requirements, i.e. in heat and acoustic insulation or radiation-proof versions, as well as in the fire-retarding F30 and fire-resistant F90 variants. Individual solutions can be implemented using rail divisions, recesses and angles.

Image on left:
DC Tower, Vienna, with Hörmann products

Sustainable production for trend-setting construction



Sustainability documented and approved by the ift in Rosenheim

Hörmann has received confirmation of the sustainability of all its multi-function doors through an environmental product declaration (EPD)* in accordance with ISO 140425 from the Institut für Fenstertechnik (ift – Institute of window technology) in Rosenheim. The inspection was based on the Product Category Rules (PCR) Doors and Gates from ift Rosenheim GmbH, issue PCR-TT-0.1. Environmentally-friendly production was confirmed by a life-cycle analysis in accordance with DIN EN 14040 / 14044 for all doors.

Sustainably produced multi-function doors from Hörmann

- **Environmentally friendly production**
e.g. solvent-free powder coating at the factory, which can be treated on-site with limited-VOC paints or primers.
- **Regional raw materials**
The majority of applied raw materials are purchased from Germany and central Europe.
- **Durable, low maintenance products**
Approved in a functional test with more than 200000 closing cycles.

Sustainable construction with Hörmann's expertise

Hörmann has been able to gain great expertise in sustainable construction through various projects. We also apply this know-how to support your projects. Another advantage: For every project order, the required data for LEED certification are automatically generated.

breeam



DGNB

Deutsche Gesellschaft für Nachhaltiges Bauen e.V.
German Sustainable Building Council



Institut Bauen
und Umwelt e.V.



Hörmann's new Architects' Program

More than 9000 drawings for over 850 products



The new Architects' Program

Planning with Hörmann products is now even easier thanks to a new, modern, user-friendly interface. Clearly structured navigation via drop-down menus and symbols, as well as a search function, give you faster access to tender specifications and drawings (in DWG and PDF format) of over 850 Hörmann products. Photo-realistic presentations provide additional information on many products. The Architects' Program can be downloaded free-of-charge from the Hörmann Architects' Forum.

Good reasons to try Hörmann

Matching system appearance for all functions



1

Custom combinations

You can extend the main functions of multi-function doors (e.g. fire protection) based on your individual requirements. Numerous additional functions are at your disposal. For example, you can optionally equip your fire-rated door with break-in-resistant RC 2 security equipment. See our table on page 25 for all the combination options.

2

Matching system appearance

Whether fire-rated or smoke-tight – Hörmann multi-function doors are convincing in every detail. Independent of their functions, all doors have a perfectly matched appearance. The result is a harmonious overall look in your building.



3

Barrier-free access

Hörmann automatic hinged doors enable barrier-free passage and are universally applicable. Our multi-function doors are equipped with the corresponding operator at the factory. You can operate the automatic door conveniently via a button, radar or movement detector or Hörmann operating elements with BiSecur radio technology, such as the convenient hand transmitter.

4

Developed today for tomorrow

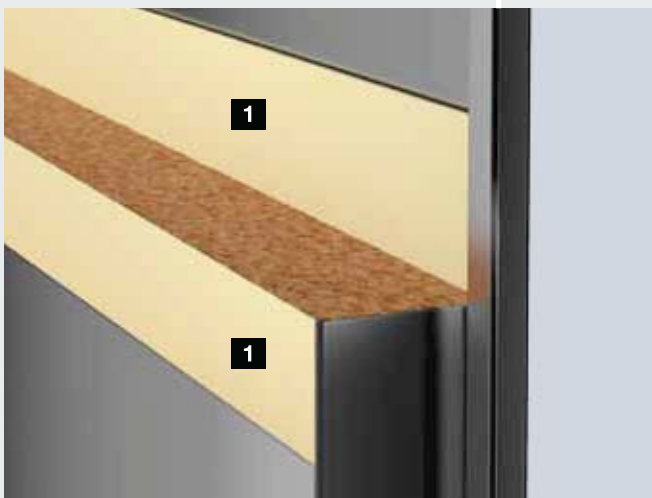
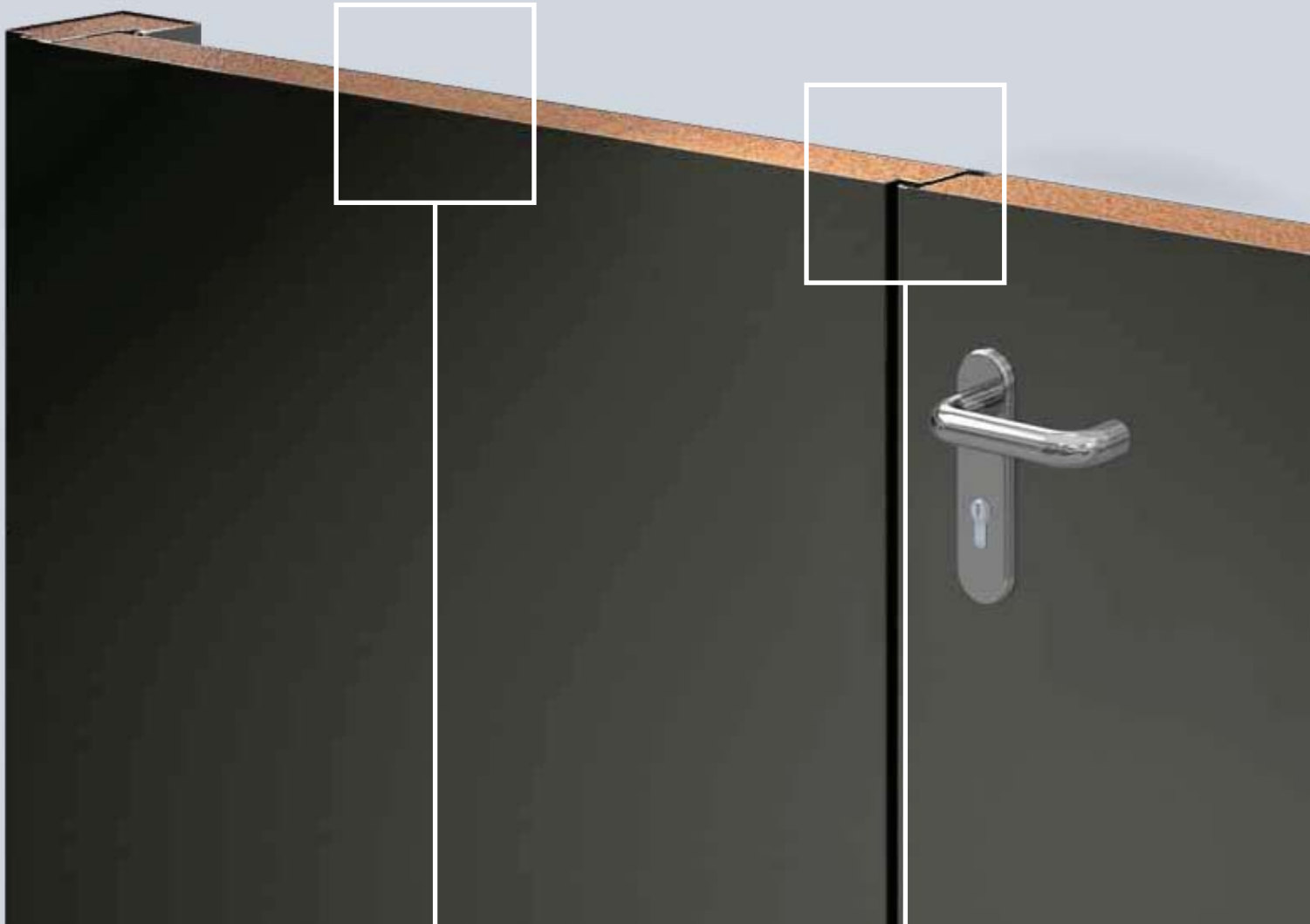
Corresponding to the new European product standards EN 16034 and EN 14351

Steel fire-rated doors H3 OD are designed in accordance with European fire protection requirements and are geared towards the product standard EN 16034 as well as tested according to DIN 4102 and EN 1634. Steel multi-function doors D65 OD are geared towards the product standard EN 14351 and are supplied with a CE mark. For you this means that, after they come into effect, these product standards will replace country-specific approvals. Only these European standards and any relevant country-specific requirements now apply for planning your fire-rated doors.



Multi-function door OD

Robust, high-quality door featuring excellent leaf strength



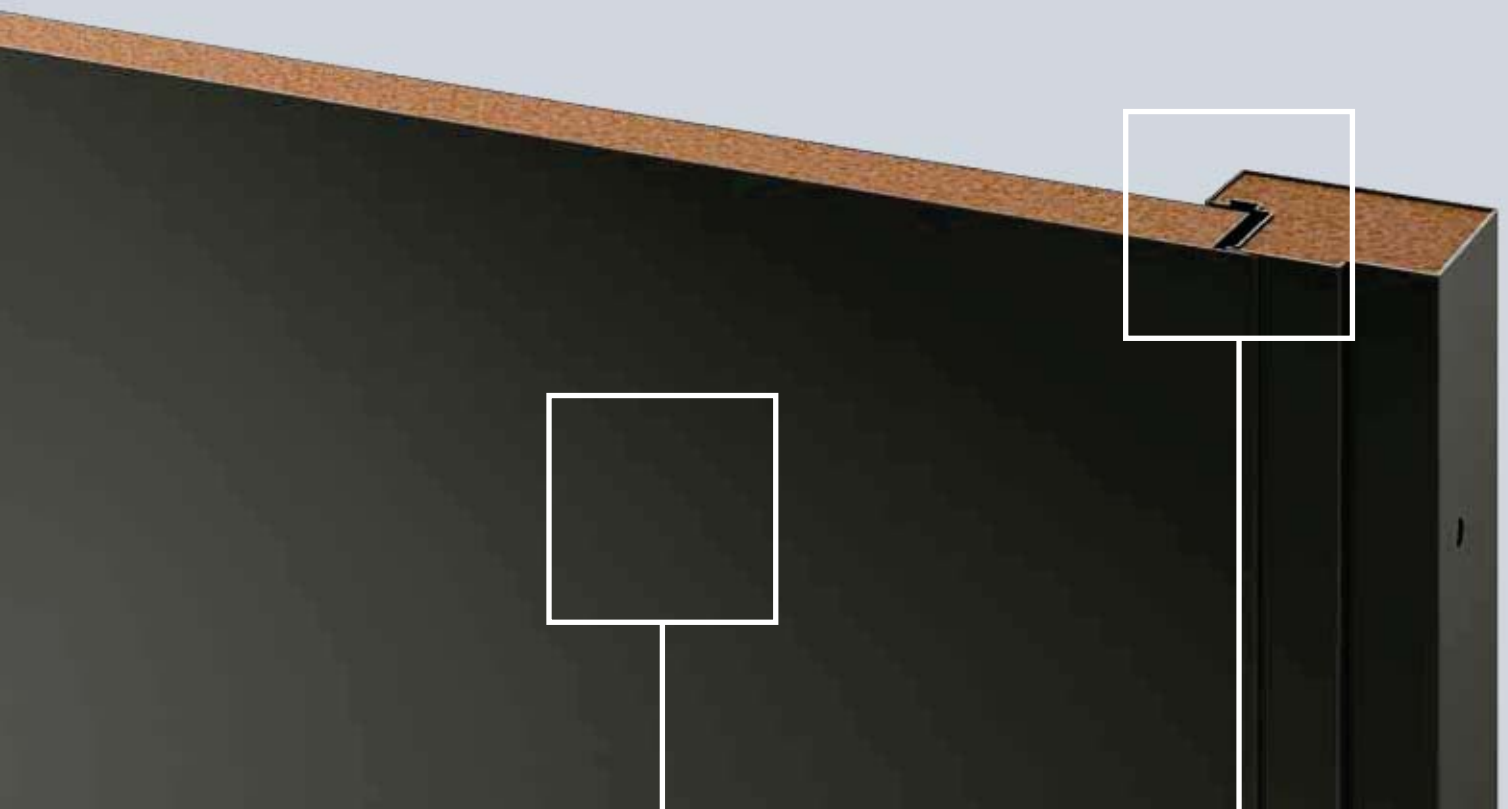
With fully bonded door leaf

The fully bonded composite construction **1** of the door leaf ensures particularly high stability and leaf strength. The door always closes securely and accurately with a satisfying noise.



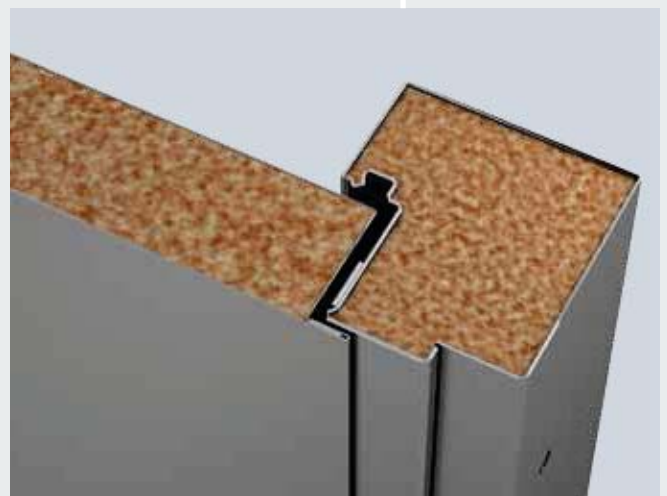
Harmonious appearance

In double-leaf doors, the flush-fitting transition of the two door leaves forms a harmonious overall appearance.



Flush surface

Hörmann multi-function doors OD convince with their permanently flush surface. Your advantage: the risk of door leaf warping or unevenness is virtually eliminated.

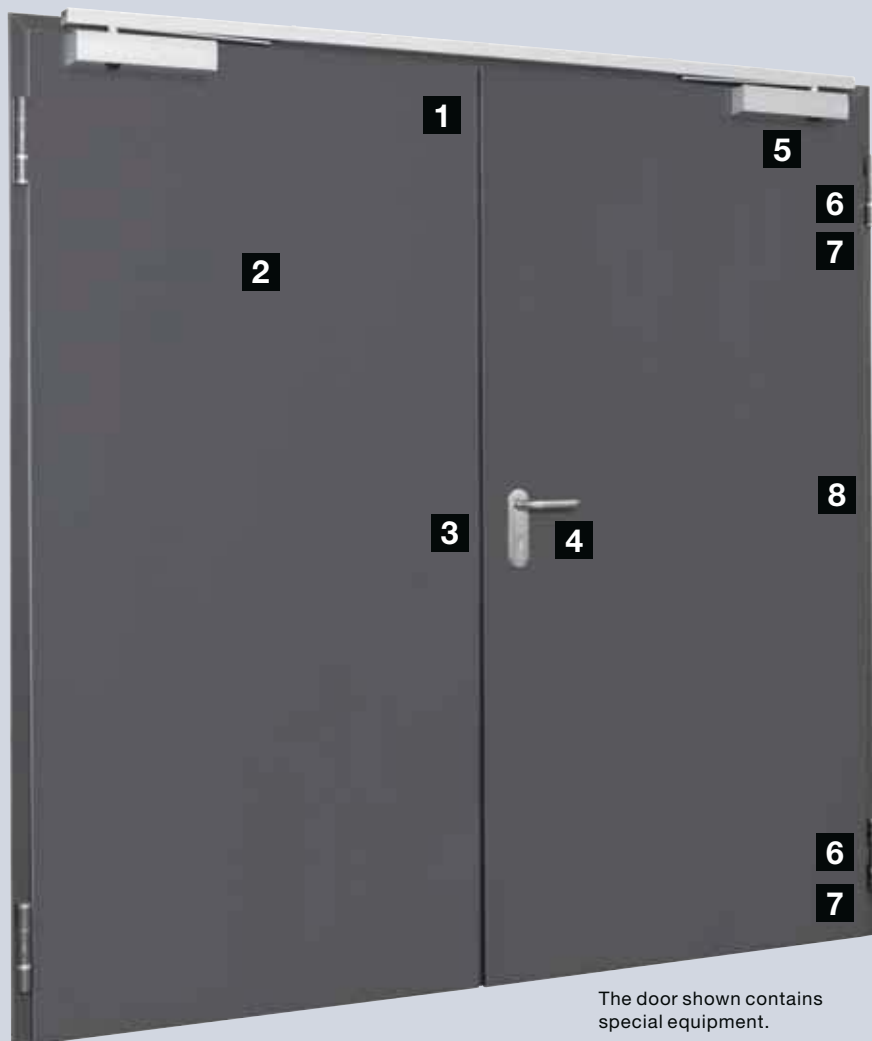


Optimal frame solution

The Hörmann frame system guarantees a stable wall connection for optimal and long-lasting door functionality, making it the optimal frame solution for every wall type.

Quality down to the last detail

High-quality series equipment in all multi-function doors



The door shown contains special equipment.

1 Rebate and door leaf on request

On request, Hörmann multi-function doors are available in a thin rebate (standard) or thick rebate version. For an especially harmonious door appearance, we also offer OD doors with a flush-closing door leaf.

2 Colour surface finish

For a high-quality appearance, we supply all door leaves and frames not only in galvanized and powder-coated versions in Grey white, but optionally in RAL to choose or with a decor surface (H3 OD, D65 OD). We recommend fitting with the Hörmann DryFix frame (more information on page 18).

3 Securely locked

Hörmann steel doors are equipped with a high-quality mortice lock with lever/knob and are prepared for a profile cylinder as standard. A robust rebate locking bolt or latch in rebate reliably secures the fixed leaf in double-leaf doors.



Thin rebate



Thick rebate



Flush version

4 Stylish, high-quality lever handles

The FS round lever handle set is both convenient and stable, and is fitted to your multi-function door in a black polypropylene version as standard. A short escutcheon, a securely fitted lever handle and a deadlock insert with a key complete the high-quality equipment. Break-in-resistant doors are supplied with a standard FS security handle set made of aluminium, tested in accordance with EN 1906 / DIN 18257 class ES 1 – ES 3 (short escutcheon with cylinder cover and drill-proof profile cylinder).

5 Self-closing function as standard

The standard self-closing function makes a fire-rated or smoke-tight door a reassuring purchase. In single-leaf doors, the self-closing function is realised by a stable, robust spring hinge or Hörmann slide rail door closer HDC 35 (depending on equipment and size).

Double-leaf fire-rated and smoke-tight doors are equipped with a linkage door closer as standard (not shown). The mechanical door leaf selector ensures the correct locking sequence for both door leaves.

6 Maintenance-friendly hinges

Our multi-function doors are equipped with 2 robust hinge sets with ball bearing. Multi-function doors OD provide additional comfort: The maintenance-friendly rolling bearings on the door leaf can be easily and conveniently replaced.

7 Perfectly adjustable 3-way hinges

Use the optional and practical 3-way adjustable hinges to re-adjust your multi-function door. Even small deviations can easily be compensated for. The hinges are available in a galvanized powder-coated (standard for high-acoustic-rating and flush-closing doors) or a high-quality stainless steel version.

8 Sturdy security bolts

Safer is better: In fire-rated and smoke-tight doors, sturdy steel security bolts provide additional stability on the hinge side in the event of a fire. Break-in-resistant doors are protected against possible forced opening with up to 7 solid steel security bolts (depending on the resistance class).



5 Hörmann slide rail door closer HDC 35 as standard in single-leaf doors (depending on equipment and size)



6 Hinges with ball bearing as standard



6 Simple replacement of the rolling bearings on the door (shown: multi-function door OD)



5 Optional slide rail door closer TS 5000 ISM in double-leaf doors



7 Optional 3-way adjustable stainless steel hinges



8 Sturdy security bolts (shown: multi-function door OD)

Frame system

Flexible, versatile and quickly fitted



The Hörmann frame system guarantees a stable wall connection for optimal and long-lasting door functionality, providing the door leaf with the ideal framework: lasting quality, reliable stability and a high resistance. Individual frame solutions in genuine Hörmann quality are also available for your wall type:

Frames with mineral wool backfill for solid walls

DryFix frame for quick, clean fitting (page 18)

Frames with mineral wool backfill for dry construction

For retrofitting with a double-shell profile frame with concealed bolting (page 20).

Frame with mortar for solid walls

Many frame variants for especially heavy wear (page 22)

Advantages at a glance:

- Sheet thickness 2 mm
- Floor recess 30 mm*, but can be shortened during fitting
- Moulded sealing groove
- As standard galvanized and with powder-coated primer in Grey white (similar to RAL 9002)
- Optional in RAL to choose
- Simple and fast fitting via diagonal fixing or fixing brackets including steel spacers

Advance delivery

To allow flexible fitting, we can also deliver the frames for high-quality construction project doors including 3-way adjustable hinges in advance. This gives you even more freedom in planning the fitting:

- The frames, as well as the 3-way adjustable hinges, can already be fitted during construction.
- The door leaf is fitted after construction, helping to avoid damage and soiling.

Flush-fitting cover caps

In frames that are fitted in the reveal, flush-fitting cover caps ensure the attractive appearance of the frame. They can be painted over and thus completely hidden.



Precise fitting in the fastening holes



Unpainted frame

Edge guard

All doors that are not provided with lock plates at the factory are equipped with an edge guard made of high-quality plastic as standard. This effectively protects the priming or the on-site coating. In addition, the door closes more quietly.



Frame with one coat of paint



Levelled out and painted frame:
the cover cap is completely concealed.

Frames with mineral wool backfill for solid walls

Quicker, cleaner fitting with DryFix frame



Place the frame in the opening and align it



Tighten frame



Seal the connection gap and cover up the fastening holes

Fitting made easy with the DryFix frame

The Hörmann DryFix frame is the ideal solution for simple, quick, clean fitting. The advantage: The frame is fully prepared at the factory and already backfilled with mineral wool or gypsum cardboard strips. This saves up to 50 % of the required fitting time at the construction site. Diagonal fixing with only one 100 mm (160 mm for gas concrete) anchoring screw per fixing point ensures maximum frame stability. The concealed fastening holes in the frame rebate are covered with cover caps and are invisible when the door is closed. Fitting without mortar is optimal for unplastered brickwork, as the risk of soiling or damaging the frame or brickwork on the frame or the brickwork is minimised. The DryFix frame is particularly suitable for fitting to existing structures since it can easily be retrofitted.

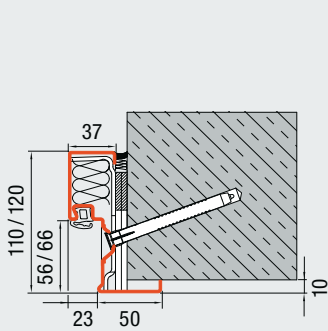


See the fitting video at:
<http://www.hoermann.co.uk/videos>

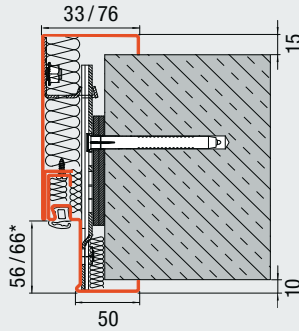




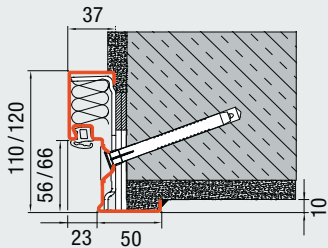
DryFix frame
Optimum for fitting
to unplastered brickwork



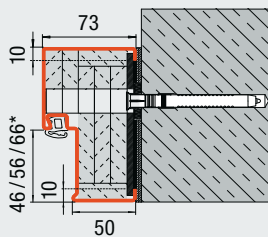
DryFix frame with diagonal fixing
(Unplastered brickwork / concrete)



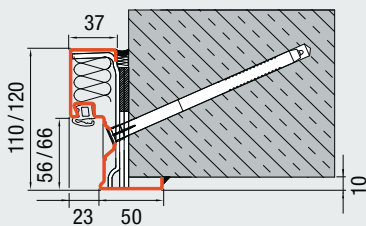
Double-shell profile frame with concealed plug-and-screw fitting and mineral wool backfill
(Brickwork / unplastered brickwork / concrete, also for plastered brickwork)



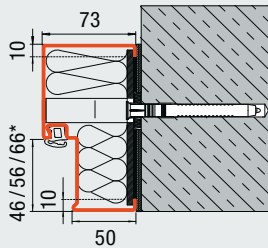
DryFix frame with diagonal fixing
(Plastered brickwork)



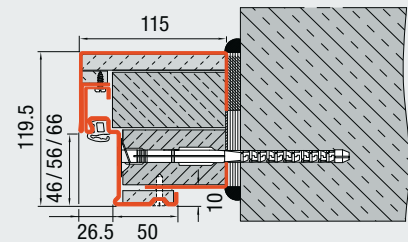
Block frame with flush-fitting cover caps as concealed plug-and-screw fitting
(Brickwork / concrete)



DryFix frame with diagonal fixing
(Gas concrete)



Block frame with flush-fitting cover caps as concealed plug-and-screw fitting in the opening
(Brickwork / concrete)



Double-shell block frame with increased frame depth and concealed plug-and-screw fitting
(Brickwork / concrete)

All dimensions in mm.

* Dependent on the door leaf thickness and rebate type

Frames with mineral wool backfill for dry construction

Quick, concealed fitting with DryFix corner frame and profile frame



Place corner frame profile 1 of the frame in the opening and align it



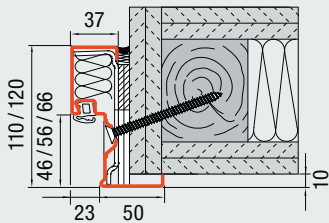
Screw corner frame profile 1 to the partition wall



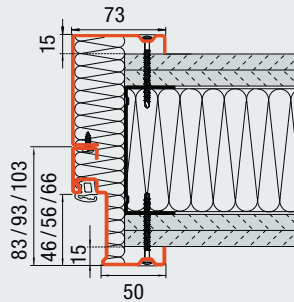
Screw counter frame profile 2 of the frame to profile 1 through the sealing groove and cover with the door sealing

Double-shell profile frame with concealed bolting

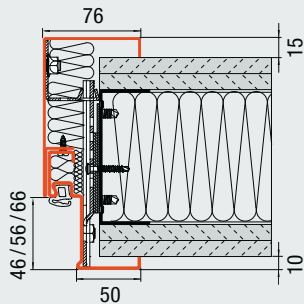
The double-shell profile system is particularly suitable for retrofitting. It is fastened to the partition wall via 8 fixing points (in single-leaf doors), one screw each. First, only corner frame profile 1 is mounted. After this step, the door leaf can be adjusted so that it is optimally fitted to the seal. This is particularly advantageous for doors featuring smoke protection, acoustic insulation or thermal insulation. Only then is counter frame profile 2 mounted. Next, the two frame profiles are fastened with screws concealed in the sealing groove. The screw is covered by the sealing. With a depth of 76 mm on the opposite hinge side, the frame can be filled with mineral wool on-site. You can optionally receive suitably shaped parts from the factory.



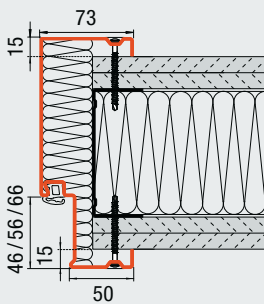
DryFix frame with diagonal fixing
(F90 B timber partition walls)



Corner and counter frame with screw-fixing
(Partition wall)



Double-shell profile frame with concealed plug-and-screw fitting and mineral wool backfill
(Partition wall) F90 A and F90 B (shown: F90 A)



Profile frame with screw-fixing
(Partition wall)

All dimensions in mm.

* Dependent on the door leaf thickness and rebate type

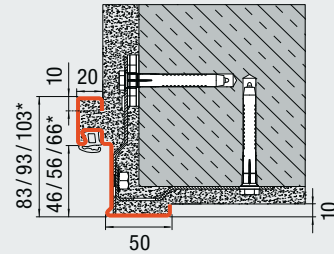
Frames with mortar for solid walls

Frame types for heavy wear

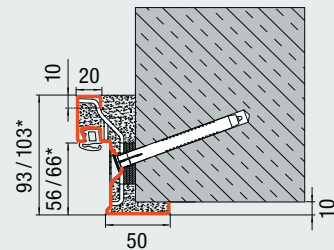


For more stability and strength

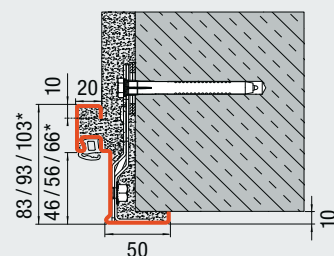
For particularly high demands on frame stability and strength, fitting with mortar backfill is ideal. It is primarily used in heavy doors and doors with heavy wear. Fitting is quick and easy with the supplied fixing systems including spacers. The plug lengths ranging from 80 to 100 mm make these frame types very installation-friendly.



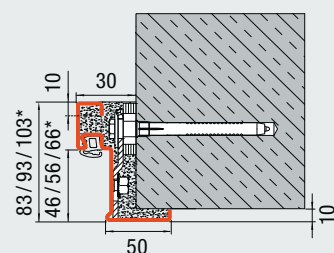
Corner frame with plug-and-screw fitting
(Brickwork / concrete)



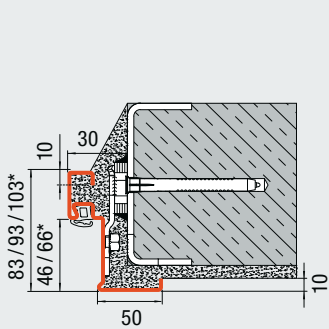
Corner frame with diagonal fixing
(Brickwork / unplastered brickwork / concrete)



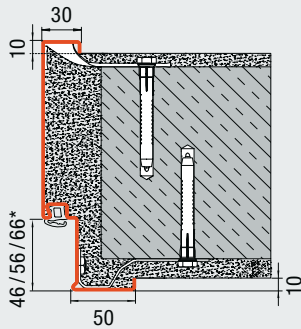
Corner frame with plug-and-screw fitting in the reveal
(Brickwork / concrete)



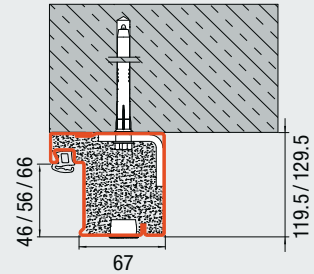
Corner frame with concealed plug-and-screw fitting
(Unplastered brickwork / concrete)



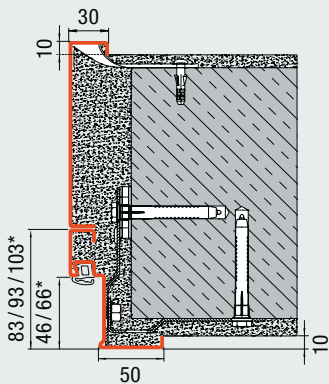
Corner frame with fitting by welding (Gas concrete)



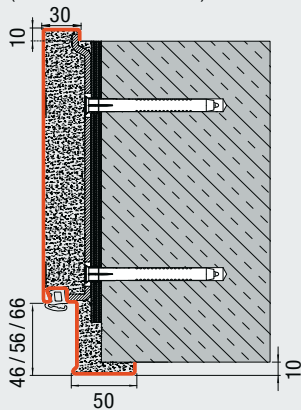
Profile frame with plug-and-screw fitting (Brickwork / concrete)



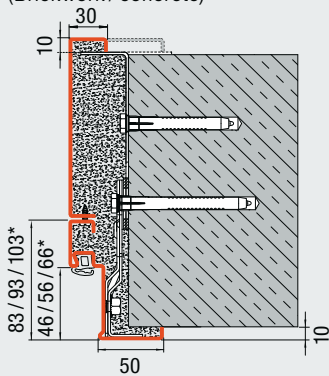
Block frame with flush-fitting cover caps as concealed plug-and-screw fitting in front of the opening (Brickwork/max. T30 doors)



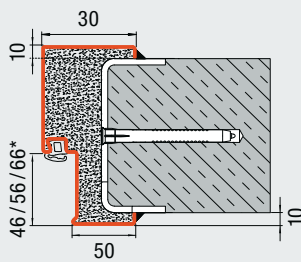
Corner and counter frame with plug-and-screw fitting (Brickwork / concrete)



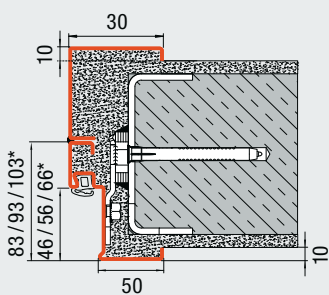
Profile frame with plug-and-screw fitting through the frame reveal (Unplastered brickwork / concrete)



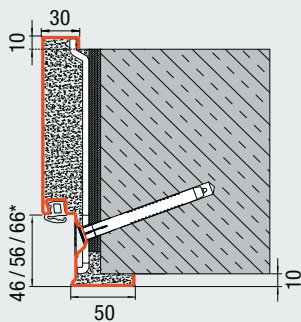
Corner and counter frame with concealed plug-and-screw fitting and counter frame with fitting by welding (Unplastered brickwork / concrete)



Profile frame with fitting by welding (Gas concrete / unplastered brickwork)



Corner and counter frame with fitting by welding (Gas concrete)



Profile frame with diagonal fixing (Brickwork)

All dimensions in mm.

* Dependent on the door leaf thickness and rebate type

Always the perfect solution for your requirements

Fire-retarding, smoke-tight, acoustic-rated, break-in-resistant

T30

T60

T90

RS

Fire-rated and smoke-tight doors

Smoke and fire damage can have fatal, life-threatening consequences. This makes safe equipment with fire-rated and smoke-tight doors even more crucial. It's a good thing that you can rely on tested, officially approved Hörmann fire-rated and smoke-tight doors.



dB

Acoustic-rated doors

Noise not only reduces the ability to concentrate, but can also trigger stress and result in permanent illness. This is why it is important to best insulate noise at its point of origin. Hörmann acoustic-rated doors make a major contribution with acoustic values of up to 61 dB.



WK 2

RC 2

WK 3

RC 3

WK 4

RC 4

Security doors

Safety first! Hörmann break-in-resistant doors have been tested and certified in accordance with European standards DIN ENV 1627 to 1630 since 1999. Double-leaf security doors in resistance class RC 3 with anti-panic function according to EN 1125 reliably secure your emergency exits against break-in attempts.



MZ

Multi-purpose doors

For warehouse or office, interior or exterior use, with or without special equipment – the large range of Hörmann multi-purpose doors meets a wide variety of requirements.



Needs-based combinations

All possibilities at a glance

Door description	Version	Page	Functions										
			Fully bonded composite construction	Welded design	T30 fire-retarding	T60 high fire resistance	T90 fire-proof	Smoke-tight	Acoustic-rated	Break-in-resistant WK 2 / RC 2	Break-in-resistant WK 3 / RC 3	Break-in-resistant WK 4 / RC 4	Use in exterior walls
H3D	Single-leaf	27		■	■			●	●	●			
H3 OD	Single-leaf	29	■		■			●	●	●	●*	●*	
H3 OD	Double-leaf	29	■		■			●	●	●	●**		
H3 G	Single-leaf	30		■	■			●	●				
H3 VM	Double-leaf	30		■	■			●		●			
H3 KT	Single-leaf	31		■	■				●	●			●
H6	Single-leaf	33		■		■		●	●	●			
H6	Double-leaf	33		■		■		●	●	●			
H16 OD	Single-leaf	35	■				■	●	●	●			
H16 OD	Double-leaf	35	■				■	●	●				
H16	Single-leaf	36		■			■	●	●	●	●		
H16	Double-leaf	37		■			■	●	●	●			
H16 G	Single-leaf	36		■			■	●					
H16 G	Double-leaf	37		■			■						
RS55	Single-leaf	39		■				■	●				
RS55	Double-leaf	39		■				■	●				
HS75	Single-leaf	41		■				●	■	●			
H16 S	Single-leaf	41		■			■	■	■	●			
D65 OD	Single-leaf	43	■						●	●	●***	●***	●
D65 OD	Double-leaf	43	■						●	●	●***		●
D65	Single-leaf	45		■					●				●
D65	Double-leaf	45		■					●				●

■ Main function – as standard

● Additional function – with corresponding equipment

* Available from autumn 2015, until then delivery as fire-rated door H3

** Available from autumn 2015, until then delivery as fire-rated door H3 VM

*** Available from autumn 2015, until then delivery as security door E65

Tower 185, Frankfurt
Architect: Christoph Mäckler Architekten,
Frankfurt am Main



Pre-certified by

DGNBDeutsche Gesellschaft für Nachhaltiges Bauen e.V.
German Sustainable Building Council**Hörmann products**

- T30 steel fire-rated doors H3
- T90 steel fire-rated doors H16
- Steel smoke-tight doors RS 55
- Multi-purpose doors D65
- Multi-purpose doors D55
- T30 stainless steel fire-rated doors STS / STU



T30 fire-rated door

H3D

Single-leaf



Thin rebate
Door leaf thickness
45 mm

Main function
Fire-retarding

T30

Additional functions
(with corresponding
equipment)

RS

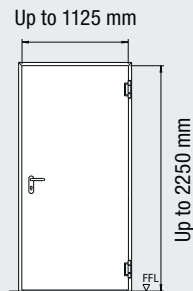
Smoke-tight

dB

Acoustic-rated
Acoustic values from
37 – 44 dB

WK 2

Break-in-resistant



Fire-rated door

Design

Door leaf

Sheet thickness

Rebate type

H3D-1

Welded design

45 mm

1.0 mm

Thin rebate

Fitting in

Brickwork	≥ 115 mm
Concrete	≥ 100 mm
Gas concrete blocks	≥ 150 mm
Gas concrete slabs	≥ 150 mm
Prefabricated walls according to DIN 4102-4, Tab. 48	≥ 100 mm

Additional functions / performance characteristics

Thermal insulation U_D	1.9 W/(m ² ·K)	
Acoustic rating category	II	III
With bottom profile with seal	41 dB	-
With retractable bottom seal	37 dB	-
With threshold rail with seal	-	44 dB

Optional extras

Glazings	Page 46
Fixed top panels	Page 48
Special equipment	Page 51
Door Sizing	Page 58

Size range	H3D-1	
	Width	Height
Nominal size (ordering size)	625 – 1125	1750 – 2250

All dimensions in mm

Building “X” at Bielefeld University

Architect: Architektur- und Ingenieurbüro agn Niederberghaus & Partner, Ibbenbüren



Hörmann products

- Steel fire-rated doors H3
- Steel fire-rated doors H16
- Stainless steel fire-rated doors STS
- Fire sliding doors FST

T30 fire-rated door

H3 G / H3 VM

Single and double-leaf



Thin rebate

Door leaf thickness
65 mm



Thick rebate

Door leaf thickness
65 mm

Main function

Fire-retarding

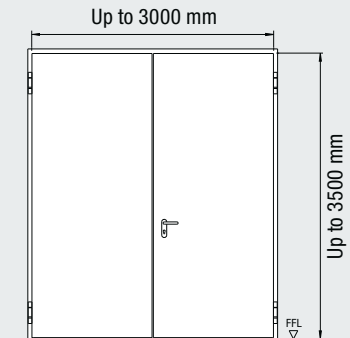
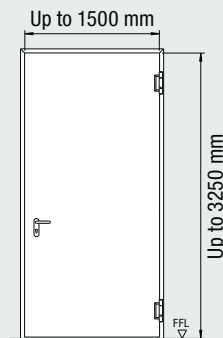
T30

Additional functions

(with corresponding
equipment)

RS

Smoke-tight



Fire-rated door

Design

Door leaf

Sheet thickness

Rebate type

H3 G-1

Welded design

65 mm

1.5 mm

Thin rebate

H3 VM-2

Welded design

65 mm

1.5 mm

Thin/thick rebate

Fitting in

Brickwork	≥ 240 mm	≥ 175 mm
Concrete	≥ 140 mm	≥ 140 mm
Gas concrete blocks	≥ 175 mm	≥ 175 mm
Gas concrete slabs	≥ 175 mm	≥ 175 mm
Prefabricated walls according to DIN 4102-4, Tab. 48	≥ 100 mm	≥ 100 mm

Additional functions / performance characteristics

Thermal insulation U_p	2.0 W/(m ² ·K)	1.5 W/(m ² ·K)
--------------------------------------------	---------------------------	---------------------------

Optional extras

Glazings	Page 46
Fixed top panels	Page 48
Special equipment	Page 51
Door Sizing	Page 58

Size range	H3 G-1		H3 VM-2	
	Width	Height	Width	Height
Nominal size (ordering size)	875 – 1500	2500 – 3250	1375 – 3000	1750 – 3500
With fixed top panel				
Traffic leaf width			1000 – 1500	
Fixed leaf width			500 – 1500	

All dimensions in mm

T30 fire-rated door

H3 KT

Single-leaf

For use in
exterior walls



Thick rebate

Door leaf thickness 55 mm,
sheet thickness 1.5 mm

Main function



Fire-retarding



Use in exterior walls

With national technical
approval

Additional functions

(with corresponding
equipment)

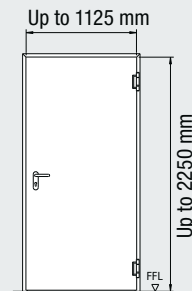


Acoustic-rated

Acoustic values from
38 – 45 dB



Break-in-resistant



Fire-rated door

H3 KT

Design

Welded design

Door leaf

55 mm

Sheet thickness

1.5 mm

Rebate type

Thick rebate

Fitting in

Brickwork	≥ 115 mm
Concrete	≥ 100 mm
Gas concrete blocks	≥ 150 mm
Gas concrete slabs	≥ 150 mm

Additional functions / performance characteristics

Thermal insulation U_D	1.9 W/(m ² ·K)
Acoustic insulation	38 – 45 dB
Security	RC 2
Wind load	Class C5
Water tightness under heavy rain	Class 1A (opening inwards) Class 2A (opening outwards)
Air permeability	Class 3
Operating forces	Class 1 (opening inwards) Class 2 (opening outwards)
Mechanical strength	Class 4
Differential climate behaviour	Class 2(d) / 2(e)

The listed values depend on the door features and fitting situation.

Optional extras

Glazings	Page 46
Fixed top panels	Page 48
Special equipment	Page 51
Door Sizing	Page 58

	H3 KT	
Size range	Width	Height
Nominal size (ordering size)	625 – 1125	1750 – 2250

All dimensions in mm

ESO European Southern Observatory, Garching near Munich Architect: Auer Weber, Munich



Hörmann products

- Steel fire-rated doors H3
- Steel multi-purpose doors D45 / D55
- Fire sliding doors FST
- Steel fire-rated doors STS



T60 fire-rated door

H6

Single and double-leaf



Thin rebate
Door leaf thickness
65 mm



Thick rebate
Door leaf thickness
65 mm

Main function

High fire resistance

T60

Additional functions

(with corresponding equipment)

RS

Smoke-tight

dB

Acoustic-rated

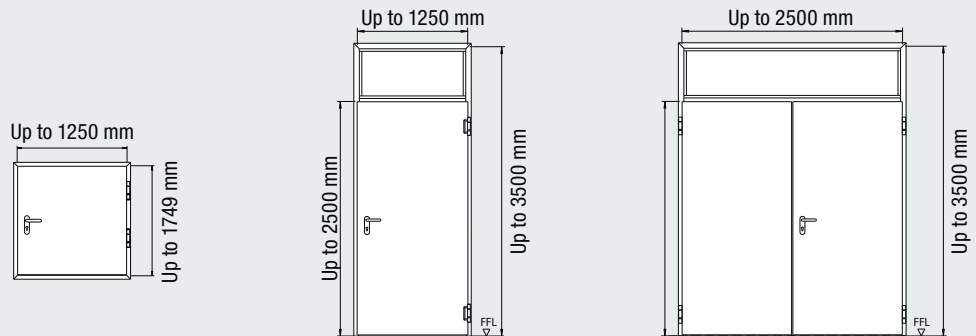
Acoustic values from
37 – 45 dB

WK 2

Break-in-resistant

Up to 2500 × 2500 mm

RC 2



Fire-rated door

Design

Door leaf

Sheet thickness

Rebate type

H6-1

Welded design

65 mm

1.0 / 1.5 mm

Thin / thick rebate

H6-2

Welded design

65 mm

1.0 / 1.5 mm

Thin rebate

Fitting in

Brickwork	≥ 115* / 175 mm	≥ 175 mm
Concrete	≥ 100* / 140 mm	≥ 140 mm
Gas concrete blocks	≥ 175* / 200 mm	≥ 200 mm
Gas concrete slabs	≥ 175* / 200 mm	≥ 200 mm
Partition walls	≥ 125 mm	≥ 125 mm

* Up to BRB 625 mm and BRH 750 mm

Additional functions / performance characteristics

Thermal insulation U_D	1.8 W/(m ² ·K)		1.8 W/(m ² ·K)	
Acoustic rating category	II	III	II	III
With bottom profile with seal	40 dB	-	-	42 dB
With retractable bottom seal	38 dB	-	37 dB	-
With threshold rail with seal	-	43 dB	-	45 dB
With all-round frame on 4 sides	-	43 dB	-	-

Size range	H6-1		H6-2	
	Width	Height	Width	Height
Nominal size (ordering size)	625 – 1250	1750 – 2500	1375 – 2500	1750 – 2500
With fixed top panel		– 3500		– 3500
Traffic leaf width			750 – 1250	
Fixed leaf width			500 – 1250	

All dimensions in mm

Optional extras

Glazings	Page 46
Fixed top panels	Page 48
Special equipment	Page 51
Door Sizing	Page 58

RAMADA Hotel & Conference Center Munich
Architect: Katrin Hootz Architektengesellschaft, Munich



Hörmann products

- T30 steel fire-rated doors H3
- T30 aluminium fire-rated doors HE 321
- Automatic sliding doors AD 100
- T30 steel fire-rated door H3
- T90 steel fire-rated door H16
- T30 steel hollow profiled section door HL 310 / 320
- T90 steel hollow profiled section door HL 921

T90 fire-rated door

H16 OD

Single and double-leaf



Thin rebate
Door leaf thickness
65 mm



Thick rebate
Door leaf thickness
65 mm

Main function

Fire-proof

T90

Additional functions

Smoke-tight

RS

dB

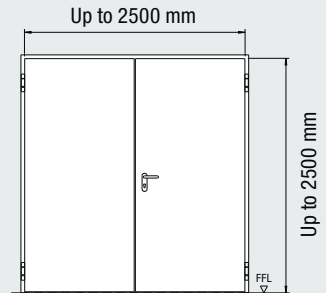
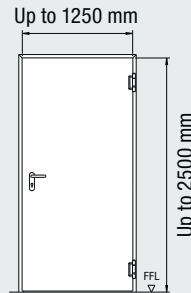
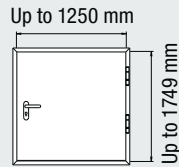
Acoustic-rated

Acoustic values
from 34 – 44 dB,
thin rebate / thick rebate

RC 2

Break-in-resistant

Only H16-1 OD: Not
in combination with
glazing and top panel
From 625 × 1750 mm
Up to 1250 × 2500 mm



Fire-rated door

Design

Door leaf

Sheet thickness

Rebate type

H16-1 OD

Fully bonded composite construction

65 mm

1.0 / 1.5 mm

Thin / thick rebate

H16-2 OD

Fully bonded composite construction

65 mm

1.0

Thin / thick rebate

Fitting in

Brickwork	≥ 175 mm	≥ 175 mm
Concrete	≥ 140 mm	≥ 140 mm
Gas concrete blocks	≥ 200 mm	≥ 200 mm
Gas concrete slabs	≥ 200 mm	≥ 200 mm
Prefabricated walls according to DIN 4102-4, Tab. 48	≥ 125 mm	≥ 125 mm
Prefabricated walls according to DIN 4102-4, Tab. 49	≥ 125 mm	≥ 125 mm

Additional functions / performance characteristics

Thermal insulation U_D	1.2 W/(m ² ·K)*			1.3 W/(m ² ·K)*		
Acoustic rating category	I	II	III	I	II	III
	(Standard)	(Optional)	(Optional)	(Standard)	(Optional)	(Optional)
With bottom profile with seal	35 dB		43 dB	35 dB		43 dB
With retractable bottom seal	34 dB	39 dB	42 dB**	34 dB	38 dB	44 dB**
With threshold rail with seal	35 dB		44 dB	35 dB		42 dB
With all-round frame on 4 sides	35 dB		44 dB	35 dB		42 dB

All values refer to a door with 1.0 mm sheet thickness

* For a door without glazing or top panel

** With double retractable bottom seal

Optional extras

Glazings	Page 46
Fixed top panels	Page 48
Special equipment	Page 51
Door Sizing	Page 58

Size range	H16-1 OD		H16-2 OD	
	Width	Height	Width	Height
Nominal size (ordering size)	500 – 1250	500 – 2500	1375 – 2500	1750 – 2500
Traffic leaf width			750 – 1250	
Fixed leaf width			500 – 1250	

All dimensions in mm

T90 fire-rated door

H16 / H16 G

Single-leaf



Thin rebate

Door leaf thickness
65 / 78 mm



Thick rebate

Door leaf thickness
65 mm

Main function

Fire-proof

T90

Additional functions

(with corresponding
equipment)

RS

Smoke-tight

dB

Acoustic-rated

H16-1: Acoustic values
from 38 – 43 dB

WK 2
RC 2

Break-in-resistant

Up to 1250 × 2500 mm

WK 3
RC 3

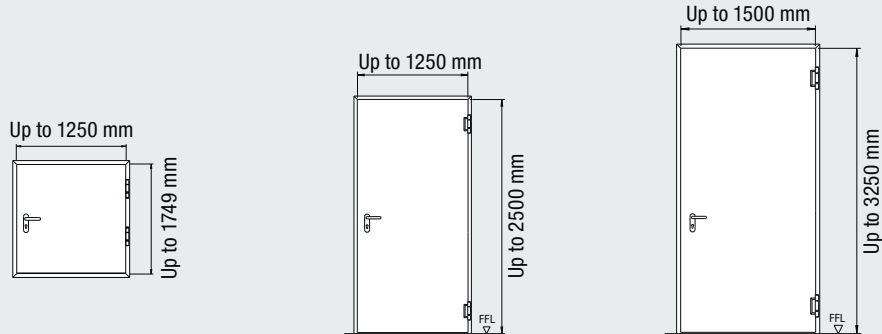
Up to 1250 × 2500 mm,
sheet thickness 1.5 mm

WK 4
RC 4

Up to 1250 × 2500 mm,
sheet thickness 1.5 mm

Optional extras

Glazings	Page 46
Fixed top panels	Page 48
Special equipment	Page 51
Door Sizing	Page 58



Fire-rated door

Design

Door leaf

Sheet thickness

Rebate type

H16-1

Welded design

65 / 78 mm

1.0 / 1.5 mm

Thin / thick rebate

H16 G-1

Welded design

78 mm

1.5 mm

Thin rebate

Fitting in

Brickwork	≥ 115 mm* / ≥ 175 mm	≥ 240
Concrete	≥ 100 mm* / ≥ 140 mm	≥ 140 mm
Gas concrete blocks	≥ 175 mm	≥ 200 mm
Gas concrete slabs	≥ 175 mm	≥ 200 mm
Prefabricated walls according to DIN 4102-4, Tab. 48	≥ 125 mm	
Prefabricated walls according to DIN 4102-4, Tab. 49	≥ 125 mm	

* Up to BRB 625 mm and BRH 750 mm

Additional functions / performance characteristics

Thermal insulation U_D	1.8 W/(m ² ·K)	1.8 W/(m ² ·K)
Acoustic rating category	II	III
With bottom profile with seal	40 dB	-
With retractable bottom seal	38 dB	-
With threshold rail with seal	-	43 dB
With all-round frame on 4 sides	-	43 dB

Size range	H16-1		H16 G-1	
	Width	Height	Width	Height
Nominal size (ordering size)	500 – 1250	500 – 2500	875 – 1500	2000 – 3250

All dimensions in mm

T90 fire-rated door

H16 / H16 G

Double-leaf



Thin rebate
Door leaf thickness
65 / 78 mm



Main function
Fire-proof



Additional functions
(with corresponding
equipment)

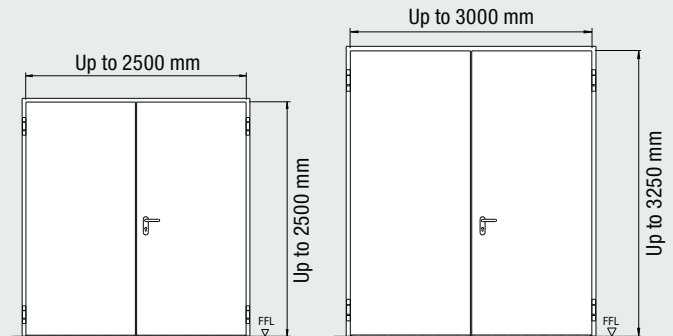
Smoke-tight
H16-2



Acoustic-rated
H16-2: Acoustic values
from 37 – 45 dB



Break-in-resistant
H16-2



Fire-rated door

Design

Door leaf

Sheet thickness

Rebate type

H16-2

Welded design

65 mm

1.0 / 1.5 mm

Thin rebate

H16 G-2

Welded design

78 mm

1.5 mm

Thin rebate

Fitting in

Brickwork	≥ 175 mm	≥ 240 mm
Concrete	≥ 140 mm	≥ 140 mm
Gas concrete blocks	≥ 150 mm	≥ 200 mm
Gas concrete slabs	≥ 150 mm	≥ 200 mm
Prefabricated walls according to DIN 4102-4, Tab. 48	≥ 125 mm	
Prefabricated walls according to DIN 4102-4, Tab. 49	≥ 125 mm	

Additional functions / performance characteristics

Thermal insulation U_D	1.7 W/(m ² ·K)	-
Acoustic rating category	II	III
With bottom profile with seal	-	42 dB
With retractable bottom seal	37 dB	-
With threshold rail with seal	-	45 dB

Optional extras

Glazings	Page 46
Fixed top panels	Page 48
Special equipment	Page 51
Door Sizing	Page 58

Size range	H16-2		H16 G-2	
	Width	Height	Width	Height
Nominal size (ordering size)	1375 – 2500	1750 – 2500	1500 – 3000	2000 – 3250
Traffic leaf width	750 – 1250		1000 – 1500	
Fixed leaf width	500 – 1250		500 – 1500	

All dimensions in mm

37

Jänschwalde power station works fire brigade, Peitz
Architect: Planungsgruppe Prof. Sommer, Cottbus



Hörmann products

- T30 steel fire-rated doors H3
- T30 aluminium fire-rated door HE 321
- Industrial sectional doors APU F42

Smoke-tight door RS55

Single and double-leaf



Thin rebate
Door leaf thickness
55 mm



Thick rebate
Door leaf thickness
55 mm

Main function

RS

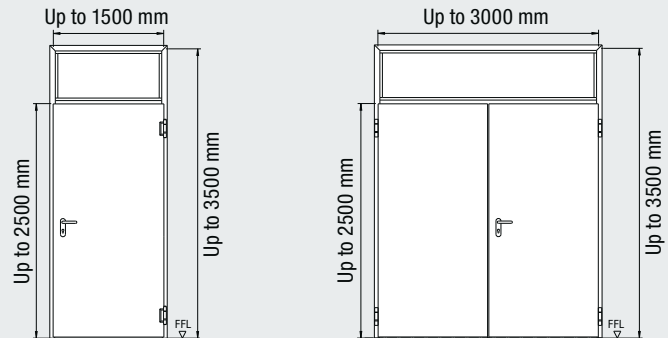
Smoke-tight
With bottom door seal
type 1 or 2

Additional functions

(with corresponding
equipment)

dB

Acoustic-rated
Acoustic values from
38 – 41 dB



Smoke-tight door

Design

Door leaf

Sheet thickness

Rebate type

RS55-1

Welded design

55 mm

1.0 / 1.5 mm

Thin / thick rebate

RS55-2

Welded design

55 mm

1.0 / 1.5 mm

Thin / thick rebate

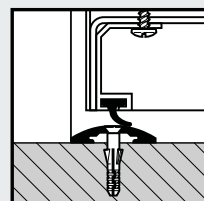
Fitting in

Brickwork	≥ 115 mm	≥ 115 mm
Concrete	≥ 100 mm	≥ 100 mm
Gas concrete blocks	≥ 150 mm	≥ 175 mm
Gas concrete slabs	≥ 150 mm	≥ 175 mm
Prefabricated walls according to DIN 4102-4, Tab. 48	≥ 100 mm	≥ 100 mm

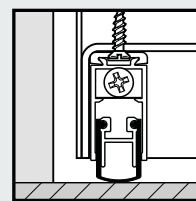
Additional functions / performance characteristics

Thermal insulation U_D	1.9 W/(m ² ·K)	2.0 W/(m ² ·K)
Acoustic rating category	II	II
With bottom profile with seal	41 dB	40 dB
With retractable bottom seal	38 dB	38 dB

Door bottom seals



Type 1
Aluminium bottom
profile with seal,
frame with stepped
threshold



Type 2
Bottom seal,
retractable

Optional extras

Glazings	Page 46
Fixed top panels	Page 48
Special equipment	Page 51
Door Sizing	Page 58

Size range	RS55-1		RS55-2	
	Width	Height	Width	Height
Nominal size (ordering size)	625 – 1250	1750 – 2500	1375 – 2500	1750 – 2500
With fixed top panel		– 3500		– 3500
Traffic leaf width			750 – 1250	
Fixed leaf width			500 – 1250	

All dimensions in mm

39

25hours Hotel Hamburg Hafencity Architect: Böge Lindner 2K Architekten, Hamburg



Hörmann products

- T30 steel fire-rated door H3
- T30 steel fire-rated door HL 321
- T30 steel system wall



Acoustic-rated door HS75 / H16 S

Single-leaf

**High acoustic rating
up to 61 dB**



Thick rebate
Door leaf thickness
75 mm

dB

Main function
High acoustic rating
Acoustic values from
50 – 61 dB

Additional functions
(with corresponding
equipment)

T90

Fire-proof
H16 S

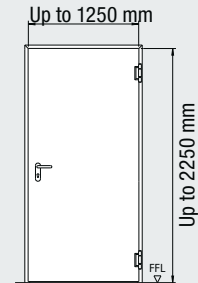
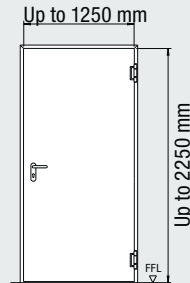
RS

Smoke-tight

WK 2

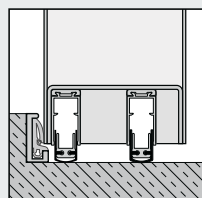
Break-in-resistant

RC 2

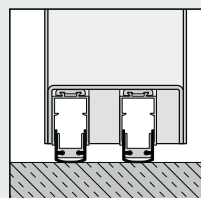


Acoustic insulation door	HS75-1			H16 S-1	
Design	Welded design			Welded design	
Door leaf	75 mm			75 mm	
Sheet thickness	1.0 mm			1.0 mm	
Rebate type	Thick rebate			Thick rebate	
Fitting in					
Brickwork	≥ 115 mm			≥ 240 mm	
Concrete	≥ 100 mm			≥ 140 mm	
Additional functions / performance characteristics					
Thermal insulation U_D	2.1 W/(m ² ·K)			2.1 W/(m ² ·K)	
Acoustic rating category	IV	V		IV	V
With threshold rail with seal and 2 retractable bottom seals		53 dB			53 dB
With 2 retractable bottom seals	50 dB			50 dB	
With threshold rail with seal	51 dB			51 dB	
For increased requirements, acoustic rating category VI					
With 2 retractable bottom seals	59 dB			59 dB	
With 2 aluminium bottom profiles with seal and stepped threshold	59 dB			59 dB	
With threshold rail with seal	61 dB			61 dB	

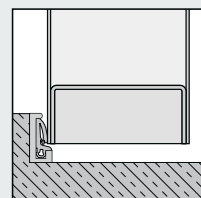
Door bottom seals



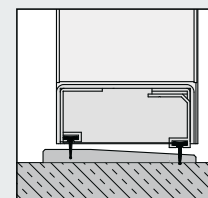
Threshold rail with seal and 2 retractable bottom seals



2 retractable bottom seals



Threshold rail with seal



Stepped threshold with seal

Optional extras

Glazings	Page 46
Fixed top panels	Page 48
Special equipment	Page 51
Door Sizing	Page 58

Size range	HS75-1		H16 S-1	
	Width	Height	Width	Height
Nominal size (ordering size)	625 – 1250	1750 – 2250	625 – 1250	1750 – 2250

All dimensions in mm

Office building at Rödingsmarkt, Hamburg
Architect: Bothe Richter Teherani, Hamburg



Hörmann products

- T30 steel fire-rated doors H3
- T90 steel fire-rated doors H16
- T30 steel fire-rated doors STS
- T30 aluminium fire-rated doors HE 311

Multi-function door

D65 OD

Single and double-leaf



Thin rebate
Door leaf thickness
65 mm



Thick rebate
Door leaf thickness
65 mm



Flush
Door leaf thickness
59 mm

Main function



Multi-purpose door



Additional functions

Acoustic-rated
Acoustic values
from 37 – 40 dB



Break-in-resistant
Not in combination
with glazing and
top panel
From 625 × 1750 mm
Up to 1250 × 2500 mm



Available from
autumn 2015, until
then delivery as E65



Available from
autumn 2015, until
then delivery as E65



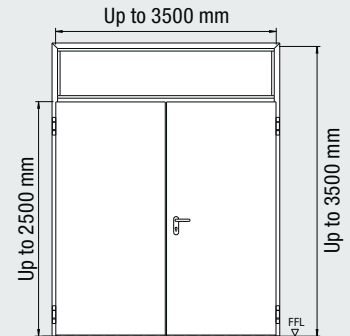
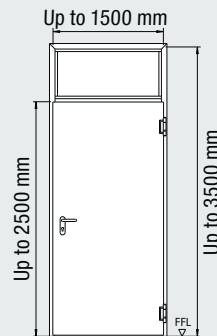
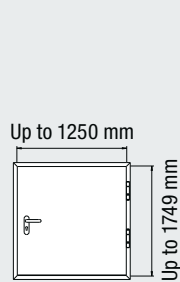
Use in exterior walls
Labelled according
to DIN EN 14351-1



Decor Surfaces
As thick rebate

Optional extras

Glazings	Page 46
Fixed top panels	Page 48
Decor Surfaces	Page 50
Special equipment	Page 51
Door Sizing	Page 58



Multi-function door

Design

Door leaf

Sheet thickness

Rebate type

D65-1 OD

Fully bonded composite construction

65 / 59 mm

1.0 / 1.5 mm

Thin / thick rebate / flush

D65-2 OD

Fully bonded composite construction

65 / 59 mm

1.0 / 1.5 mm

Thin / thick rebate / flush

Fitting in

Brickwork	≥ 115 mm	≥ 115 mm
Concrete	≥ 100 mm	≥ 100 mm
Gas concrete blocks	≥ 150 mm	≥ 175 mm
Gas concrete slabs	≥ 150 mm	≥ 175 mm
Prefabricated walls according to DIN 4102-4, Tab. 48	≥ 100 mm	≥ 100 mm
Prefabricated walls according to DIN 4102-4, Tab. 49	≥ 130 mm	≥ 130 mm

Additional functions / performance characteristics

Thermal insulation U_D	1.2 W/(m ² ·K)*		1.3 W/(m ² ·K)*	
Acoustic rating category	I (Standard)	II (Optional)	I (Standard)	III (Optional)
With bottom profile with seal	33 dB	38 dB** / 40 dB***	33 dB	-
With retractable bottom seal	32 dB	37 dB** / 39 dB***	32 dB	44 dB**
With threshold rail with seal	33 dB	38 dB** / 40 dB***	33 dB	43 dB**
With all-round frame on 4 sides	33 dB	38 dB** / 40 dB***	33 dB	43 dB**

* For a door without glazing or top panel

** Doors with 1.0 mm sheet thickness

*** Doors with 1.5 mm sheet thickness

Size range	D65-1 OD		D65-2 OD	
	Width	Height	Width	Height
Nominal size (ordering size)	500 – 1250	1500 – 2500	1375 – 2500	1750 – 2500
With fixed top panel		– 3500		– 3500
Traffic leaf width			750 – 1500	
Fixed leaf width			500 – 1500	

All dimensions in mm

43

Wittenstein Innovationsfabrik, Igersheim-Harthausen
Architect: HENN Architekten, Munich



Hörmann products

- Steel fire-rated doors H3
- Fire sliding doors FST
- Steel fire-rated doors STS
- High-speed doors V 5015 SEL
- Industrial sectional doors SPU F42

Steel door

D65

Single and double-leaf



Thin rebate
Door leaf thickness
65 mm



Main function
Multi-purpose door

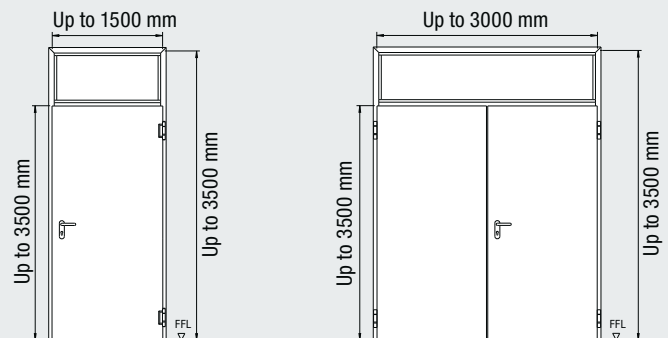
Additional function
(with corresponding
equipment)



Acoustic-rated
Acoustic values from
38 – 45 dB



Use in exterior walls
Labelled according to
DIN EN 14351-1



Steel door	D65-1	D65-2	
Design	Welded design	Welded design	
Door leaf	65 mm	65 mm	
Sheet thickness	1.5 mm	1.5 mm	
Rebate type	Thin rebate	Thin rebate	
Fitting in			
Brickwork	●	●	
Concrete	●	●	
Gas concrete blocks	●	●	
Gas concrete slabs	●	●	
Partition walls	●	●	
Additional functions / performance characteristics			
Thermal insulation U_D	1.8 W/(m ² ·K)	1.7 W/(m ² ·K)	
Acoustic rating category	II	III	-
With bottom profile with seal	40 dB	-	-
With retractable bottom seal	38 dB	-	-
With threshold rail with seal	-	45 dB	-
Wind load	Class C5	Class C2	
Water tightness under heavy rain	Class 1A – 7A	Class 4A	
Air permeability	Class 3 – 4	Class 2	
Operating forces	Class 2 – 4		
Mechanical strength	Class 4		
Differential climate behaviour	Class 2(d) – 3(e)	Class 1	

The listed values depend on the door features and fitting situation

Size range	D65-1		D65-2	
	Width	Height	Width	Height
Nominal size (ordering size)	625 – 1500	2500 – 3500	1250 – 3000	2500 – 3500
With fixed top panel		– 3500		– 3500
Traffic leaf width			750 – 1500	
Fixed leaf width			500 – 1500	

All dimensions in mm

45

Optional extras

Glazings	Page 46
Fixed top panels	Page 48
Special equipment	Page 51
Door Sizing	Page 58

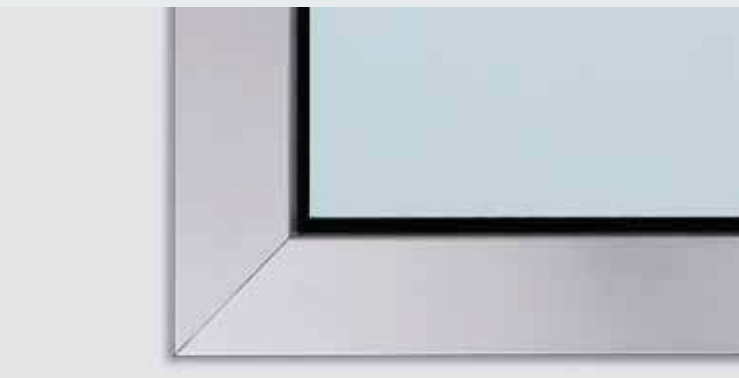
More design options provided by glazings



Steel profile in Grey white



Stainless steel profile

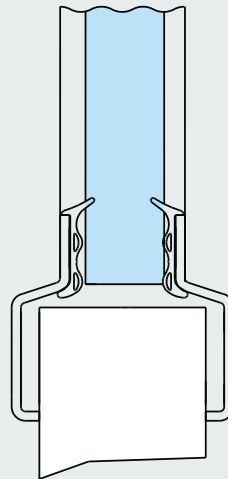
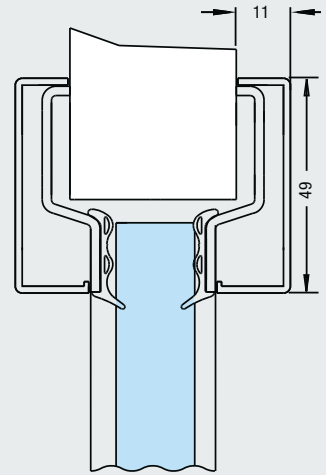
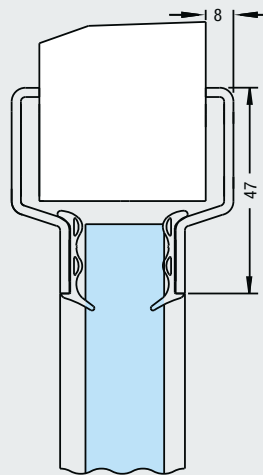


Aluminium cover profile

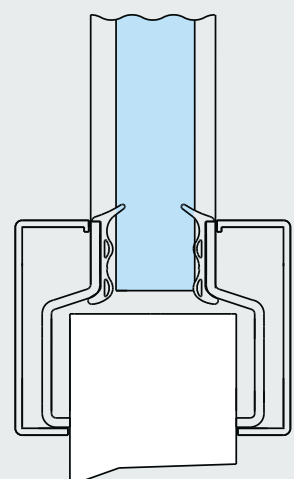
Aluminium or steel glazing frame

As standard, glazing profiles are supplied in galvanized steel, with powder-coated primer in Grey white (similar to RAL 9002).

On request, the profiles are also available in brushed stainless steel and rectangular glazing with aluminium cover profiles anodized with a natural-finish (F1).

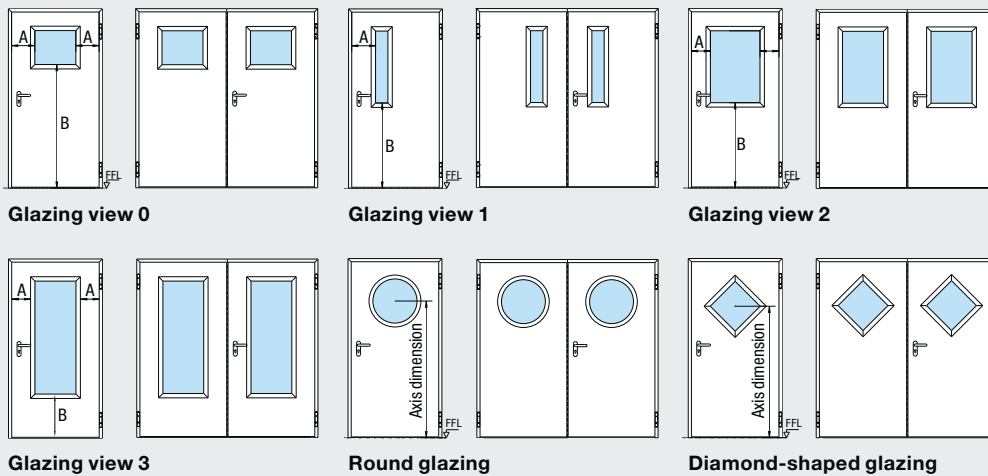


Steel profile



Aluminium cover profile

Glazing is supplied in a standard size that matches the door size proportionally and provides for an attractive look and uniform appearance with its slim profiles. Lever handles do not disturb the line of sight through the glass.

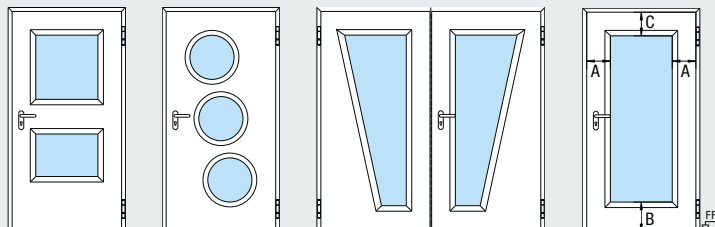


	H3D	H3 VM	H3 OD	H3G	H3 OD RC 2	H6	H6 RC 2	H16	H16 OD	H16 G Single-leaf	H16 RC 2	RS 55	D65 D65 OD
Version – (● – Standard, ○ – Optional by glazing to choose)													
View 0	○	○	○	○	○	○	○	○	○	○	○	○	●
View 1	●	●	●	●	●	●	●	●	●	●	●	●	●
View 2	●	●	●	●	●	●	●	●	●	●	●	●	●
View 3	●	●	●	●	●	●	●	●	●	●	●	●	●
Round glazing	●	●	●	●	●	●	●	●	●	●	●	●	●
Diamond-shaped glazing	○	○	○	○	○	○	○	○	○	○	○	○	●
Glazing to choose	●	●	● ¹⁾	●	●	●	●	●	●	●	●	●	●

¹⁾ Round glazings not possible for STS 90 and STU 90!

Special glazing available on request

Besides the glazing referred to above we also supply special single or multi-pane glazing in various forms and arrangements within the permitted distances to the sides, bottom section heights and glazing size ranges.



Glazing to choose

Minimum distance to side	A – distance to side	B – bottom section height from FFL	C – distance to side, top
H3D	215	440	215
H3-1 OD	215	225	215
H3-2 OD	241	231	241
H3 G	215	965	215
H3 OD RC 2	215	965	215
H6	215	270	215
H6 RC 2	215	965	215
H16	215	270	215
H16 G-1	215	965	215
H16 RC 2	215	965	215
STS/STU	215*	215*	215*
RS 55	215	225	215
H16 OD	265	500	470
D65, D65 OD	215	225	215
RC 2, RC 3 D65 OD	215	965	512

* Minimum distance to side of 160 mm also possible on request

Room-High Door View Through Fixed Top Panels

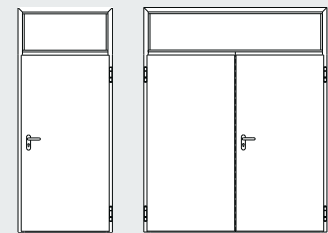
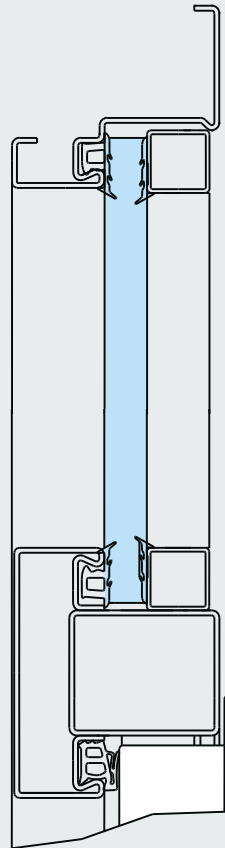


The fixed top panel allows you to individually design room-high doors for your facility. They offer a harmonious look thanks to the surrounding vertical frame profiles.

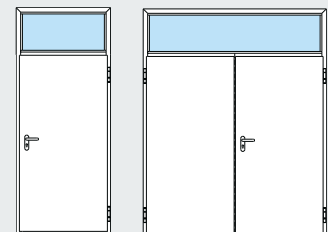


All ventilation grilles consist of safety sheet metal with an internal perforated steel sheet. They are supplied galvanized and with powder-coated primer in Grey white (similar to RAL 9002).

Fixed top panels



With steel panel
Height Min. 250 mm
Max. 1000 mm

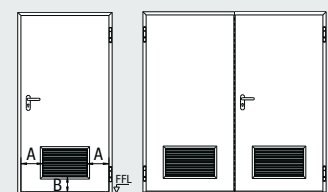
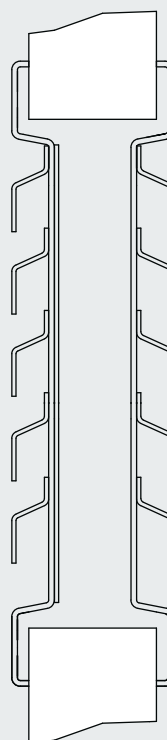


With glazing
Height Min. 250 mm
Max. 1000 mm

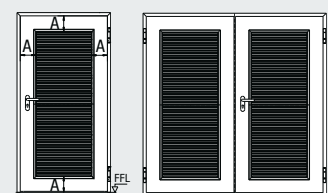


With ventilation grille
Height Min. 250 mm
Max. 1000 mm

Ventilation grilles



Grille height: 365 mm
Distance to side A: 220 mm
Bottom section height B: 180 mm



Size to choose
Distance to side A: At least 180 mm
Width: Min. 250 mm
Max. 1140 mm
Height: Min. 250 mm
Max. 2395 mm
For break-in-resistant doors
Width: Max. 800 mm
Height: Max. 1370 mm

Overview of Glazings, Ventilation Grilles and Fixed Top Panels

	H3D	H3 OD	H6	H16 OD	H16	HS75	H16 S	RS55	D65 OD RC 2	D65 OD RC 3	D65 OD	D65
Glazing variations (see page 46 – 47)												
Rectangular glazing view 0	○	○	○	○	○			○	○	○	●	●
Rectangular glazing view 1	● ¹⁾	●	●	●	●			●	○		●	●
Rectangular glazing view 2	● ¹⁾	●	●	●	●			●	○	○	●	●
Rectangular glazing view 3	● ¹⁾	● ¹⁾	● ¹⁾	● ¹⁾	● ¹⁾			●	○	○	○	○
Round glazing	● ¹⁾	● ¹⁾	● ¹⁾	● ¹⁾	● ¹⁾			●			●	●
Diamond-shaped glazing	○	○	○	○	○			○	○		●	●
Flush-fitting glazing to choose		○										
Glazing to choose Please note the maximum measurements on page 47	○	○	○	○	○			○	○	○	○	○
Ventilation grille (see page 48)												
Standard									●		●	●
Size to choose									●		●	●
Fixed top panel (see page 48)												
Steel panel/fire protection panel		● ²⁾							●		●	●
Glazing		● ²⁾	● ³⁾						●	● ⁴⁾	●	●
Ventilation grille											●	●
Types of glass												
Promaglas 30 clear, 17 mm ⁵⁾	●	●										
Promaglas 30 clear P4A, 21 mm (WK 2 / RC 2) ⁵⁾		●										
Promaglas 60 clear, 21 mm ⁵⁾			●									
Promaglas 90 clear, 37 mm ⁵⁾				●	●							
P6B safety glass, 18 mm (WK 2 / RC 2)									●			
P7B safety glass, 28 mm (WK 3 / RC 3)										●		
Wired glass 6 mm*								○			○	○
Insulated wired glass / laminated safety glass 20 mm*								○			○	○
Laminated safety glass VSG 6 mm								●			●	●
Single-pane safety glass ESG 6 mm								○			○	○
Wired plate glass 7 mm*								○			○	○
Wired compound security glass 6 mm*								○			○	○
Prepared for on-site glass (6 mm or 20 mm)											○	○

● Standard

○ Optional by glazing to choose

¹⁾ Not for break-in resistant doors

²⁾ Up to WK 2 / RC 2

³⁾ Only single-leaf

⁴⁾ Up to WK 3 / RC 3

⁵⁾ Not suitable for use outside or in direct sunlight

Glazings, ventilation grilles or fixed top panels are not available for break-in resistant doors with WK 4 / RC 4.

Fire-rated doors with glazings must be equipped with a door closer.

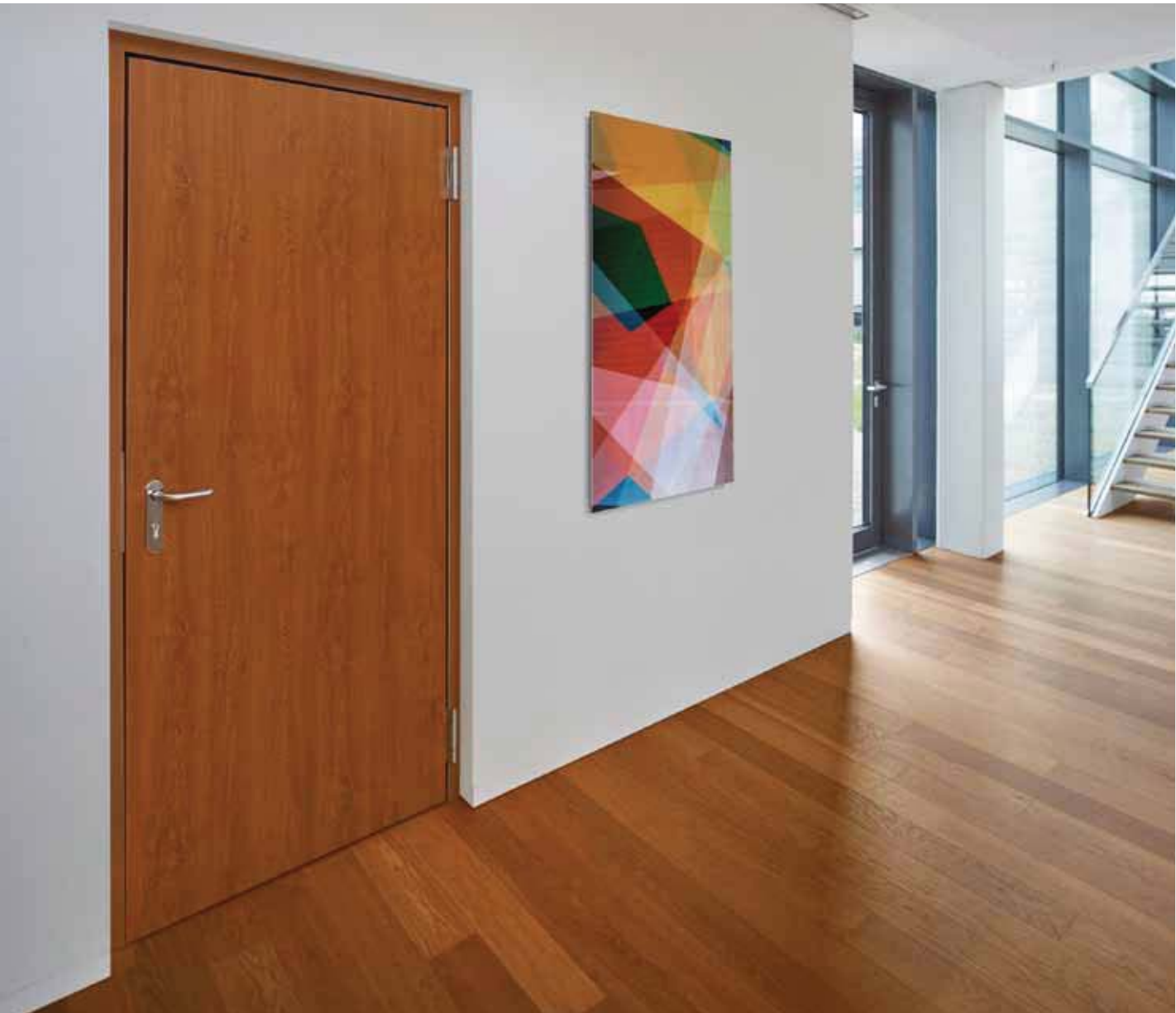
A fixed top panel is not possible with DryFix frames or corner and profile frames with diagonal fixing, as well as double-shell profile frames!

Thermal insulation values do not apply to doors with glazing or fixed top panels.

* Please note that the use of wired glass is not permitted as per workplace regulations and accident prevention regulations, depending on the building use.

Decor surfaces

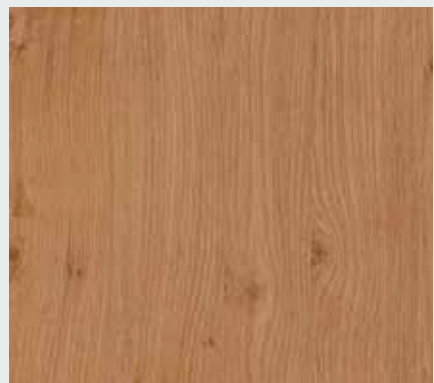
For H3 OD and D65 OD



Golden Oak



Dark Oak



Winchester Oak

The UV-resistant film coating gives the door an authentic, natural timber look. The frame can optionally be powder-coated in the basic colour of the timber.

Special equipment

For barrier-free construction, an exclusive appearance and increased comfort



Hörmann door operator HDO 200 // NEW

Perfectly matched system – door and operator
from a single source

**25 % less expensive
than similar operators**



HDO 200 with sensor strip

Hörmann automatic hinged doors with operator HDO 200 can be used in universal applications. Thanks to their quiet operation, they are particularly suitable for hospitals and offices. In addition, the automatic doors feature convenient opening, allowing for barrier-free passage. Speed control ensures a uniform opening and closing speed. An integrated programme switch allows for custom settings. You can conveniently operate the automatic door via a button, radar / movement detector or operating elements with BiSecur radio technology.

- Convenient opening for barrier-free passages
- Quiet operation, therefore suitable for many applications, e.g. in offices or hospitals
- Speed control ensures a uniform opening and closing speed
- Operating modes: “automatic”, “permanently open”, “night”, “closing time”
- Integrated programme switch for “off”, “automatic” and “permanently open”
- Operation via buttons, radar / motion detector, etc.
- Optionally with BiSecur radio technology that can be operated via all Hörmann hand transmitters, radio control elements, radio internal push buttons or BiSecur app



Door and operator from a single source

The door and operator are supplied as a perfectly matched all-in-one system. We supply the door and operator, including the required fitting material, from a single source. This simplifies and accelerates door fitting and commissioning.

Do you have a specific requirement? Then Hörmann is the right partner for you.



Locks

In addition to the normal use of a door, the facility frequently requires special lock functions or additional locks.

Optional special and additional locks:

- Anti-panic locks with different functions
- Double cylinder lock (locked with 2 different cylinders)
- Bolt lock, additionally prepared for profile cylinder
- Block lock
- Motor lock
- Anti-panic lock, self-locking



Electrical equipment

In the facility, door systems are often equipped with alarm, escape-route security or access control systems.

Various components are available according to your needs:

- Latch contact
- Reed contact
- Electric door strikes
- Escape door opener
- Alarm wire mesh
- Motor lock
- Door lock
- Electronic alarm contact elements
- Concealed electro duct



Emergency exit locks Panic door locks

Specific hardware and lock fittings are stipulated for escape doors according to DIN EN 179 and DIN EN 1125. Hörmann offers you a wide range of different equipment for your respective needs.

Emergency exit locks according to DIN EN 179

- Fittings in the form of anti-panic or lever/knob handle sets with short or rose escutcheon with matching handles
- Anti-panic lock DIN EN 179
- Self-locking or motorised anti-panic lock

Panic locks according to DIN EN 1125

- Fittings with a push bar or a touch bar combined with a variety of lever handle sets tested acc. to DIN EN 1125
- Anti-panic lock DIN EN 1125 with different functions
- Up to RC 3 (double-leaf) or RC 4 (single-leaf)

Hörmann overhead door closers

The right solution for any requirement



Overhead door closer HDC 35

With compensator function, smoke sensor control or electromechanical hold-open device – Hörmann offers the right overhead door closer with the corresponding equipment for every door situation. The products convince not only when it comes to quality, but also comfort and design.

HDC 35

Standard slide rail door closer for single-leaf doors

TS 4000

Linkage door closer with restrained opening

TS 5000

Slide rail door closer

TS 5000 EC-Line

Slide rail door closer with optimum passage convenience and a high closing force

TS 5000 ISM

Slide rail door closer with integrated door leaf selector for double-leaf doors

TS 5000 E

Slide rail door closer with electromechanical hold-open device

TS 5000 E-FS

Slide rail door closer with compensator function

TS 5000 R

Slide rail door closer with electromagnetic hold-open device and smoke sensor control

TS 5000 R-FS

Slide rail door closer with compensator function and smoke sensor control

TS 5000 E-ISM

Slide rail door closer with electromechanical hold-open device and integrated door leaf selector for double-leaf doors

TS 5000 R-ISM

Slide rail door closer with electromagnetic hold-open device and smoke sensor control and integrated door leaf selector for double-leaf doors



Overhead door closer TS 4000



Overhead door closer TS 5000



Overhead door closer TS 83

TS 83

Linkage door closer

TS 93

Slide rail door closer

TS 93 GSR

Slide rail door closer with door leaf selector and continuous slide rail

TS 93 EMF / EMR

Slide rail door closer with electromagnetic hold-open device and smoke sensor control

TS 93 GSR EMF2

Slide rail door closer with door leaf selector and electromechanical hold-open device in both leaves

TS 93 GSR EMR2

Slide rail door closer with door leaf selector, electromagnetic hold-open device in both leaves and integrated smoke switch control unit

ITS 96

Integrated slide rail door closer

ITS 96 GSR

Integrated slide rail door closer with door leaf selector

ITS 96 EMF

Integrated slide rail door closer with electromechanical hold-open device

TS 99 FL

Slide rail door closer with door leaf selector, electromechanical hold-open device in the fixed leaf and additional compensator function in the traffic leaf

TS 99 FLR

Slide rail door closer with door leaf selector, electromechanical hold-open device in the fixed leaf and additional compensator function in the traffic leaf and smoke switch control unit



Overhead door closer TS 93 / TS 99



Integrated overhead door closer ITS 96

Lever handle sets

In line with your individual wishes



FS lever handle set D-110



FS lever handle set D-190

Hörmann multi-function doors are available as standard with a black plastic handle with short escutcheon, prepared for profile cylinder and deadlock key (not shown). Optionally, we supply our multi-function doors with high-quality object lever handle sets made of aluminium or stainless steel from the factory.

FS lever handle set D-110

With object sliding bearing in aluminium or stainless steel
With object ball bearing in stainless steel

FS lever handle set D-190

With object sliding bearing in stainless steel



FS lever handle set D-210



FS lever handle set D-310

FS lever handle set D-210

With object sliding bearing in aluminium or stainless steel

FS lever handle set D-310

With object sliding bearing in aluminium or stainless steel
With object ball bearing in stainless steel

FS lever handle set D-330

With object sliding bearing in aluminium or stainless steel
With object ball bearing in stainless steel

FS lever handle set D-410

With object sliding bearing in aluminium or stainless steel
With object ball bearing in stainless steel



FS lever handle set D-330



FS lever handle set D-410

FS lever handle set D-490

With object ball bearing in stainless steel

FS lever handle set D-510

With object sliding bearing in aluminium or stainless steel
With object ball bearing in stainless steel



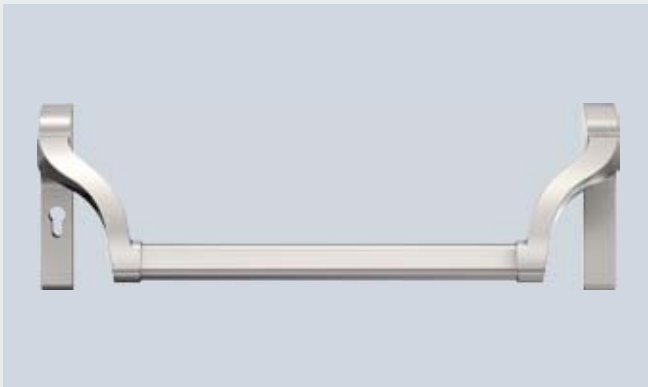
FS lever handle set D-490



FS lever handle set D-510

Panic locks / door stops

For complete door equipment



Hörmann push bar

- The largely offset lever arm for use in electronic locking cylinders and for short distances between PC
- Very stable bar handle
- Surfaces: stainless steel, coated with silver aluminium F1, coated black / red (based on EPN 900 IV Alu)
- Tested in accordance with EN 1125, EN 1634, EN 1191



Hörmann touch bar

- Can be used as a locking system acc. to EN 1125
- Surface finish: stainless steel, aluminium F1, coated
- Tested in accordance with EN 1125, EN 1634



Door stop BS 55



Door stop BS 44



Door stop BS 45



Door stop BS 65



Door stop WS 46



Door stop WS 96



Door stop WS 76



Door stop WS 82

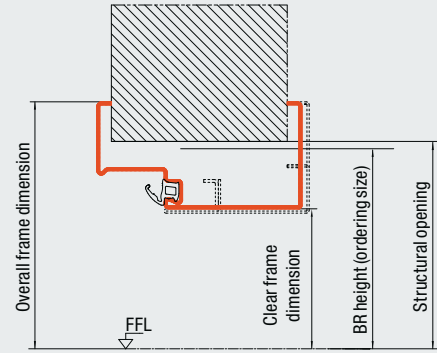
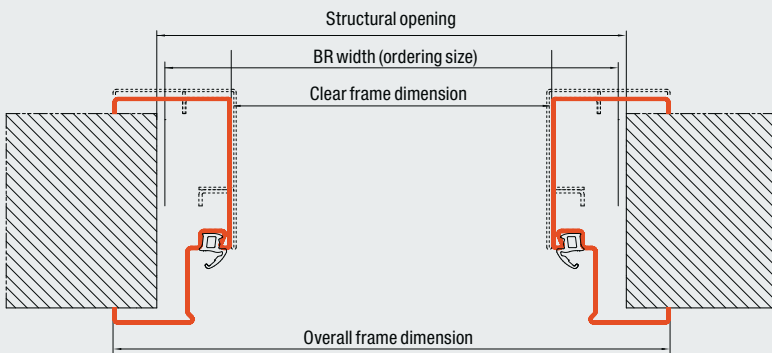
Floor door stop BS

Stainless steel

Wall door stop WS

Stainless steel

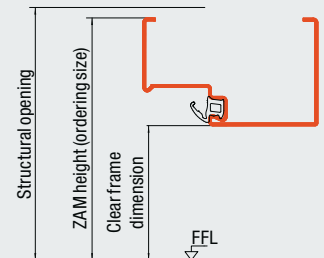
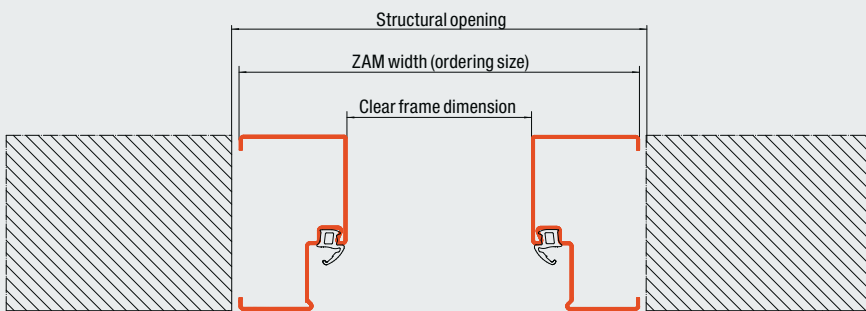
Door Sizing



	3-sided all-round frame (doors / hatches)		4-sided all-round frame (door)		4-sided all-round frame (hatch)	
	BR width	BR height	BR width	BR height	BR width	BR height
Doors / hatches with corner frame / DryFix frame / corner with counter frame / 1-part profile frame						
Clear frame dimension	- 82	- 42	- 82	- 70	- 82	- 82
Overall frame dimension	+ 64	+ 31	+ 64	+ 76	+ 64	+ 64
Structural opening	+ 0 to 20	+ 0 to 15	+ 0 to 20	+ 0 to 15	+ 0 to 20	+ 0 to 15
Doors / hatches with double-shell profile frame						
Clear frame dimension	- 90	- 46	- 88	- 76	- 88	- 88
Overall frame dimension	+ 64	+ 31	+ 64	+ 76	+ 64	+ 64
Structural opening	+ 0 to 20	+ 0 to 15	+ 0 to 20	+ 0 to 15	+ 0 to 20	+ 0 to 15

Doors and hatches with profile frames for partition walls: Nominal size = structural opening

All dimensions in mm.



	3-sided all-round frame (doors / hatches)		4-sided all-round frame (doors / hatches)	
	ZAM width	ZAM height	ZAM width	ZAM height
Doors / hatches with block frame (fitting in the opening)				
Clear frame dimension	- 146	- 73	- 146	- 146
Structural opening	+ 10 to 20	+ 20	+ 10 to 20	+ 20

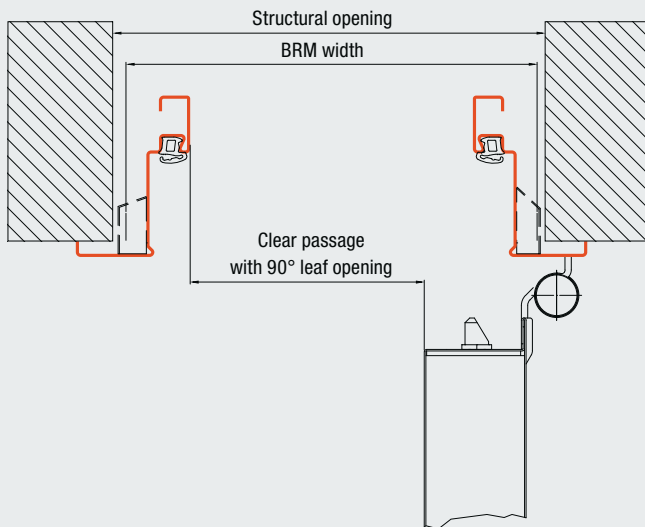
All dimensions in mm.

Clear passage widths

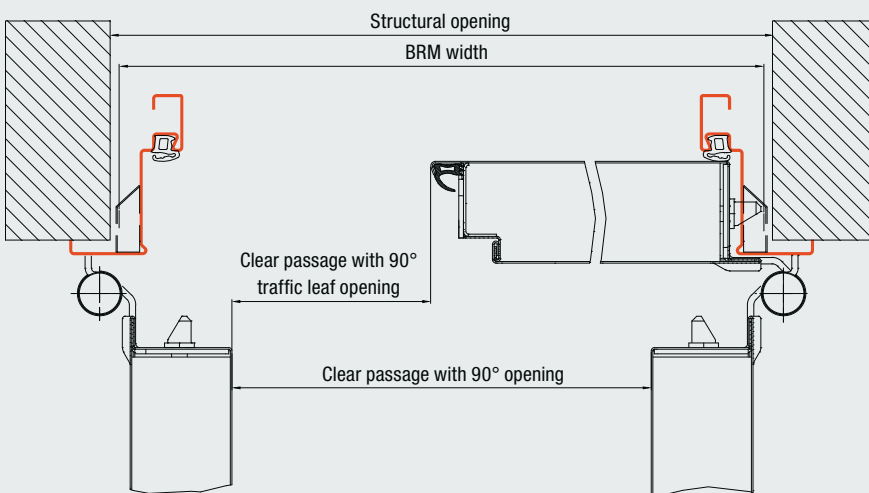
Clear passage widths

At an opening angle of 90°, without fittings

Single-leaf door



Double-leaf door



	Single-leaf door	Double-leaf door	Double-leaf door, traffic leaf
Door leaf thickness			
45 mm, thin rebate	BRB – 93	BRB – 104	BRB – 95
55 mm, thick rebate	BRB – 93	BRB – 104	BRB – 95
55 mm, thin rebate	BRB – 103	BRB – 124	BRB – 109
65 mm, thick rebate	BRB – 103	BRB – 124	BRB – 109
65 mm, thin rebate	BRB – 113	BRB – 144	BRB – 109
65 mm, flush	BRB – 107	BRB – 132	BRB – 103
75 mm, thick rebate	BRB – 105		
78 mm, thin rebate	BRB – 170	BRB – 170	BRB – 122

All dimensions in mm

Technical details

	H3D	H3 OD		H3 G	H3 VM	H3 KT	H6		H16 OD		
	Single-leaf	Hatch	Single-leaf	Double-leaf	Single-leaf	Double-leaf	Single-leaf	Hatch	Single-leaf	Double-leaf	Hatch
Main function											
Standard	T30 fire-retarding	T30 fire-retarding		T30 fire-retarding	T30 fire-retarding	T30 fire-retarding	T60 high fire resistance		T90 fire-proof		
Standard additional function											
Thermal insulation $U_p = W/(m^2 \cdot K)$	1.9	1.2	1.2	1.3	2.0	2.0	1.9	1.8	1.8	1.8	1.2
Additional functions with corresponding equipment											
Smoke protection	●	●	●	●	●		●	●	●	●	●
Acoustic rating (dB)	37–44	32–40	32–40	32–44		38–42	38–45		38–43	37–45	34–44
Break-in-resistant (WK 2 / RC 2)	●		●	●		●	●		●	●	
Break-in-resistant (WK 3 / RC 3)			●	●		●	●				
Break-in-resistant (WK 4 / RC 4)			●				●				
Door leaf											
Leaf thickness	45	65/59	65/59	65/59	65	55/65	55/65	65	65		65
Sheet thickness	1.0	1.0	1.0/1.5	1.0/1.5	1.5	1.0/1.5	1.0/1.5	1.0	1.0/1.5		1.0
Rebate type											
Thin rebate	●	●	●	●	●	●	●	●	●	●	●
Thick rebate			●	●		●	●		●		
Flush		●	●	●							
Frame variants											
Corner frame	●	●	●	●	●	●	●	●	●	●	●
Counter frame	●	●	●	●	●	●	●	●	●	●	●
DryFix frame		●	●	●		●	●				●
Profile frame (double-shell)		●	●	●		●	●	●	●	●	●
Profile frame	●	●	●	●	●	●	●	●	●	●	●
Block frame for fitting in the opening	●	●	●	●	●	●	●	●	●	●	●
Approved for fitting to:											
Brickwork	●	●	●	●	●	●	●	●	●	●	●
Concrete	●	●	●	●	●	●	●	●	●	●	●
Gas concrete, stone slabs or concrete precision blocks	●	●	●	●	●	●	●	●	●	●	●
Gas concrete slabs, reinforced, horizontal or vertical	●	●	●	●	●	●	●	●	●	●	●
Prefabricated walls made of gypsum boards	●	●	●	●	●	●	●	●	●	●	●
Nominal size											
Width	625	500	625	1375	875	1375	625	500	625	1375	500
	–	–	–	–	–	–	–	–	–	–	–
	1125	1250	1500	2500	1500	2500	1125	1250	1250	2500	1250
Height	1750	500	1750	1750	2500	2500	1750	500	1750	1750	500
	–	–	–	–	–	–	–	–	–	–	–
	2250	1749	2500	2500	3250	2500	2250	1749	2500	2500	1749
Door set with fixed top panel											
Maximum door set height BR			3500	3500		3500			3500		
Maximum door leaf height			2500	2500		2500			2500		

All dimensions in mm

60

H16 OD		H16		H16 G		HS 75	H16 S	RS55		D65 OD		D65	
Single-leaf	Double-leaf	Single-leaf	Double-leaf	Single-leaf	Double-leaf	Single-leaf	Single-leaf	Single-leaf	Double-leaf	Single-leaf	Double-leaf	Single-leaf	Double-leaf
T90 fire-proof		T90 fire-proof		T90 fire-proof		High acoustic rating	High acoustic rating T90 fire-proof Smoke-tight		Smoke-tight		Break-in-resistant		
1.2	1.3	1.8	1.7	1.8		2.1	2.1	1.9	2.0	1.2	1.3	1.8	1.7
● 34-44	● 34-43	● 38-43	● 37-45	●		● 50-53	● 50-53			● 32-40	● 32-44		
●	●	●	●			●	●			●	●		
●		●								●	●		
●		●								●			
65 1.0/1.5	65 1.0	65 1.0/1.5	65 1.5	78 1.5	75 1.0	75 1.0	75 1.0	55 1.0/1.5	65/59 1.0/1.5	65 1.5			
●	●	●	●	●	●			●				●	
●	●	●				●	●	●		●			
●		●		●		●	●	●		●		●	
●		●	●	●	●	●	●	●		●	●	●	●
●		●	●	●	●	●	●	●		●	●	●	●
●		●	●	●	●	●	●	●		●	●	●	●
625 - 1250	1375 - 2500	625 - 1250	1375 - 2500	875 - 1500	1500 - 3000	625 - 1250	625 - 1250	625 - 1250	1375 - 2500	625 - 2500	1375 - 2500	625 - 1500	1250 - 3000
1750 - 2500	1750 - 2500	1750 - 2500	1750 - 2500	2000 - 3250	2000 - 3250	1750 - 2250	1750 - 2250	1750 - 2500	1750 - 2500	1750 - 2500	1750 - 2500	2500 - 3500	2500 - 3500
								3500 2500	3500 2500	3500 2500	3500 2500	3500 3250	3500 3250

All dimensions in mm