

Markilux pergola Technical Brochure



EMAIL: ENQUIRIES@SAMSONAWNINGS.CO.UK
TELEPHONE: (01933) 448844
MON - FRI 8:30AM - 5:30PM



Awning System

markilux pergola

Exceptional sun and wet weather protection for large areas.



markilux.com

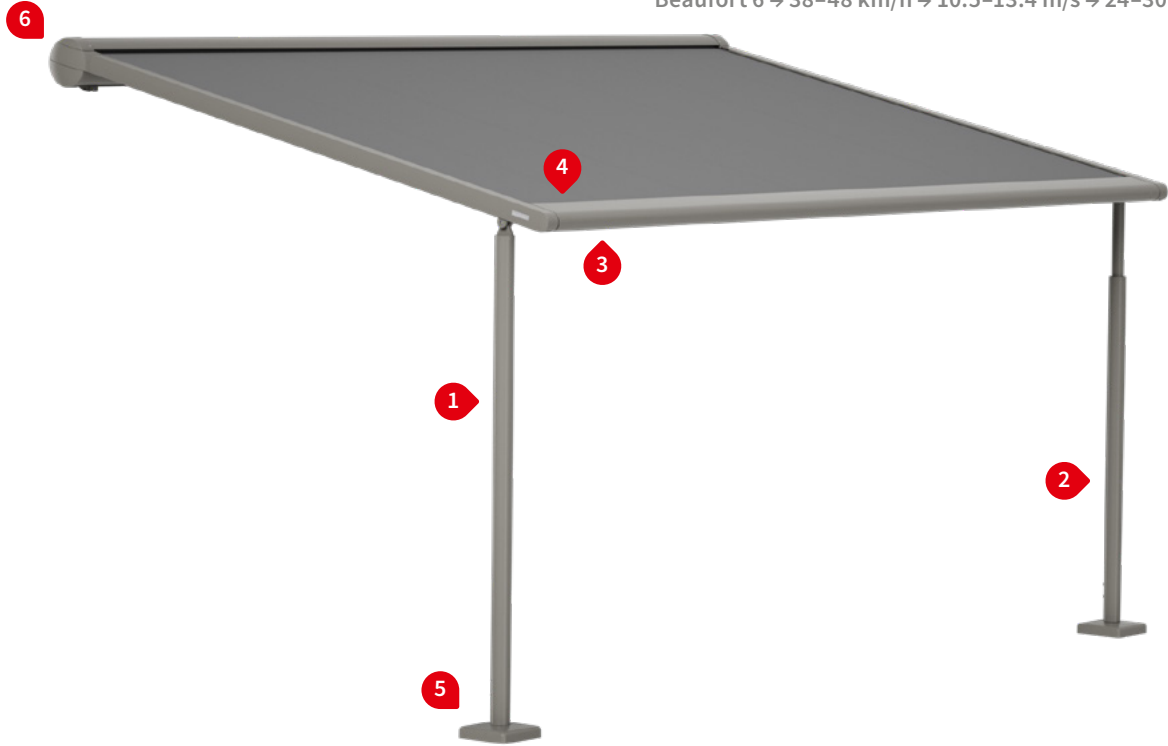
markilux
safe timeless beautiful

01 Product characteristics

Wind resistance class 3

Beaufort 6 → 38–48 km/h → 10.5–13.4 m/s → 24–30 mph

02
03
04
05
06
07



1 version with square or round support posts



2 Adjustable post ¹⁾ manual or motor operation



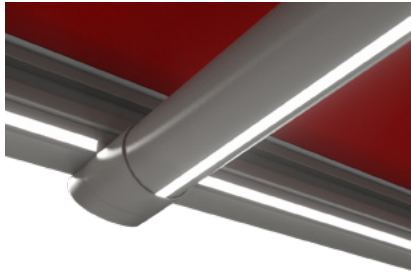
3 drop valance, during extension ¹⁾



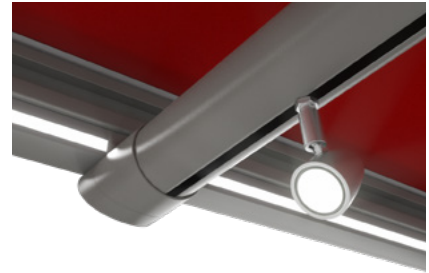
4 solar module sundrive, radio-controlled drop valance operation ¹⁾



LED line in the guide track and cover support tube ¹⁾



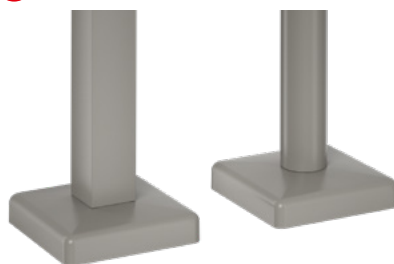
combination of LED-Line and LED-Spots ¹⁾



post with stabilisation box ¹⁾



5 standard footplate covers ¹⁾



6 wall sealing profile ¹⁾



¹⁾ optional configuration

Product characteristics

Description

- The awning system on slender posts and with lateral guide tracks provides generous shade with an extension of up to 6 metres and for areas up to 30 m² with a single unit. Thanks to the tracfix cover guidance system, the sophisticated tensioning technology and its sturdy construction, the system can be used up to Beaufort 6 (wind resistance class 3).

Special features

- fully encompassing cassette that protects the cover perfectly
- the tried and tested tensioning system – with drive belts and integrated gas pistons – delivers optimum cover tension in any phase of extension
- with tracfix system, the continuous lateral cover guidance system that leaves no gap between the cover and guide tracks
- option of shadeplus – vertical protection against low-lying sun, wind and inquisitive glances integrated into the front profile, can be operated manually or solar driven by radio remote control (433 MHz)
- various lighting combinations available: light strip LED-Line in the guide tracks, LED-Line in the cover support tube or LED-Spots fitted to the cover support tube – individually configurable lighting options providing a pleasant atmosphere in the evening
- an optional telescopic post, manual or motor operation, ensures optimised water drainage during rain, even at a low minimum pitch of 7°
- support posts optionally with round or square shaped profiles, incl. screw-on footplates or stabilisation boxes for flexible installation
- can be combined perfectly with the awning systems markilux construct, markilux syncra, vertical blinds markilux 876 tracfix, markilux 776 tracfix, side screen markilux 790

Dimensions

- single unit: 67–600 cm in width, maximum extension 600 cm (depending on the width)
- maximum dimensions width × extension: 500 × 600 cm / 550 × 500 cm / 600 × 450 cm
- coupled units up to 5 fields wide are available
- intermediate sizes are available

Roller tube and lateral bearings

- round roller tube Ø 95 mm with keyway, galvanised steel – excellent stability, ensures near perfect cover performance even at the largest widths
- the roller tube bearing is made of die-cast aluminium

Awning profiles

- extruded aluminium, in façade quality, powder coated
- cassette profile in two pieces, round, Ø 187 mm
- angular guide tracks, width × height 60 mm × 70 mm (coupling guide track 116 × 70 mm)
- front profile rounded at the front, depth × height 150 mm × 70 mm

Side caps

- the cassette end caps with opening for guide tracks are made of die-cast aluminium, powder coated
- the top maintenance cover is made of high-quality plastic, powder coated
- the front profile end caps are made of high-quality plastic, powder coated

Fixture brackets and support posts

- extruded aluminium, powder coated
- cassette brackets: face fixture, top fixture, eaves fixture
- support post round Ø 70 mm or square 70 × 70 mm, standard height 250 cm, heights up to 300 cm are available
- screw-on footplate 200 × 200 mm
- footplate cover 212 × 212 mm in one piece, height 48 mm, is made of die-cast aluminium, rounded corners
- a version of the support posts with optional stabilisation box 600 × 600 mm, height 525 mm, for versatile installation is available

N.B! For additional information and configuration options, please view chapter “General Information” and “markilux Optional Accessories” in the volume “Design blinds for windows | Glass roof awnings”.

01 Frame colours

markilux frame colours without surcharge

02

traffic white, RAL 9016

metallic aluminium, RAL 9006

grey brown, similar to RAL 8019

03



04

05

06

07

off-white textured finish, 5233 ¹⁾

stone grey metallic, 5215 ¹⁾

anthracite metallic, 5204 ¹⁾



Havana brown textured finish, 5229 ¹⁾



Non-standard powder-coated finish

Bespoke frame colours at a surcharge – matt, metallic and pearl finishes as well as other colour ranges (DB, Tiger etc.) on request. All frame colours are available at a surcharge with enhanced corrosion protection.

Colours may differ slightly from those depicted in both hue and finish.

1) textured finish

Dimensions and configuration options

Single unit


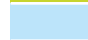

	Awning fixture width										Minimum fixture width	
	150 ¹⁾	200 ¹⁾	250	300	350	400	450	500	550	600	Hard-wired motor	Radio-controlled motor
Order dimensions	67 ²⁾	151	201	251	301	351	401	451	501	551		
	150	200	250	300	350	400	450	500	550	600		
Overall awning width	+10	+10	+10	+10	+10	+10	+10	+10	+10	+10		
H	150 ¹⁾										73 ²⁾	83 ²⁾
	200											
	250											
	300											
	350											
	400											
	450											
	500											
	550											
	600											

dimensions in cm

1) = only pergola **with fixed posts**

2) = 94 cm for drop valance with sundrive solar panel

H = *order dimension* = extension

 = optional version: adjustment range of telescopic post 20 cm
 = optional version: adjustment range of telescopic post 30 cm
 = optional version: adjustment range of telescopic post 40 cm

The minimum pitch that will ensure water drainage

	extension ≤ 250 cm	extension ≥ 251 ≤ 350 cm	extension ≥ 351 ≤ 450 cm	extension ≥ 451 cm
Unit with fixed posts, without shadeplus	14°	14°	14°	14°
Unit with fixed posts, with shadeplus	17°	17°	17°	17°
Unit with telescopic post, with / without shadeplus	7°	8°	9°	10°

Operation

	standard	optional
manual operation	—	—
hard-wired motor	✓	—
silentec motor (optionally with an external io / RTS receiver) ¹⁾	—	✓
radio-controlled motor io, 868 MHz	—	✓
radio-controlled motor RTS, 433 MHz	—	✓

1) only available for awnings with 1 field and 2 fields, 2 motors

Awning cover	Fabric pattern no.	Standard	Optional
sunvas ^{1) 6)}	301.. / 309..-315..	✓	—
perla ^{1) 5)}	370..	—	✓
sunsilk ^{1) 6)}	324.. / 325.. / 328.. / 369..	✓	—
perla FR ^{1) 5)}	374.. / 375..	—	✓
perfortex ²⁾	331.. / 332..	✓	—
transolair	338.. ³⁾ / 339.. ¹⁾	—	✓
vuscreen Alu	317..	—	—
Soltis Perform 92 ⁴⁾	92-20..	—	✓
Glass fibre screen	272..	—	—

Standard fabric panel widths

1) 60 cm 2) 120 cm 3) 84 cm

4) 88.5 cm 5) Only with tracfix

6) In the case of striped patterns, an even repeat at every second seam in the seam area is not possible.

Coupled awning

2-5 fields, 1 motor per field
Alternatively 2 fields 1 motor / 3 fields 2 motors / 4 fields 2 motors
Maximum size per field: see "single unit" dimensions

General notes

Different field extensions are available in a coupled awning. The rolling up behaviour of the covers may vary in coupled awnings that have different field sizes. This does not effect the functionality of the awning or shorten the service life of the covers.

The option of having telescopic posts in awnings with 3-5 fields is only available on request.

Shadeplus^{1) 2)}

	Standard	Optional
Height 230 cm (manual operation, winding handle)		
Height 230 cm (motor operation, depending on the fabric series chosen)		
Winding handle	✓	—
Hard-wired motor	—	—
Radio-controlled motor io, 868MHz	—	—
Radio-controlled motor, 433 MHz, RTS with sundrive	—	✓
Cover sunvas / sunsilk / transolair / vuscreen Alu / Soltis Perform 92		

1) Shadeplus cover is narrower than the awning cover

2) In the case of coupled awnings, available for all fields only

01 Optional accessories

Adjustable posts, manual or motor-driven

02 Posts with stabilisation boxes

Shadeplus, radio remote control with solar module
sundrive or manual

03 LED-Line on the guide tracks, on both sides

LED-Line in the cover support tube ¹⁾04 LED-Spots on the cover support tube ¹⁾

Infrared heater 2500 W

05 Infrared heater 2500 W with integrated radio-controlled
receiver 868 MHz io

06 Wall sealing profile

Several motors in a coupled awning,
can be operated independently

07 Vertical cassette blind markilux 776 tracfix

Automatic controls (light, wind, rain)

Important background information can be found in the chapter
"Optional Accessories" in the sales manual "Designer Blinds for
Windows | Glass Roof Awnings"

1) LED-Line and LED-Spots cannot be combined with each other

Shadeplus / drop valance with radio-controlled motor RTS ^{2) 3)}

Shadeplus / drop valance cover	fabric range no.	standard	optional	blind fixture width	height	cover manuf.
sunvas	301.. / 309..-315..	✓	—	≤ 600	160	LN
				≤ 600	230	QN
sunsilk	324.. / 325.. / 328.. / 369..	✓	—	≤ 600	160	LN
				≤ 600	230	QN
sunvas (250 cm)	31008, -09, -13, -16, -18, -25, 27, -28, -31, -36, -37, -57, -58, 31109, -14, -17	✓	—	≤ 600	230	N
transolair	338.. / 339..	—	✓	≤ 600	230	N
vuscreen Alu	317..	—	✓	≤ 600	160	N
Soltis Perform 92	92-20..	—	✓	≤ 490	230	QN
glass fibre screen	272..	—	—			
perfortex	331.. / 332..	—	—			
perla	370..	—	—			
perla FR	374.. / 375..	—	—			

2) = 433 MHz radio-controlled RTS motor powered by a sundrive solar panel, minimum fixture width 94 cm

3) = only available in plain seamless fabrics (oversized, fabric width > 120 cm) or in plains with a horizontal joint
(fabric width 120 cm)

N = seamless

LN = vertical seam(s), panel width usually 60 cm

QN = horizontal seam(s)

dimensions in cm

Dimensions and configuration options

01

Coupled unit, 2 fields

		Awning fixture width						
		600 ¹⁾	700 ¹⁾	800	900	1000	1100	1200
Order dimensions		551	601	701	801	901	1001	1101
		600	700	800	900	1000	1100	1200
Awning width		+ 10	+ 10	+ 10	+ 10	+ 10	+ 10	+ 10
H	150							
	200							
	250							
	300							
	350							
	400							
	450							
	500							—
	550						—	—
	600						—	—

02

03

04

05

06

07

Coupled unit, 3 fields

		Awning fixture width												
		600 ¹⁾	700 ¹⁾	800	900	1000	1100	1200	1300	1400	1500	1600	1700	1800
Order dimensions		551	601	701	801	901	1001	1101	1201	1301	1401	1501	1601	1701
		600	700	800	900	1000	1100	1200	1300	1400	1500	1600	1700	1800
Awning width		+ 10	+ 10	+ 10	+ 10	+ 10	+ 10	+ 10	+ 10	+ 10	+ 10	+ 10	+ 10	+ 10
H	150													
	200													
	250													
	300													
	350													
	400													
	450													
	500											—	—	—
	550										—	—	—	—
	600										—	—	—	—

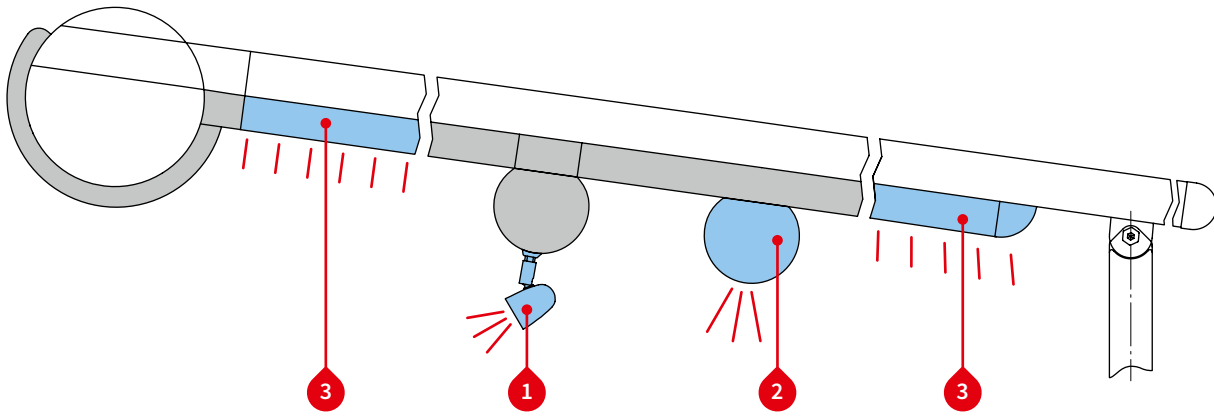
1) = the cassette will be supplied in one piece as standard. If, for transportation or installation reasons, the cassette needs to be split, please note this explicitly when ordering.

H = *order dimension* = extension

dimensions in cm

01 Lighting options

02
03
04
05
06
07



Lighting options

- 1 LED spotlights suspended from the cover support tube ¹⁾
- 2 LED-Line in the cover support tube ¹⁾
- 3 LED-Line in the guide tracks on both sides

Controls

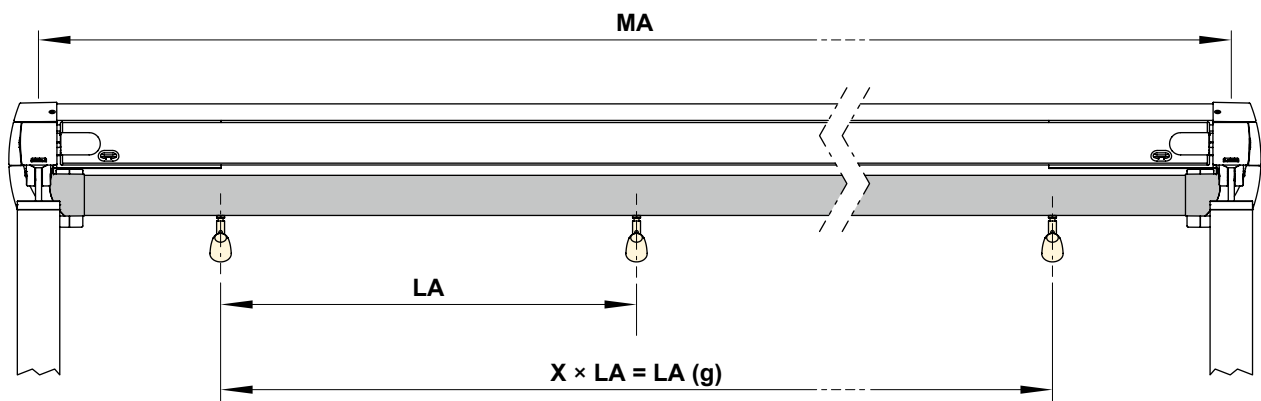
	standard	optional
on / off switch	—	✓
radio-controlled dimmer io, 868 MHz	✓	—
radio-controlled dimmer RTS, 433 MHz	—	✓

For combination possibilities please view section “Dimension overview lighting options”

1) The LED-Line and LED spotlights cannot be combined

Distribution of the LED spotlights

- 1 LED spotlights in the cover support tube



Blind fixture width	No. of spotlights	LA	LA (g)
150–250	3	65	130
251–300	3	98	196
301–350	3	98	196
351–400	4	98	294
401–450	4	98	294
451–500	5	98	392
501–550	5	98	392
551–600	6	98	490

dimensions in cm

LA (g) = distance between the spotlights (total)

MA = order dimension = awning fixture width

1 LED spotlights in the cover support tube**01****Technical specification**

Operating voltage	230 V, 50 Hz
Power output of one LED spotlight	5 W
Light source	LED (12 V)
Number of transformers	1 unit
Light temperature	warm white
IP protection class	IP 44
Service life	approx. 20.000 h

02

03

04

05

06

07

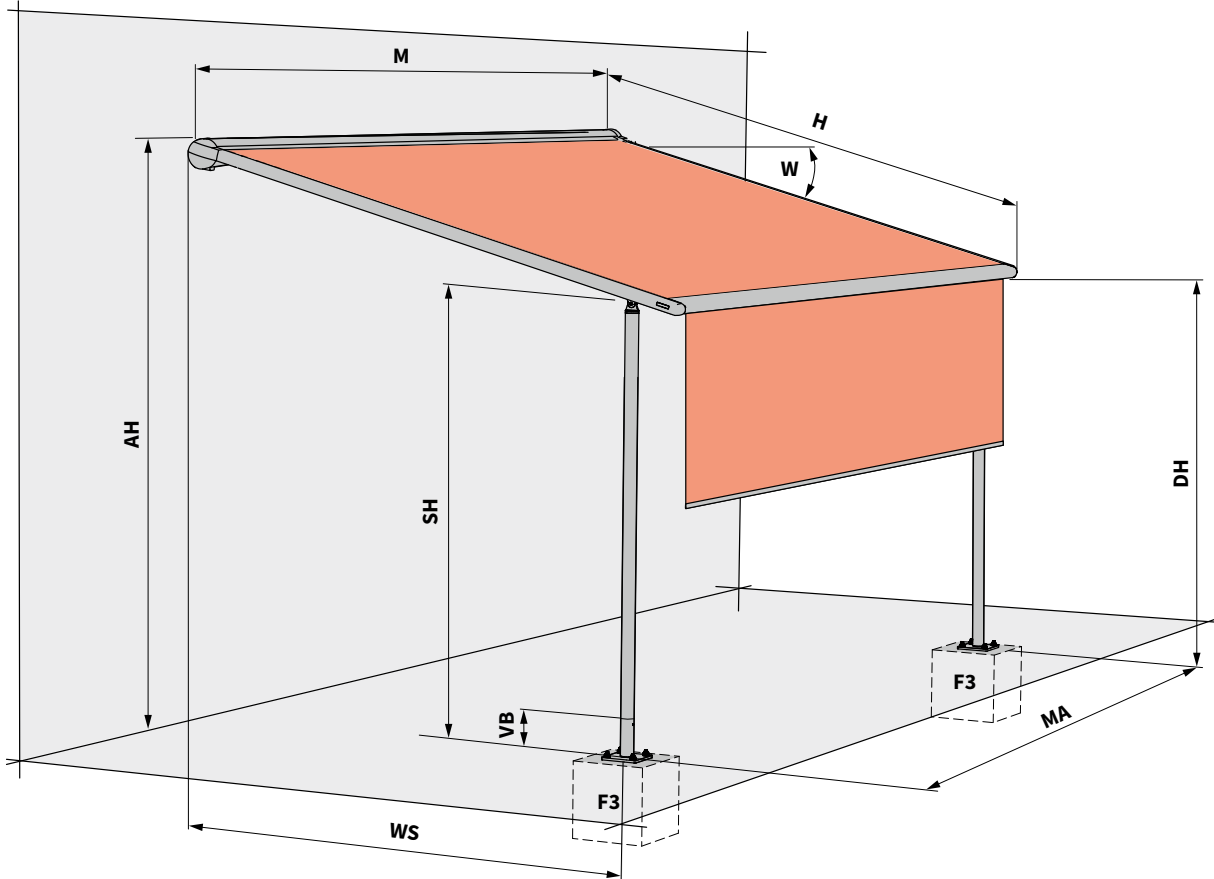
2 and **3** LED-Line in the guide tracks and / or in the cover support tube**Technical specification**

Operating voltage	230 V, 50 Hz
Power output of one LED spotlight	10 W
Light source	LED (12 V)
Number of transformers	120 units / m
Light temperature	warm white
IP protection class	IP 44
Service life	approx. 15.000 h

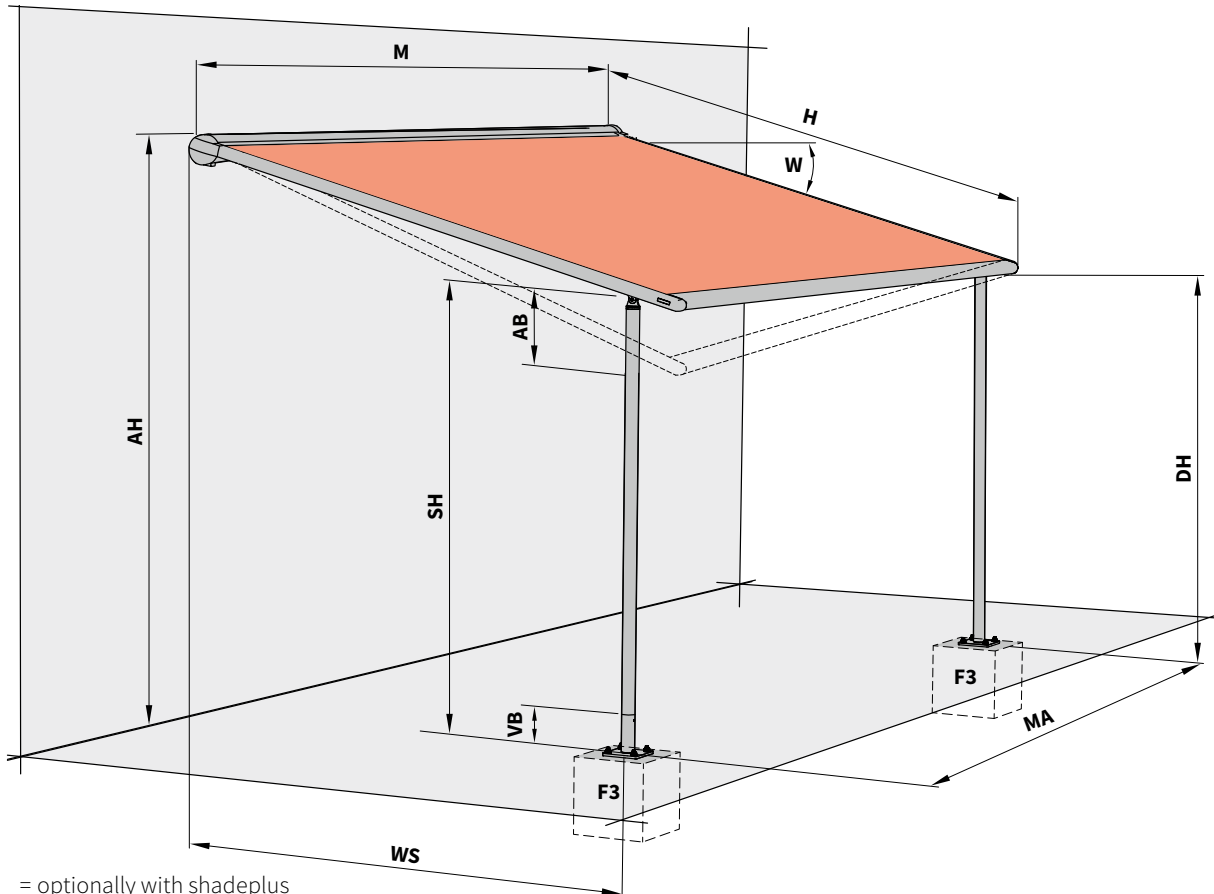
01 Dimension overview

pergola with fixed posts ¹⁾ – support post fixture to a concrete footing

02
03
04
05
06
07



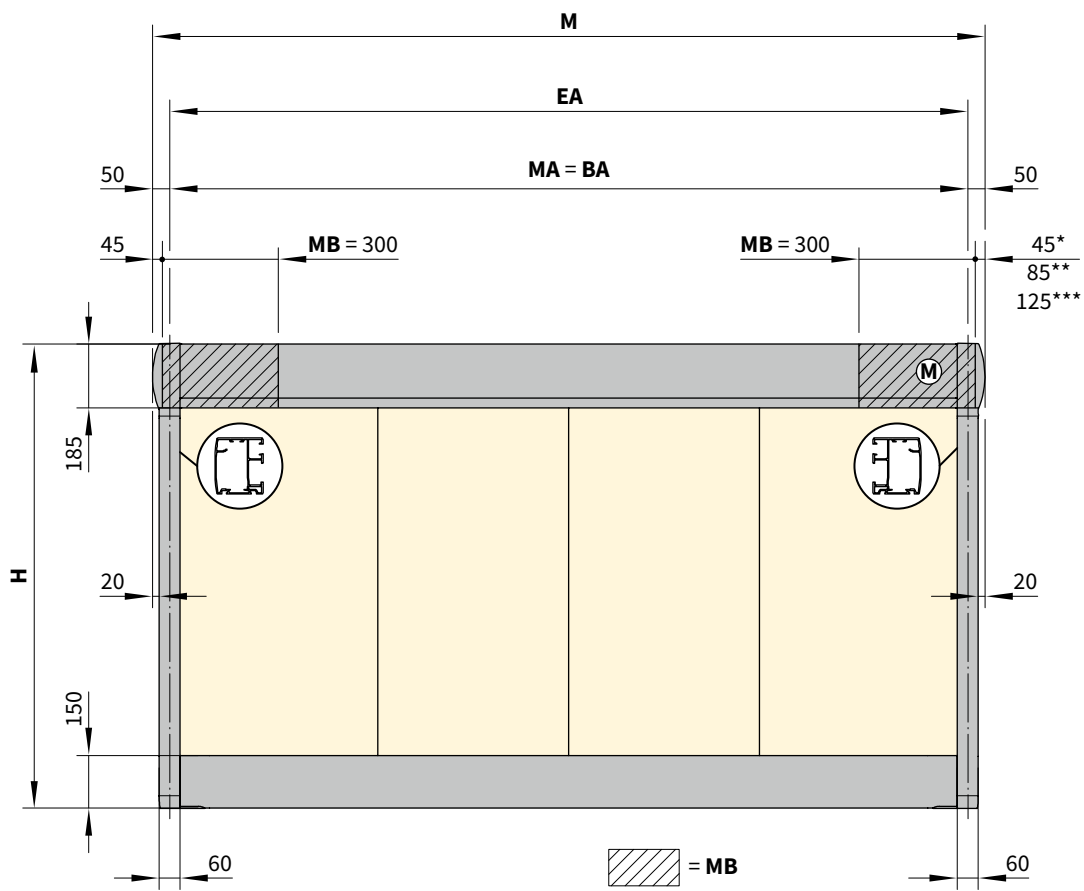
pergola with telescopic post ¹⁾ – support post fixture to a concrete footing



1) = optionally with shadeplus

Overview of fixture dimensions

Single unit

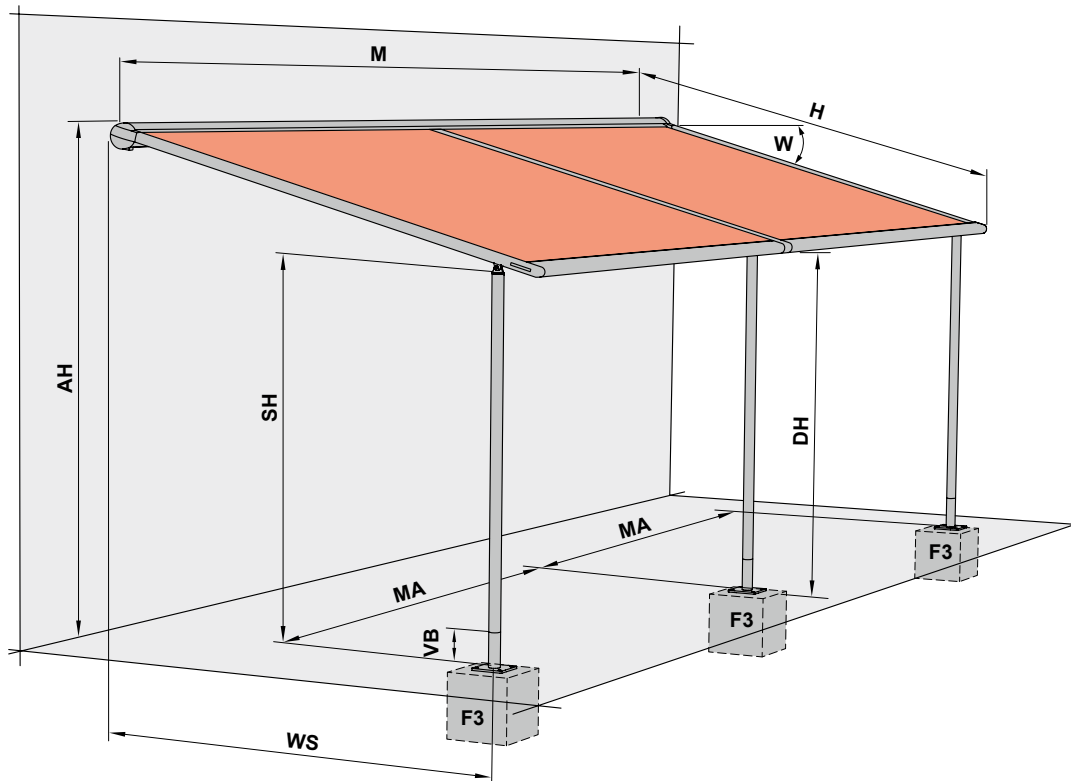


- * = dimensions for rear cable exit on motor side (standard)
- ** = dimensions for bottom cable exit on motor side (optional)
- *** = dimensions for cable duct in case of lighting
- [...] = the cover gap dimension in standard units;
there is no cover gap in units with the tracfix system
- AH = fixture height
- BA = fixture width = awning fixture width = order width
- DH = headroom
- EA = single unit
- F3 = concrete foundation.
Please view section "Concrete foundations"

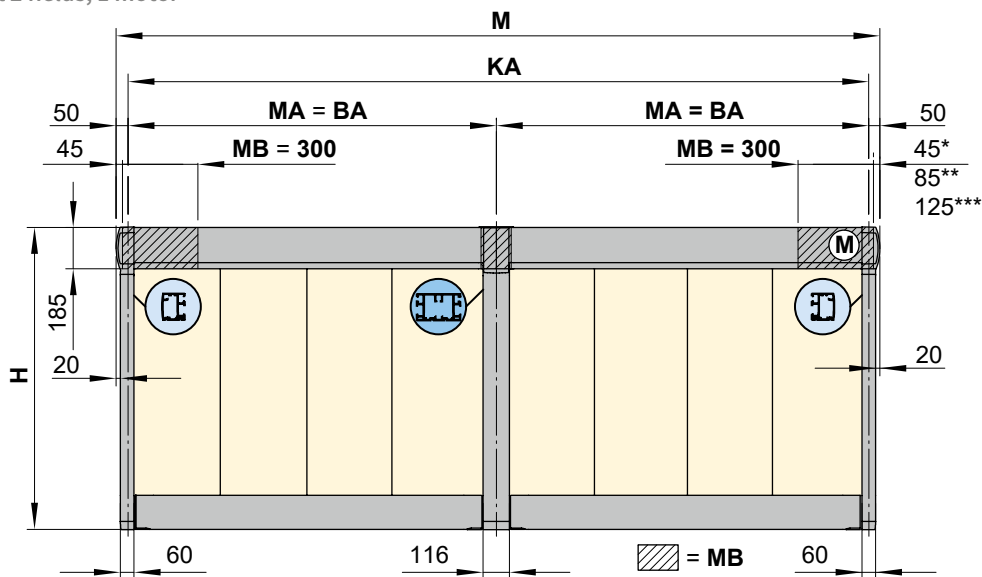
- H = *order dimension* = extension
- M = overall awning width = MA + 10 cm
- (M) = operation side, motor drive
- MA = *order dimension* = awning fixture width
- MB = bracket fixture range
- SH = *order dimension* = post height, standard
height 2500 mm (bespoke heights on request)
- VB = height adjustment at the base of both the front
support posts during installation approximately 100 mm
- W = pitch setting = 5°–45°
- WS = distance from wall ↔ support post centre
dimensions in mm

01 Overview of fixture dimensions

Coupled Awning



Coupled unit 2 fields, 1 motor



* = dimensions for rear cable exit on motor side (standard)

** = dimensions for bottom cable exit on motor side (optional)

*** = dimensions for cable duct in case of lighting

AH = fixture height

BA = fixture width = awning fixture width = order width

DH = headroom

EA = single unit

F3 = concrete foundation.

Please view section "Concrete foundations"

H = order dimension = extension

KA = coupled awning

M = overall awning width = MA + 10 cm

Ⓜ = operation side, motor drive

MA = order dimension = awning fixture width

MB = bracket fixture range

SH = order dimension = post height, standard height 2500 mm (bespoke heights on request)

VB = height adjustment 10 cm

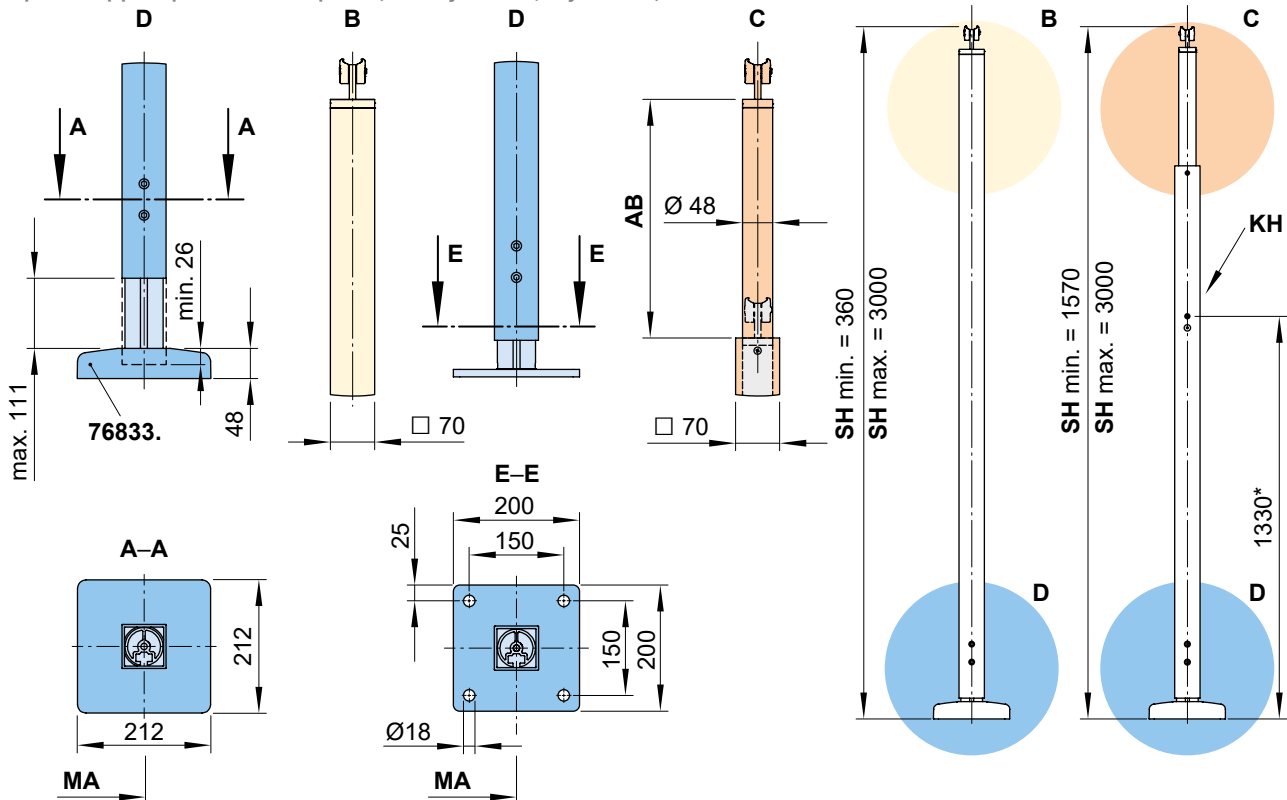
W = pitch setting = 5°-45°

WS = distance from wall ↔ support post dimensions in mm

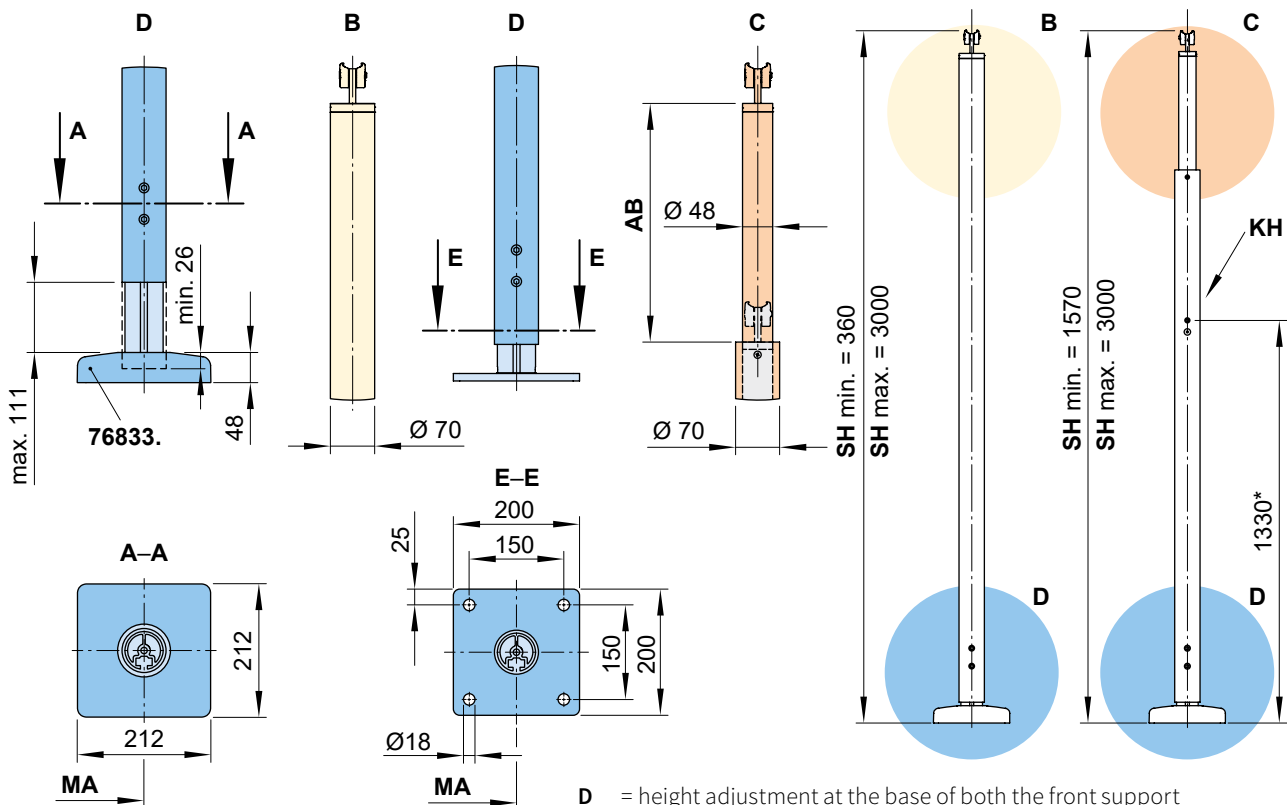
01 Post dimensions

Square support post with footplate (not adjustable/adjustable)

02
03
04
05
06
07



Round support post with footplate (not adjustable/adjustable)



- * = dimensions at the standard height
- AB = adjustment range of a post 200, 300 or 400 mm. For more detailed information please refer to "Dimensions and configuration options"
- B = support post without manual adjustment option
- C = support post with manual adjustment option
- D = height adjustment at the base of both the front support posts during installation approximately 100 mm
- KH = winch handle socket
- MA = order dimension = awning fixture width = fixture width
- SH = order dimension = post height post height, standard height 2500 mm (bespoke heights on request) dimensions in mm

Footplate cover

01

02

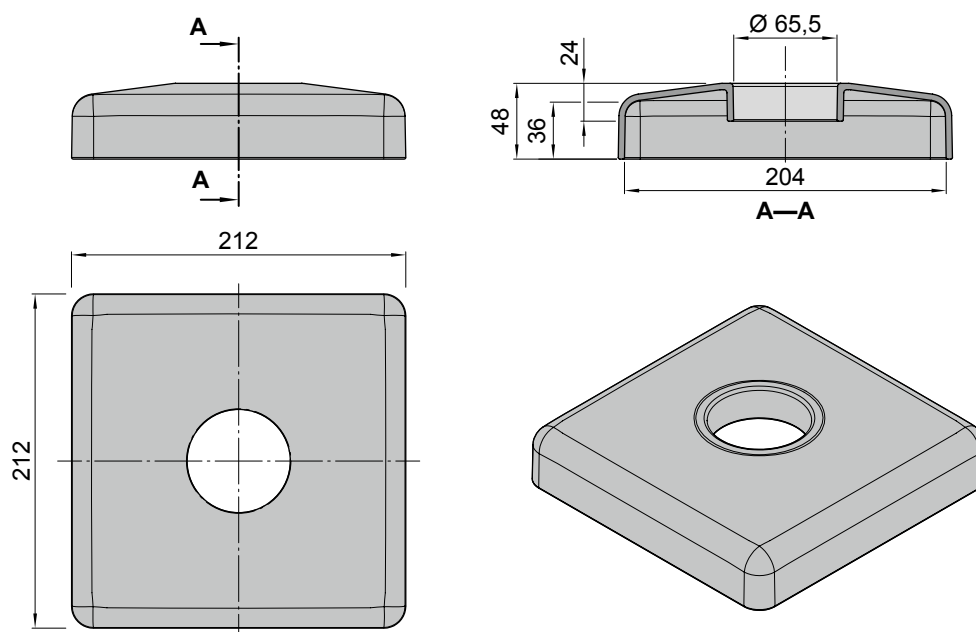
03

04

05

06

07

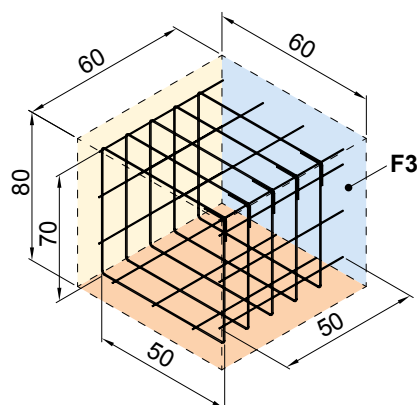


Concrete foundations

To be supplied on site:

Concrete foundations with a compressive strength complying with C25/30 (previously B25) with a reinforcement cage made of rebar matting Q188.

F3



The footplates (F3) are to be fitted to the concrete footings

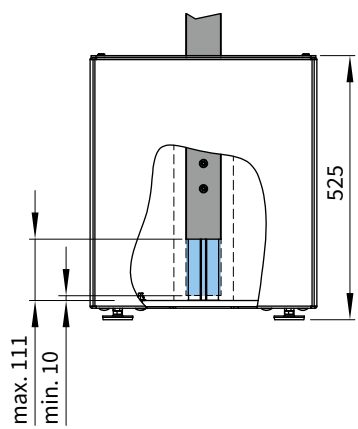
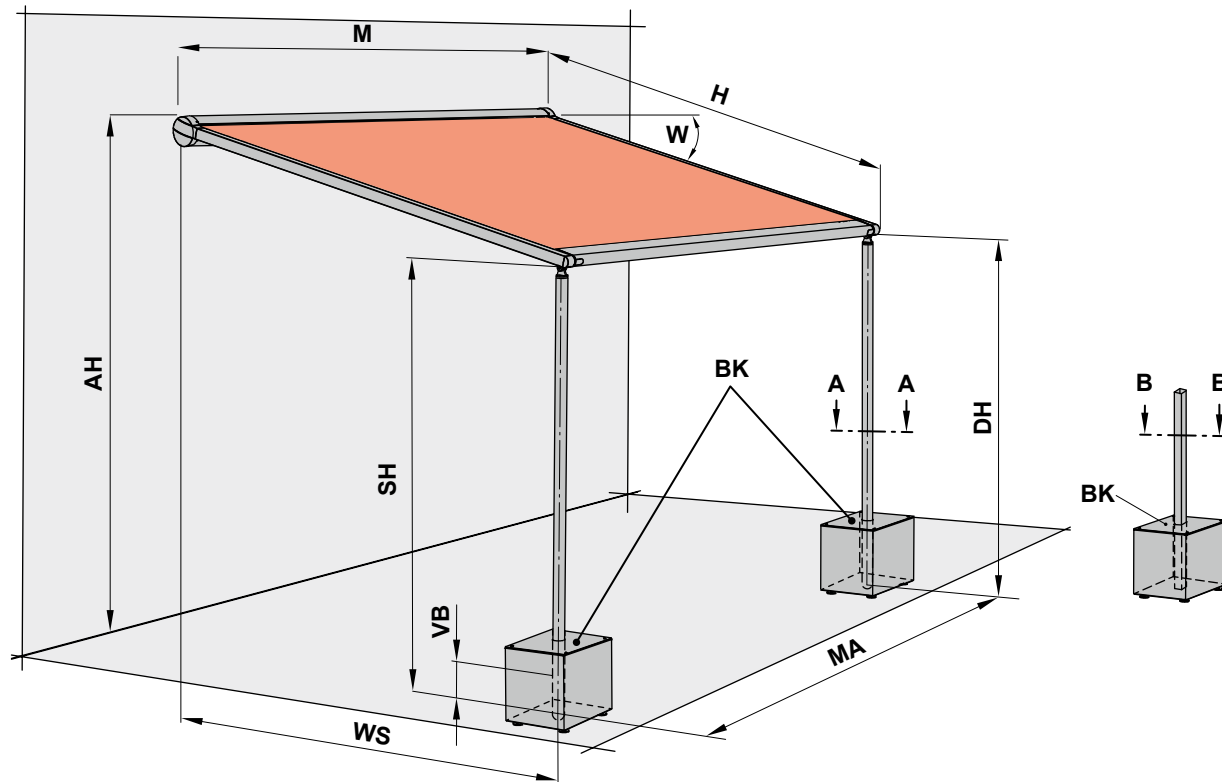
using Fischer marine-grade stainless steel anchor bolts (FAZ 10/30 and washers certified to DIN 9021 (or equivalent)

dimensions in cm

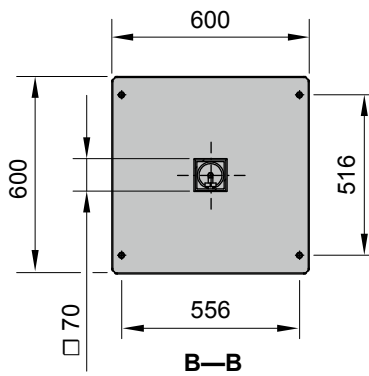
01 Dimension overview

pergola - support posts with stabilisation boxes

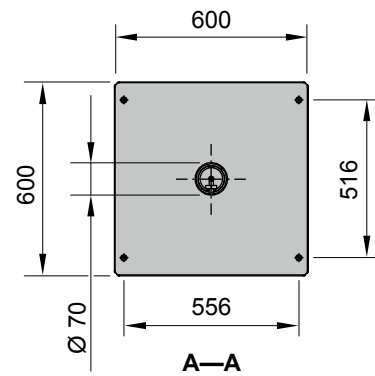
02
03
04
05
06
07



Square posts



Round posts



Fill each of the stabilisation boxes on site with at least 150 kg of sand, gravel or pebbles.

- AH** = fixture height
 - BK** = stabilisation box
 - DH** = headroom
 - H** = *order dimension* = extension
 - M** = overall awning width = MA + 10 cm
 - MA** = *order dimension* = awning fixture width = fixture width
 - SH** = *order dimension* = support post height
 - VB** = height adjustment at the base of both the front support posts during installation approximately 100 mm
 - W** = pitch setting = 5°-45°
 - WS** = distance from wall ↔ support post centre
- dimensions in mm

Dimension overview

pergola – support posts with stabilisation boxes, coupled unit

01

02

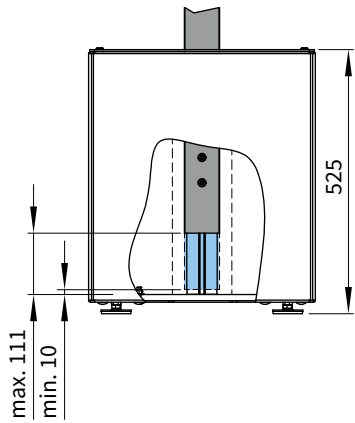
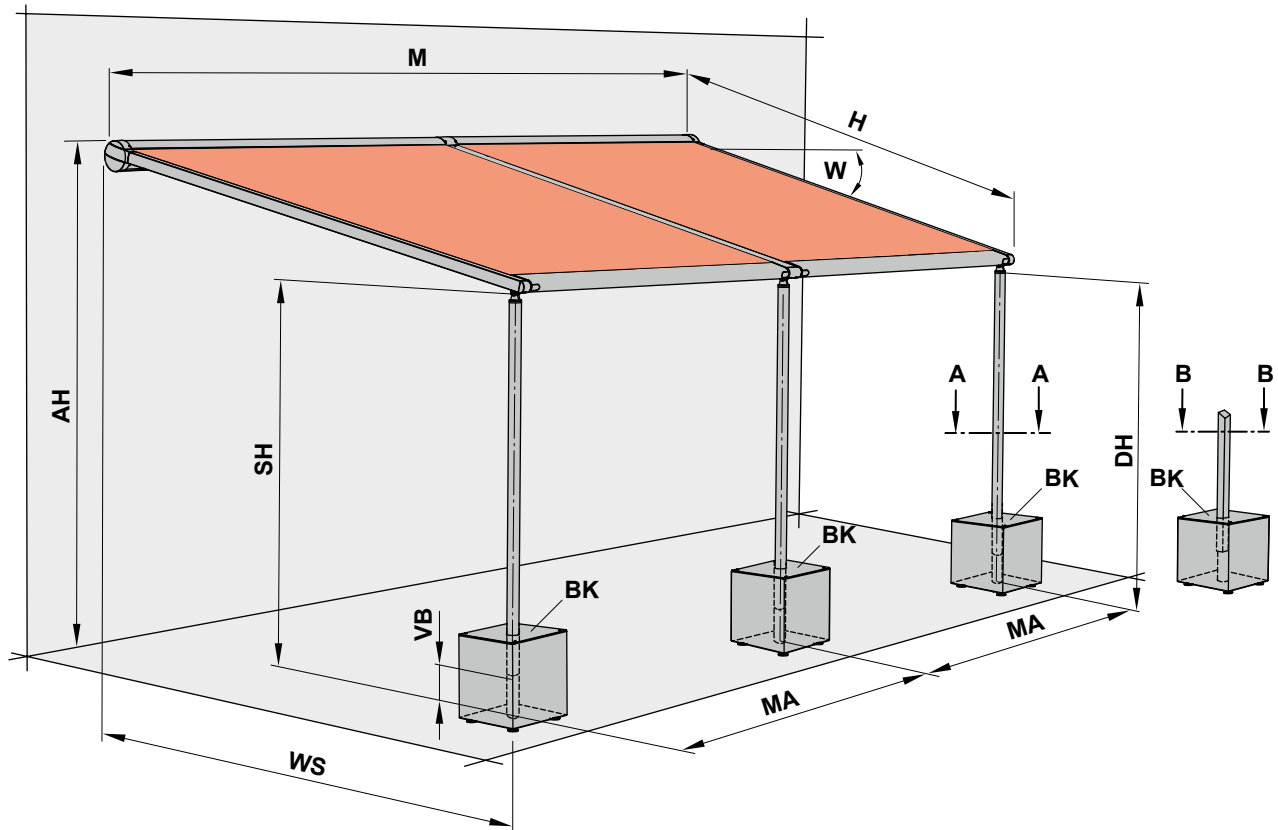
03

04

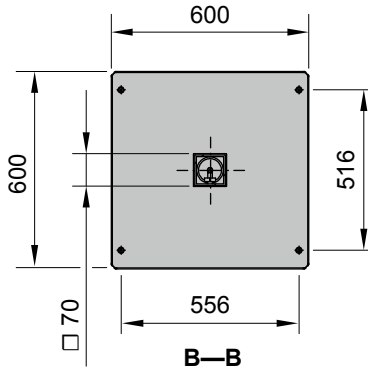
05

06

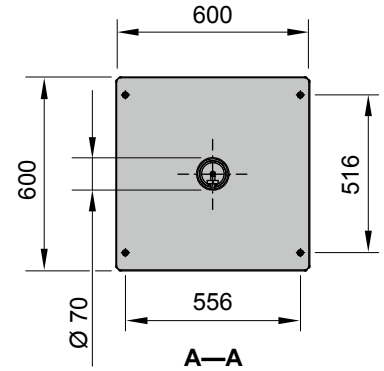
07



Square posts



Round posts



Fill each of the stabilisation boxes on site with at least 150 kg of sand, gravel or pebbles.

AH = fixture height

BK = stabilisation box

DH = headroom

H = *order dimension* = extension

M = overall awning width = MA + 10 cm

MA = *order dimension* = awning fixture width = fixture width

SH = *order dimension* = support post height

VB = height adjustment at the base of both the front support posts during installation approximately 100 mm

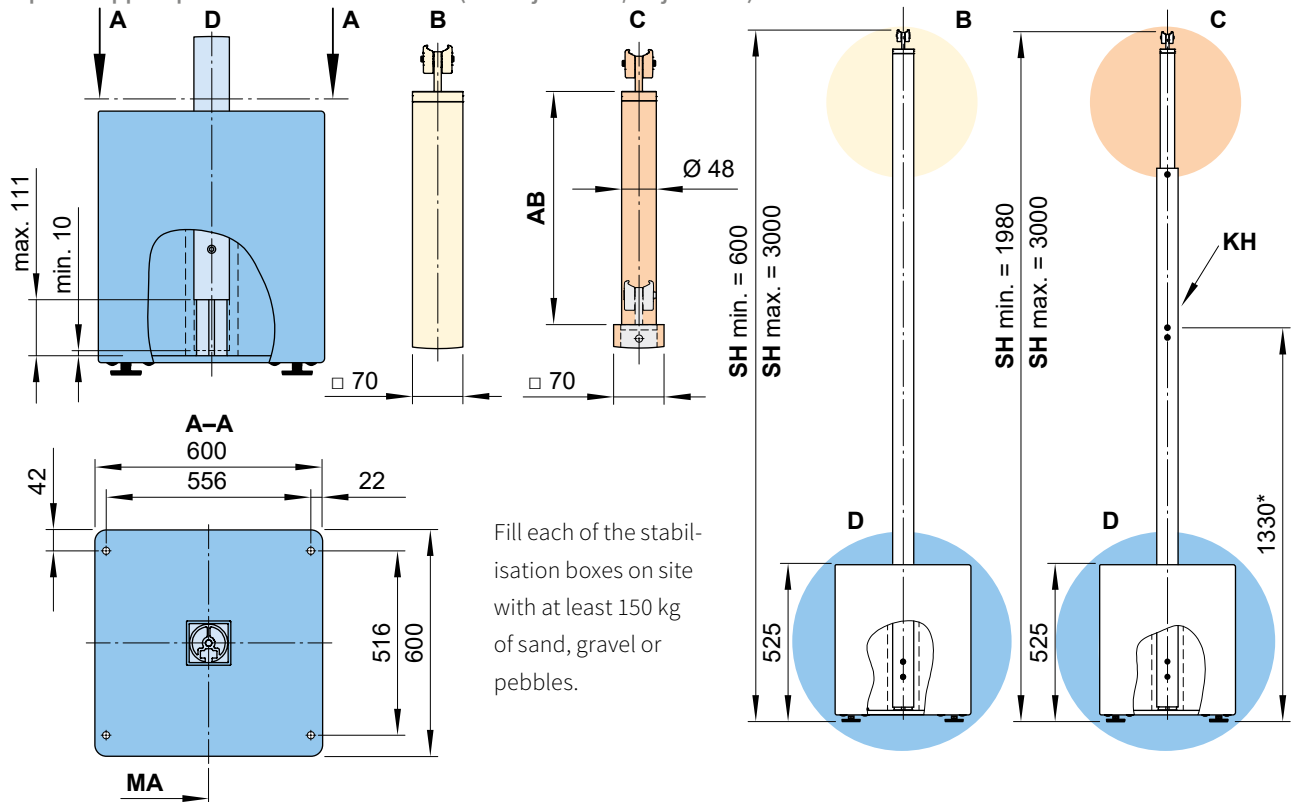
W = pitch setting = 5°–45°

WS = distance from wall ↔ support post centre

dimensions in mm

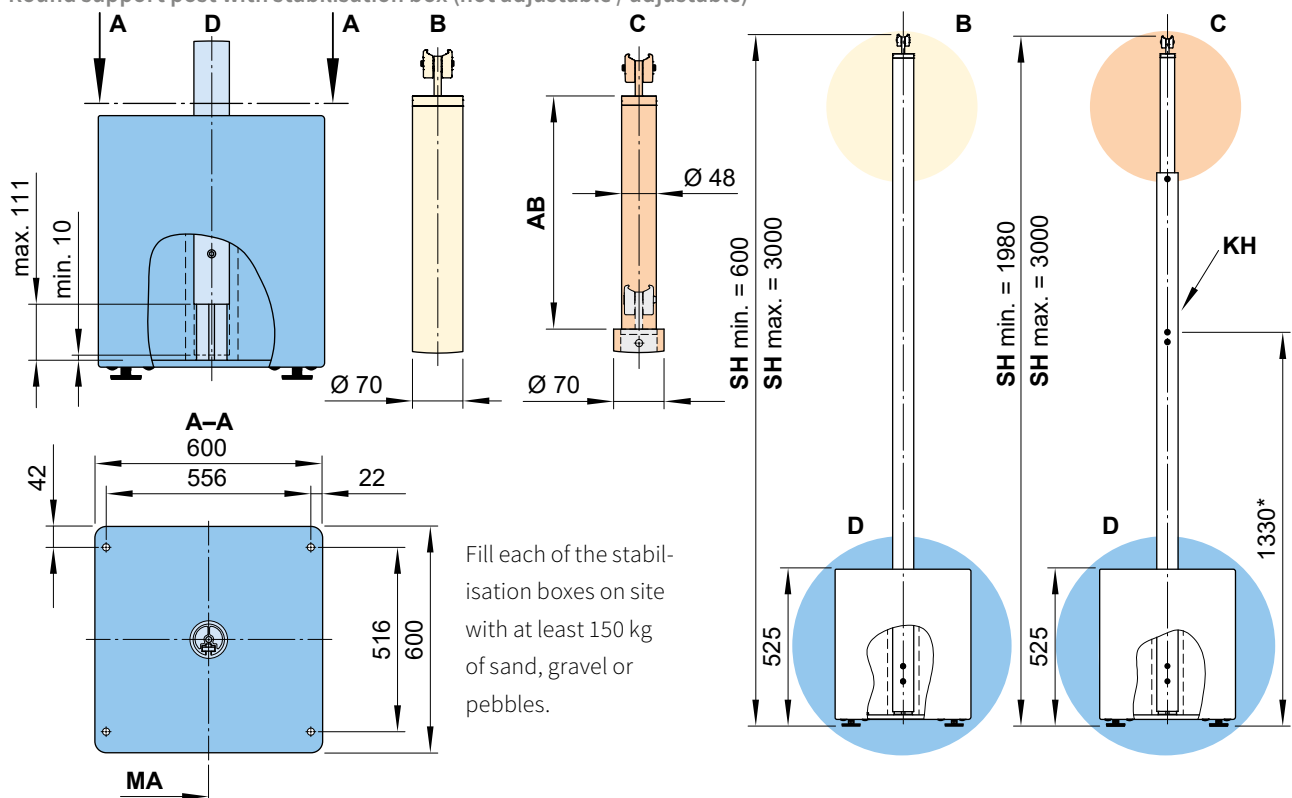
01 Post dimensions

Square support post with stabilisation box (not adjustable / adjustable)



Fill each of the stabilisation boxes on site with at least 150 kg of sand, gravel or pebbles.

Round support post with stabilisation box (not adjustable / adjustable)



Fill each of the stabilisation boxes on site with at least 150 kg of sand, gravel or pebbles.

* = dimensions at the standard height

AB = adjustment range of a post 200, 300 or 400 mm.
For more detailed information please refer to "Dimensions and configuration options"

B = support post without manual adjustment option

C = support post with manual adjustment option

D = height adjustment at the base of both the front support posts during installation approximately 100 mm

KH = winch handle socket

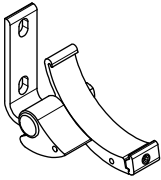
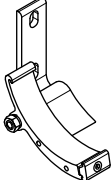
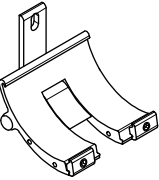
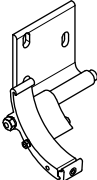
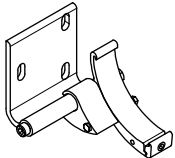

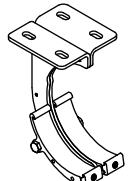
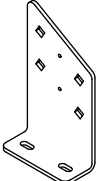
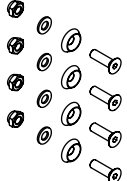
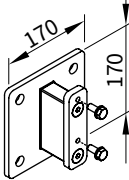
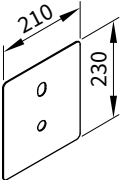
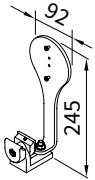
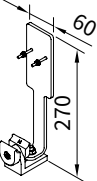
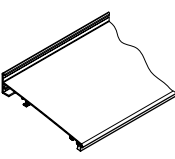
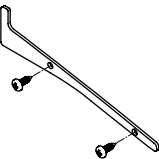
MA = order dimension = awning fixture width = fixture width

SH = order dimension = post height post height, standard height
2500 mm (bespoke heights on request)

dimensions in mm

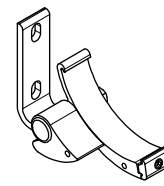
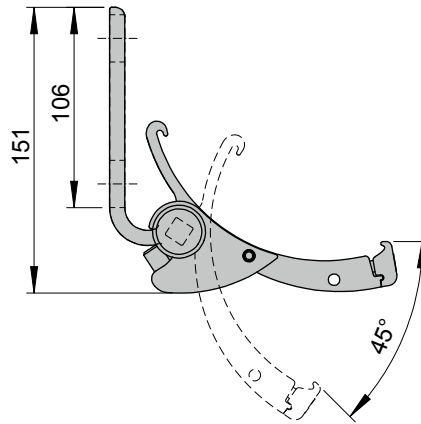
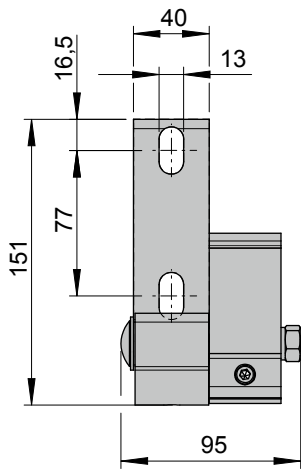
Fixtures, fittings and accessories

01

 <p>face fixture cassette bracket left pitch adjustment range 5°-45°</p> <p>76063.</p>	 <p>face fixture cassette bracket right pitch adjustment range 5°-45°</p> <p>76064.</p>	 <p>coupling cassette bracket central pitch adjustment range 5°-45°</p> <p>76181.</p>	02
 <p>face fixture cassette bracket, wide left pitch adjustment range 5°-45°</p> <p>76231.</p>	 <p>face fixture cassette bracket, wide right pitch adjustment range 5°-45°</p> <p>76232.</p>	 <p>top fixture cassette bracket pitch adjustment range 5°-20°</p> <p>77058.</p>	03
 <p>coupling cassette bracket top fixture pitch adjustment range 5°-20°</p> <p>73803.</p>	 <p>eaves fixture bracket</p> <p>77010.</p>	 <p>accessories for two eaves fixture brackets 77010.</p> <p>767281</p>	04
 <p>stand-off brackets for face fixture brackets 76063., 76064. and 76181. length min 80 mm up to max. 300 mm</p> <p>77956.</p>	 <p>cover plate for installation with stand-off bracket 77956. in the case of external insulation 210 × 230 mm</p> <p>71844.</p>	 <p>bracket sun and/or wind sensor io</p> <p>76723.</p>	05
 <p>bracket sun-/wind or rain sensor</p> <p>76050.</p>	 <p>Wall sealing profile incl. brush seal when installing with a coverboard available by the metre</p> <p>76385. and 704241</p>	 <p>1 side plate including 2 pan-head self-tapping screws for wall sealing profile</p> <p>76386. and 2 × 735611</p>	06
			07

01 Face fixture

Face fixture cassette bracket, left

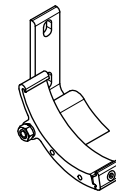
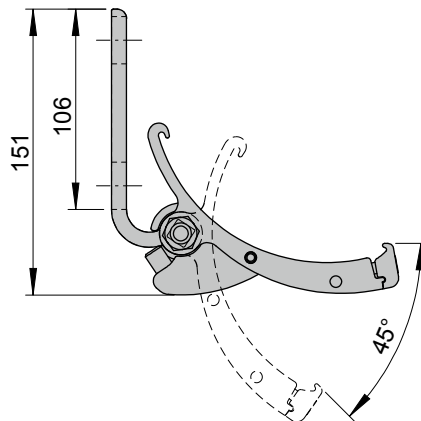
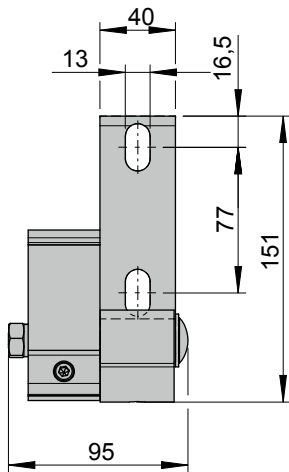


face fixture cassette bracket
left
pitch adjustment range
5°-45°

76063.

dimensions in mm

face fixture cassette bracket, right

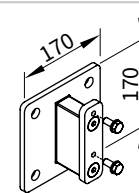
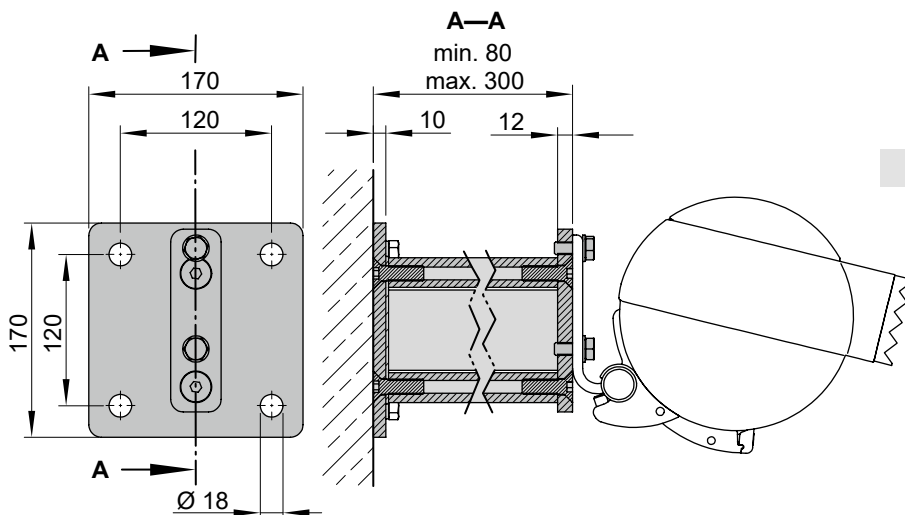


face fixture cassette bracket
right
pitch adjustment range
5°-45°

76064.

dimensions in mm

Face fixture using stand-off brackets



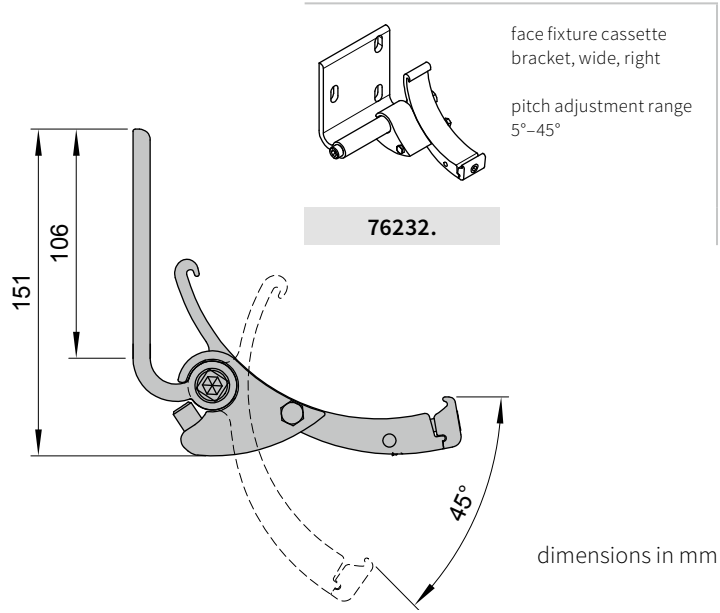
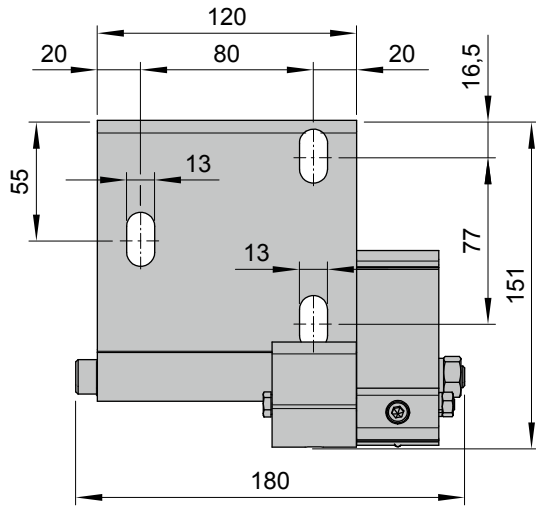
stand-off brackets for
face fixture brackets
76063., 76064. and 76181.
length min. 80 mm up to
max. 300 mm

77956.

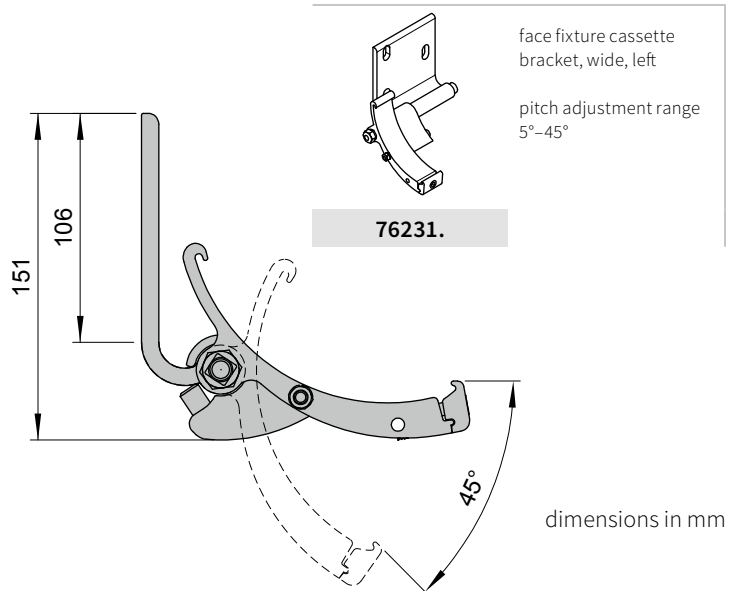
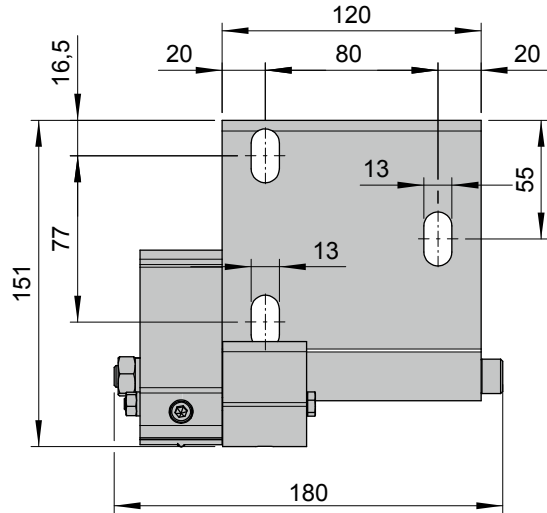
dimensions in mm

Face fixture

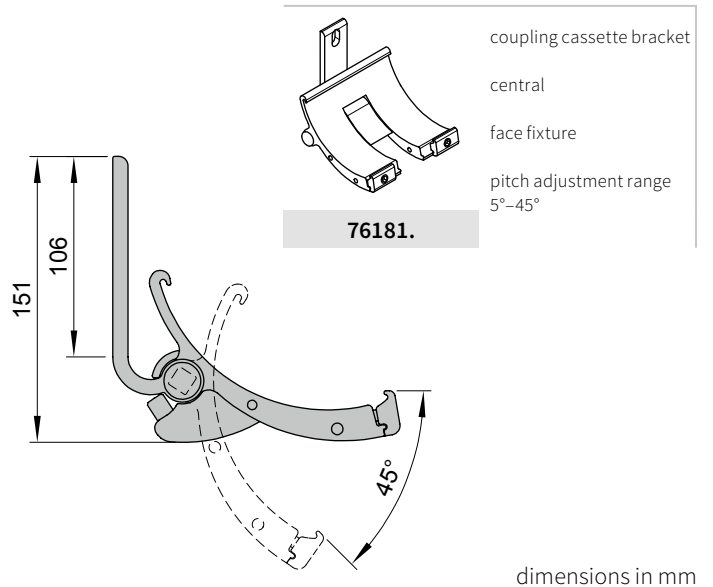
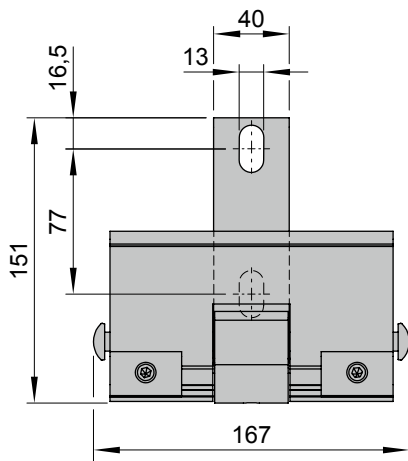
Face fixture cassette bracket, wide, right



Face fixture cassette bracket, wide, left



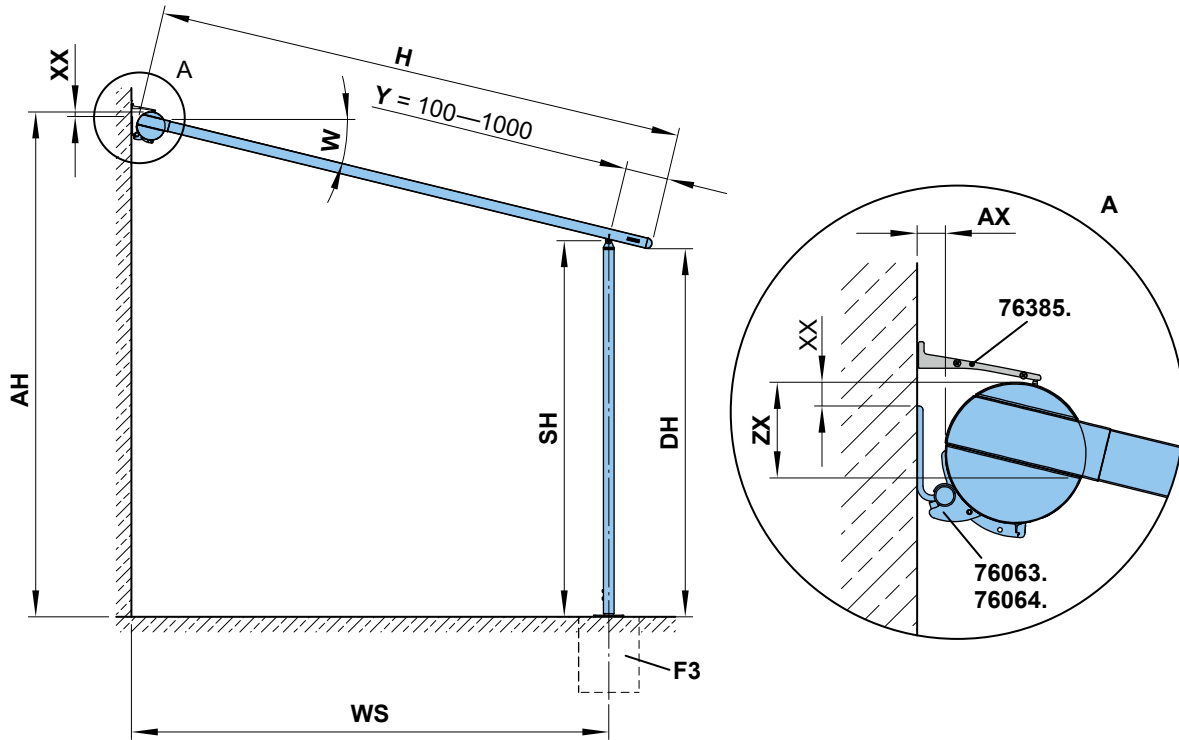
Coupling cassette bracket (central in coupled units)



- 01
- 02
- 03
- 04
- 05
- 06
- 07

01 Face fixture

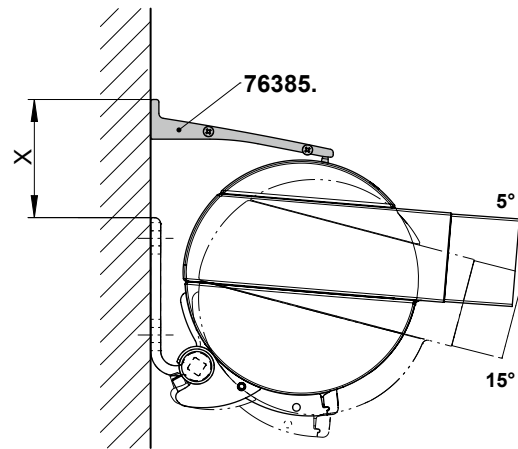
Dimension overview support post with footplate



W	AX	XX	ZX
5°	26	46	112
10°	32	38	120
15°	38	30	128
20°	44	22	135
25°	49	13	142
30°	54	4	149
35°	58	-5	156
40°	62	-15	161
45°	65	-24	167

dimensions in mm

Face fixture with wall sealing profile



W	x
5°	95
10°	89
15°	81

dimensions in mm

76385. = wall sealing profile (standard width = awning fixture width (MA) + 58 mm)

AH = fixture height = SH + ZX + sin W × (H - Y)

AX = distance from wall ↔ cassette

DH = headroom = SH - sin W × Y

F3 = concrete foundation. Please view section "Concrete foundations"

H = *order dimension* = extension

SH = *order dimension* = AH - ZX - sin W × (H - Y)

W = pitch (measured from the horizontal)

WS = distance from wall ↔ support post centre = cos W × (H - Y) + AX

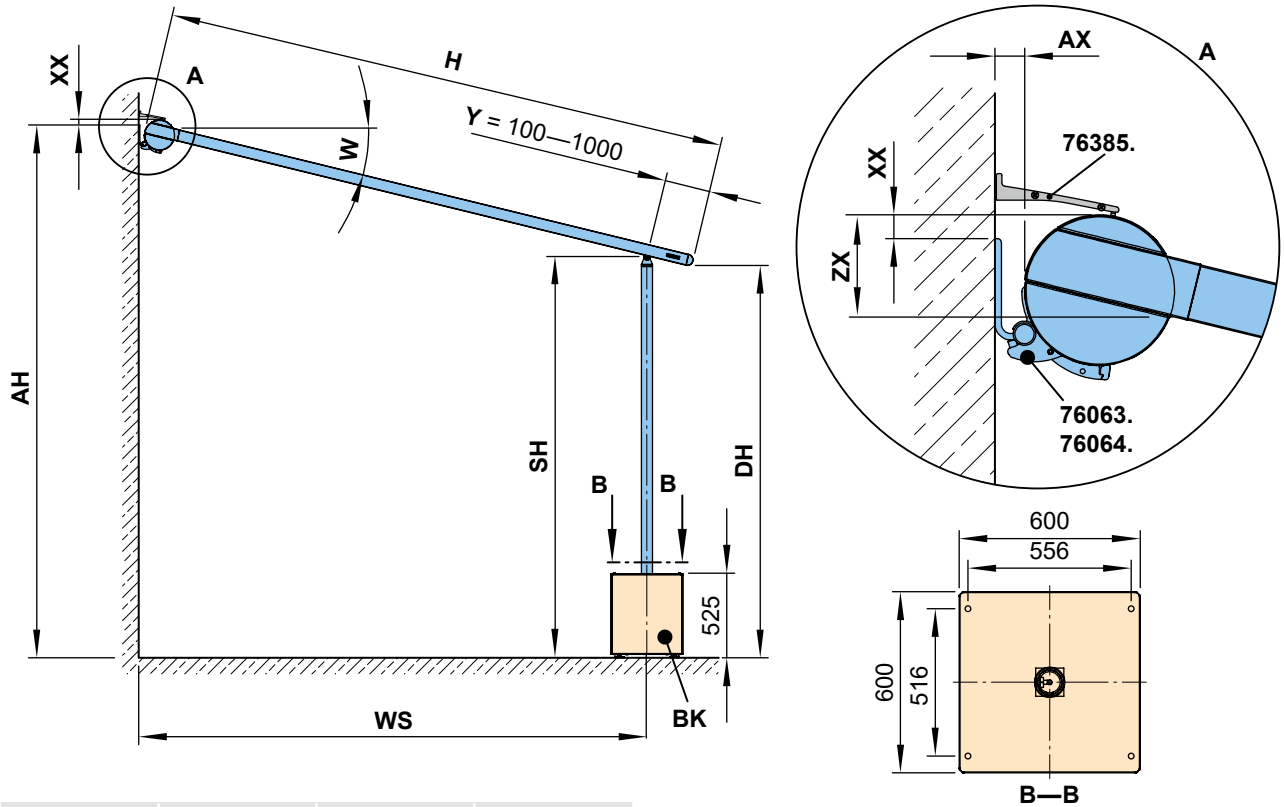
Y = the support post can be moved back by min. 100 mm and max. 1000 mm

XX = distance from the top edge of the fixture bracket to the top edge of the cassette (see table)

ZX = distance upper edge cassette - bottom edge of guide track

Face fixture

Dimension overview support post with stabilisation box



W	AX	XX	ZX
5°	26	46	112
10°	32	38	120
15°	38	30	128
20°	44	22	135
25°	49	13	142
30°	54	4	149
35°	58	-5	156
40°	62	-15	161
45°	65	-24	167

dimensions in mm

Fill each of the stabilisation boxes on site with at least 150 kg of sand, gravel or pebbles.

76385. = wall sealing profile (standard width = awning fixture width (MA) + 58 mm)

AH = fixture height = SH + ZX + sin W × (H - Y)

AX = distance from wall ↔ cassette

BK = stabilisation box

DH = headroom = SH - sin W × Y

H = *order dimension* = extension

SH = *order dimension* = AH - ZX - sin W × (H - Y)

W = pitch

WS = distance from wall ↔ support post centre = cos W × (H - Y) + AX

Y = the support post can be moved back by min. 100 mm and max. 1000 mm

XX = distance from the top edge of the fixture bracket to the top edge of the cassette (see table)

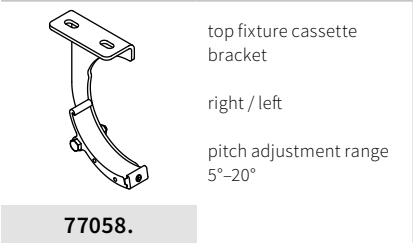
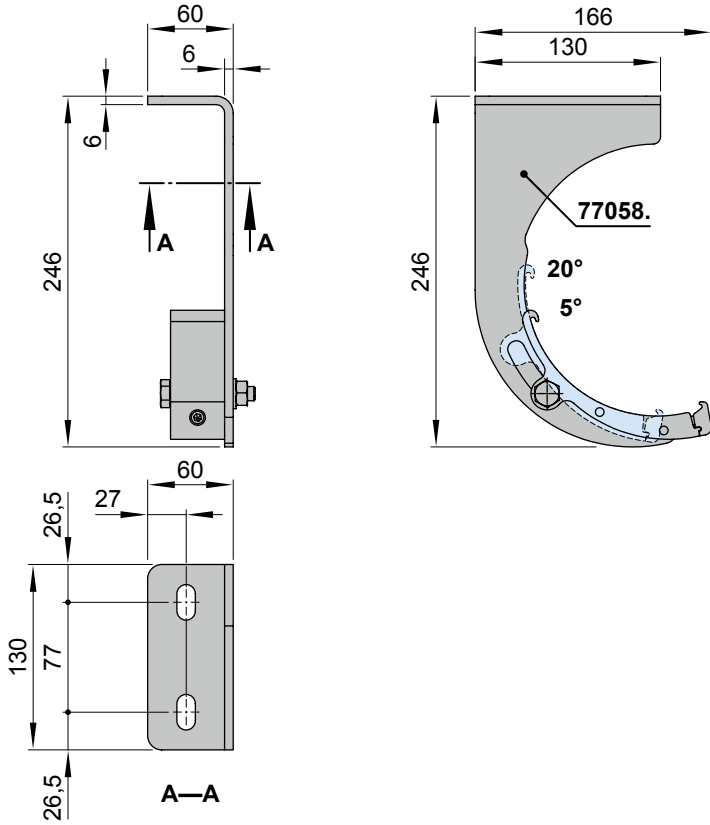
ZX = distance upper edge cassette - bottom edge of guide track

dimensions in mm

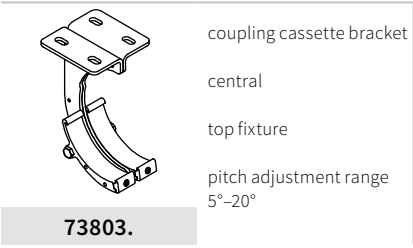
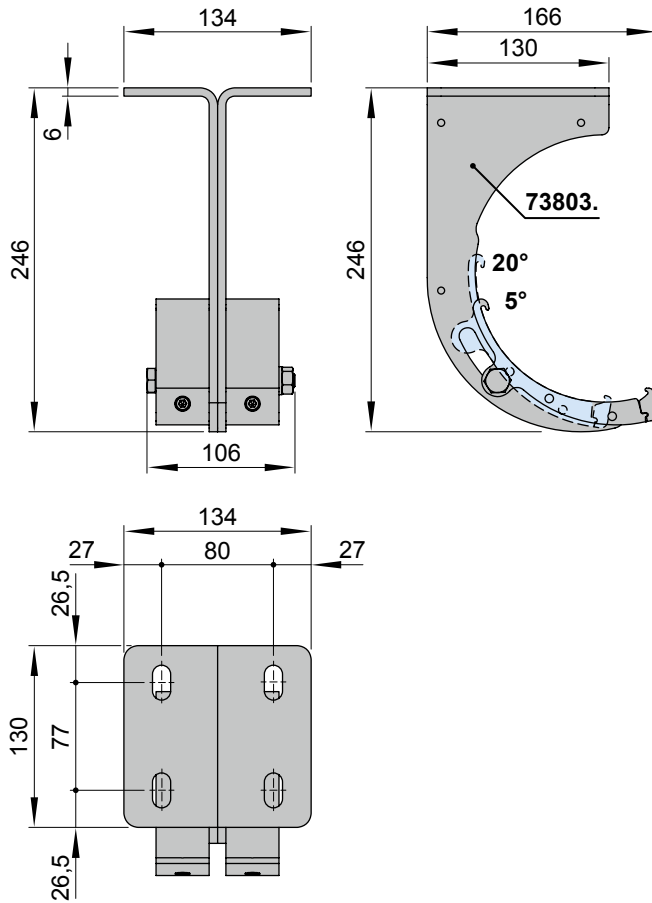
01 Top fixture

Top fixture cassette bracket, right and left

02
03
04
05
06
07



Top fixture coupling cassette bracket (central in coupled units)

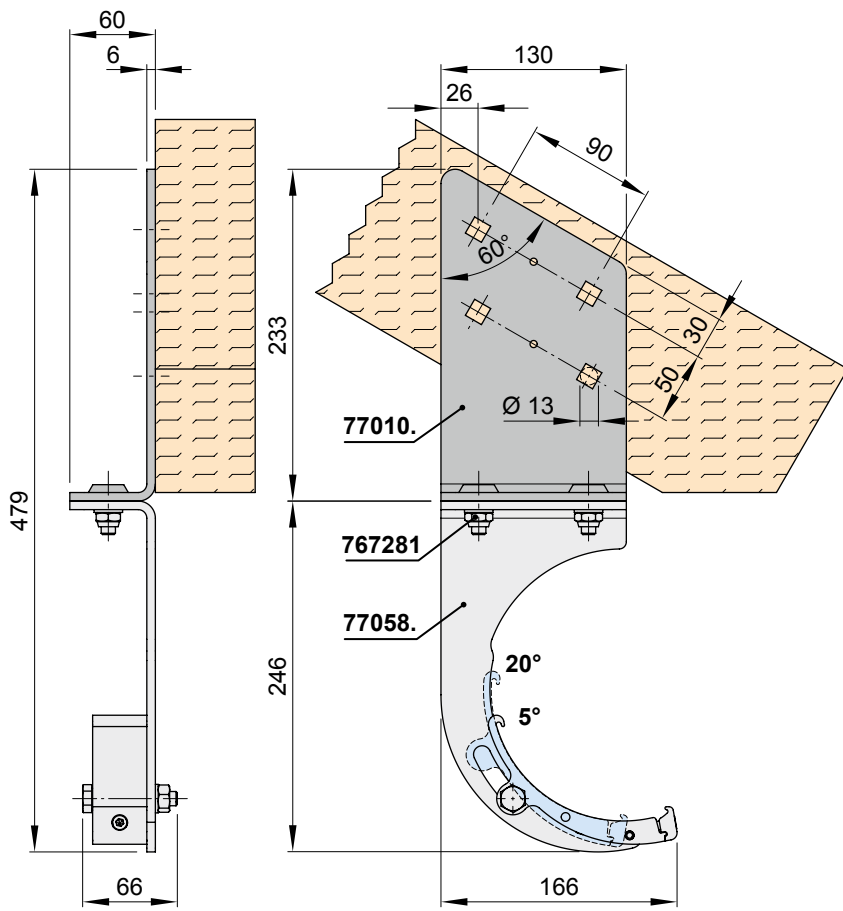


dimensions in mm

01 Eaves fixture

Eaves fixture bracket

02
03
04
05
06
07



eaves fixture bracket

77010.

top fixture cassette bracket

right / left

pitch adjustment range 5°-20°

77058.

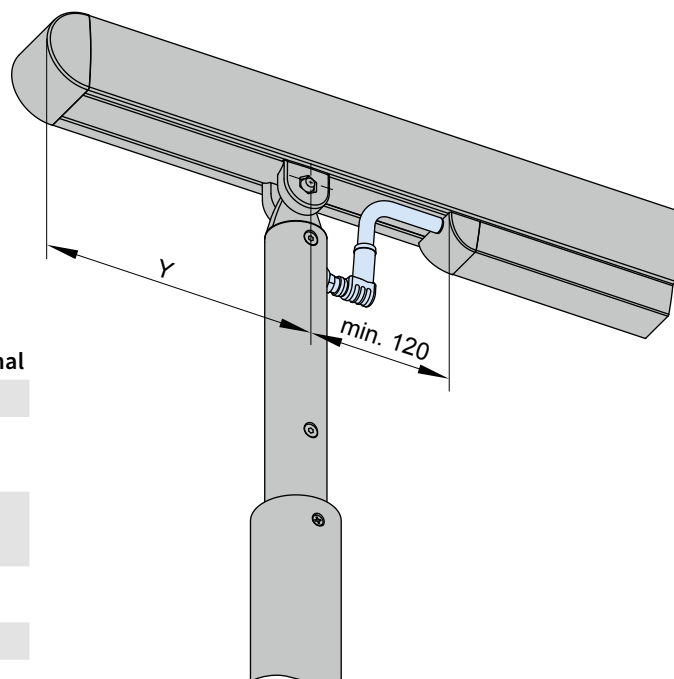
accessories

for two eaves fixture brackets 77010.

767281

Telescopic, motor-driven post

- Minimum post height: 1970 mm
- Motor cable, black
- The LED Line profiles are always fitted to all guide tracks of the markilux pergola to give a harmonious look
- The awning may only be retracted or extended if the front profile is horizontal, in other words, the post must not be in the lowered position.
- The shadeplus (optional) may only be operated when the post is not in the lowered position. It may only be operated when the front profile is horizontal.



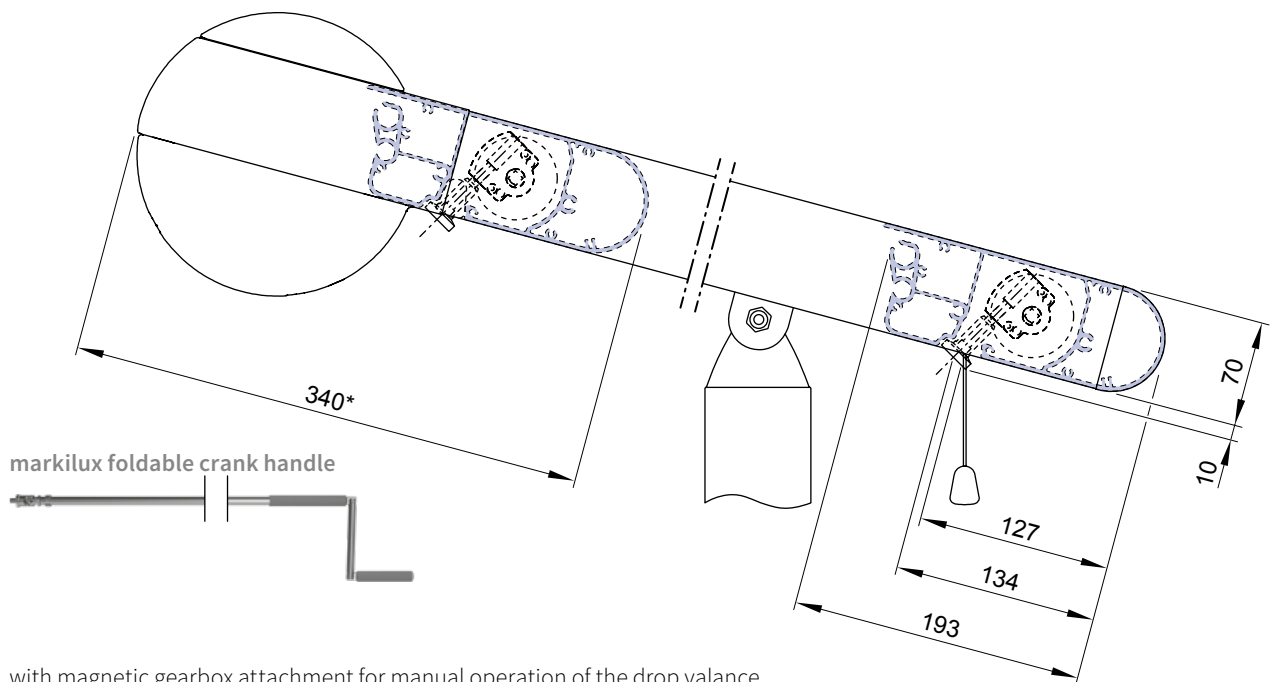
Controls	Standard	Optional
Hard-wired motor	✓	—
Radio receiver Somfy Slim Plug io (8271254)	—	✓
Radio receiver Universal Slim Receiver RTS Plug (8272148)	—	✓

Technical details Hard-wired motor	
Power supply	230 V DC
Power output	110 W
Protection class	IP 44

Y = distance from post centre to leading edge of front profile. Dimensions: min. = 100 mm, max. = 1000 mm dimensions in mm

Overview of fixture dimensions, shadeplus

Magnetic gearbox operation



with magnetic gearbox attachment for manual operation of the drop valance
lengths: standard 120 cm, optional 160 cm, from 160 cm up to max. 280 cm on request
(order no. 74271.)

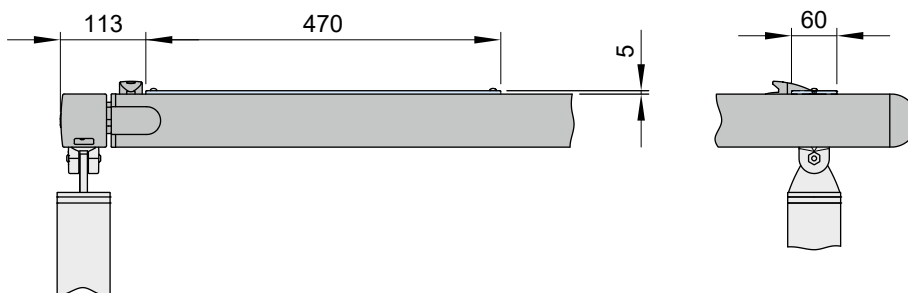
* = dimension with the awning retracted

Please note!

The shadeplus (optional) may only be operated when the post is not in the lowered position. It may only be operated when the front profile is horizontal.

sundrive

Solar module for radio-controlled drop valance operation

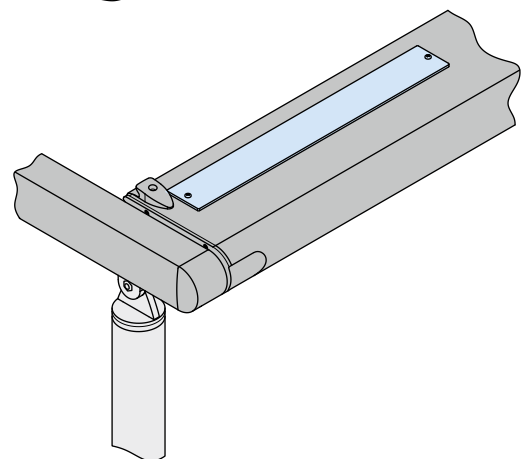


Technical data solar module

voltage	max. 21 V DC
current	max. 196 mA
output	3.2 W
ingress protection rating	IP 44
battery capacity	2200 mAh

Technical data radio-controlled motor 433 MHz

power supply	12 V DC
output	26 W
ingress protection rating	IP 44

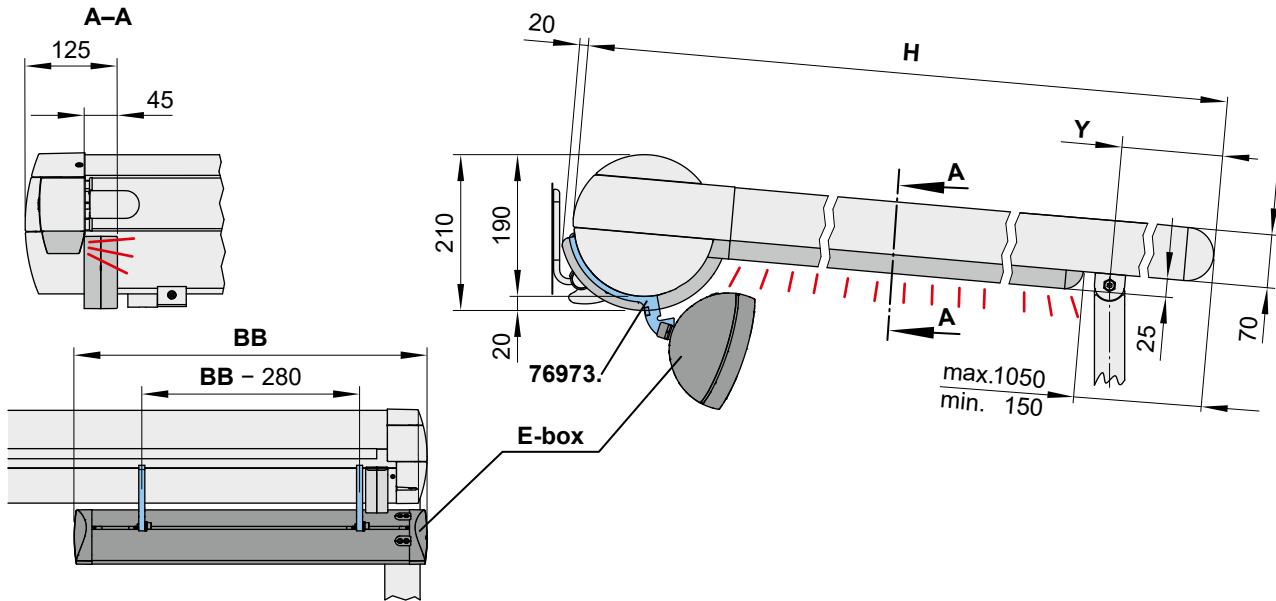


dimensions in mm

01 Dimension overview lighting options

Option 1: LED-Line in the guide tracks, electronic components in an E box

02
03
04
05
06
07



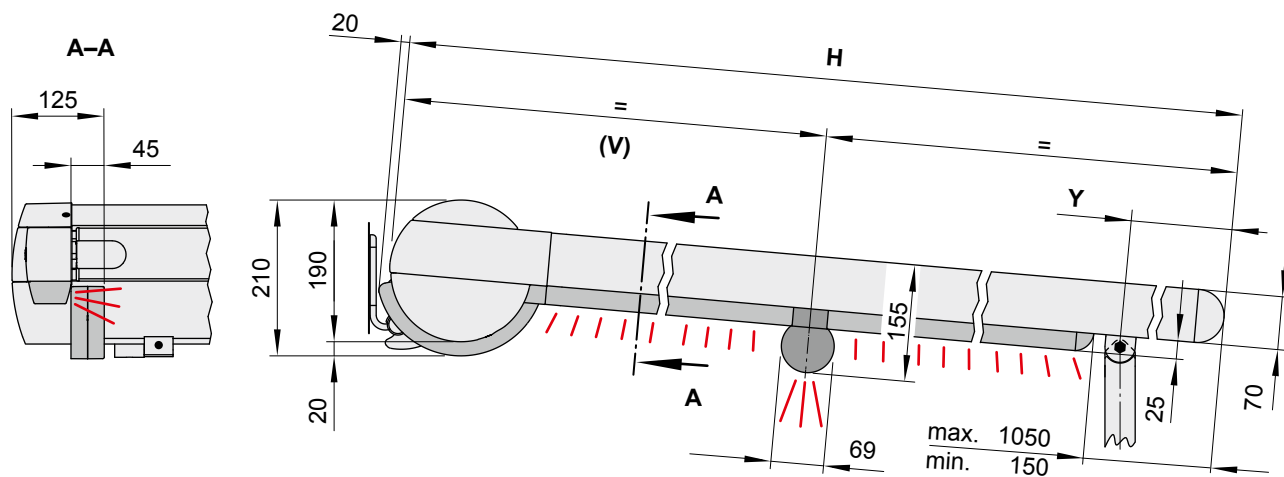
H = order dimension = extension

E-box = Please refer to "E-box for the electronics"

Y = distance from post centre to leading edge of front profile. Dimensions: min. = 100 mm, max. = 1000 mm

Option 2: LED-Line in the cover support tube, electronic components in the cover support tube

Option 3: LED-Line in the cover support tube and in the guide tracks, electronic components in the cover support tube



H = order dimension = extension

V = distance from the rear of the cassette to the centre of the cover support tube. Standard: centred ($V = H \div 2$).

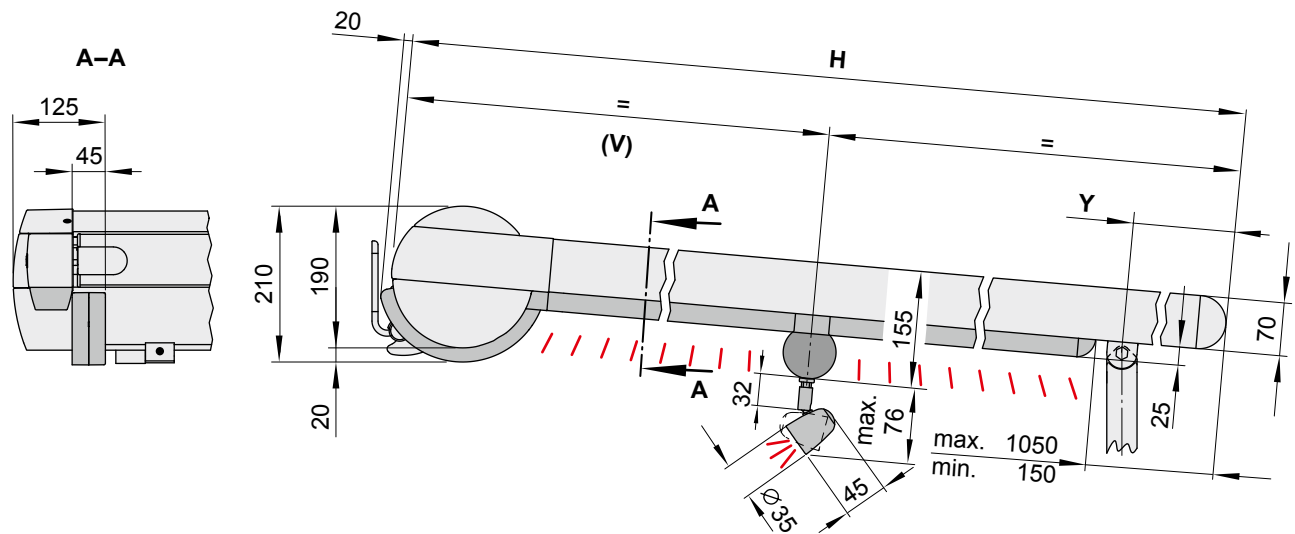
Bespoke dimensions are available on request. Dimensions: min. = 700 mm, max. = $H - 1590$ mm

Y = distance from post centre to leading edge of front profile. Dimensions: min. = 100 mm, max. = 1000 mm dimensions in mm

Dimension overview lighting options

Option 4: LED-Spots in the cover support tube, electronic components in the cover support tube

Option 5: LED-Spots in the cover support tube and LED-Line in the guide tracks,
electronic components in the cover support tube



H = *order dimension* = extension

V = distance from the rear of the cassette to the centre of the cover support tube. Standard: centred ($V = H \div 2$).

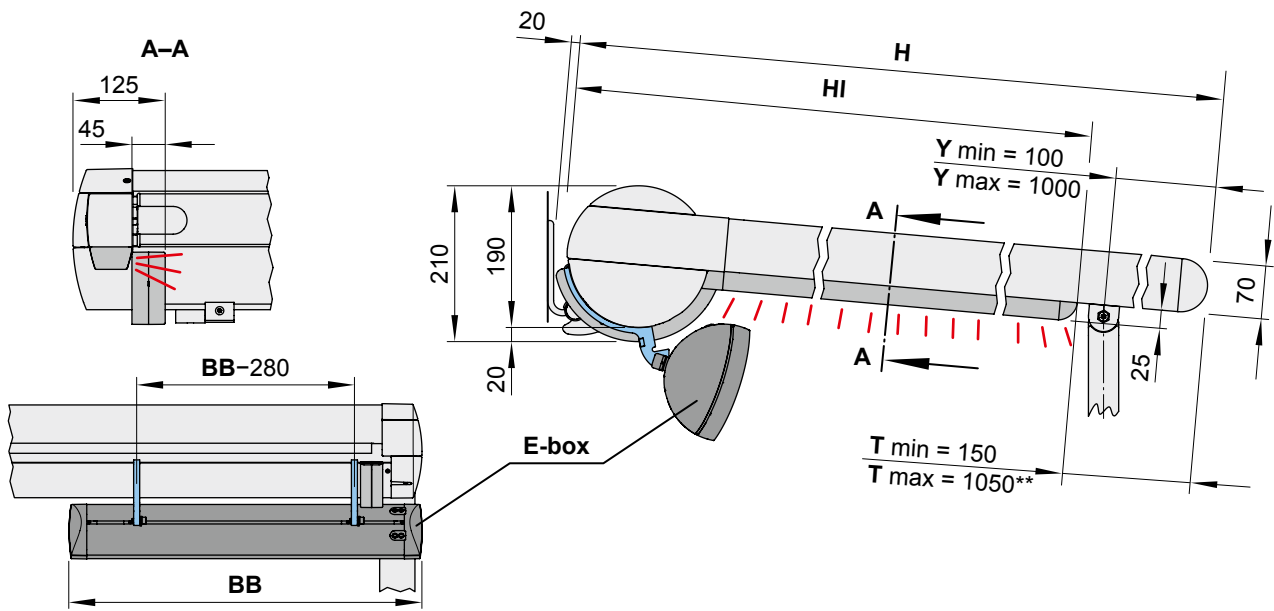
Bespoke dimensions are available on request. Dimensions: min. = 700 mm, max. = $H - 1590$ mm

Y = distance from post centre to leading edge of front profile. Dimensions: min. = 100 mm, max. = 1000 mm dimensions in mm

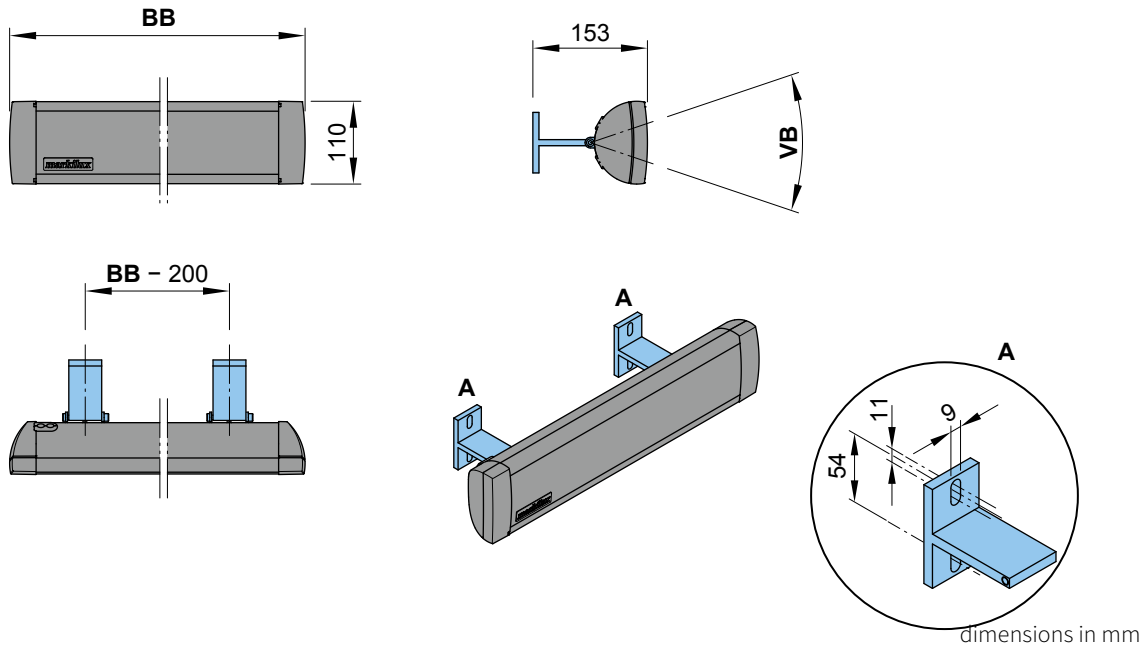
01 E-box for the electronics

In units without cover support tube

02
03
04
05
06
07



Dimension overview E-box



dimensions in mm

Minimum E-box dimensions

wireless technology	RTS (433 MHz)		868 MHz io	
Extension H	< 330 cm	≥ 330 cm	< 330 cm	≥ 330 cm

Lighting options

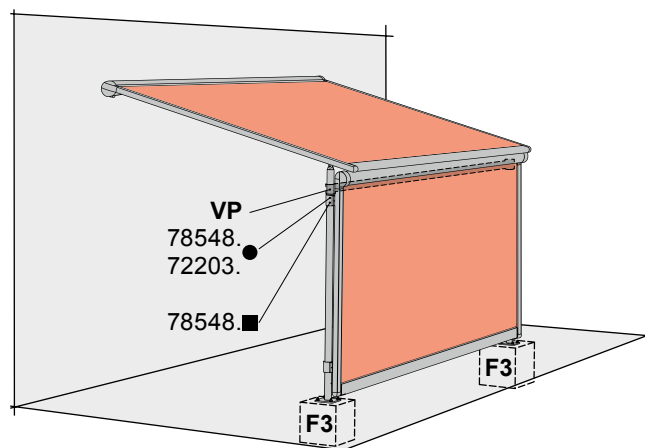
LED-Line in the Guide tracks	E-box M 71850. BB = 500 mm	E-box G 71873. BB = 700 mm	E-box M 71850. BB = 500 mm
------------------------------	----------------------------------	----------------------------------	----------------------------------

- ** = standard
- BB = order width
- E-box = in sizes M, G or I
- H = *order dimension* = extension
- T = indent dimension LED-Line
- VB = adjustment range
- Y = possible indent dimension of support post

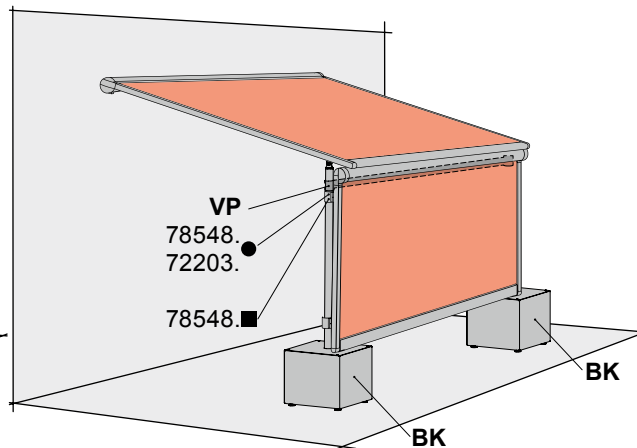
E-box | 71851. BB = to order

Combination Possibilities

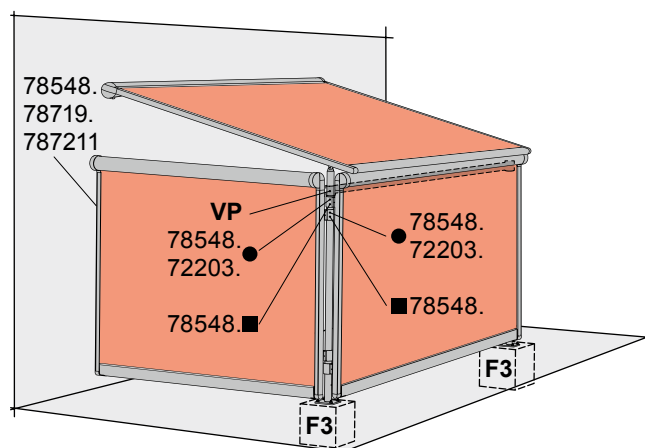
Example with markilux 776 tracfix / 876 tracfix (optionally with panorama window)



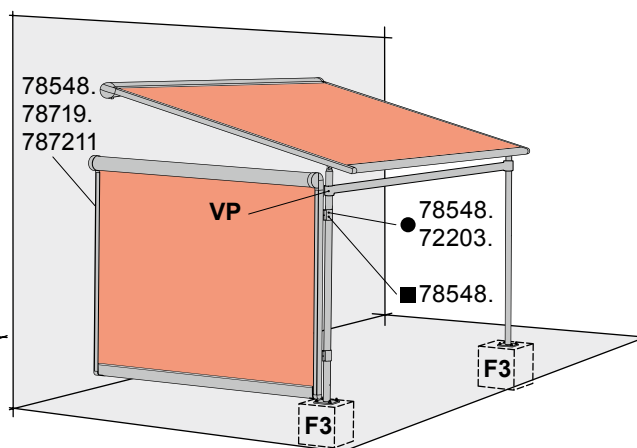
vertical cassette blind at the front



vertical cassette blind at the front, support posts with stabilisation boxes



combination with vertical cassette blinds both at the side and at the front



installation of a vertical cassette blind at the side and obligatory cross member between support posts

N.B! A vertical roller blind may only be installed at the side or the front if a stabilizing profile (VP) has been fitted.

Further possible combinations

- markilux 790 at the side (cover optionally with angled top edge)
- markilux 790 at the front between support posts
- pergola fitted to the markilux syncra or markilux construct
- Other possible combinations are available on request.

72203. = post fixture guide track (round support post)

78548. = flat track bracket

78719. = additional angled bracket, bearing / gearbox / motor side

787211 = accessories for two angled brackets

BK = stabilisation boxes (600 × 600 × 525 mm)

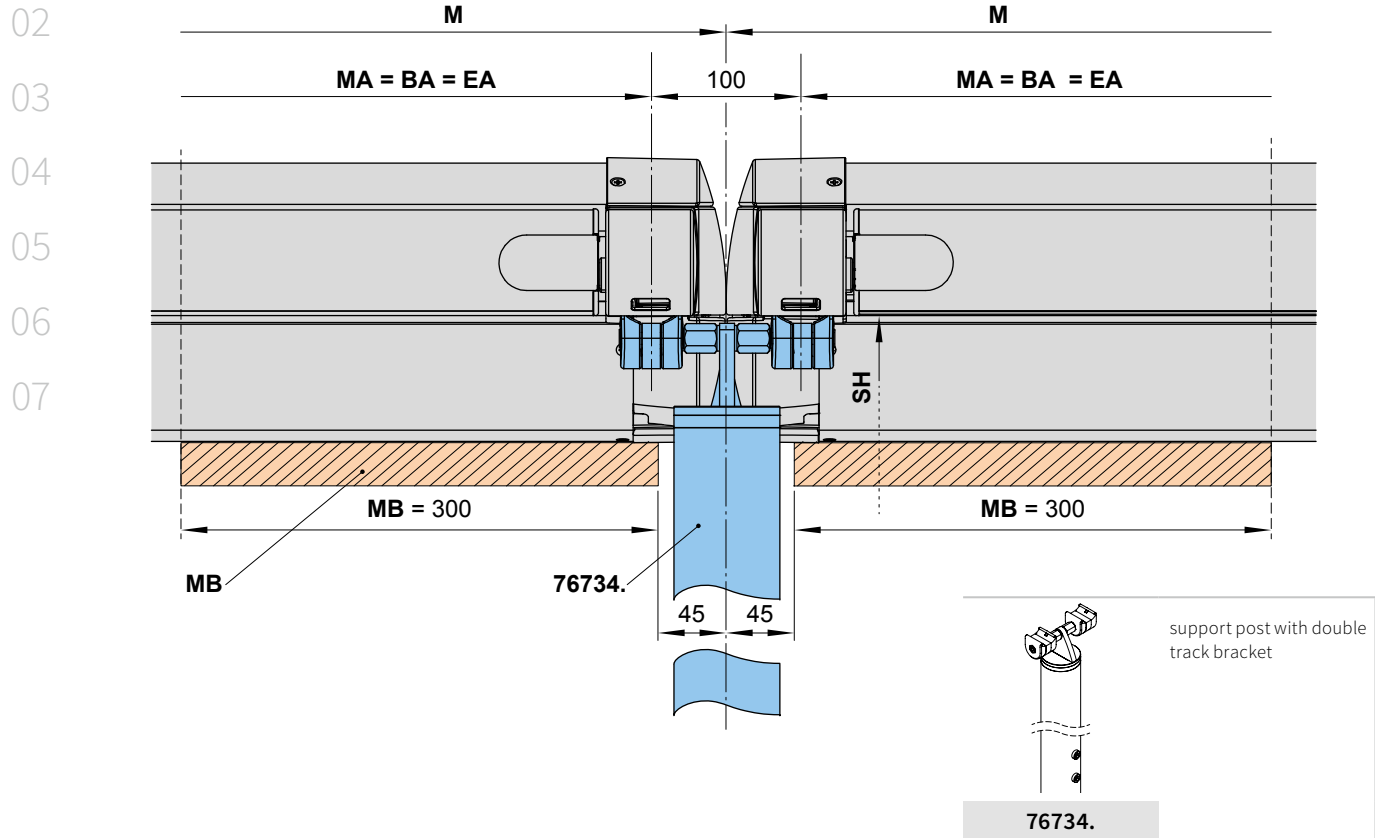
F3 = concrete footing

VP = cross member

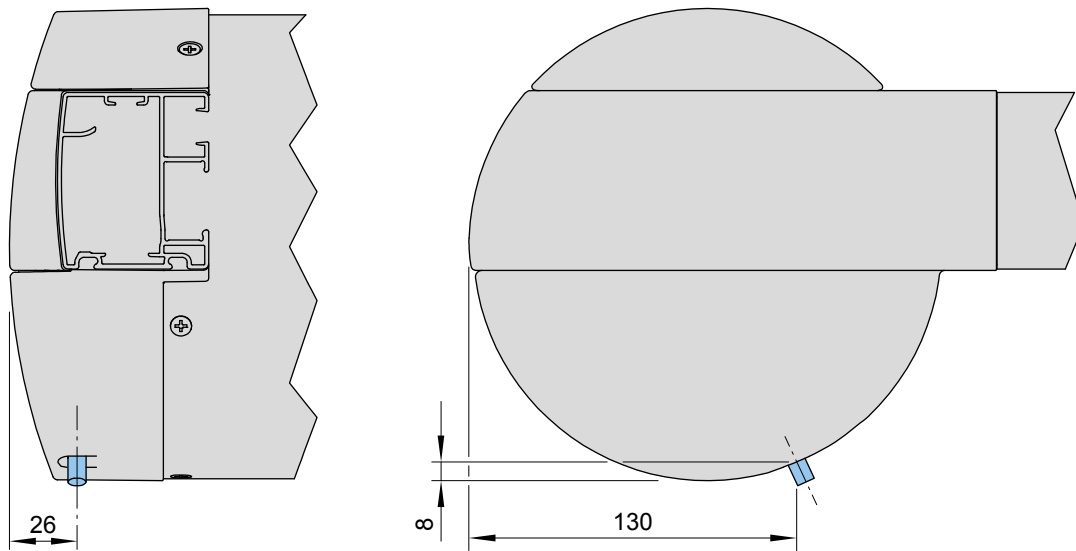
● = round post

■ = square post

01 Overview of fixture dimensions, double track bracket for single units



Motor cable exit point



76734. = support post with double track bracket

BA = width between fixture points

EA = single unit

M = overall awning width = MA + 10 cm

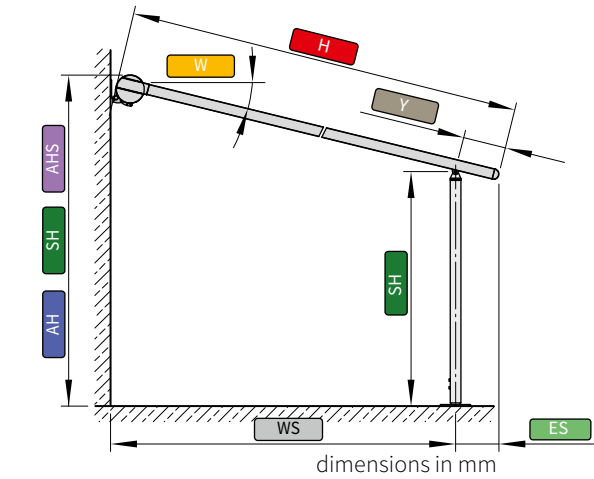
MA = *order dimension* = awning fixture width = fixture width

MB = bracket fixture range

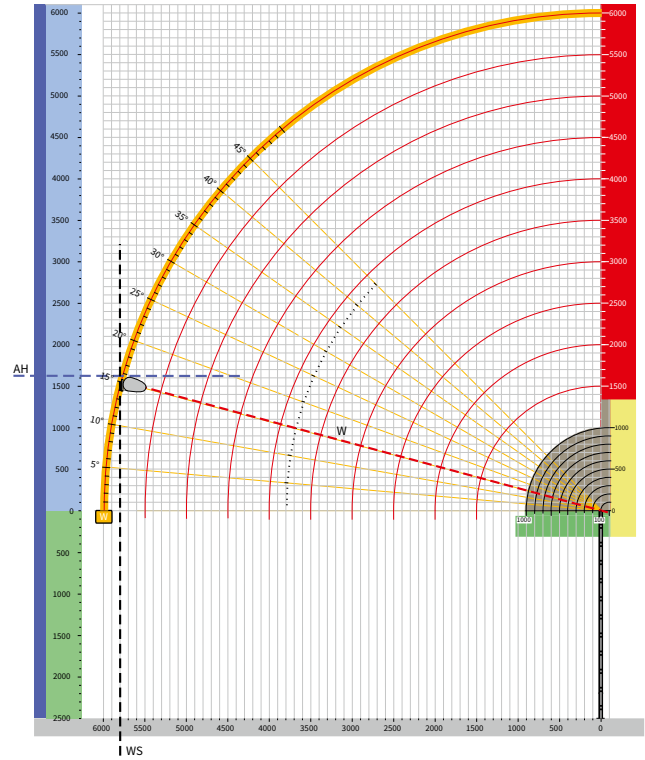
dimensions in mm

Calculation of the approximate fixture height, examples

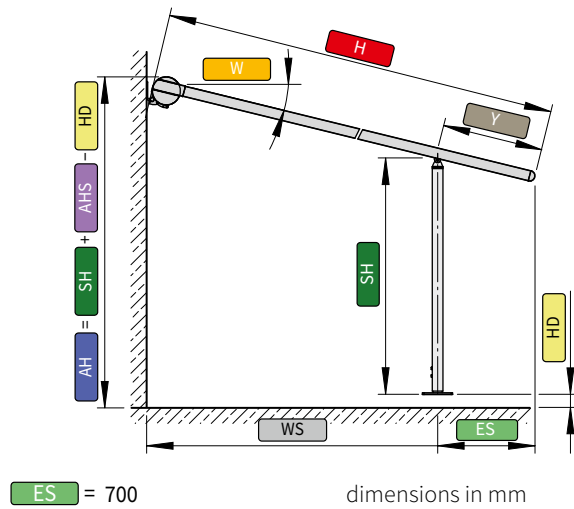
Example 1: front support posts pushed as far forward as possible, Y = 100 mm



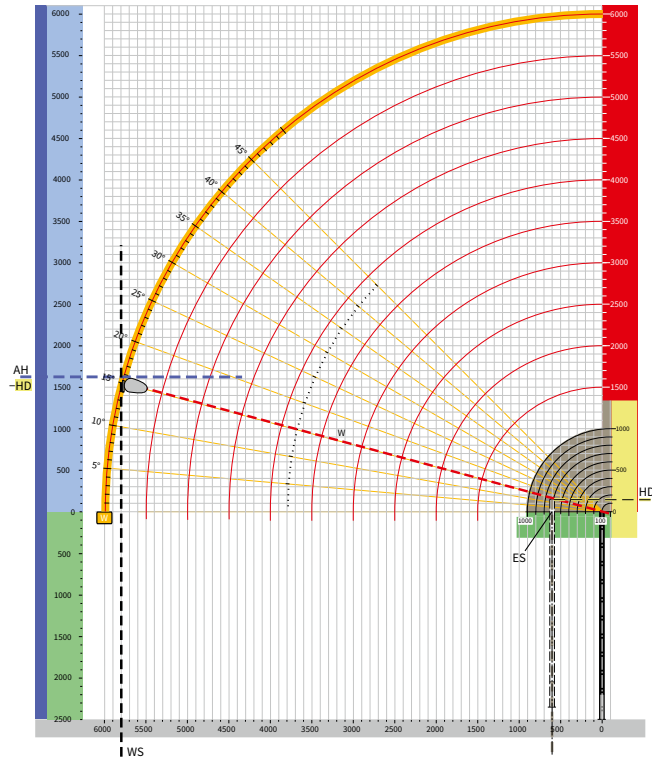
- ES = 100
- W = 15°
- H = 6000
- WS = 5800
- Y = 100
- SH = 2500
- AHS = 1620
- AH = SH + AHS = 2500 + 1620 = 4120



Example 2: front support posts pushed back, Y ≥ 100 mm and ≤ 1000 mm



- ES = 700
- W = 15°
- H = 6000
- WS = 5200
- Y = 700
- HD = 130
- SH = 2500
- AHS = 1620
- AH = SH + AHS - HD = 2500 + 1620 - 130 = 3990

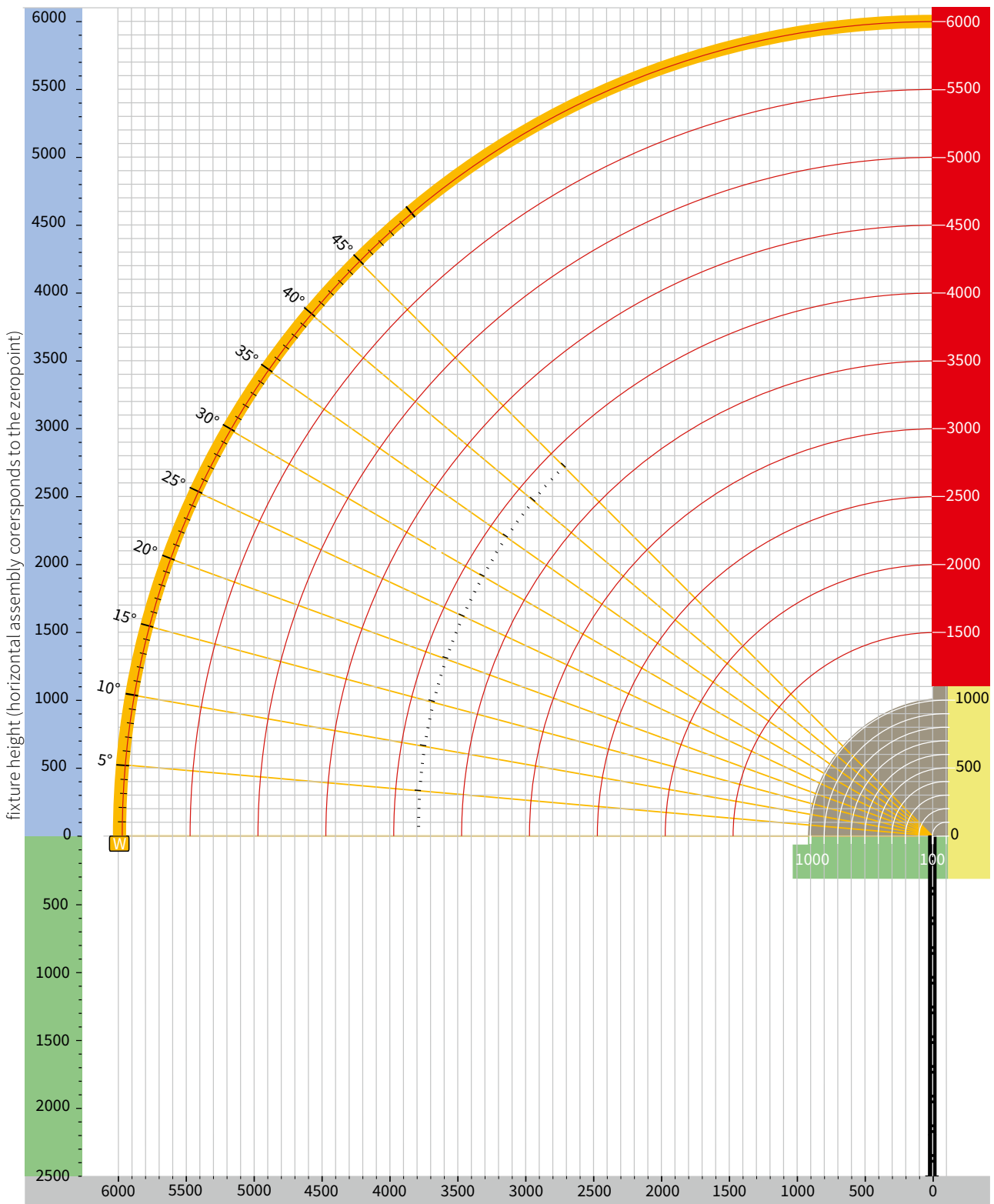


- ES = centre of support post to the leading edge of the front profile
- W = pitch
- H = extension
- WS = distance from wall ↔ support post
- Y = distance front support posts can be moved back
- HD = difference to the fixture height
- SH = support post height, standard 2500 mm
- AHS = fixture height from the top edge of the support post
- AH = fixture height

01 Calculation of the approximate fixture height

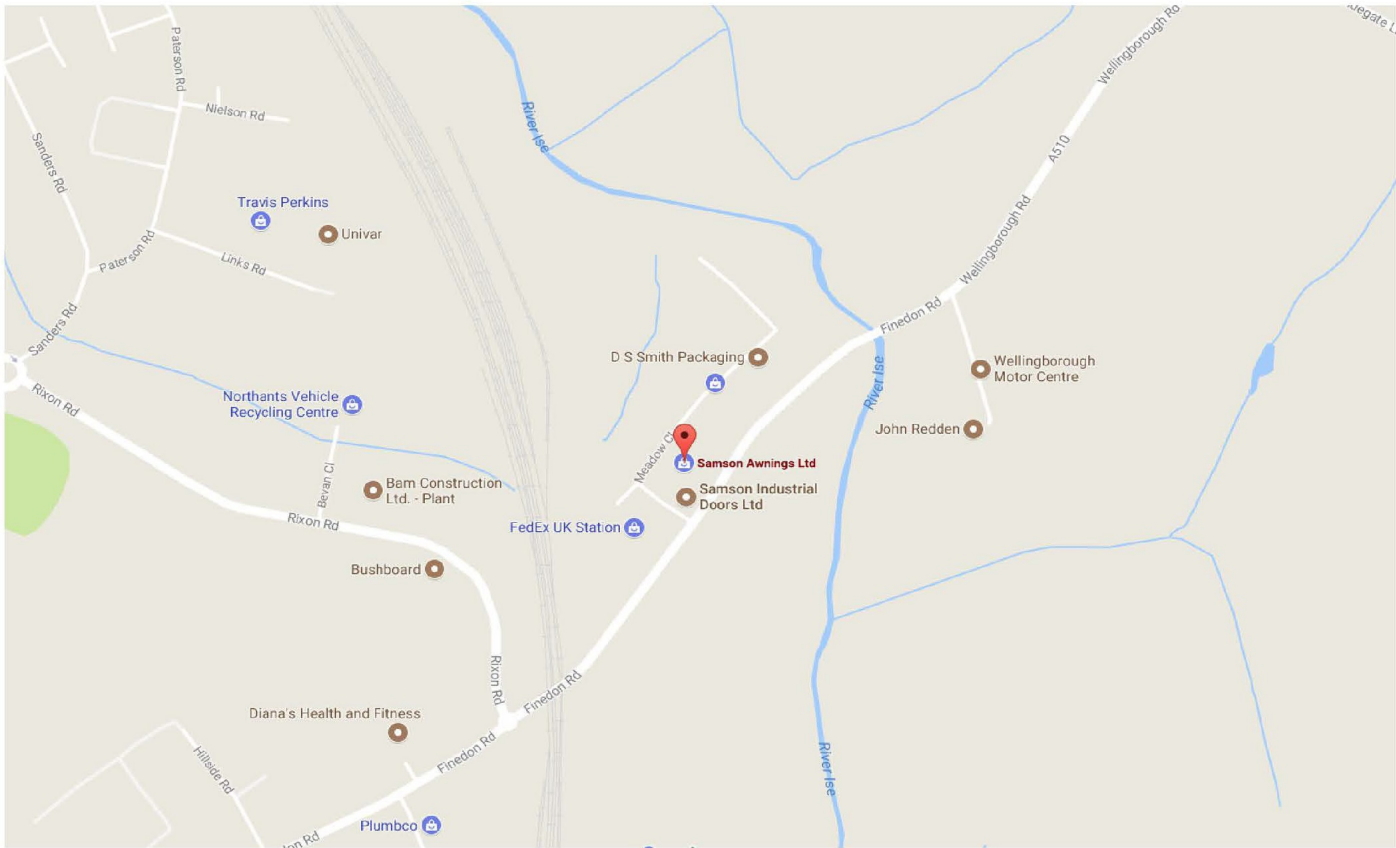
Drawing template

02
03
04
05
06
07



N.B! An on-line tool to calculate the installation measurements can be found in the protected area of the website, markiluxPRO.

dimensions in mm



Nationwide delivery and installation service

**6-8 MEADOW CLOSE
ISE VALLEY INDUSTRIAL ESTATE
FINEDON ROAD
WELLINGBOROUGH
NN8 4BH**

**EMAIL: ENQUIRIES@SAMSONAWNINGS.CO.UK
TELEPHONE: (01933) 448844
MON - FRI 8:30AM - 5:30PM**

