



## Operating instructions: type "Albatros" with accessories AZ120 /AZ024

Thank you very much for purchasing a MAY sunshade.

The following instructions include all information necessary for the correct assembly, operation and maintenance of your MAY sunshade. To guarantee absolute safety when handling your sunshade, please read these instructions carefully and then keep them for later reference.



Caution

### Non- observation of operating instructions can result in personal injuries or damage to property!

Please note that if these instructions are not observed, the manufacturer cannot assume any liability or guarantee.

- Always follow the safety regulations.
- Should you not understand any part of these operating instructions, please contact your MAY dealer.



Warning

### Wind can damage your sunshade! No guarantee possible!

- Always completely open or close the sunshade. Never leave it merely half-opened, as it is then not fully stable.
- Immediately close the sunshade whenever wind rises.
- If sunshades are erected in an exposed location (e.g. in upcurrents, on sloping ground, in wind corridors, etc.) the weight of the base must be increased.

## Unpacking the sunshade

1. Remove the caps on either end of the cardboard tube.



Caution

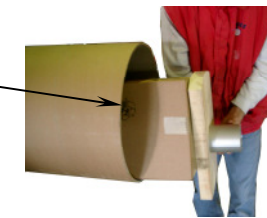
### If the sunshade is improperly withdrawn from the cardboard tube, the canopy fabric may be damaged!

When the sunshade is withdrawn, the metal brackets that fasten the tube caps can tear the fabric.

- Remove all metal brackets from either end of the protective tube before withdrawing the sunshade.

2. Remove the enclosed accessories attached to the centre pole. (headplate, hex spanner, etc.).
3. Holding the support pole, carefully pull the sunshade out of the cardboard tube.

accessories



ref. 2.



ref. 3.



Caution

### If the sunshade is laid directly onto the ground, the canopy fabric may get damaged!

When put on the ground, the canopy fabric may possibly get torn or scratched due to the weight of the sunshade.

- Ideally, the umbrella should be safely anchored at once or laid on a soft surface (e.g. a mat or blanket).



Caution

### Pulling the sunshade over rough surfaces (brinks, edges, uneven floors) damages the fabric!

- Never pull the sunshade over brinks or edges.
- Do not lean the sunshade against anything.
- When withdrawing the sunshade, place the cardboard tube on a working platform or trestle in order to be away from the ground.

## Assembling and erecting the sunshade

1. Remove the protective sleeve. (It only serves transport and storage purposes.)



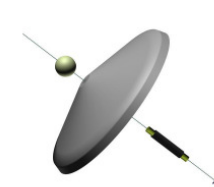
Caution

### If a knife is used to remove the packaging, the protective sleeve and the canopy fabric may get damaged!

- Do not use a knife or any other sharp instrument to remove the packaging.

2. The enclosed protective gloves should be used to avoid soiling the fabric.

3. Screw the headplate between the ornamental knob and rubber buffer. (cf. illus.)



ref. 3.

4. Use the socket head screws to fasten both the upper part of the anchor foot and the hinge plate to the bottom foot.



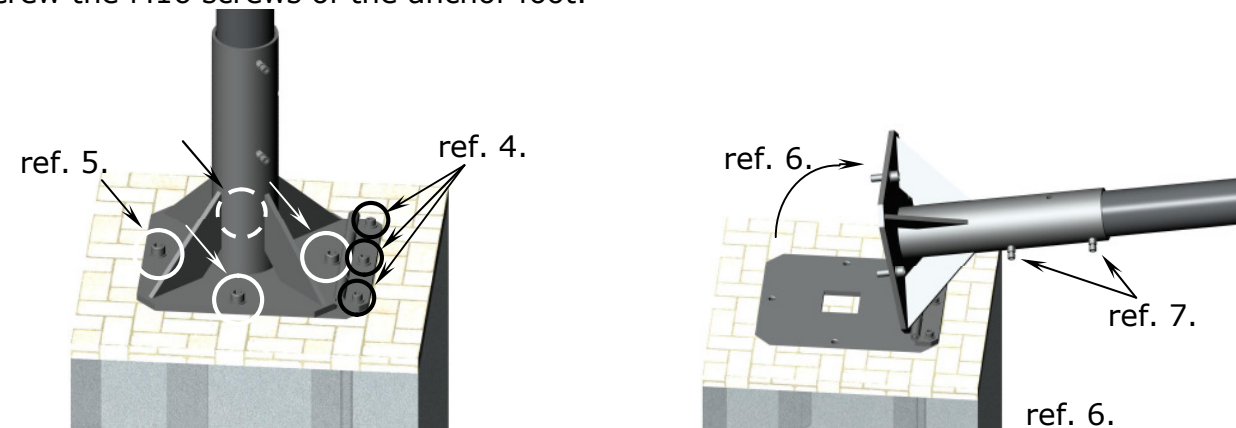
Danger

**A falling sunshade can cause serious or even fatal injury!**

If, during assembly, the anchor tube slips away, it will be impossible to hold onto the sunshade. It will fall down and possibly cause a serious accident.

- Make sure all anchor foot screws and hinges function properly.
- Tighten all hinge screws.

5. Unscrew the M16 screws of the anchor foot.



6. Tilt the upper part of the anchor foot until it is in a horizontal position.

7. Loosen the M10 socket head screws until there is sufficient clearance inside the anchor foot for the centre pole to be inserted horizontally.

8. Push the bottom end of the pole into the upper anchor foot. Then firmly tighten the M10 screws of the upper anchor foot.



Danger

**A falling sunshade can cause serious or even fatal injury!**

If, during assembly, the sunshade spins round in the anchor foot, it may become uncontrollable, fall and thus cause a serious accident.

- Tighten the M10 screws of the upper anchor foot really firmly to wedge the centre pole of the sunshade.

9. [only for sunshades operated with electric power]

Hold the sunshade in a horizontal position and connect the underground cable with the electric cable in the centre pole. (cf. illus. page 4). Allow a surplus of at least 50cm length of the underground cable and pass this into the centre pole. The cable joint must be waterproof and detachable.



Danger

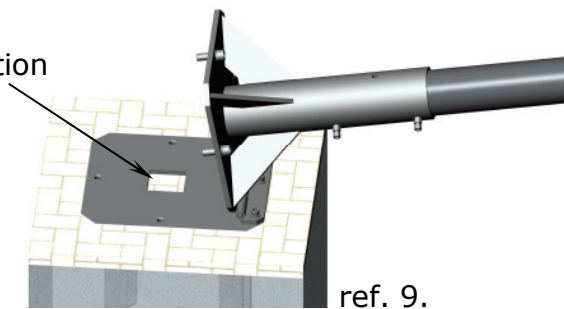
**Electric installation work should be carried out solely by a certified electrician. Disregarding this warning may result in serious personal injuries.**



Danger

**Secure your sunshade with a residual current circuit breaker / RCB or RCBO (30mA). Please note: according to legal requirements, RCB/RCBO protection switches must be checked by the operator at least every six months. Non observation may result in personal injuries.**

power connection



ref. 9.

10. Erect the sunshade.



Danger

**A falling sunshade can cause serious or even fatal injury!**

If too few people attempt to erect the sunshade, it may become too heavy and uncontrollable, thus causing a serious accident.

- It will take at least four adults to erect the sunshade.
- Make sure that there is enough room for the helpers to get out of the way in case the sunshade does start falling.
- Make sure that there are no other people standing around while the sunshade is being erected.
- Hold on to the upright sunshade until all screws have been tightened (cf. description of next steps).

11. Fasten the upper anchor foot to the bottom foot using socket head screws and serrated lock washer.



Danger

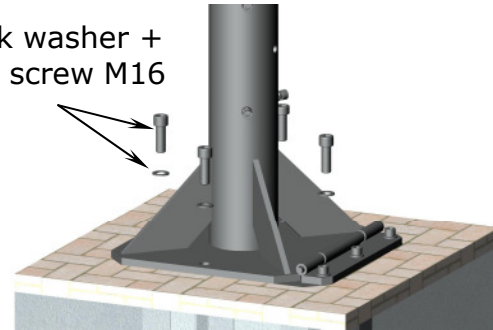
**A falling sunshade can cause serious or even fatal injury!**

If the screws are not tightened firmly enough or they work loose because no washers are used, the sunshade may topple down and cause serious or even fatal injury.

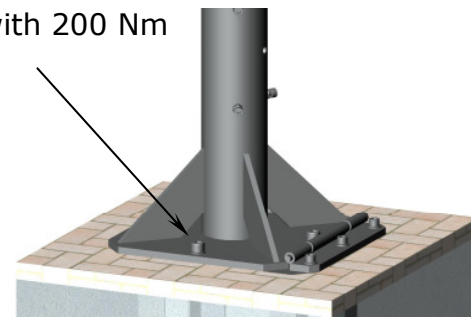
- Place the washers onto the M16 socket head screws.
- Fasten the upper anchor foot to the bottom foot (embedded in concrete) by using all four M16 socket head screws and tightening them with a torque of 200 Nm.



serrated lock washer +  
socket head screw M16



tighten with 200 Nm



## Opening the sunshade

1. Remove the strap from the canopy.
2. Insert crank or drill bit into the designated bore of the canopy mechanism and open the sunshade by turning it clockwise as far as the limit stop.



ref. 1.



Danger

### A falling sunshade can cause serious or even fatal injury!

If the sunshade is not firmly anchored in the anchor foot, it may be lifted by the wind.

- Make sure all screws of the anchor foot have been tightened firmly.



Caution

### If the crank/ drill bit is not fully inserted, it will wear!

- Always insert the crank/ drill bit right up to the limit stop.



Caution

### The sunshade can be damaged if it is opened with a drilling machine!

When opening a sunshade with a drill, driving too close to the limit stop may damage the operating mechanism.

- Always use the crank for the last few turns up to the stop.



Warning

### If the sunshade is not fully opened, it can get damaged by the wind!

- Always open the sunshade as far as the limit stop.

## Aligning the sunshade

1. Open the M10 screws of the upper anchor foot.
2. Open the sunshade. (cf. above heading: "Opening the sunshade")

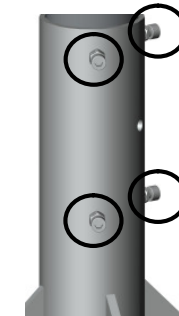


Warning

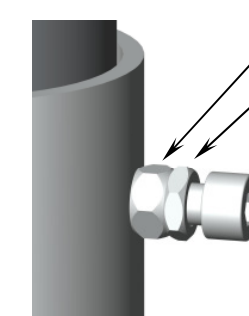
### The wind can lift the sunshade out of the upper anchor foot!

- When the M10 screws have been loosened, do not open the sunshade unless the wind is absolutely calm.

3. Turn the erected sunshade within the anchor foot until the required position has been reached (e.g. aligned parallel to the wall of the house).
4. Tighten the M10 screws on the upper anchor foot.



ref. 4.



welded nut  
locknut M10



Danger

### If the sunshade is not fully anchored, it can cause serious or even fatal injury!

If the M10 screws work loose, the wind can lift the sunshade and may cause serious or even fatal injury.

- Use only the original M10 screws supplied by us. Tighten them firmly and then secure them with the locknuts.

## Theft and anti-twisting locks



Warning

### Drilling holes for theft and anti-twisting locks may ruin the electric motor (if installed).

- If the sunshade is equipped with an electric motor, do not drill holes to mount theft and anti-twisting locks.

1. Align the sunshade into the position required. (cf. heading "Aligning the sunshade")
2. Drill the clearance hole for the theft and anti-twisting locks as follows: Holes have been provided in the anchor foot for anti-twisting mechanism. Use these as master/ guide holes and drill from either side through both the sunshade pole and the inner tube, using a  $\varnothing$  13.5 mm twist drill.





ref. 3.



ref. 3.

[only for sunshades operated with electric power]



Caution

### Drilling may damage electric cables that are routed through the pole of the sunshade.

- Make sure the cable is not energized.
- Be sure to avoid routing the cables inside the sunshade pole too close to bore holes, otherwise they will be penetrated or damaged by the drill.

3. Slip the bolt through the holes and mount the lock.

## Closing the sunshade

1. Insert the crank or the drill bit into the designated bore of the canopy mechanism and close the sunshade by turning it anti-clockwise as far as the limit stop.

- 2.



Caution

### Fabric jammed between the spokes can cause abrasion and scouring marks! No guarantee possible!

- Pull the covering fabric from between the spokes and fold it round the sunshade pole in one direction as you would with an ordinary portable umbrella.

*The photo has been tilted 90° to save space.*

ref. 3.:  
strapref. 2.:  
Pull covering fabric from between spokes  
and fold it in one direction!

- 3.



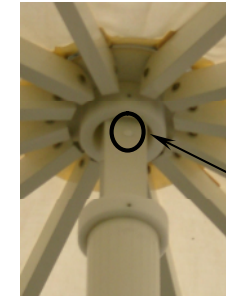
Caution

### Wind can do damage to an unsecured sunshade. No guarantee possible!

- Close the sunshade and secure it with the strap provided.

## Maintenance: Annual lubrication of the spider frame

1. Remove the cap of the rectangular tube.



ref. 1.

2. Squirt several drops of lubricating oil into the bore hole of the spider frame.
3. Put the cap back onto the rectangular tube.

## Maintenance: Cleaning the canopy fabric



Caution

### If not cleaned properly, the canopy fabric may become spoilt!

- Follow our cleaning instructions.

Stains can be removed by using either a soft brush and soap solution or a pressure washer (at max. 30° C, max. 30 bar and min. 30 cm standoff distance). Subsequently rinse well with sufficient water so that no soap residues remain in the material.

## Storing the sunshade



Caution

### The canopy fabric may be spoilt on account of improper storage!

If the following instructions are not observed, mildew may stain the material or the sewing thread may start to moulder.

- Make sure the sunshade is really dry.
- Pull the protective sleeve over the closed sunshade.
- Store the sunshade in a place where mice will not get at it. At best, leave the sunshade outside the whole year round.

## MAY maintenance and cleaning service

The MAY company will be pleased to overhaul your sunshade and clean the canopy fabric for you. However, this is only possible off-season, i.e. from October to December.

Please contact your local dealer for information on transport to the MAY premises.