

**NEW!**

# Patio Atmosphere

## SOTTEZZA II

The under-mounted conservatory awning

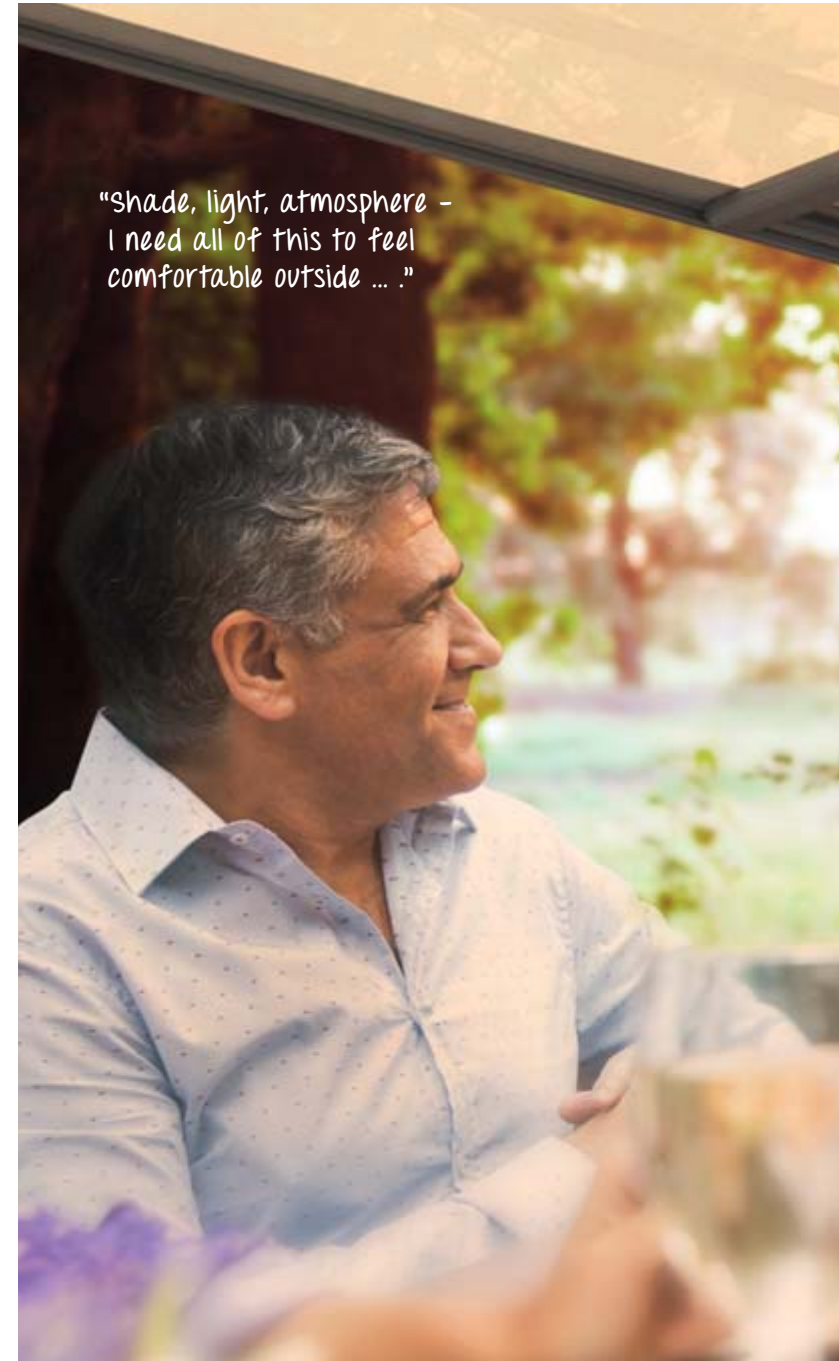
**weinor**





# PLENTY OF FABRIC

Enjoy relaxing times under your patio roof – this is the promise that is kept by your Sottezza II. The decorative inside shading is elegant, sleek and understated – and suitable for almost every patio roof. A wide range of fabric patterns brings a cosy atmosphere outdoors – strictly according to your individual taste.





# More enjoyment

Best atmosphere



The easy-care Sottezza II is mounted under the patio roof. This protects it against moisture and dirt. In this way, the fabric stays nice and clean.



### A PLEASANT ATMOSPHERE

Regardless of whether it is a conservatory or a patio roof: Sottezza II quite simply invites you to relax. And that's what you'll be able to do. That's because this awning reduces the development of heat under the glass and provides for feel-good temperatures – also in the summer. In the cooler seasons, the solar rays are used to heat up your patio area. At the same time, the Sottezza II also provides effective glare protection.



*"I am designing my patio in the way that I like it. The awning fabric has to be perfect."*



### AS THOUGH COMPLETELY SEAMLESS

The fabric and frame create an elegant design package which slots harmoniously into the visuals of your home.



Fabric collections  
155 patterns



47 frame colours  
and 9 trend colours

### BEST QUALITY FABRIC – AN ELEGANT FRAME

weinor fabrics are robust, stable, and due to the Teflon EXTREME® finishing, they are water- and soil-repellant. The innovative solution dyeing technique brings the colour pigments deep into every fibre. This ensures long-lasting colour brilliance. A choice of 150 fabric patterns is available. The framework assembly also convinces due to its variety. More than 50 standard colours are available, as well as over 150 RAL colours. In this way, you can visually match your Sottezza II perfectly with your patio roof.





“My patio is like taking a short holiday – until late into the night.”

### ENJOY IT FOR LONGER

Even when it starts to get cold and dark earlier – with the Sottezza II it stays nice and cosy under your patio roof. This is ensured by the atmospheric LED lighting and the weinor Tempura heating system. Both of these stand out with their high energy efficiency rating and are easy to control and to dim with the radio control system. A visual plus: the high power LED lighting is integrated in the awning casing. This enhances the appearance of a seamless system.

### SOTTEZZA II LED

The dimmable LEDs have an operating life of up to 30,000 hours.





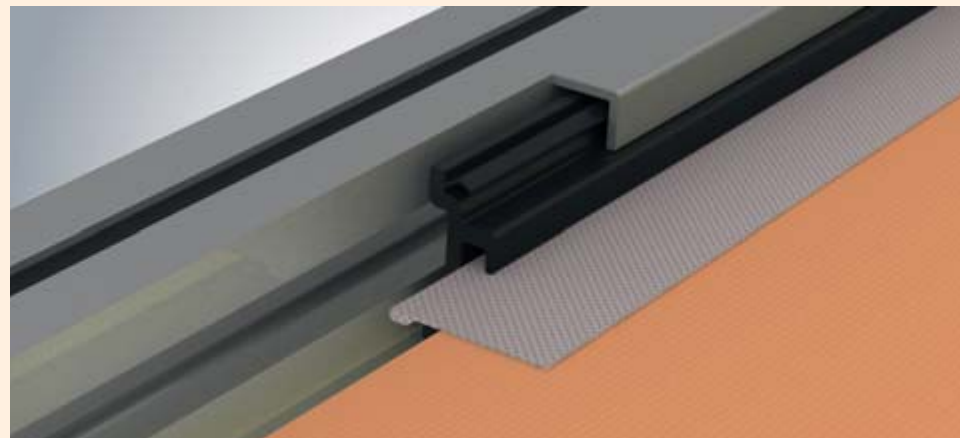
# MAXIMUM FABRIC PERFORMANCE AND BEST TENSION



The weinor Sottezza II awning convinces due to its cutting-edge technology which ensures a taut fabric. weinor offers this system in two versions: the Sottezza II Stretch and the Sottezza II OptiStretch. With the OptiStretch technology, the fabric is positioned securely in the side channel – just like a zip. Another benefit of the OptiStretch: no sideways light apertures occur, making the overall impression consistent and homogenous.

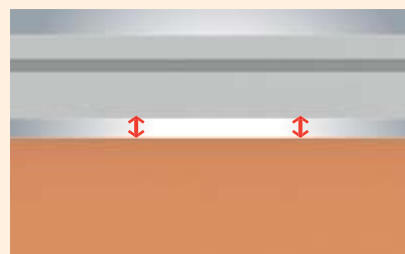


## SOTTEZZA II OPTISTRETCH – the best all-around fabric tension



As the sectional view shows, with the Sottezza II OptiStretch the fabric is guided securely in the side channel.

**Sottezza II OptiStretch** is clamped firmly on all four sides. This reduces the risk of fabric sag enormously. The problem of sideways hanging edges is also solved.



With the lower cost Sottezza II version, some light gaps remain.

With the basic version of the **Sottezza II Stretch**, the fabric is clamped firmly on two sides. A strong rope clamping system with pulley technology minimises the fabric sag and reduces the risk of the edges of the fabric hanging over sideways to the minimum.

# A mood-maker

# ALSO IN TERMS OF TECHNOLOGY

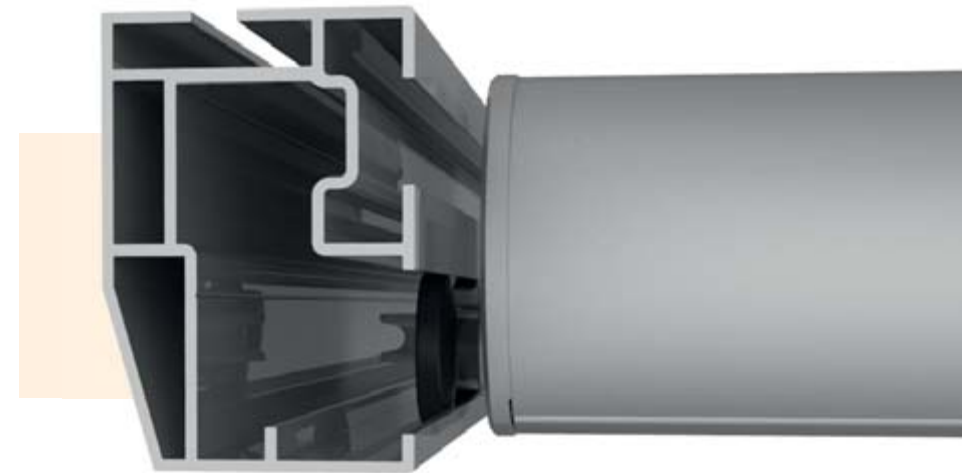
A successful design isn't just a question of the colours and styling. The technology behind them also has to be right. And this is especially the case when it is about a taut fabric.

So that the fabric maintains its straight alignment for a long time, for the Sottezza II OptiStretch and the Sottezza II Stretch, weinor uses a self-developed, tried-and-tested clamping system. The key component of this system is a tearing- and abrasion-resistant rope. The inspiration for this system is the field of ocean-going sailing technology in which extremely strong materials are necessary. weinor has taken this technology and put it to use in its awnings.

The result: an extremely strong construction which powerfully ensures a taut fabric – and guarantees an excellent and long-lasting atmosphere on your patio.

#### **WEINOR CARRIAGE SYSTEM – PRECISE AND LOW-NOISE**

The weinor carriage system stands out due to its low rolling resistance. This means that the awning is able to retract and extend quietly and easily.







### MORE CONVENIENCE DUE TO RADIO CONTROL

The weinor BiConnect radio control makes operating sun protection, lighting and heating a delight. Using a pre-programmed BiEasy hand transmitter with or without a display; in silver or black – or even using the BiEasy app.

The sun sensor makes the awning extend automatically – regardless of whether you are at home or not. This means that you will always have a pleasant, cool climate on your patio even in the case of blazing heat. Alternatively, you might want to opt for the Somfy io-homecontrol® home automation system or the Somfy RTS radio control system instead – the choice is yours.



Hand transmitter with BiEasy 1M or 5M LED

Hand transmitter with BiEasy 15M display and BiEasy app



Alternatively, you can also operate every technical element on your patio using io-homecontrol® from **somfy**.



**weinor GmbH & Co. KG**

Mathias-Brüggen-Straße 110 | D-50829 Cologne | [www.weinor.com](http://www.weinor.com)

*We reserve the right to make technical changes. For technical reasons, the colours may appear slightly different when printed.*

**Awnings   Patio roofs   Glasoasen®**