



# Installation Data

for industrial sectional doors  
Vaild from 1 March 2009



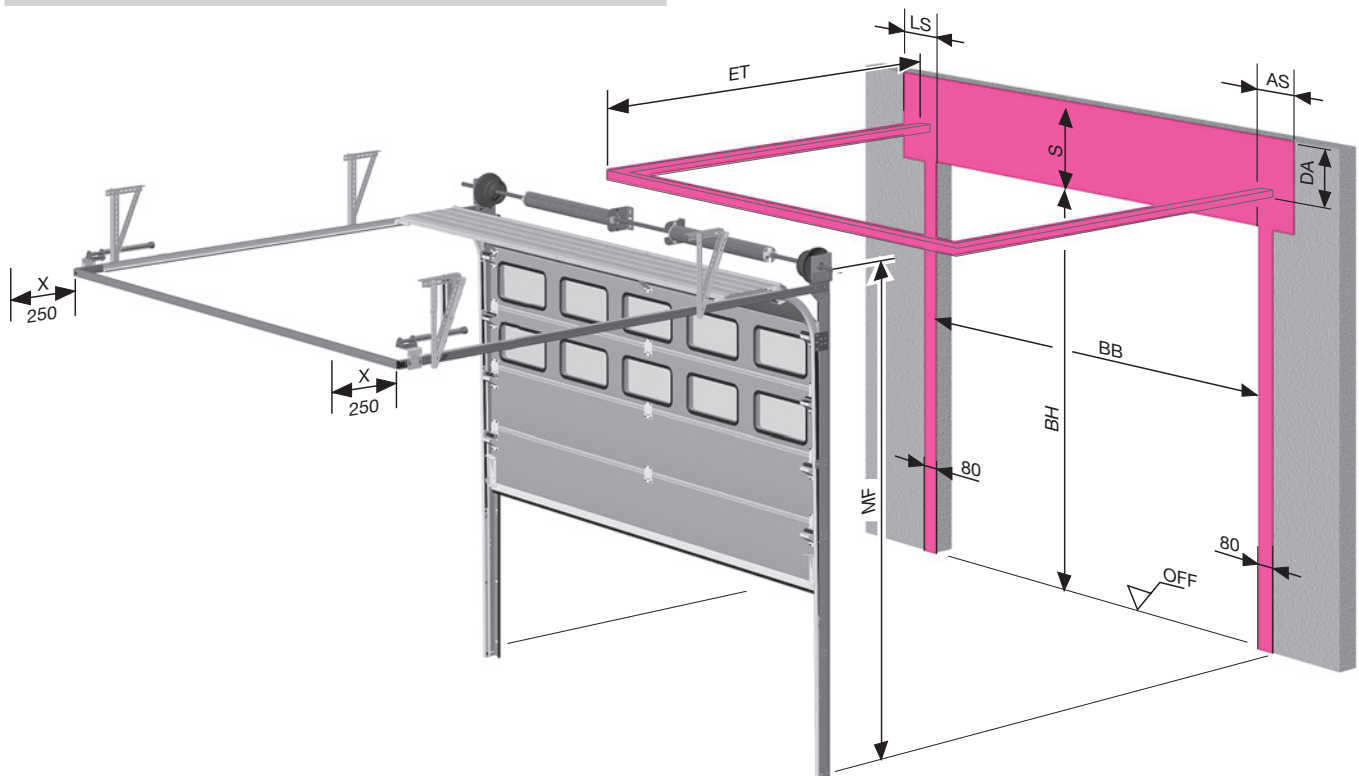
**Doors · Frames**  
www.samsondoors.co.uk

## 6. Required space type "N" - normal fitting

Required sideroom	LS	AS
Manual operation	110	110
Gearred chain	110	185
Direct drive	110	210
Chain drive	110	150
Overhead drive IT 252.2 on request: - BH ≤ 3000 - only for doors with 500 section - max. 48 cycles / day		
All measurements in mm		

Number of required suspensions	
Up to depth of 3500 mm	2 suspensions per side
Up to depth of 4500 mm	3 suspensions per side
Up to depth of 5500 mm	4 suspensions per side
Above depth of 5500 mm	5 suspensions per side

Required headroom	DA	S	MF
BH ≤ 3600	260	400	BH + 310
BH ≥ 3601 ≤ 5500	310	450	BH + 350
BH ≥ 5501 ≤ 6000	360	500	BH + 375
BH above 6000 on request			
Installation depth	ET		
	BH + 525 + X		



AS: Sideroom on drive side  
 BB: Order dimensions width  
 BH: Order dimensions height  
 DA: Ceiling distance  
 ET: Installation depth

LS: Sideroom on bearing side  
 MF: Middle of spring shaft  
 S: Headroom  
 X: Spring buffer projection

# 14. Required space type "NSH" - low headroom fitting

Required sideroom	LS	AS
Manual operation	120	120
Gearred chain	120	120/185 <sup>1</sup>
Direct drive (max. 20 rpm)	120	120/210 <sup>2</sup>
Chain drive	120	120/150 <sup>3</sup>
Overhead drive <sup>4</sup>	120	120

<sup>1</sup> With geared chain on the outside (chain only possible with hanging installation / clear passage height is reduced)

<sup>2</sup> With direct drive on the outside

<sup>3</sup> With chain drive on the outside

<sup>4</sup> Overhead drive IT 252.2 on request:  
 - BH ≤ 3000  
 - only for doors with 500 section  
 - max. 48 cycles / day

All measurements in mm



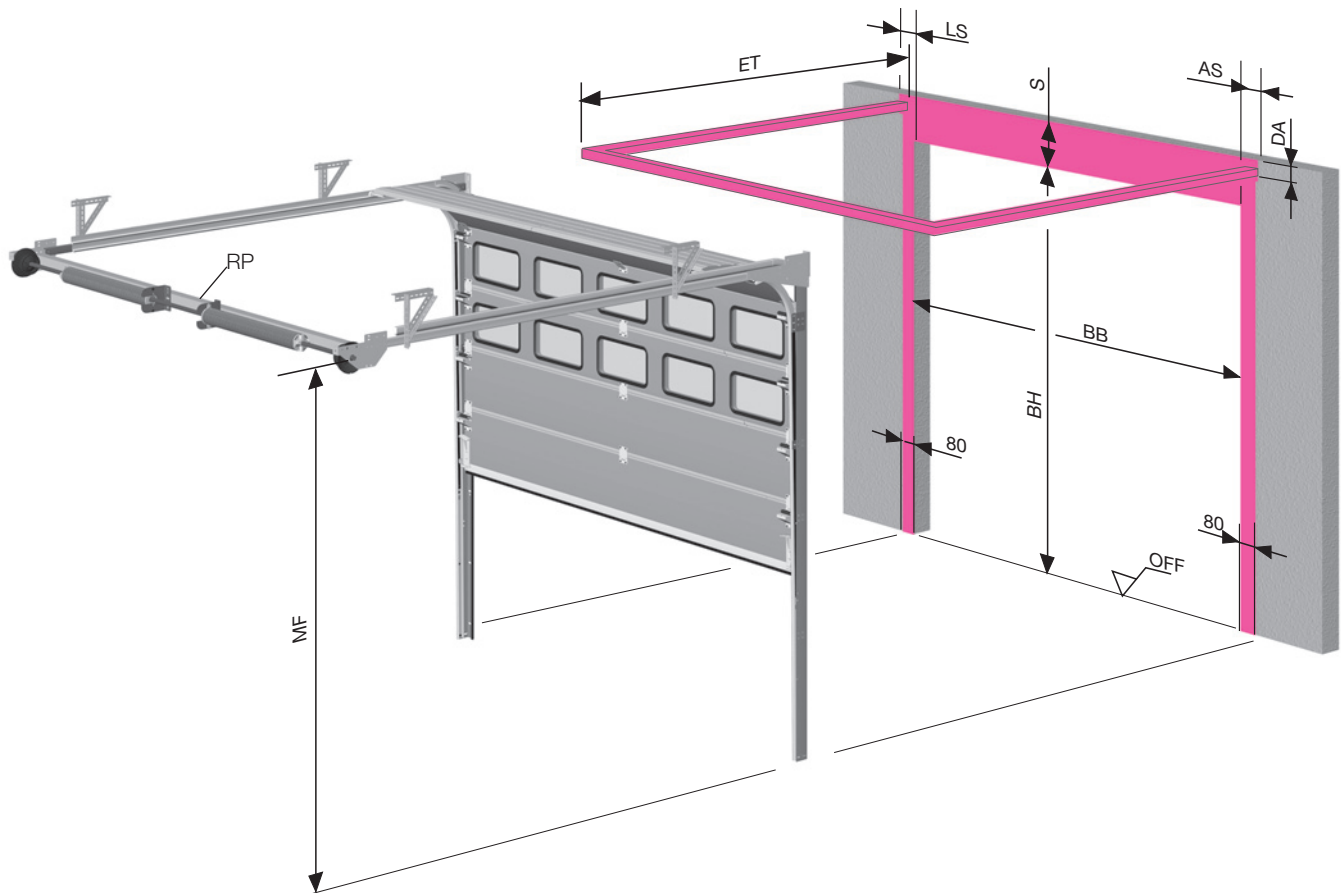
We recommend a drive with "overhead installation", emergency handcrank or emergency unlocking.

Required headroom	DA	S	MF
Manual operation	135	270 <sup>5</sup>	BH + 95
With overhead drive	185	300	BH + 95
With wicket door / overhead drive	185	300	BH + 95
With direct drive	135	270 <sup>5</sup>	BH + 95
BH ≤ 5500, max. 23 m <sup>2</sup> door surface			
BH above 5500 on request			
<sup>5</sup> Headroom height 250 possible on request			

Installation depth	ET
Manual operation, without drive	BH + 900
Direct drive with hanging installation	BH + 1000
Direct drive with horizontal installation	BH + 1150

Number of required suspensions	
Up to depth of 3500 mm	2 suspensions per side
Up to depth of 4500 mm	3 suspensions per side
Up to depth of 5500 mm	4 suspensions per side
Above depth of 5500 mm	5 suspensions per side



- AS: Sideroom on drive side
- BB: Order dimensions width
- BH: Order dimensions height
- DA: Ceiling distance
- ET: Installation depth

- LS: Sideroom on bearing side
- MF: Middle of spring shaft
- RP: Tubular profile to secure spring system
- S: Headroom