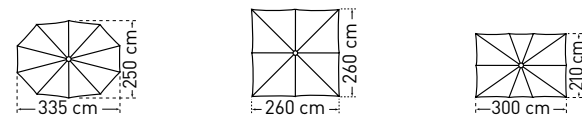
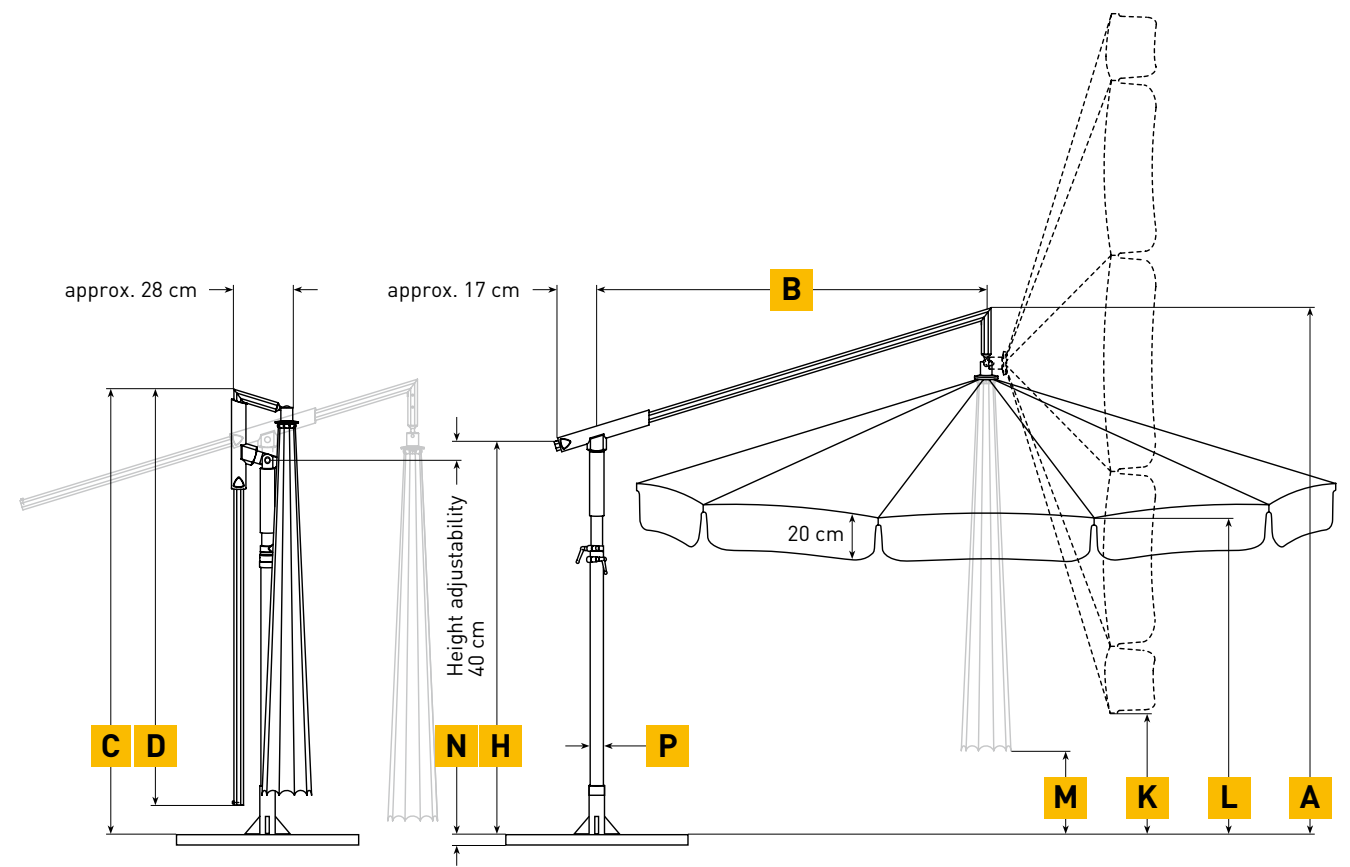


DACAPO standard model DG		Ø 2.5 m	Ø 3.0 m	Ø 3.3 m <sup>3)</sup>	Ø 3.5 m <sup>2) 3)</sup>
Segments		10	10	10	10
Area	m <sup>2</sup>	4.9	7.1	8.5	9.6
<b>A</b>	min. / max.	cm	250 / 290	250 / 290	250 / 290
<b>B</b>		cm	160	160	180
<b>C</b>	min. / max.	cm	222 / 262	222 / 262	222 / 262
<b>D</b>		cm	185	185	205
<b>H</b>	min. / max.	cm	195 / 235	195 / 235	195 / 235
<b>K<sup>1)</sup></b>	min. / max.	cm	100 / 140	80 / 120	60 / 100
<b>L<sup>1)</sup></b>	min. / max.	cm	180 / 220	170 / 210	170 / 210
<b>M<sup>1)</sup></b>	min. / max.	cm	69 / 109	69 / 109	50 / 90
Weight without packaging	kg	18	19	19	20
<b>P</b>	Support pole diameter	mm	outer-Ø 55, pole thickness 3		
Packaging		rectangular cardboard box: l= 235 cm, b= 37 cm, h= 15 cm, approx. 3 kg			
Installation base length/width/min. depth	cm	50 / 50 / 60			
Minimum ballast incl. full frame pedestal DMZ411		1 layer of concrete slabs XZ40 = approx. 95 kg		2 layers of concrete slabs	



DACAPO standard model DG		2.5 x 3.35 m <sup>1) 4)</sup>	2.6 x 2.6 m	2.1 x 3.0 m <sup>4)</sup>
Segments		10	8	10
Area	m <sup>2</sup>	6.8	6.8	6.3
<b>A</b>	min. / max.	cm	250 / 290	250 / 290
<b>B</b>		cm	180	180
<b>C</b>	min. / max.	cm	222 / 262	223 / 263
<b>D</b>		cm	205	207
<b>H</b>	min. / max.	cm	195 / 235	195 / 235
<b>K<sup>1)</sup></b>	min. / max.	cm	100 / 140	102 / 140
<b>L<sup>1)</sup></b>	min. / max.	cm	171 / 211	192 / 231
<b>M<sup>1)</sup></b>	min. / max.	cm	42 / 82	42 / 81
Weight without packaging	kg	20	20	20
<b>P</b>	Support pole diameter	mm	outer-Ø 55, pole thickness 3	
Packaging		rectangular cardboard box: l= 235 cm, b= 37 cm, h= 15 cm, approx. 3 kg		
Installation base length/width/min. depth	cm	50 / 50 / 60		
Minimum ballast incl. full frame pedestal DMZ411		1 layer of concrete slabs XZ40 = approx. 95 kg		

<sup>1)</sup>Sizes without valance: with valance less 20 cm.

<sup>2)</sup>Ø 3.5m: in MayTex-Poly only.

<sup>3)</sup>Additional pedestal weight may be required for windy locations (upwind, sloping sites and so on). Do not use granite base. Pedestals require 2 sets of concrete slabs.

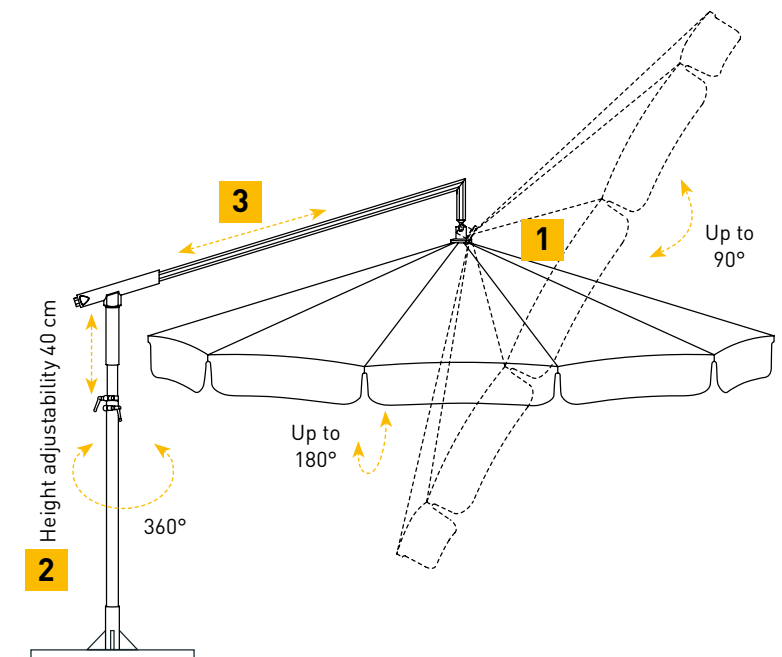
<sup>4)</sup>The canopy is vaulted, so that the corner spokes are approx. 9-18 cm lower than the centre spokes. (cf. sketch).

**N** The heights specified are for parasols with MayTex-Acryl covering fabric that are mounted in an anchor tube (DMZ118, DMZ146, DMZ150). The increase in height for parasols with other installation bases can be seen in the list below:

- Cross pedestal: DMZ110 + 6 cm
- Full frame pedestal: DMZ411 + 9 cm
- Full frame pedestal: DMZ412 + 12 cm
- Full frame pedestal: DMZ414 + 16 cm
- Full frame pedestal: DMZ420 + 19 cm
- Granite base: DMZ141 + 10 cm
- Wheeled pedestal: DMZ282 + 14 / 15 cm
- Anchor plate: DMZ261 + 4 cm

**Adjustable to suit your individual needs**

- 1** No matter where the sun is, the parasol canopy can be tilted at any angle for shade and protection, then locked. (DG and DK).
- 2** Effortless height adjustment thanks to standard incorporation of a pneumatic spring in the support pole (DG and DK).
- 3** The cross arm can easily be adjusted (DG).



All measurements are to be understood as approximate.

