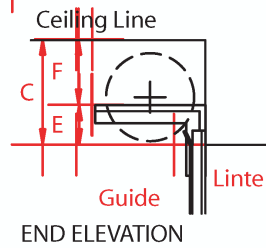
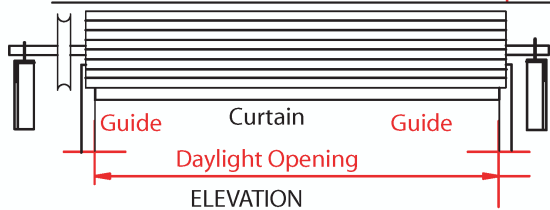
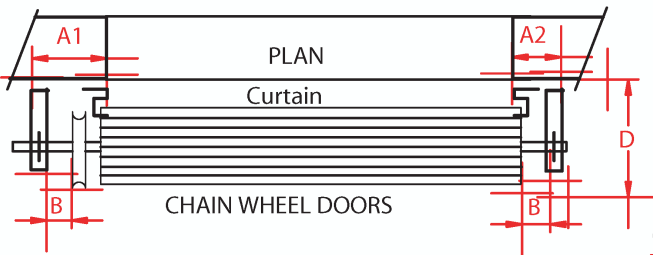
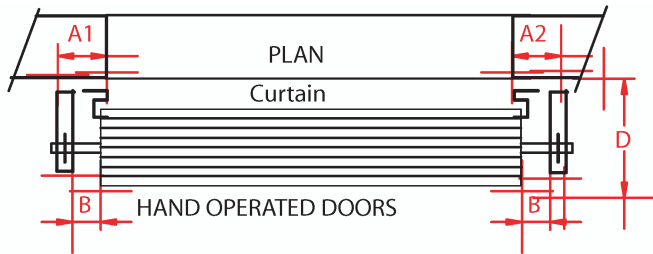
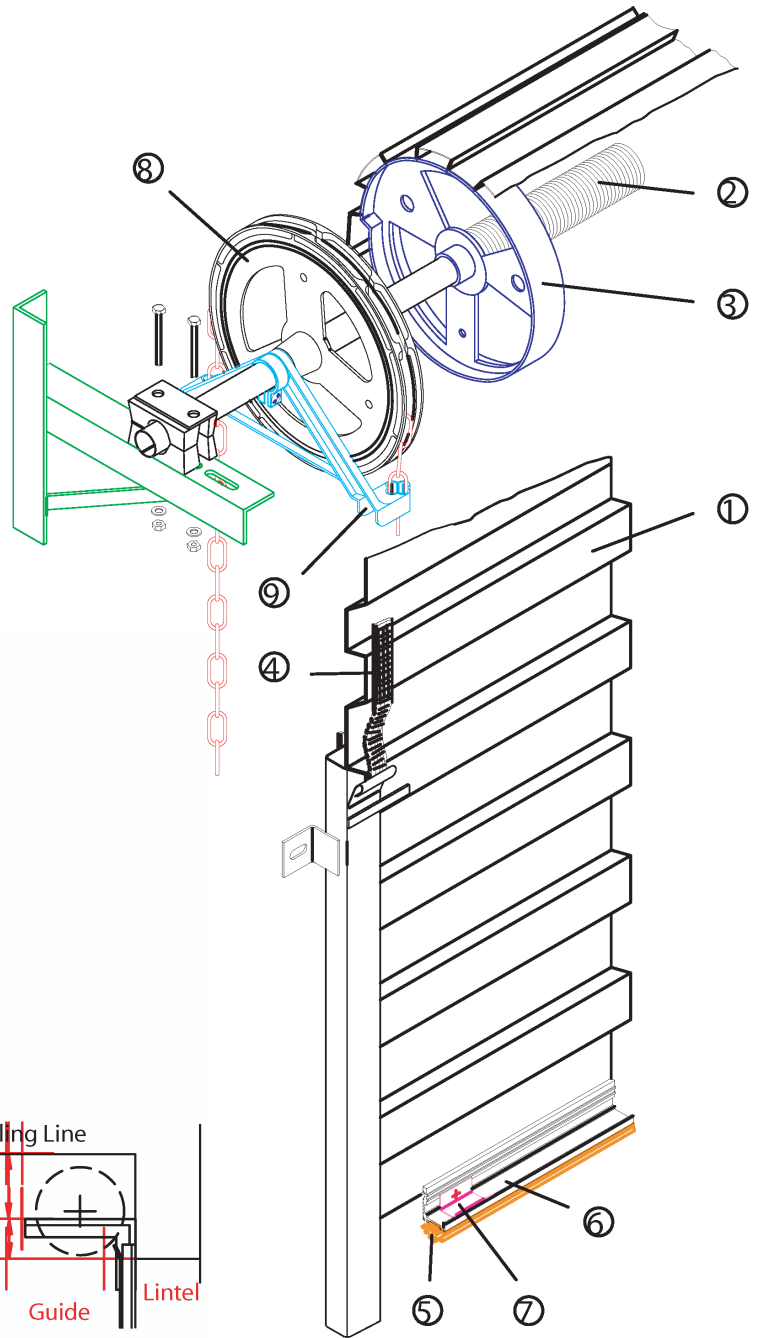


Gliderol Light Industrial Roller Door Specification

Features:

1. Roller Door Curtain
2. Spring Assistance
3. Drum Wheel
4. Polyglide
5. Weatherseal
6. Bottom Rail
7. Door Stop/Roller
8. Direct Chain Wheel
9. Chain Guide



DIMENSION PANEL (minimum sizes)					mm		
SERIES B INDUSTRIAL	Side Room A1	Side Room A2	B	Head Room C	D	E	F
Hand Operated Upto 2400 high	150	125	50-100	460	540	190	270
Upto 3000 high	150	125	50-100	490	560	205	285
Chain Operated Upto 2400 high	225	125	50-100	460	540	190	270
Upto 3000 high	225	125	50-100	490	560	205	285
Over 3000 high	225	125	50-100	530	580	230	300
STANDARD CURTAIN WIDTHS							
1000, 1300, 1600, 1900, 2200, 2800, 3100, 3430, 3700, 3760, 4300, 4370, 5000, 5100,							
CURTAIN WIDTH							
DAYLIGHT OPENING PLUS 100mm							