

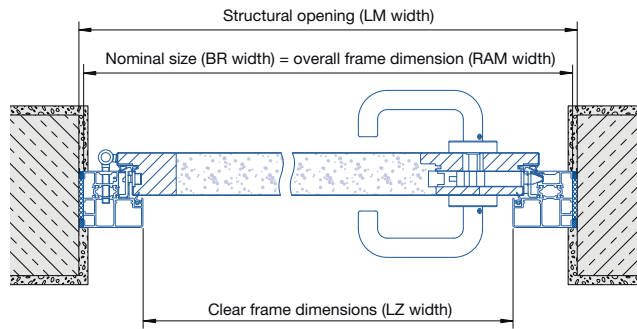
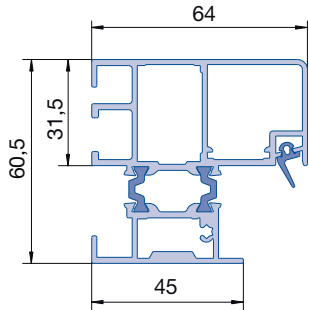
MZ Thermo / MZ Thermo Left / Right

With block frame for fitting in the opening (profile A2)



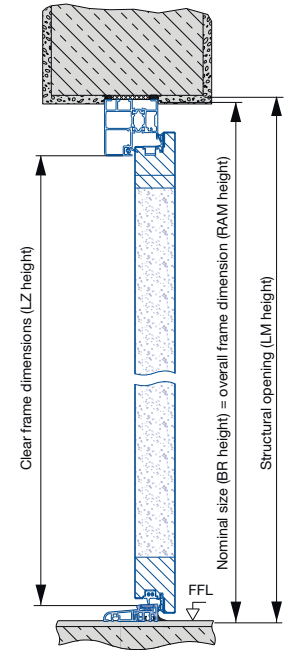
Subject to changes

Fitting dimensions

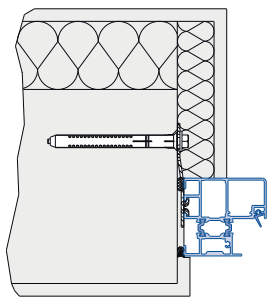


Nominal size (ordering size)

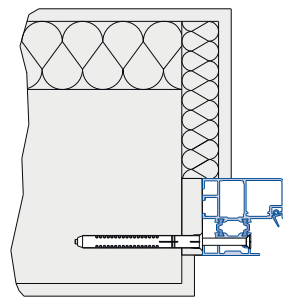
Clear frame dimensions	BR width – 128 mm	BR height – 84 mm
Structural opening	BR width + 20 mm	BR height + 10 mm



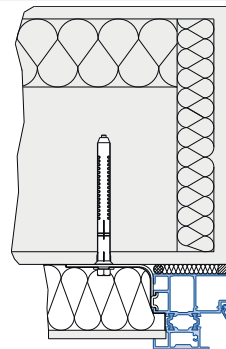
Fitting method



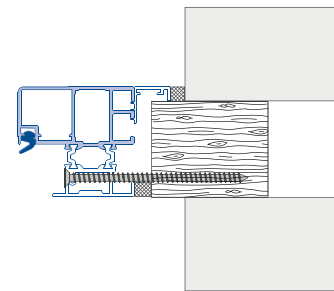
Anchor fitting



Countersunk fitting
(drill holes on site)

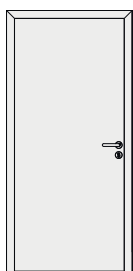


Anchor fitting to the wall

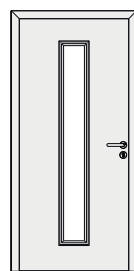


Supplementary profile (option)

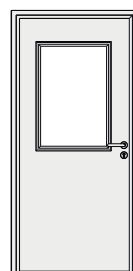
Front view



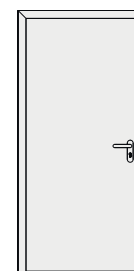
MZ Thermo – TPS 011



MZ Thermo – TPS 021
Exterior laminated safety glass,
interior Mastercarré single-pane
safety glass,
Clear view 172 × 1562 mm



MZ Thermo – TPS 051
Exterior laminated safety glass,
interior Mastercarré single-pane
safety glass,
Clear view 531 × 887 mm



MZ Thermo left / right – TPS 081

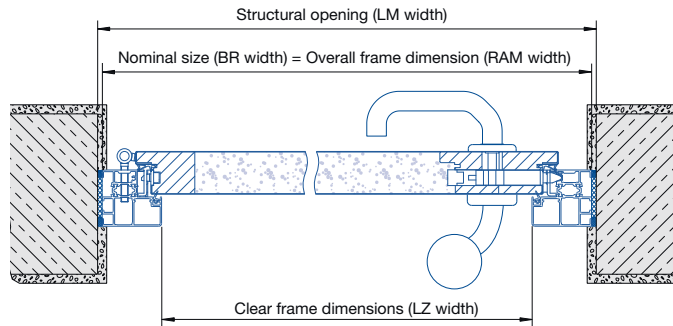
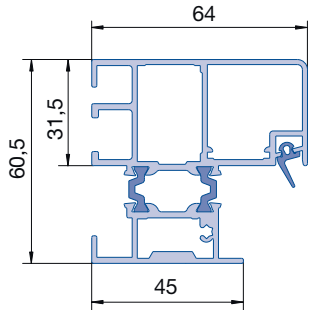
KSi Thermo

With block frame for fitting in the opening (profile A2)



Subject to changes

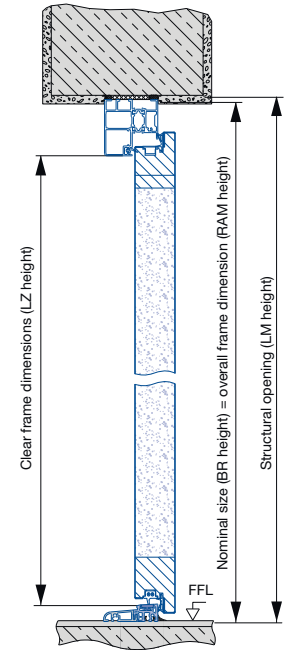
Fitting dimensions



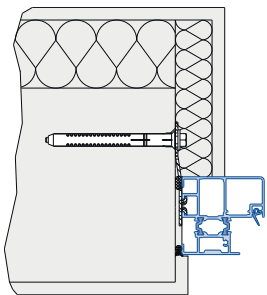
Nominal size (ordering size)

Clear frame dimensions	BR width - 128 mm	BR height - 84 mm
Structural opening	BR width + 20 mm	BR height + 10 mm

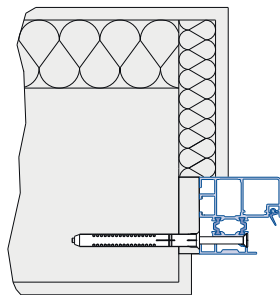
Attack side = closing side



Fitting method

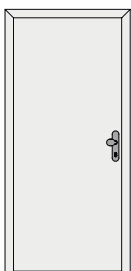


Anchor fitting



Countersunk fitting
(drill holes on site)

Front view



KSi Thermo