

Comfort 220.2

1.04 Operator system for garage doors



[E O S] EASY OPERATING SYSTEM

Comfort 220.2

Article	Article no.	Price each
Motor unit Comfort 220.2	84 303	

Package

- Motor unit Comfort 220.2 with multibit remote control 868 MHz
- Digital 302 Mini hand transmitter, 2-channel
- Universal mounting kit for up-and-over doors and sectional doors

Electrical details

Nominal voltage	230 V
Nominal frequency	50/60 Hz
Power consumption	1,1 A
Power input in operation	0,25 KW
Power input stand-by	ca. 4 W
Operation mode (duty cycle)	KB 2 min.
Control voltage	24 V DC
Protection category	(motor unit) IP 20
Protection class	II

Mechanical details

Push and pull force	600 N
Door travel speed	140 mm/sec.
Opening time (door-specific)	approx. 15 sec.

General details

Measurements	(motor unit) 220 x 125 x 395 mm
Weight (total)	3,8 kg
Range of temperature	-20°C to +60°C
Illuminant (energy-saving bulb)	1 x 11 W, E14

Function

- Economy mode
- Reference point technique
- Electronic travel cut-out
- Soft start/soft stop
- Push-open security device
- Anti-blocking device
- Excess travel stop
- Release from inside
- Connection pushbuttons, code keypads and key switches
- Automatic cut-out 'Open' and 'Close' separately programmable
- Partial opening programmable
- Door travel speed 'Open' and 'Close' separately programmable
- Soft run position 'Open' and 'Close' separately programmable
- Soft run travel speed 'Open' and 'Close' separately programmable
- 3 minutes light for garage door lighting programmable
- Automatic timer function
- Connection potential-free limit switch information
- Retrofitting of potential-free signal relay possible, for: signal light, wiping impulse, 3 minutes light, final position message, alarm system and malfunction message
- Error message
- Reset function

Application

- Operator system for garage doors – private use
- For up-and-over doors up to a door width of 3.500 mm and a door weight of 100 kg
- For single-walled sectional doors up to a door width of 5.000 mm and a door weight of 100 kg
- For double-walled sectional doors up to a door width of 3.000 mm and a door weight of 100 kg
- For retractable up-and-over doors and canopy doors up to a door width of 3.500 mm, a door height of 2.250 mm and a door weight of 100 kg
- For maximum 8 parking lots, 16 operations (equates to RAL-certification mark class II / 60.000 cycles)
- For operator rails with roller chains, toothed drive belts or ball rope

Comfort 250.2

1.06 Operator system for garage doors



[E O S] EASY OPERATING SYSTEM

Comfort 250.2

Article	Article no.	Price each
Motor unit Comfort 250.2	84 341	

Package

- Motor unit Comfort 250.2 with multibit remote control 868 MHz
- Digital 302 Mini hand transmitter, 2-channel
- Digital 313 Micro hand transmitter, 3-channel
- Universal mounting kit for up-and-over doors and sectional doors

Electrical details

Nominal voltage	230 V
Nominal frequency	50/60 Hz
Power consumption	1,1 A
Power input in operation	0,25 KW
Power input stand-by	ca. 3 W
Operation mode (duty cycle)	KB 2 min.
Control voltage	24 V DC
Protection category	(motor unit) IP 20
Protection class	II

Mechanical details

Push and pull force	800 N
Door travel speed	140 mm/sec.
Opening time (door-specific)	approx. 15 sec.

General details

Measurements	(motor unit) 220 x 125 x 395 mm
Weight (total)	4,1 kg
Range of temperature	-20°C to +60°C
Illuminant (energy-saving bulb)	1 x 11 W, E14

Function

- Economy mode
- Reference point technique
- Electronic travel cut-out
- Soft start/soft stop
- Push-open security device
- Anti-blocking device
- Excess travel stop
- Release from inside
- Connection pushbuttons, code keypads and key switches
- Automatic cut-out 'Open' and 'Close' separately programmable
- Partial opening programmable
- Door travel speed 'Open' and 'Close' separately programmable
- Soft run position 'Open' and 'Close' separately programmable
- Soft run travel speed 'Open' and 'Close' separately programmable
- 3 minutes light for garage door lighting programmable
- Automatic timer function
- Connection potential-free limit switch information
- Retrofitting of potential-free signal relay possible, for: signal light, wiping impulse, 3 minutes light, final position message, alarm system and malfunction message
- Error message
- Reset function

Application

- Operator system for garage doors – private use
- For up-and-over doors up to a door width of 5.000 mm and a door weight of 175 kg
- For single-walled sectional doors up to a door width of 5.500 mm and a door weight of 175 kg
- For double-walled sectional doors up to a door width of 5.500 mm and a door weight of 175 kg
- For retractable up-and-over doors and canopy doors up to a door width of 5.000 mm, a door height of 2.250 mm and a door weight of 175 kg
- For maximum 14 parking lots, 28 operations (equates to RAL-certification mark class II / 60.000 cycles)
- For operator rails with roller chains, toothed drive belts

Comfort 252.2

1.08 Operator system for garage doors



[E O S] EASY OPERATING SYSTEM

Comfort 252.2

Article	Article no.	Price each
Motor unit Comfort 252.2	84 374	

Package

- Motor unit Comfort 252.2 with multibit remote control, 868 MHz
- Digital 302 Mini hand transmitter, 2-channel
- Digital 313 Micro hand transmitter, 3-channel
- Universal mounting kit for up-and-over doors and sectional doors

Electrical details

Nominal voltage	230 V
Nominal frequency	50/60 Hz
Power consumption	1,1 A
Power input in operation	0,25 KW
Power input stand-by	ca. 3 W
Operation mode (duty cycle)	KB 5 min.
Control voltage	24 V DC
Protection category	(motor unit) IP 20
Protection class	II

Mechanical details

Push and pull force	1.000 N
Door travel speed	140 mm/sec.
Opening time (door-specific) approx.	15 sec.

General details

Measurements	(motor unit) 220 x 125 x 395 mm
Weight (total)	4,2 kg
Range of temperature	-20°C to +60°C
Illuminant (energy-saving bulb)	1 x 11 W, E14

Function

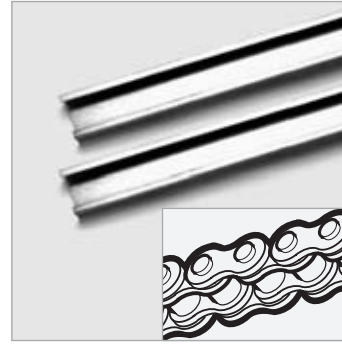
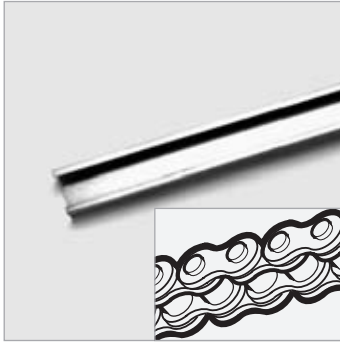
- Economy mode
- Reference point technique
- Electronic travel cut-out
- Soft start/soft stop
- Push-open security device
- Anti-blocking device
- Excess travel stop
- Release from inside
- Connection pushbuttons, code keypads and key switches
- Automatic cut-out 'Open' and 'Close' separately programmable
- Partial opening programmable
- Door travel speed 'Open' and 'Close' separately programmable
- Soft run position 'Open' and 'Close' separately programmable
- Soft run travel speed 'Open' and 'Close' separately programmable
- 3 minutes light for garage door lighting programmable
- Automatic timer function
- Connection potential-free limit switch information
- Retrofitting of potential-free signal relay possible, for: signal light, wiping impulse, 3 minutes light, final position message, alarm system and malfunction message
- Error message
- Reset function

Application

- Operator system for garage doors – private use
- For up-and over doors up to a door width of 6.000 mm and a door weight of 200 kg
- For single-walled sectional doors up to a door width of 6.000 mm and a door weight of 200 kg
- For double-walled sectional doors up to a door width of 6.000 mm and a door weight of 200 kg
- For retractable up-and-over doors and canopy doors up to a door width of 6.000 mm, a door height of 2.250 mm and a door weight of 200 kg
- For maximum 24 parking lots, 48 operations (equates to RAL-certification mark class III / 80.000 cycles)
- For operator rails with roller chain or toothed drive belt

Operator rails

1.11 Comfort 211, 220.2, 250.2, 252.2



Roller chain, 1-part version (0,8 mm)

Article	Article no.	Price each
SK 11, 1-part Measurements (L) 3.080 mm Length of travel 2.475 mm Packing length 3.140 mm Weight (total) 5,9 kg	83 772	

Article	Article no.	Price each
SK 12, 1-part Measurements (L) 3.330 mm Length of travel 2.725 mm Packing length 3.380 mm Weight (total) 6,3 kg	83 773	

Article	Article no.	Price each
SK 13, 1-part Measurements (L) 4.090 mm Length of travel 3.485 mm Packing length 4.140 mm Weight (total) 8,2 kg	83 774	

Article	Article no.	Price each
SK Special length upon customer request, 1-part Measurements (L) max. 6.500 mm	83 780	

Package

- Micro-profiled operator rail, 1-part

Function / Application

- To transmit the power from the operator system to the door
- Micro-profiled operator rail for the operator systems Comfort 211 (only SK 11 and SK 12), 220.2, 250.2 and 252.2
- The rail length depends on the door height and on the door brand

Roller chain, 2-part version (0,8 mm)

Article	Article no.	Price each
SK 11, 2-part Measurements (L) 3.080 mm Length of travel 2.475 mm Packing length 1.600 mm Weight (total) 6,8 kg	83 789	

Article	Article no.	Price each
SK 12, 2-part Measurements (L) 3.330 mm Length of travel 2.725 mm Packing length 1.725 mm Weight (total) 7,2 kg	83 790	

Article	Article no.	Price each
SK 13, 2-part Measurements (L) 4.090 mm Length of travel 3.485 mm Packing length 2.100 mm Weight (total) 8,8 kg	83 791	

Article	Article no.	Price each
SK Special length upon customer request, 2-part Measurements (L) max. 8.000 mm	83 786	

Package

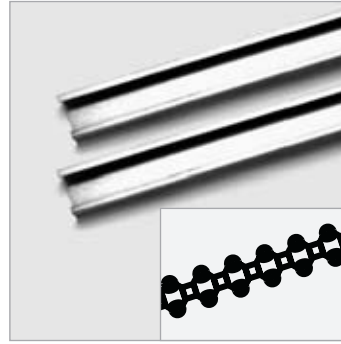
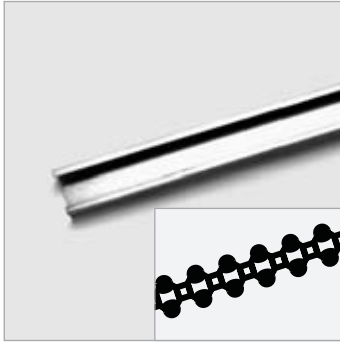
- Micro-profiled operator rail, 2-part
- Rail connector
- Mounting material

Function / Application

- To transmit the power from the operator system to the door
- Micro-profiled operator rail for the operator systems Comfort 211 (only SK 11 and SK 12), 220.2, 250.2 and 252.2
- The rail length depends on the door height and on the door brand

Operator rails

Comfort 211, 220.2



Ball rope, 1-part-version (0,8 mm)

Article	Article no.	Price each
ST 11, 1-part	84 420	
Measurements (L)	3.080 mm	
Length of travel	2.475 mm	
Packing length	3.140 mm	
Weight (total)	4,4 kg	

Ball rope, 2-part-version (0,8 mm)

Article	Article no.	Price each
ST 11, 2-part	84 421	
Measurements (L)	3.080 mm	
Length of travel	2.475 mm	
Packing length	1.600 mm	
Weight (total)	5,1 kg	

Article	Article no.	Price each
ST 12, 1-part	84 422	
Measurements (L)	3.330 mm	
Length of travel	2.725 mm	
Packing length	3.380 mm	
Weight (total)	4,7 kg	

Article	Article no.	Price each
ST 12, 2-part	84 423	
Measurements (L)	3.330 mm	
Length of travel	2.725 mm	
Packing length	1.725 mm	
Weight (total)	5,4 kg	

Package
· Micro-profiled operator rail, 1-part

Package
· Micro-profiled operator rail, 2-part
· Rail connector
· Mounting material

Function / Application
· To transmit the power from the operator system to the door
· Micro-profiled operator rail for the operator systems Comfort 211 and 220.2
· The rail length depends on the door height and on the door brand

Function / Application
· To transmit the power from the operator system to the door
· Micro-profiled operator rail for the operator systems Comfort 211 and 220.2
· The rail length depends on the door height and on the door brand

Comfort

Digital

Command

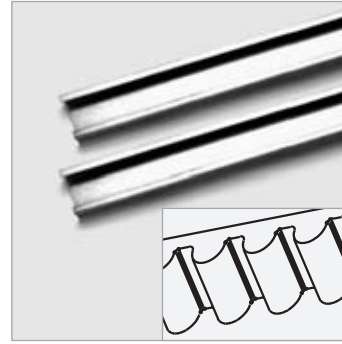
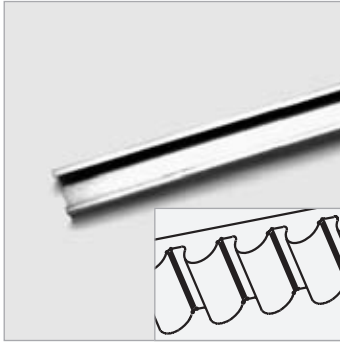
Control

Special

Parc 100

Operator rails

1.13 Comfort 211, 220.2, 250.2, 252.2



Toothed drive belt, 1-part version (0,8 mm)

Article	Article no.	Price each
SZ 11, 1-part	83 725	
Measurements (L)	3.080 mm	
Length of travel	2.475 mm	
Packing length	3.140 mm	
Weight (total)	4,7 kg	

Article	Article no.	Price each
SZ 12, 1-part	83 726	
Measurements (L)	3.330 mm	
Length of travel	2.725 mm	
Packing length	3.380 mm	
Weight	5,0 kg	

Article	Article no.	Price each
SZ 13, 1-part	83 727	
Measurements (L)	4.090 mm	
Length of travel	3.485 mm	
Packing length	4.140 mm	
Weight (total)	6,2 kg	

Article	Article no.	Price each
SK Special length upon customer request, 1-part	83 733	
Measurements (L) max.	6.500 mm	

Package

- Micro-profiled operator rail, 1-part

Function / Application

- To transmit the power from the operator system to the door
- Micro-profiled operator rail for the operator systems Comfort 211 (only SZ 11 and SZ 12), 220.2, 250.2, and 252.2
- The rail length depends on the door height and on the door brand

Toothed drive belt, 2-part version (0,8 mm)

Article	Article no.	Price each
SZ 11, 2-part	83 737	
Measurements (L)	3.080 mm	
Length of travel	2.475 mm	
Packing length	1.600 mm	
Weight (total)	5,4 kg	

Article	Article no.	Price each
SZ 12, 2-part	83 738	
Measurements (L)	3.330 mm	
Length of travel	2.725 mm	
Packing length	1.725 mm	
Weight (total)	5,9 kg	

Article	Article no.	Price each
SZ 13, 2-part	83 739	
Measurements (L)	4.090 mm	
Length of travel	3.485 mm	
Packing length	2.100 mm	
Weight (total)	7,0 kg	

Article	Article no.	Price each
SK Special length upon customer request, 2-part	83 735	
Measurements (L) max.	8.000 mm	

Package

- Micro-profiled operator rail, 2-part
- Rail connector
- Mounting material

Function / Application

- To transmit the power from the operator system to the door
- Micro-profiled operator rail for the operator systems Comfort 211 (only SZ 11 and SZ 12), 220.2, 250.2 and 252.2
- The rail length depends on the door height and on the door brand