

Markilux 1600 stretch Technical Brochure



**EMAIL: ENQUIRIES@SAMSONAWNINGS.CO.UK
TELEPHONE: (01933) 448844
MON - FRI 8:30AM - 5:30PM**



Semi-cassette awning

markilux 1600 stretch

The awning with excellent design features and well-thought-out-mechanics. Large projections at limited widths – the perfect solution for narrow reveals, balconies and patios.



product
design award

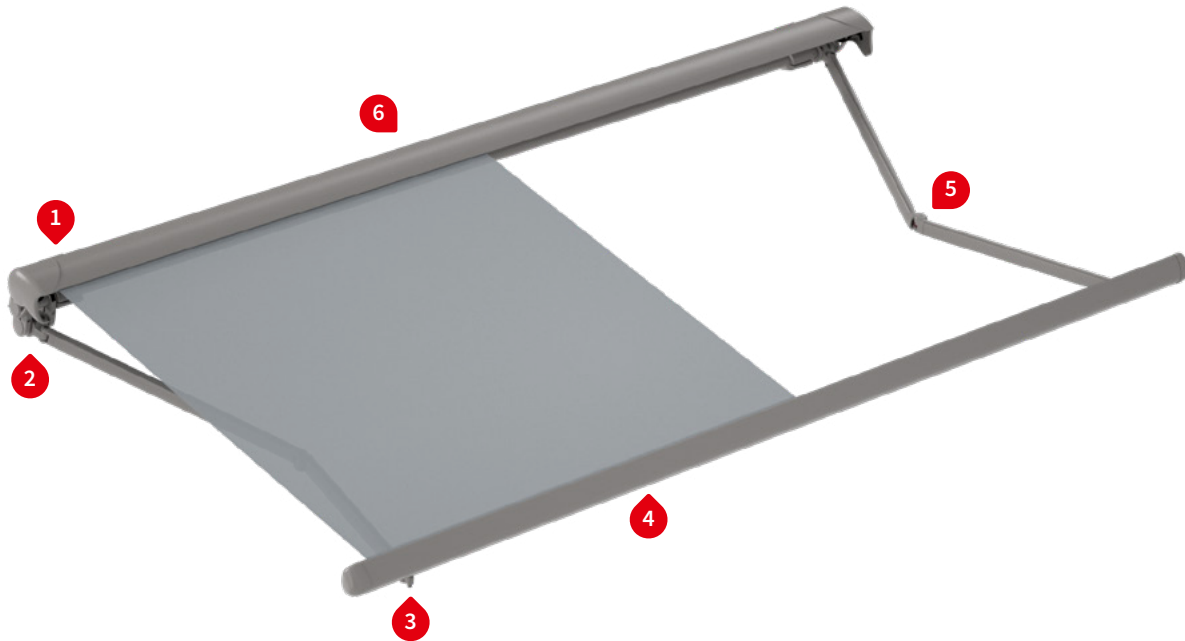
markilux.com

markilux

safe timeless beautiful

01 **Product characteristics**

Wind resistance class 2
Beaufort 5 → 7.5–10.4 m/s → 28–37 km/h → 17–23 mph



11

1 face fixture



1 face fixture, maximum pitch 25°



1 top fixture



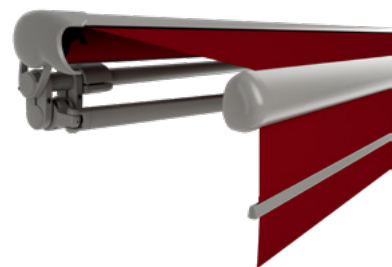
2 folding arm suspended from the torque bar



3 connection of the lower folding arm to the front profile



4 drop valance 1)



5 twin steel-link chains, corrosion protected



5 bionic tendon made of high-tech fibres for optimum power transferance 1)



6 wall sealing profile up to a pitch of 25° 1)



1) optional configuration

Product characteristics

Description

- the folding-arm awning with exceptional, organic design characteristics and pivoting coverboard, ideally suited for shading large areas. The smart engineered arm technology allows shading of areas with more depth than width.

Special features

- awning with an extremely torsion-resistant, round torque bar
- the tiered arms make greater projections than widths possible
- during the closing procedure, the coverboard tilts automatically down the given pitch of the awning and together with the front profile encloses the roller tube completely (the awning is open underneath)
- option of a drop valance up to a projection of 350 cm – vertical protection against low-lying sun and inquisitive glances integrated into the front profile, can be operated manually
- coverboard with integrated brush so that debris does not get dragged into the awning as it closes

Dimensions

- cassette in the standard version: depth 275 mm, height 297 mm
- single unit: minimum width 122 cm at the smallest projection of 150 cm, maximum width 247 cm at the largest projection of 400 cm

Roller tube and lateral bearings

- round roller tube Ø 85 mm with keyway, galvanised steel – excellent stability, ensures near perfect cover performance even at the largest widths
- the roller tube support bracket is made of extruded aluminium, powder coated, visually masked by the coverboard end cap

Awning profiles

- extruded aluminium, in façade quality, powder coated
- oval, single-piece coverboard, pre-fitted, enclosing the awning from behind and above
- semi-circular front profile incorporated into the coverboard during closing
- round torque bar Ø 50 mm, galvanised both inside and out, powder coated

folding arms

- profiles in extruded aluminium, in façade quality, powder coated
- moving parts made of drop-forged aluminium - the arms are therefore extremely fracture resistant
- pivot bolts in stainless steel run in Teflon-coated bronze bushes - practically maintenance free, virtually silent and extremely hard wearing
- power transference via corrosion-protected twin steel-link chains at the elbow joint, optionally with innovative bionic tendon made of high tensile, high-tech fibres – low in friction, noiseless, insensitive to corrosion and UV resistant

Side caps

- the coverboard end caps are made of high-quality plastic, powder coated
- the front profile and torque bar end caps are made of high-quality plastic, powder coated or in polished chrome

Fixture brackets

- face fixture, top fixture, eaves fixture
- extruded aluminium, powder coated
- pitch range 5°–25°, infinitely adjustable
- spacer plates, stand-off brackets and other accessories are available

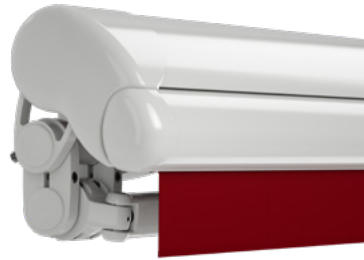
01 **Frame and end cap colours**

markilux frame colours without surcharge

02 traffic white RAL 9016

metallic aluminium RAL 9006

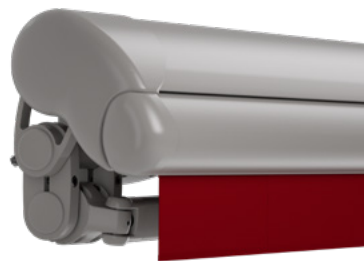
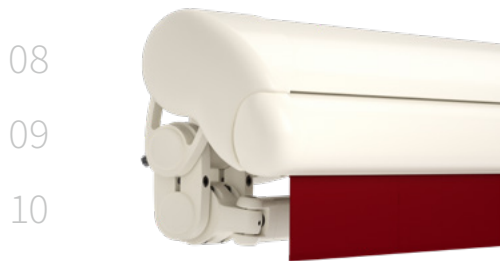
grey brown, similar to RAL 8019



07 off-white textured finish, 5233 ¹⁾

stone grey metallic, 5215 ¹⁾

anthracite metallic, 5204 ¹⁾



11

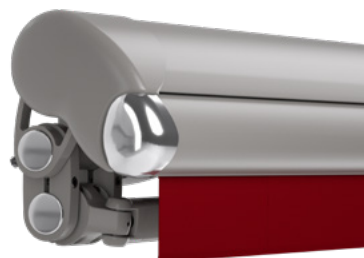
Havana brown textured finish, 5229 ¹⁾



16 off-white textured finish, 5233 ¹⁾

stone grey-metallic 5215 ¹⁾
front profile and torque bar end cap
in polished chrome

anthracite metallic, 5204 ¹⁾
front profile and torque bar end cap
in polished chrome



Combination options – possible in any frame colour

Non-standard powder-coated finish





Bespoke frame colours at a surcharge – matt, metallic and pearl finishes as well as other colour ranges (DB, Tiger etc.) on request. All frame colours are available at a surcharge with enhanced corrosion protection

¹⁾ textured finish


Colours may differ slightly from those depicted in both hue and finish.


Dimensions and configuration options


Single unit

Order dimensions	Overall awning width								Minimum width			
	160	185	210	235	260	310	360	410	Motor		Crank handle	
	122 160	161 185	186 210	211 235	236 260	261 310	311 360	361 410				
H	150	3)	2)	—	—	—	—	—	135	122	139	126
	200	3)	2)	2)	—	—	—	—	160	147	164	151
	250	—	3)	—	—	2)	—	—	185	172	189	176
	300	—	—	3)	—	—	2)	—	210	197	214	201
	350	—	—	—	3)	—	—	2)	235	222	239	226
	400 ¹⁾⁴⁾	—	—	—	—	3)	—	—	260	247	264	251

- 1) = drop valance not available
 2) = inside dimensions on request
 3) = observe the minimum widths!
 4) = only available with motor drive (surcharge)
 H = projection

 = 2 folding arms, 2 brackets

 = 2 standard arms

 = 2 bespoke arms (surcharge)

dimensions in cm

Operation

	standard	optional
crank handle	✓	—
spring-assisted crank handle	—	✓
Hard-wired motor	—	✓
silentec motor (optionally with an external io / RTS receiver)	—	—
radio-controlled motor io, 868 MHz	—	✓
radio-controlled motor RTS, 433 MHz	—	✓
radio-controlled motor RTS, 433 MHz with manual override	—	✓

Coupled Awning

not available

Awning cover

	fabric range no.	standard	optional
sunvas	301.. / 309..-315..	✓	—
perla	370 ..	—	✓
sunsilk	324.. / 325.. / 328.. / 369..	✓	—
perla FR	374.. / 375..	—	✓
perfortex	331.. / 332..	—	—
transolair	338..	—	—
vuscreen Alu	317..	—	—
Soltis Perform 92	92-20..	—	—
glass fibre screen	272..	—	—
volant, height 15 cm		✓	—

Shadeplus / drop valance

	standard	optional
height 150 cm or 210 cm ¹⁾	—	—
maximum projection 350 cm	—	—
crank handle	✓	—
Hard-wired motor	—	—
radio-controlled motor io, 868 MHz	—	—
radio-controlled motor RTS, 433 MHz	—	—
cover	sunvas / sunsilk / transolair / vuscreen Alu ²⁾	

1) depending on the fabric width (fabric width 120 cm) with horizontal seam

2) vuscreen Alu: max. height 100 cm

Only available in plain seamless fabrics (oversized, fabric width > 120 cm) or in plains with a horizontal joint (fabric width 120 cm).

01	Optional accessories
02	manual drop valance
03	folding arm technology with bionic tendon
04	wall sealing profile (effective up to a maximum awning pitch of 25°); coverboard when fitted to the markilux panel, in one piece
05	infrared heater 2500 W
06	infrared heater 2500 W with integrated radio-controlled receiver 868 MHz io
07	LED spotline – light bar 110 × 70 mm with 5 W LED spotlights, width 180 cm / 3 spots or 300 cm / 5 spots
08	LED spotline io – light bar 110 × 70 mm with 5 W LED spotlights with integrated dimmable radio-controlled receiver, width 180 cm / 3 spots or 300 cm / 5 spots
09	automatic controls (light, wind, rain)

N.B! Important background information can be found in the chapter “Optional Accessories”.

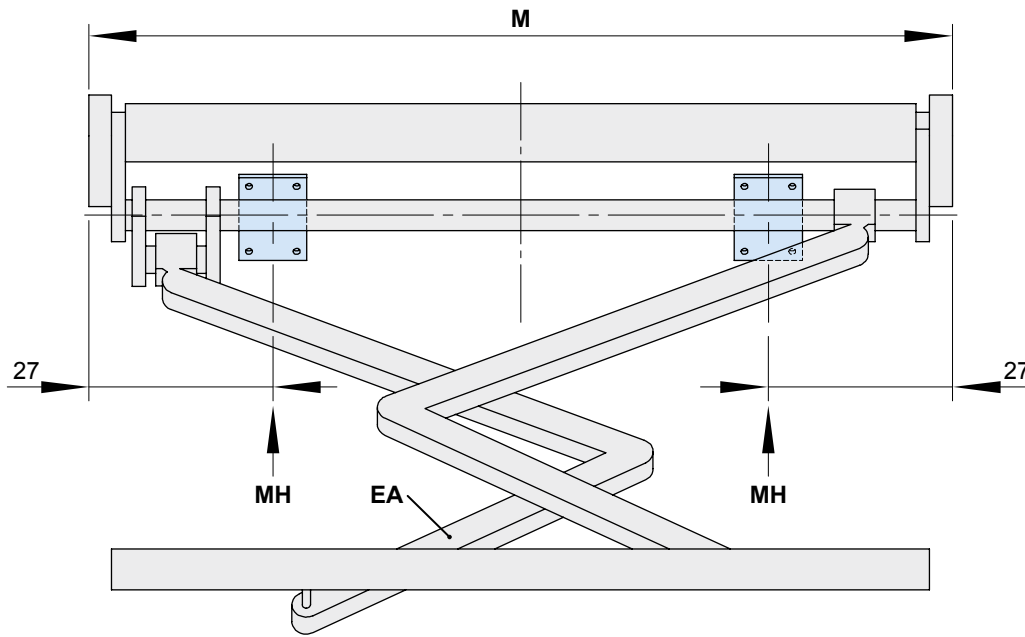
Fixture options

wall bracket 100 mm	70867.
spreader plate A 430 × 160 × 12 mm	75326.
spreader plate B 300 × 400 × 12 mm	75325.
markilux panel 250 × 230 × 49 mm	76308.
markilux panel continuous	76380.
stand-off bracket wide 80–300 mm	77968.
top fixture bracket 90 mm	70868.
eaves fixture bracket 90 mm, 150 mm plate	71612.
eaves fixture bracket 90 mm, 270 mm plate	71659.
flat plate and angled bracket for eaves fixture, machine finish aluminium, 500 mm plate	716620
spreader plate 260 × 60 × 12 mm for eaves fixture bracket	75383.
eaves fixture bracket adjustable 7,5°–60°	71198.

11

Bracket fixture range

Awning with 2 folding arms



dimensions in cm

11

		Overall awning width							
		160	185	210	235	260	310	360	410
Order dimensions		122	161	186	211	236	261	311	361
		160	185	210	235	260	310	360	410
BHT		No. of brackets No. of fixing points							
W	10	2 6							
BP		A 2 16 B 2 8							
DE	9	2 8							
PA		2 8							
DA	9	2 8							

dimensions in cm

12

13

14

15

16

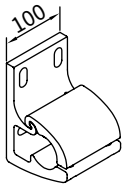
17

The **pull-out forces** necessary for determining the correct fixing materials necessary to meet wind resistance class 2 (Beaufort 5) can be found in the password-protected dealer area of the markilux.com website under "Pull-out Forces".

- BHT** = bracket width
- BP** = spreader plate A or B, to be positioned behind the folding arm
- DA** = eaves fixture bracket
- DE** = top fixture bracket
- EA** = deep folding-arm (opposite of the drive side)
- M** = *order dimension* = awning width
- MH** = bracket centre
- PA** = markilux panel, fixture profile, width 250 mm
- W** = face fixture bracket

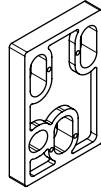
01 **Face fixture**

02 **Fixtures, fittings and accessories**



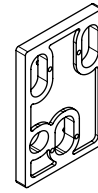
face fixture bracket
100 mm

70867.



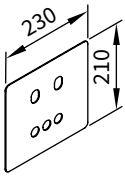
spacer plate
100 × 150 × 20 mm
N.B!
Stack to a max. height of 200 mm

758831



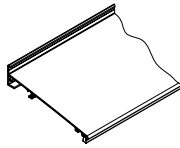
spacer plate
100 × 150 × 12 mm

758841



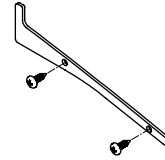
cover plate
for spacer plate
and stand-off brackets
in the case of external
insulation
230 × 210 × 2 mm

71843.



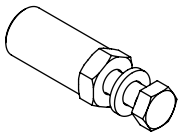
Wall sealing profile
incl. brush seal
when installing with a
coverboard
available by the metre

76385. and 704241



1 side plate including
2 pan-head self-tapping
screws for wall sealing
profile

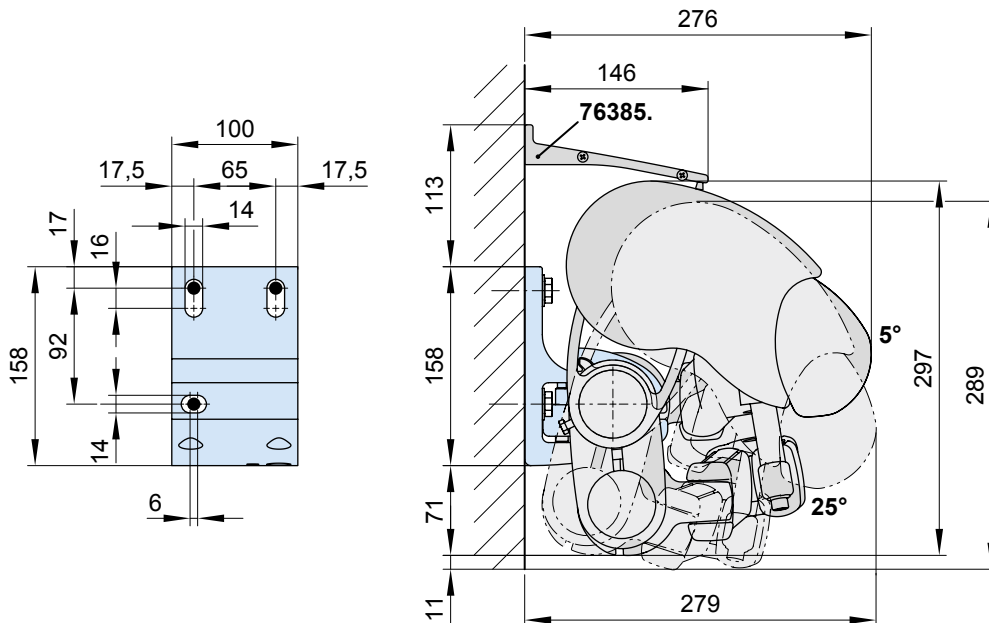
76386. and 2 × 735611



bolt reduction
assembly
pack 10 pcs

M 16 → M 12 | M 16 → M 10 | M 12 → M 10 | M 10 → M 10

11

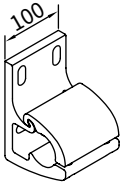


76385. = wall sealing profile (standard width = awning width (M); up to a maximum awning pitch of 25°)

dimensions in mm

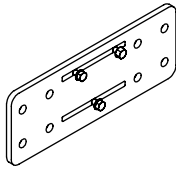
Face fixture with spreader plate A

Fixtures, fittings and accessories



face fixture bracket
100 mm

70867.



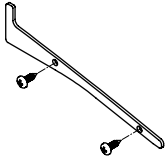
spreader plate A
face fixture
430 × 160 × 12 mm

75326.



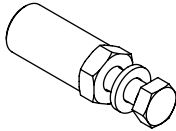
Wall sealing profile
incl. brush seal
when installing with a
coverboard
available by the metre

76385. and 704241



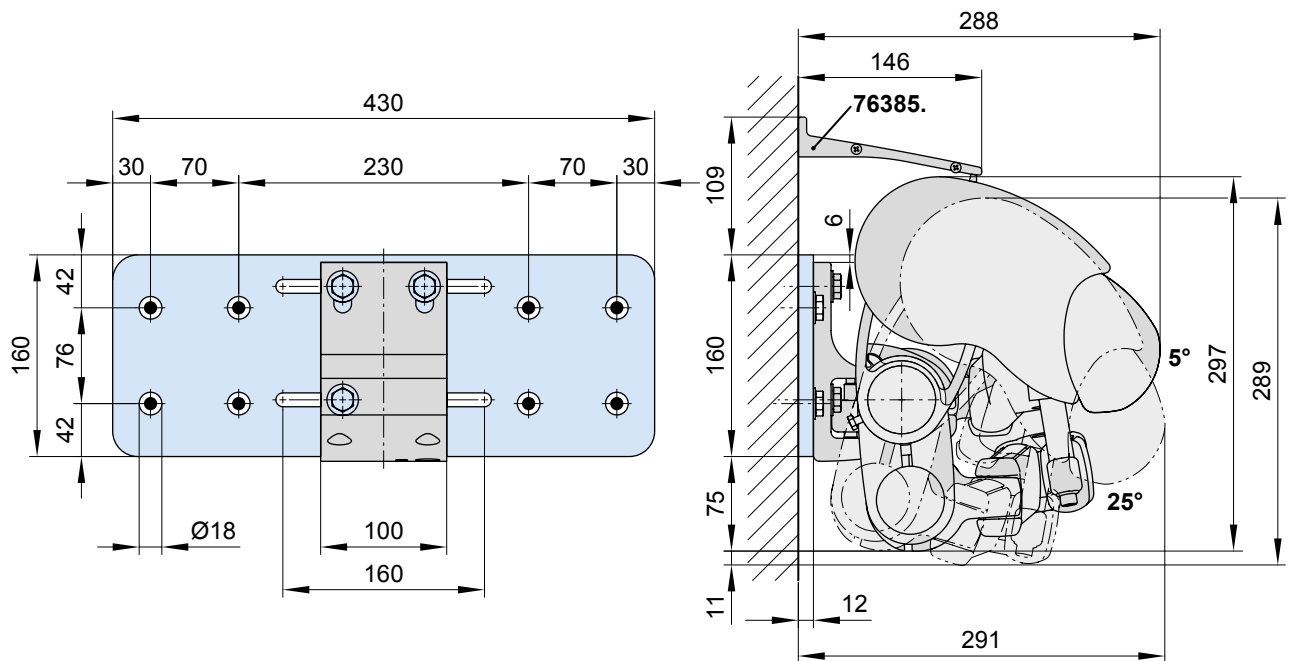
1 side plate including
2 pan-head self-tapping
screws for wall sealing
profile

76386. and 2 × 735611



bolt reduction
assembly
pack 10 pcs

M 16 → M 12 | M 16 → M 10 | M 12 → M 10 | M 10 → M 10

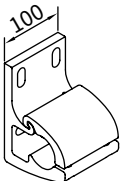


76385. = wall sealing profile (standard width = awning width (M); up to a maximum awning pitch of 25°)

dimensions in mm

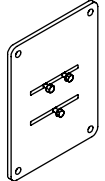
01 **Face fixture with spreader plate B**

02 Fixtures, fittings and accessories

03  face fixture bracket
100 mm

04

05 **70867.**

03  spreader plate B
face fixture
300 × 400 × 12 mm

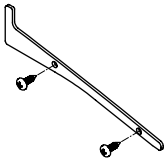
04

05 **75325.**

03  Wall sealing profile
incl. brush seal
when installing with a
coverboard
available by the metre

04

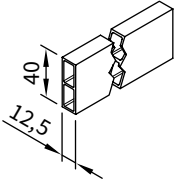
05 **76385. and 704241**

06  1 side plate including
2 pan-head self-tapping
screws for wall sealing
profile

07

08

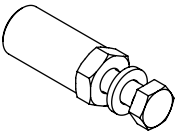
09 **76386. and 2 × 735611**

06  stand-off strip for
wall sealing profile
available by the metre

07

08

09 **751971**

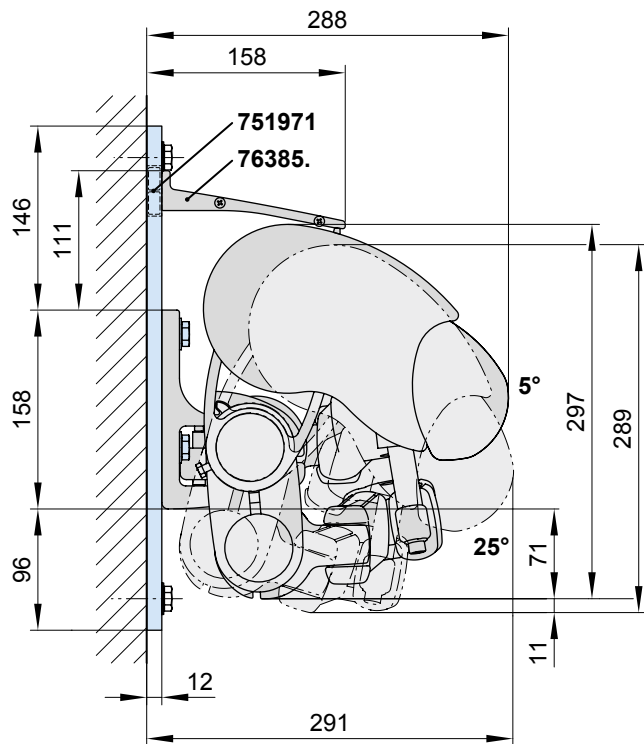
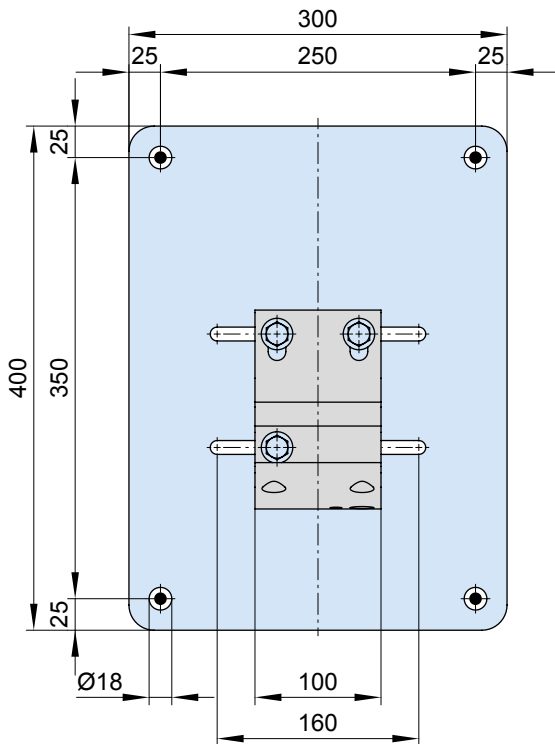
06  bolt reduction
assembly
pack 10 pcs

07

08

09 M 16 → M 12 | M 16 → M 10 | M 12 → M 10 | M 10 → M 10

11



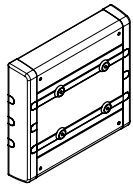
751971 = stand-off strip for wall sealing profile

76385. = wall sealing profile (standard width = awning width (M); up to a maximum awning pitch of 25°)

dimensions in mm

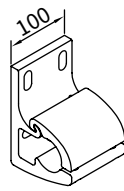
Face fixture with markilux panel 250 mm

Fixtures, fittings and accessories



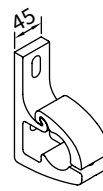
markilux panel 250 mm fixture profile
with decorative profiles and end caps
250 × 230 × 49 mm

76308.



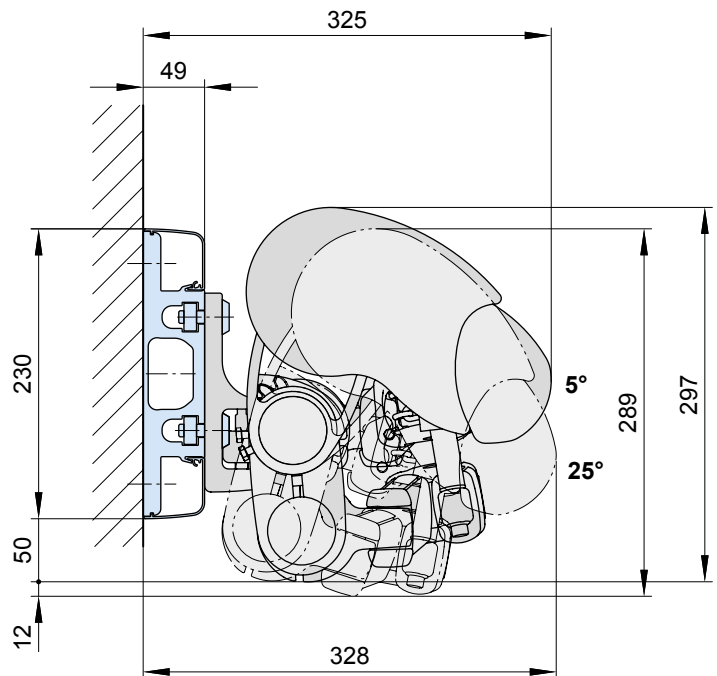
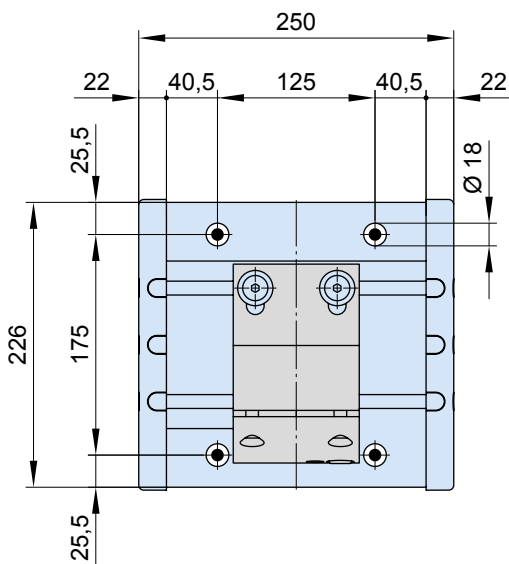
face fixture bracket 100 mm

70867.



face fixture bracket
for central fixture, depending on size
45 mm

71813.

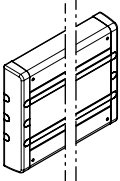


dimensions in mm

01
02
03
04
05
06
07
08
09
10
11
12
13
14
15
16
17

01 **Face fixture with markilux panel continuous**

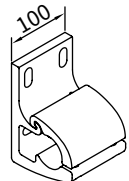
02 **Fixtures, fittings and accessories**

03  markilux panel 250 mm
fixture profile

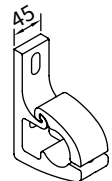
04 with decorative profiles
and end caps

05 continuous

76380.

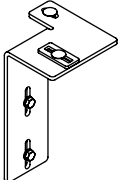
03  face fixture bracket
100 mm

70867.

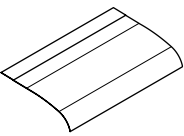
03  face fixture bracket
for central fixture,
depending on size

45 mm

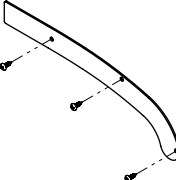
71813.

06  Coverboard brackets

76390.

06  Coverboard incl. addi-
tional profile and rubber
sealing strip

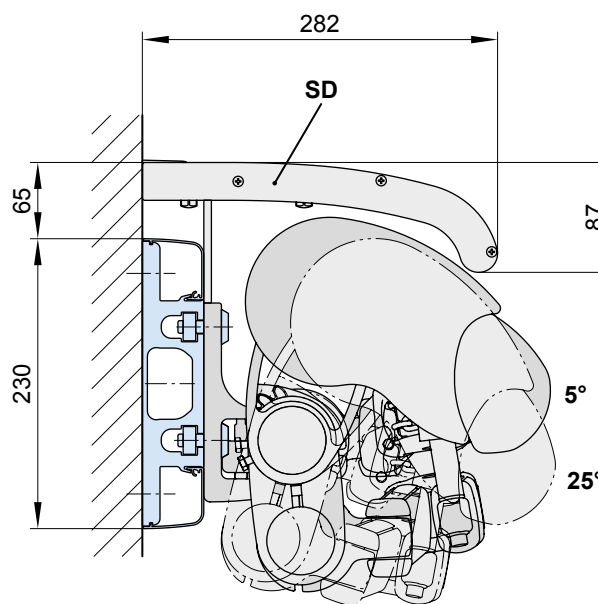
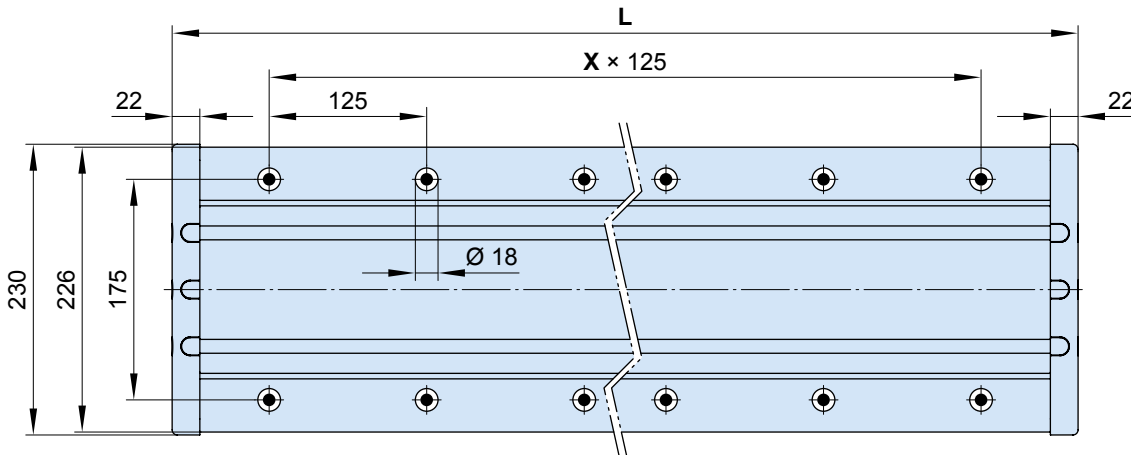
72015., 72019., 75970.

06  End cheeks for the cover-
board, 282 × 87 × 2 mm
and
3 fillister head self-tap-
ping screws

76469. und 3 × 735611

07 As a **continuous fixture profile**, the markilux panel will always be supplied to order on the basis of a technical drawing prepared in the factory in accordance with the awning specification.

11



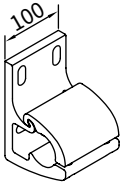
L = individual width, max. 7000 mm
SD = coverboard

X = fixing point separation, **by way of example**

dimensions in mm

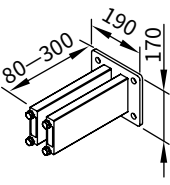
Face fixture with stand-off bracket

Fixtures, fittings and accessories



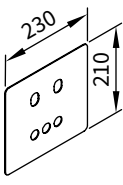
face fixture bracket
100 mm

70867.



stand-off bracket
for face fixture bracket
70867.

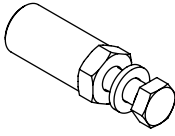
77968.



cover plate
for spacer plate
and stand-off brackets
in the case of external
insulation

230 × 210 × 2 mm

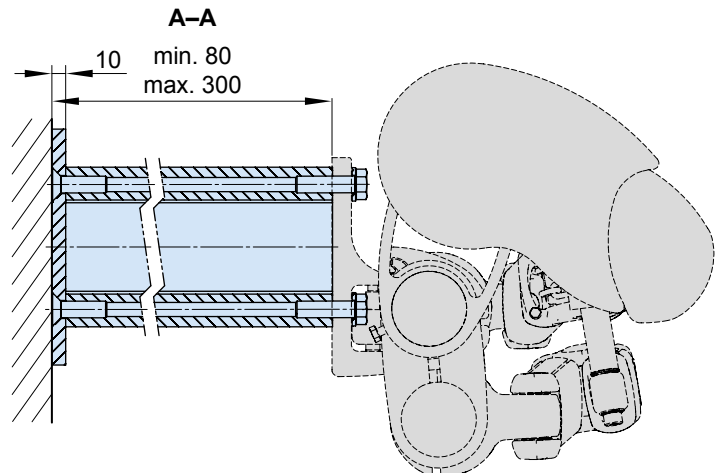
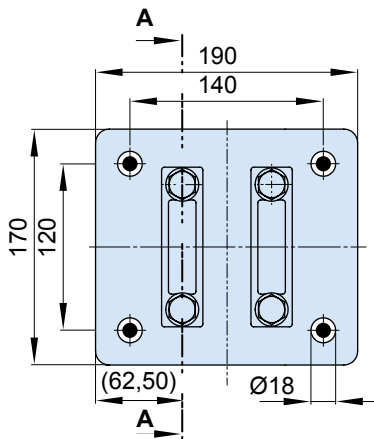
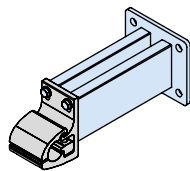
71843.



bolt reduction
assembly
pack 10 pcs

M 16 → M 12 | M 16 → M 10 | M 12 → M 10 | M 10 → M 10

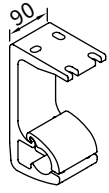
- 01
- 02
- 03
- 04
- 05
- 06
- 07
- 08
- 09
- 10
- 11**
- 12
- 13
- 14
- 15
- 16
- 17



dimensions in mm

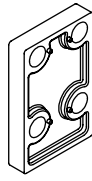
01 **Top fixture**

02 Fixtures, fittings and accessories



top fixture bracket
90 mm

70868.



spacer plate for
top fixture
90 × 140 × 20 mm
N.B!
stack to a max. height of
200 mm

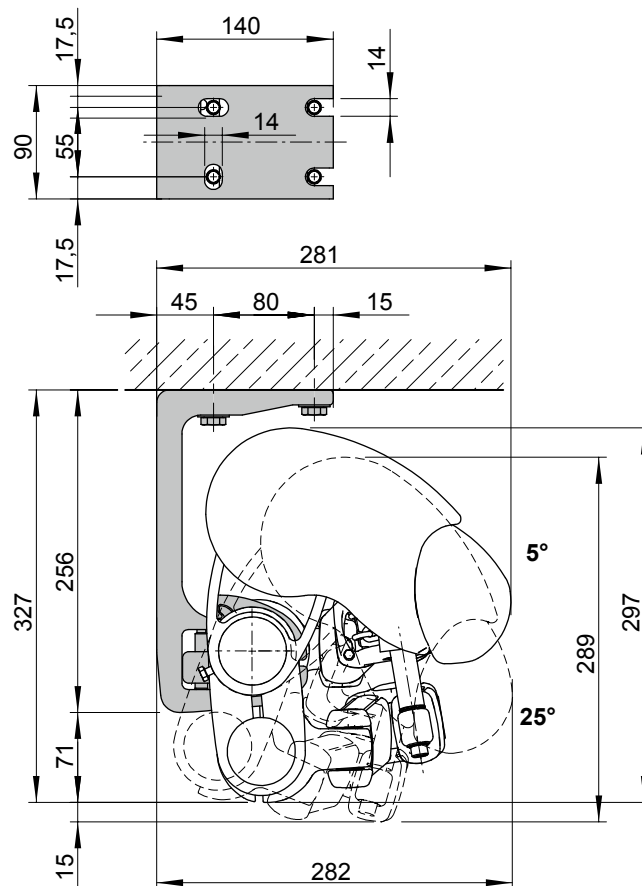
716311



spacer plate for
top fixture
90 × 140 × 12 mm

716411

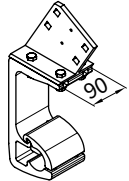
11



dimensions in mm

Eaves fixture

Fixtures, fittings and accessories

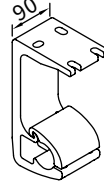


eaves fixture bracket
90 mm

complete set

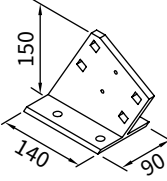
height of flat
plate: 150 mm

70871.



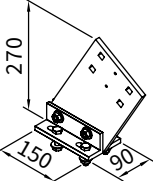
top fixture bracket
90 mm

70868.



eaves fixture bracket
flat plate
150 mm

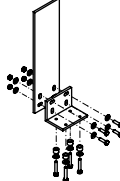
71612.



eaves fixture bracket
270 mm plate

please refer to "Eaves
fixture with spreader /
backing plate"

71659.



flat plate and angled
bracket for eaves fixture

machine finish

716620

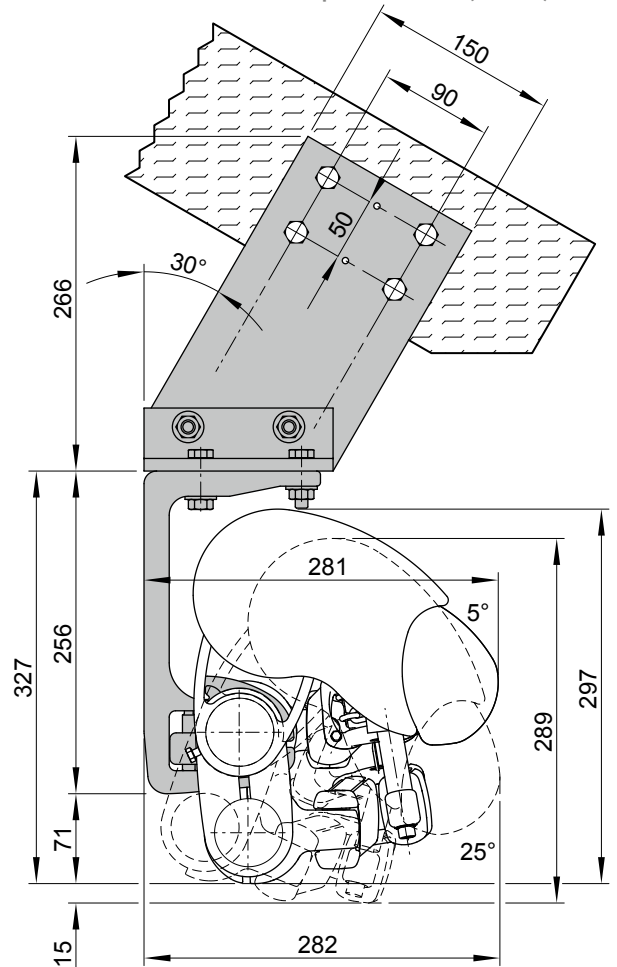
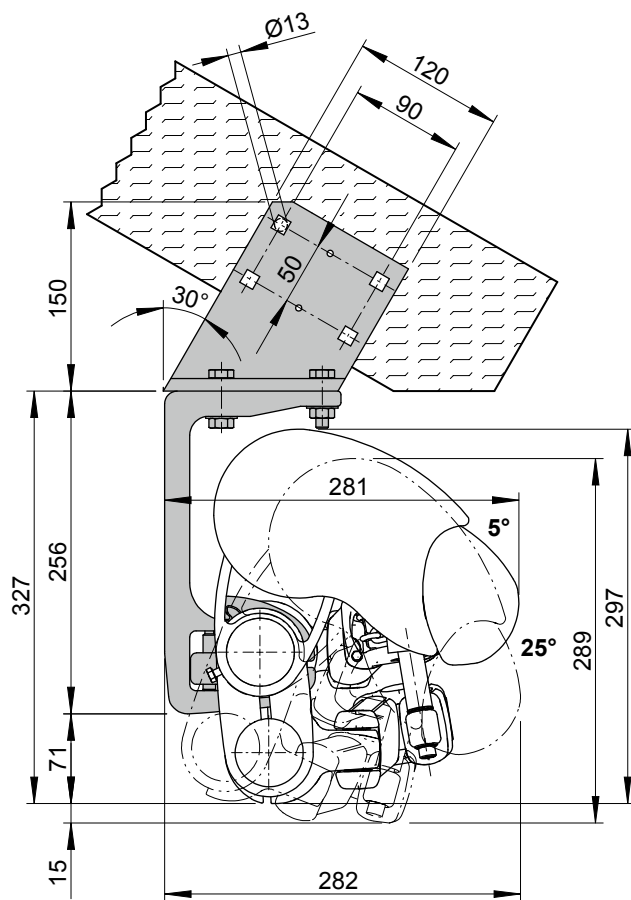
01
02
03
04
05
06
07
08
09
10

11

12
13
14
15
16
17

with eaves fixture bracket flat plate 150 mm (71612.)

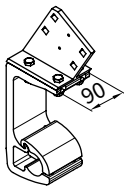
with eaves fixture bracket flat plate 270 mm (71659.)



dimensions in mm

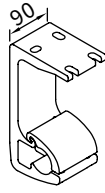
Eaves fixture with additional plate

Fixtures, fittings and accessories



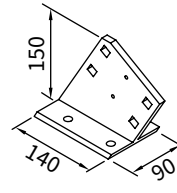
eaves fixture bracket
90 mm
complete set
height of flat plate: 150 mm

70871.



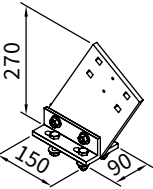
top fixture bracket
90 mm

70868.



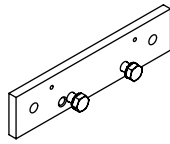
eaves fixture bracket flat plate
150 mm

71612.



eaves fixture bracket
270 mm plate
please refer to "Eaves fixture with spreader / backing plate"

71659.

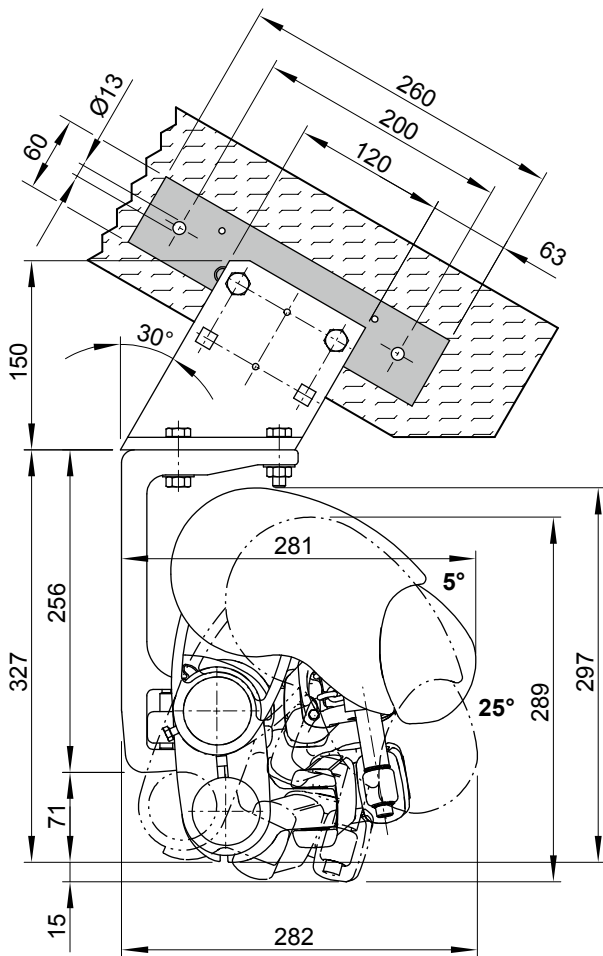


supplementary flat plate eaves fixture
260 × 60 × 12 mm
please refer to "Eaves fixture with spreader / backing plate"

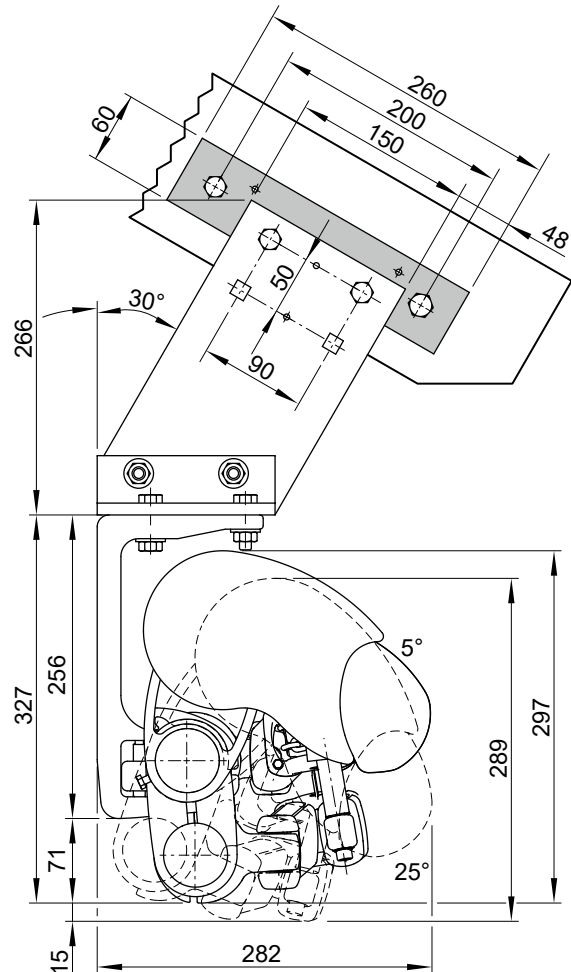
75383.

11

with eaves fixture bracket 150 mm (70871.)



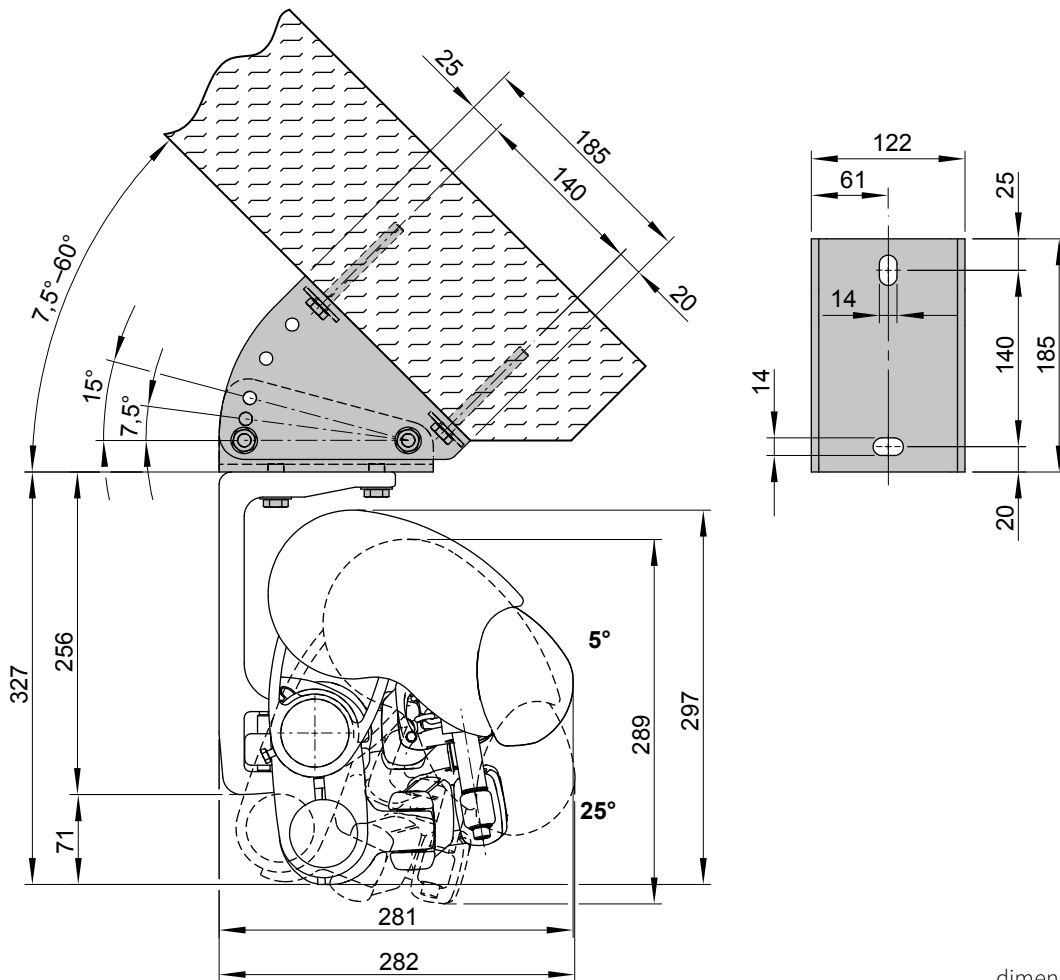
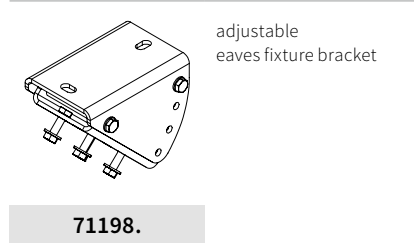
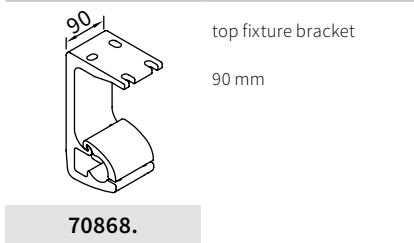
with eaves fixture bracket 270 mm (71659.)



dimensions in mm

Eaves fixture with adjustable bracket

Fixtures, fittings and accessories

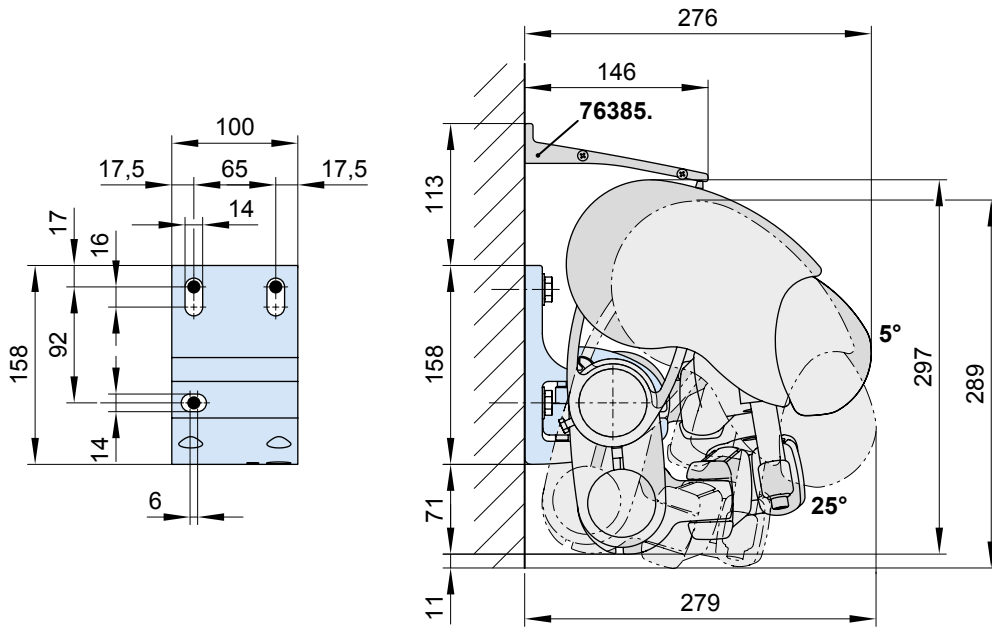


dimensions in mm

- 01
- 02
- 03
- 04
- 05
- 06
- 07
- 08
- 09
- 10
- 11**
- 12
- 13
- 14
- 15
- 16
- 17

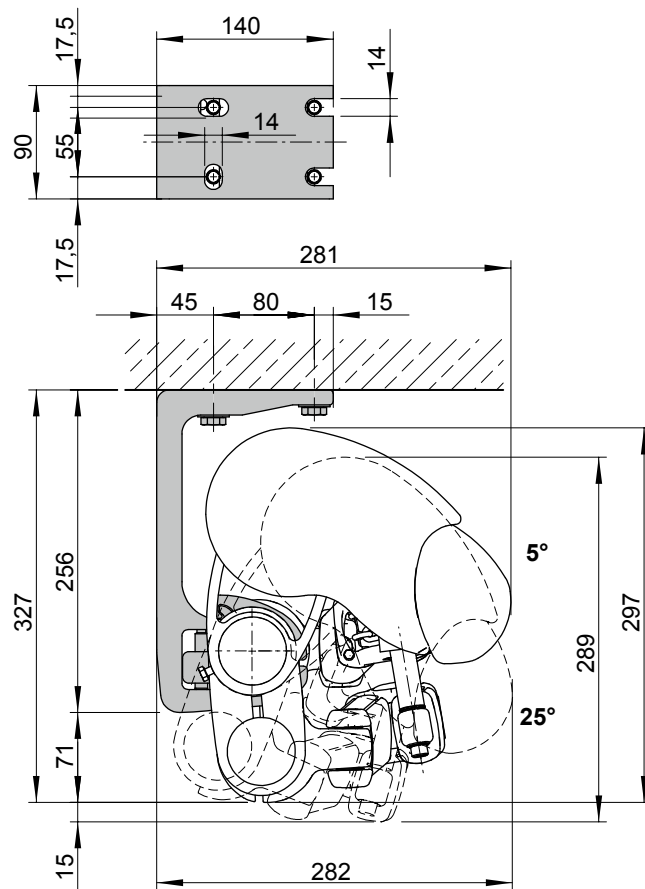
01 **Awning with shadeplus**

02 Face fixture



11

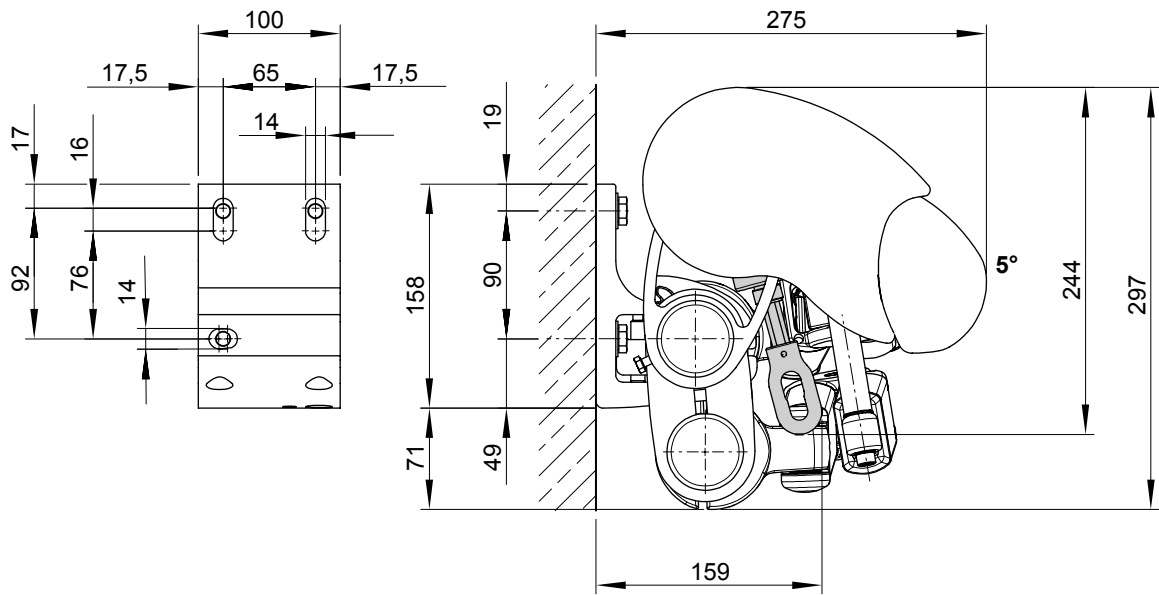
12 Top fixture



76385. = wall sealing profile (standard width = awning width (M); up to a maximum awning pitch of 25°)

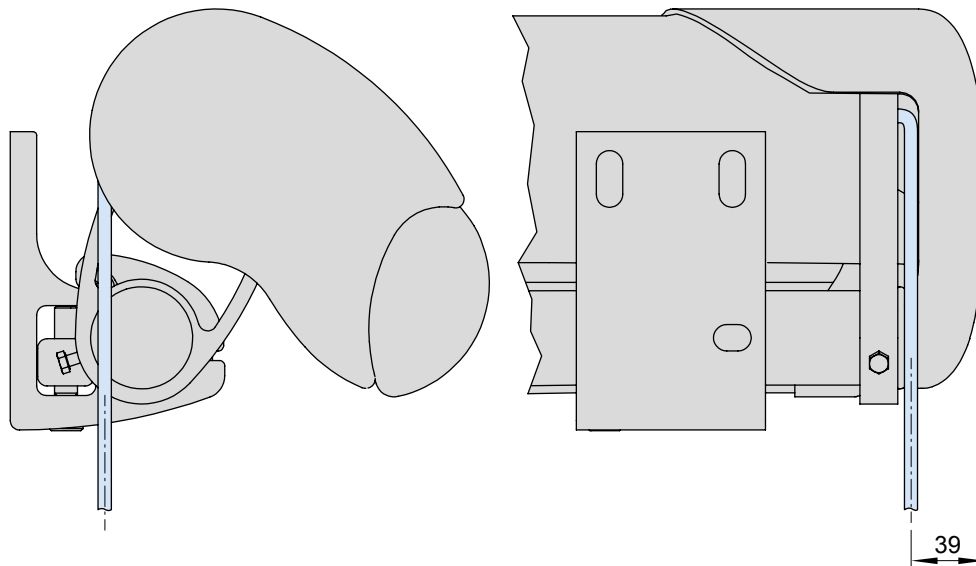
dimensions in mm

Face fixture, manual operation



- 01
- 02
- 03
- 04
- 05
- 06
- 07
- 08
- 09
- 10
- 11**
- 12
- 13
- 14
- 15
- 16
- 17

Motor cable exit point



dimensions in mm

01 **Face fixture, radio-controlled motor with manual override**

Gearbox eye positions

02

03

04

05

06

07

08

09

10

11

12

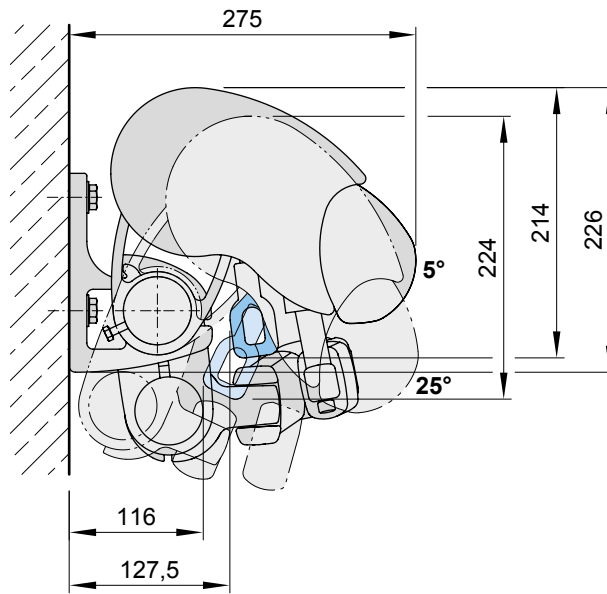
13

14

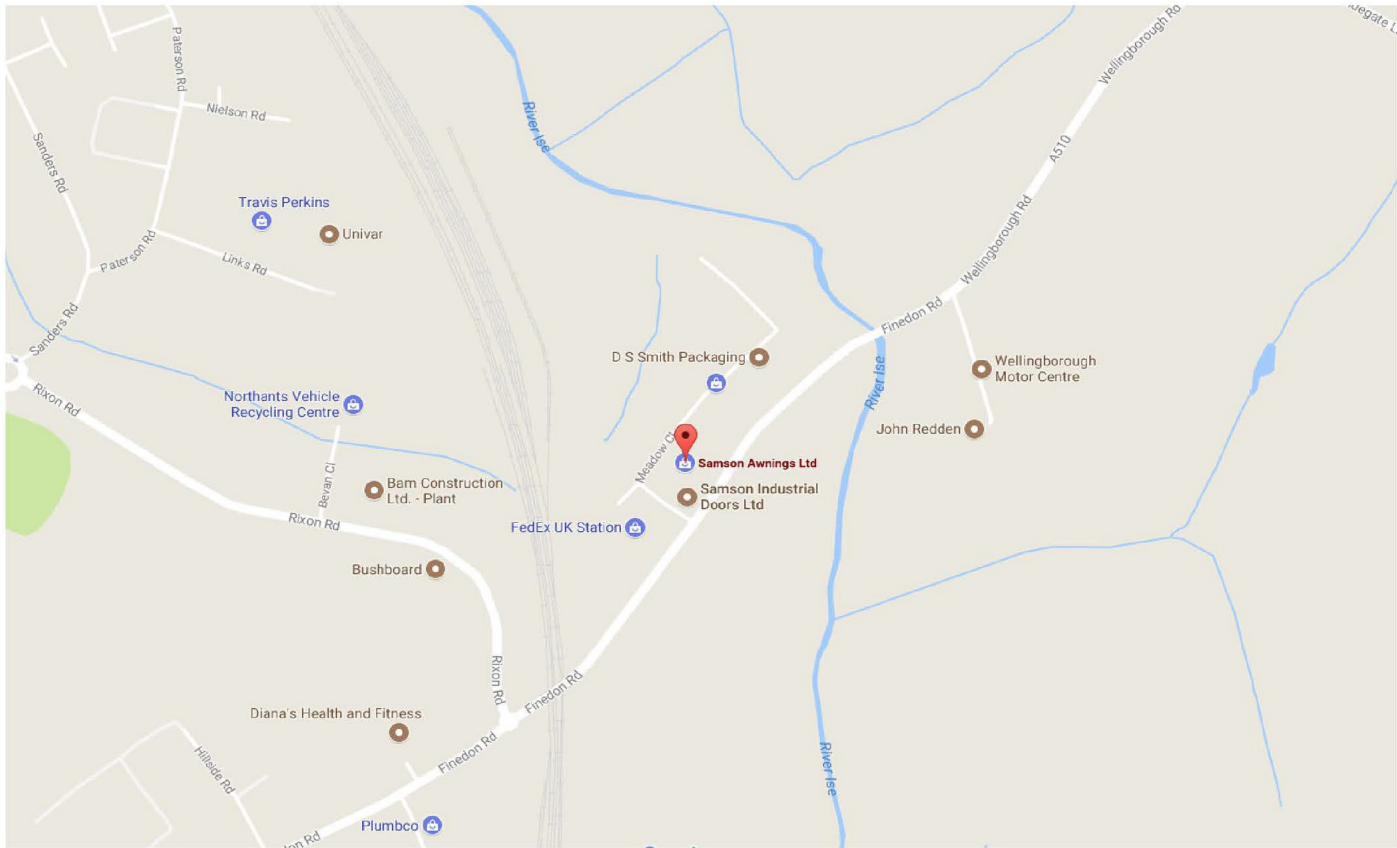
15

16

17



dimensions in mm



Nationwide delivery and installation service

**6-8 MEADOW CLOSE
ISE VALLEY INDUSTRIAL ESTATE
FINEDON ROAD
WELLINGBOROUGH
NN8 4BH**

**EMAIL: ENQUIRIES@SAMSONAWNINGS.CO.UK
TELEPHONE: (01933) 448844
MON - FRI 8:30AM - 5:30PM**

