

# **Markilux 1700 stretch Technical Brochure**



**EMAIL: [ENQUIRIES@SAMSONAWNINGS.CO.UK](mailto:ENQUIRIES@SAMSONAWNINGS.CO.UK)  
TELEPHONE: (01933) 448844  
MON - FRI 8:30AM - 5:30PM**



Open style folding-arm awning

## markilux 1700 stretch

The classic torque bar awning with a designer look. Technology laid bare with an award-winning appearance. Large projections at limited widths – the perfect solution for narrow reveals, balconies and patios.



reddot design award  
winner 2012



German  
Design Award  
NOMINEE 2014

[markilux.com](http://markilux.com)

**markilux**

safe timeless beautiful

# Product characteristics

Wind resistance class 2

Beaufort 5 → 7.5–10.4 m/s → 28–37 km/h → 17–23 mph

01  
02  
03  
04  
05  
06  
07  
08  
09  
10  
11  
12  
13  
14  
15  
16  
17



1 face fixture



1 face fixture, maximum pitch of 25°



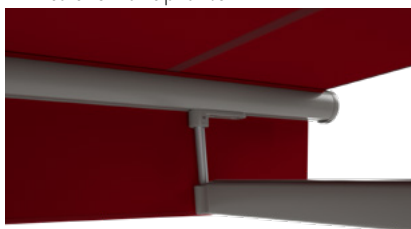
1 top fixture



2 folding arm suspended from the torque bar



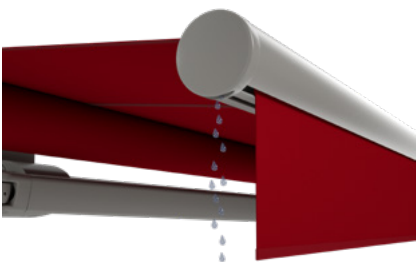
3 connection of the lower folding arm to the front profile



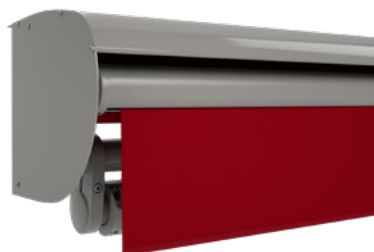
4 bionic tendon made of high-tech fibres for optimum power transference



5 special water drainage method and cover pocket hidden in the front profile



aluminium coverboard 1)



1) optional configuration

## Product characteristics

### Description

- open folding-arm awning with special arm technology ideally suited for shading areas with greater depth than width.

### Special features

- awning with an extremely torsion-resistant, round torque
- round, fluid transition from the round torque bar to the round roller tube
- the tiered arms make greater projections than widths possible
- ingenious pitch adjustment – the angle of the awning is adjusted via the fixture bracket

### Dimensions

- cassette in the standard version: depth 240 mm, height 289 mm
- single unit: minimum width 123 cm at the smallest projection of 150 cm minimum width 248 cm at the largest projection of 400 cm

### Roller tube and lateral bearings

- round roller tube Ø 85 mm with keyway, galvanised steel – excellent stability ensures near perfect cover performance even at the largest widths
- the roller support bracket is made of die-cast aluminium, powder coated, with integrated hidden cable canal when motor driven

### Awning profiles

- extruded aluminium, in façade quality, powder coated
- circular front profile with integrated gutter
- round steel torque bar Ø 50 mm, galvanised both inside and out, powder coated

### Folding arms

- profiles in extruded aluminium, in façade quality, powder coated
- moving parts made of drop-forged aluminium – the arms are therefore extremely fracture resistant
- pivot bolts in stainless steel run in Teflon-coated bronze bushes – practically maintenance free, virtually silent and extremely hard-wearing
- Power transference via the innovative bionic tendon at the elbow joint, made of high tensile, hightech fibres – low in friction, noiseless, insensitive to corrosion and UV resistant, independently tested by the Fraunhofer Institute

### Side caps

- the roller support bracket insert sections are made of high-quality plastic, powder coated or in a polished chrome finish
- the front profile end caps are made of high-quality plastic, powder coated or with a polished chrome finish, with water drainage holes

### Fixture brackets

- face fixture, top fixture, eaves fixture
- extruded aluminium, powder coated
- pitch range 5°–25°, infinitely adjustable
- spacer plates, stand-off brackets and other accessories are available

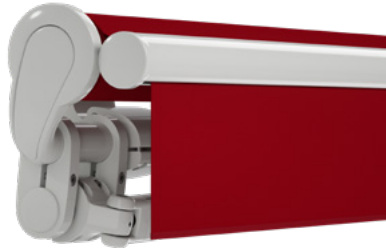
01 **Frame and end cap colours**

markilux frame colours without surcharge

02 traffic white RAL 9016

metallic aluminium RAL 9006

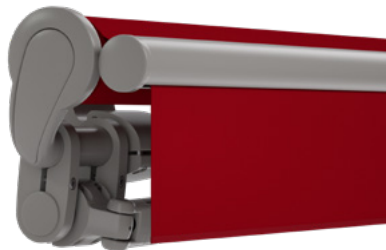
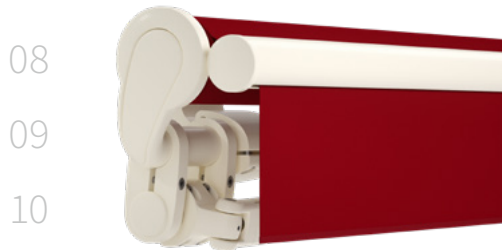
grey brown, similar to RAL 8019



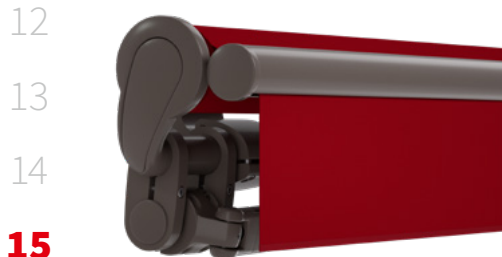
07 off-white textured finish, 5233 <sup>1)</sup>

stone grey metallic, 5215 <sup>1)</sup>

anthracite metallic, 5204 <sup>1)</sup>



11 Havana brown textured finish, 5229 <sup>1)</sup>

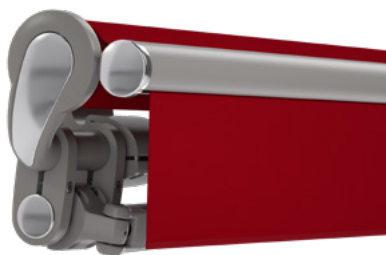
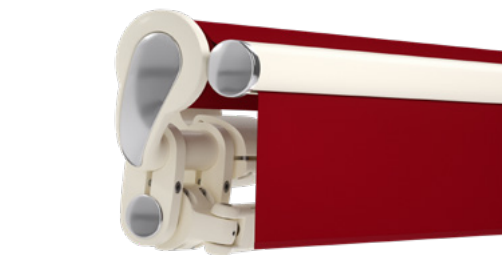


**15**

16 off-white textured finish, 5233 <sup>1)</sup>  
17 insert and front profile end cap in polished chrome

stone grey metallic, 5215 <sup>1)</sup>  
insert and front profile end cap in polished chrome

anthracite metallic, 5204 <sup>1)</sup>  
insert and front profile end cap in polished chrome



Combination options – possible in any frame colour

**Non-standard powder-coated finish**





Bespoke frame colours at a surcharge – matt, metallic and pearl finishes as well as other colour ranges (DB, Tiger etc.) on request. All frame colours are available at a surcharge with enhanced corrosion protection.

**1)** textured finish

Colours may differ slightly from those depicted in both hue and finish.

## Dimensions and configuration options

### Single unit


	Overall awning width								Minimum width			
	150	175	200	225	250	300	350	400	Motor		Crank handle	
<b>Order dimensions</b>	123 150	151 175	176 200	201 225	226 250	251 300	301 350	351 400				
<b>H</b>	150	200	250	300	350	400 <sup>3)</sup>			130	123	132	125
	2)	2)	1)	—	—	—	—	—	155	148	157	150
	—	—	2)	—	—	1)	—	—	180	173	182	175
	—	—	2)	—	—	—	1)	—	205	198	207	200
	—	—	—	2)	—	—	1)	1)	230	223	232	225
	—	—	—	—	—	—	—	—	255	248	257	250


1) = intermediate width on request


2) = observe the minimum widths!

3) = only available with motor drive (surcharge)

H = projection

 = 2 folding arms, 2 brackets

 = 2 standard arms

 = 2 bespoke arms (surcharge)

dimensions in cm

### Operation

	standard	optional
crank handle	✓	—
spring-assisted crank handle	—	✓
hard-wired motor	—	✓
silentec motor (optionally with an external io / RTS receiver) <sup>1)</sup>	—	—
radio-controlled motor io, 868 MHz	—	✓
radio-controlled motor RTS, 433 MHz	—	✓
radio-controlled motor RTS, 433 MHz with manual override <sup>1)</sup>	—	—

1) for awnings with a maximum of 2 arms

### Coupled Awning

not available

### Awning cover

	fabric range no.	standard	optional
sunvas	301.. / 309..-315..	✓	—
perla	370 ..	—	✓
sunsilk	324.. / 325.. / 328.. / 369..	✓	—
perla FR	374.. / 375..	—	✓
perfotex	331.. / 332..	—	—
transolair	338..	—	—
vuscreen Alu	317..	—	—
Soltis Perform 92	92-20..	—	—
glass fibre screen	272..	—	—
valance, height 25 cm		✓	—

### Shadeplus / drop valance

not available

01	<b>Optional accessories</b>
	aluminium coverboard
02	infrared heater 2500 W
03	infrared heater 2500 W with integrated radio-controlled receiver 868 MHz io
04	LED spotline – light bar 110 × 70 mm with 5 W LED spotlights, width 180 cm / 3 spots or 300 cm / 5 spots
05	LED spotline io – light bar 110 × 70 mm with 5 W LED spotlights with integrated dimmable radio-controlled receiver, width 180 cm / 3 spots or 300 cm / 5 spots
	automatic controls (light, wind, rain)

**N.B!** Important background information can be found in the chapter “Optional Accessories”.

<b>Fixture options</b>	
wall bracket 100 mm	70867.
spreader plate A 430 × 160 × 12 mm	75326.
spreader plate B 300 × 400 × 12 mm	75325.
markilux panel 250 × 230 × 49 mm	76308.
markilux panel continuous	76380.
stand-off bracket wide 80–300 mm	77968.
top fixture bracket 90 mm	70868.
eaves fixture bracket 90 mm, 150 mm plate	71612.
eaves fixture bracket 90 mm, 270 mm plate	71659.
flat plate and angled bracket for eaves fixture, machine finish, 500 mm	716620
spreader plate 260 × 60 × 12 mm for eaves fixture bracket	75383.

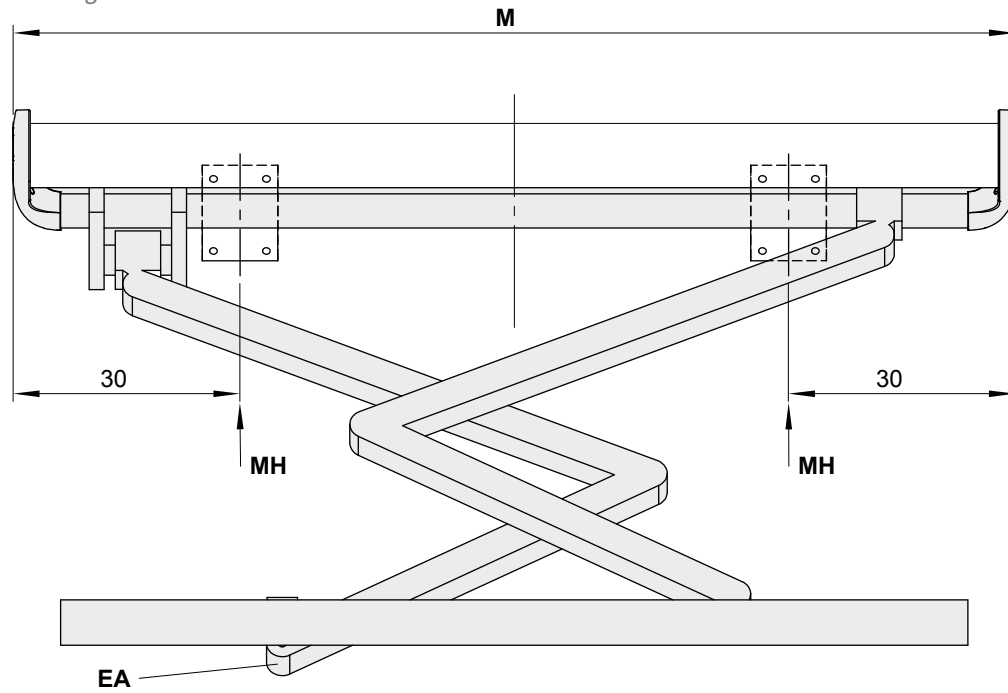
15

16

17

## Bracket fixture range

Awning with 2 folding arms



dimensions in cm

		Overall awning width							
		150	175	200	225	250	300	350	400
Order dimensions		123	151	176	201	226	251	301	351
		150	175	200	225	250	300	350	400
BHT		No. of brackets   No. of fixing points							
W	10	2   6							
BP		A 2   16				B 2   8			
PA		2   8							
DE	9	2   8							
DA	9	2   8							

dimensions in cm

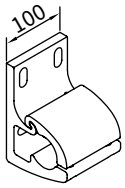
The **pull-out forces** necessary for determining the correct fixing materials necessary to meet wind resistance class 2 (Beaufort 5) can be found in the password-protected dealer area of the markilux.com website under "Pull-out Forces".

- BHT** = bracket width
- BP** = spreader plate A or B, to be positioned behind the folding arm
- DA** = eaves fixture bracket
- DE** = top fixture bracket
- EA** = operation side (opposite the tiered folding arm)
- M** = *order dimension* = awning width
- MH** = bracket centre
- PA** = markilux panel, fixture profile, width 250 mm
- W** = face fixture bracket



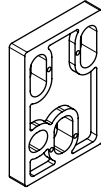
01 **Face fixture**

02 **Fixtures, fittings and accessories**



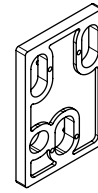
face fixture bracket  
100 mm

70867.



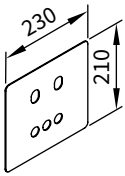
spacer plate  
100 × 150 × 20 mm  
**N.B!**  
Stack to a max. height of 200 mm

758831



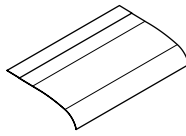
spacer plate  
100 × 150 × 12 mm

758841



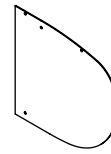
cover plate  
for spacer plate  
and stand-off brackets  
in the case of external  
insulation  
230 × 210 × 2 mm

71843.



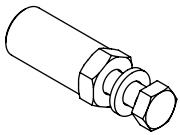
Coverboard incl. addi-  
tional profile and rubber  
sealing strip

72015., 72019., 75970.



End cheeks for  
the coverboard,  
282 × 87 × 2 mm

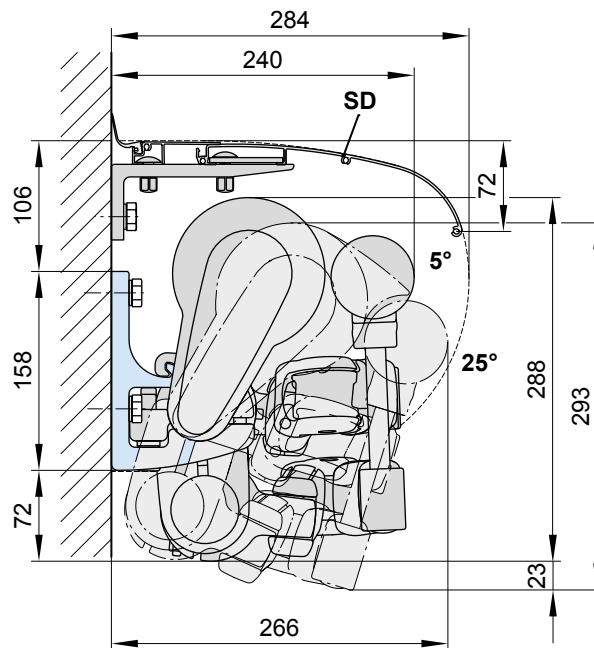
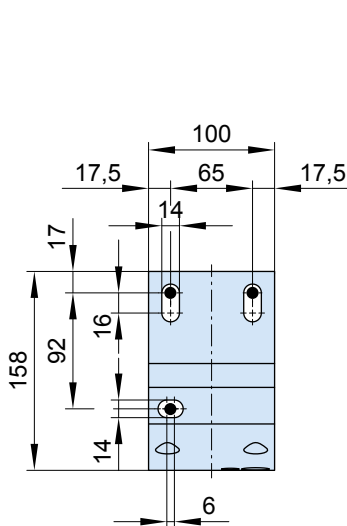
72043.



bolt reduction  
assembly  
pack 10 pcs

M 16 → M 12 | M 16 → M 10 | M 12 → M 10 | M 10 → M 10

15

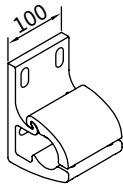


SD = coverboard

dimensions in mm

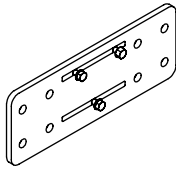
# Face fixture with spreader plate A

Fixtures, fittings and accessories



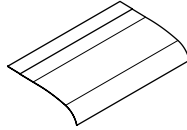
face fixture bracket  
100 mm

**70867.**



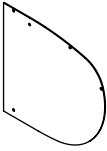
spreader plate A  
face fixture  
430 × 160 × 12 mm

**75326.**



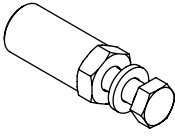
Schutzdach  
inkl. Zusatzprofil und  
Dichtgummi

**72015., 72019., 75970.**



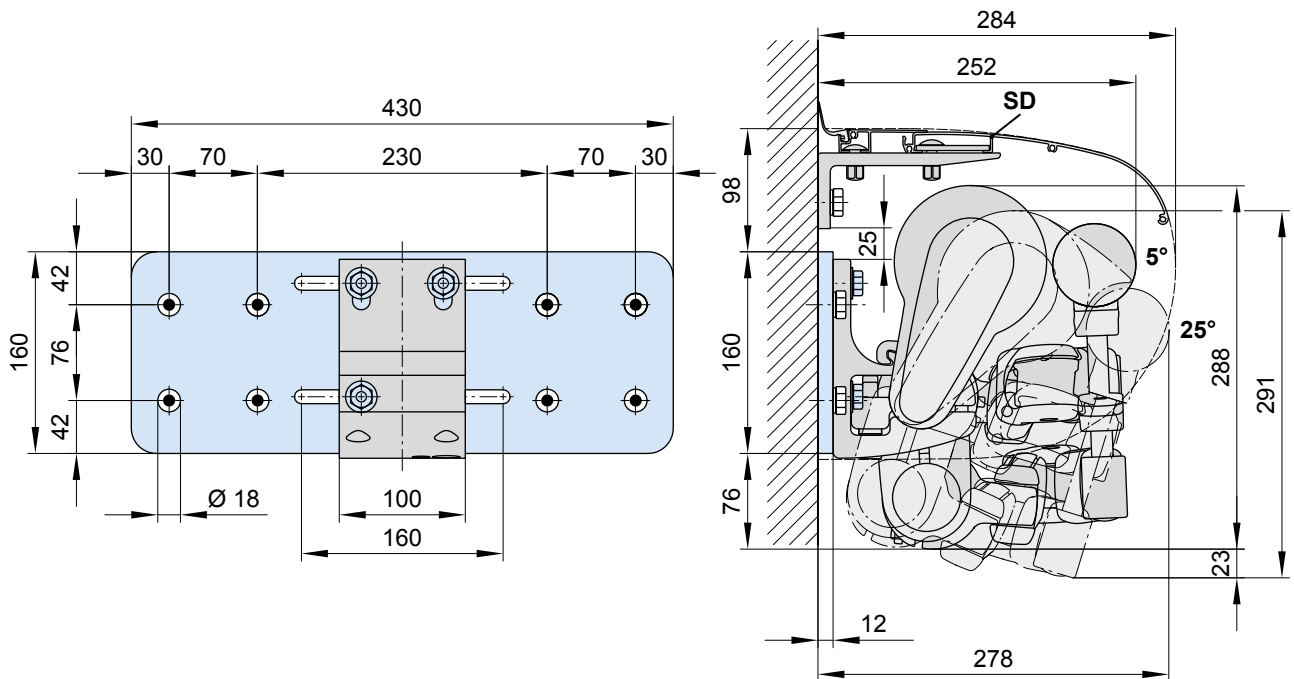
Seitenblende  
Schutzdach,  
282 × 263 × 2 mm

**72043.**



bolt reduction  
assembly  
pack 10 pcs

M 16 → M 12 | M 16 → M 10 | M 12 → M 10 | M 10 → M 10

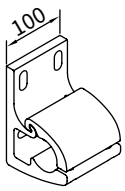


SD = coverboard

dimensions in mm

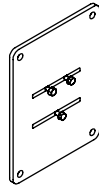
01 **Face fixture with spreader plate B**

02 Fixtures, fittings and accessories



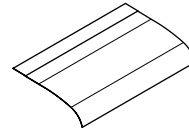
face fixture bracket  
100 mm

04 **70867.**



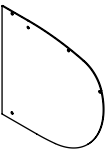
spreader plate B  
face fixture  
300 × 400 × 12 mm

**75325.**



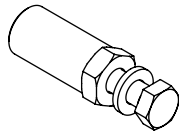
Coverboard incl. addi-  
tional profile and rubber  
sealing strip

**72015., 72019., 75970.**



End cheeks for  
the coverboard,  
282 × 87 × 2 mm

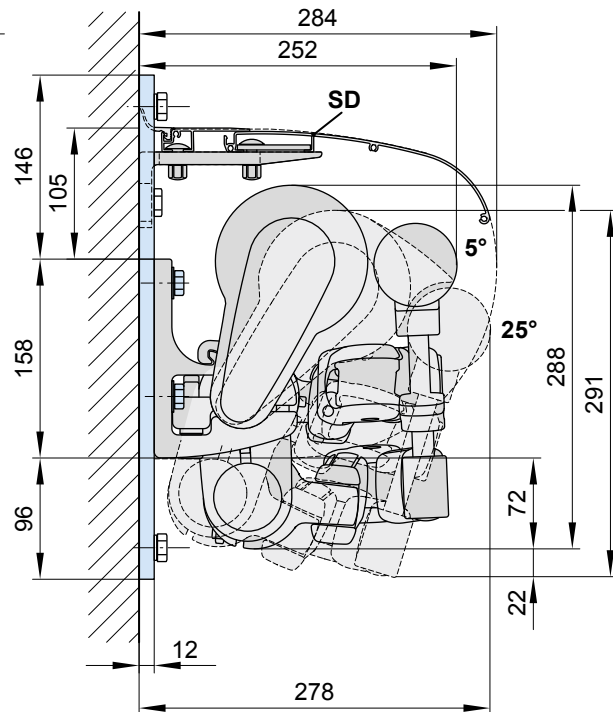
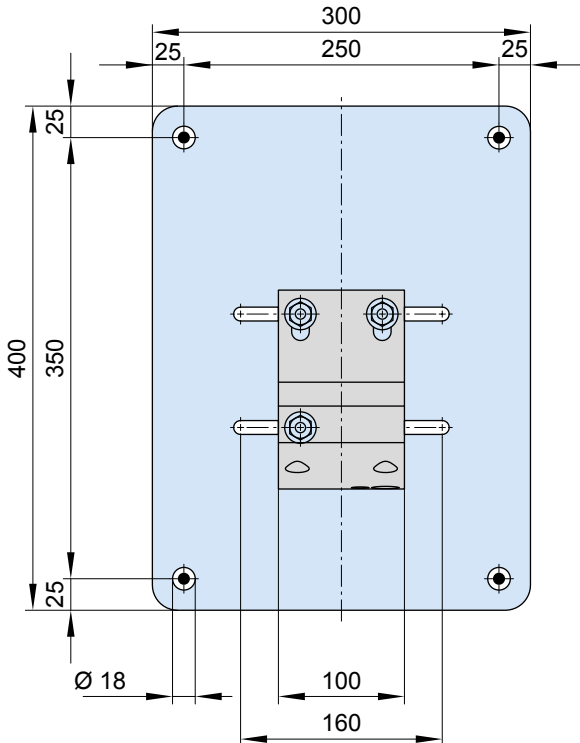
08 **72043.**



bolt reduction  
assembly  
pack 10 pcs

M 16 → M 12 | M 16 → M 10 | M 12 → M 10 | M 10 → M 10

15

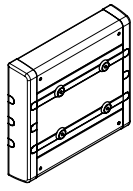


SD = coverboard

dimensions in mm

# Face fixture with markilux panel 250 mm

Fixtures, fittings and accessories

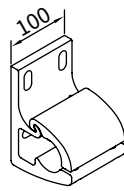


markilux panel 250 mm  
fixture profile

with decorative profiles  
and end caps

250 × 230 × 49 mm

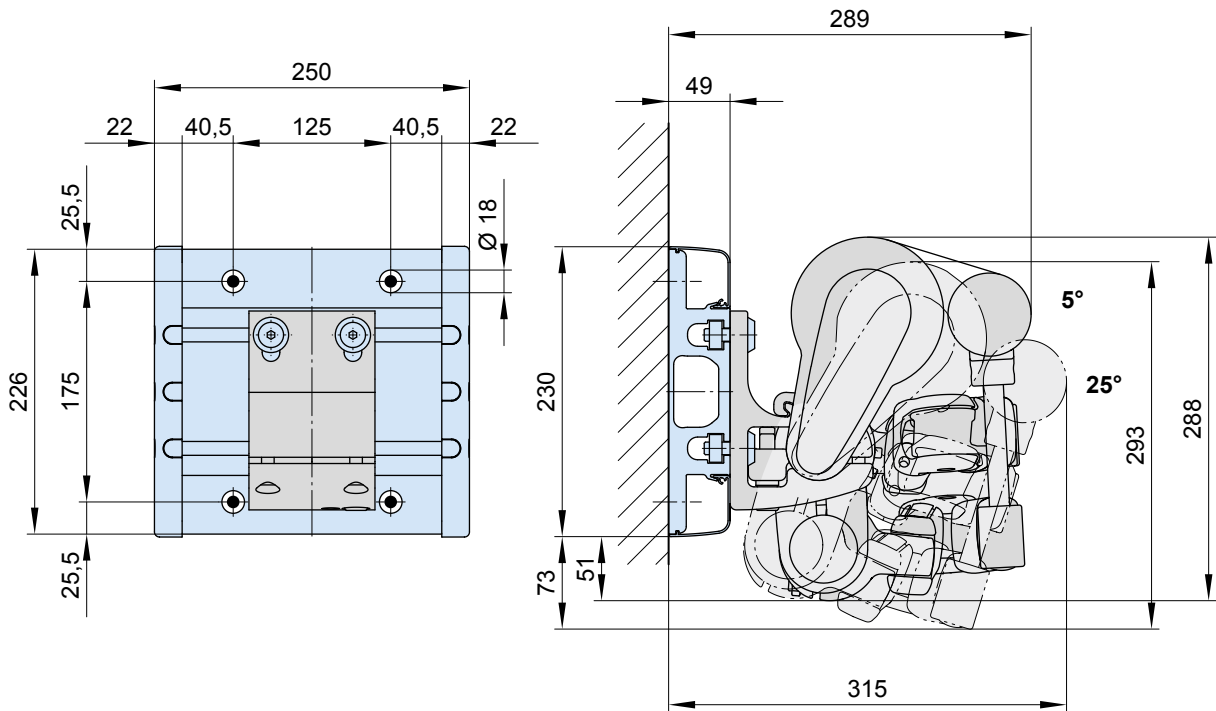
76308.



face fixture brackets

100 mm

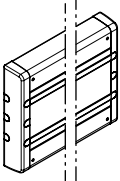
70867.



dimensions in mm

01 **Face fixture with markilux panel continuous**

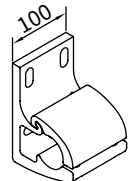
02 **Fixtures, fittings and accessories**

03  markilux panel 250 mm  
fixture profile

04 with decorative profiles  
and end caps

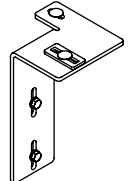
05 continuous

**76380.**

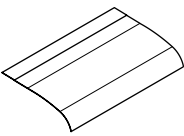
03  face fixture brackets

04 100 mm

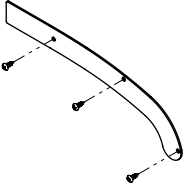
**70867.**

03  Coverboard brackets

**76390.**

06  Coverboard incl. addi-  
tional profile and rubber  
sealing strip

**72015., 72019., 75970.**

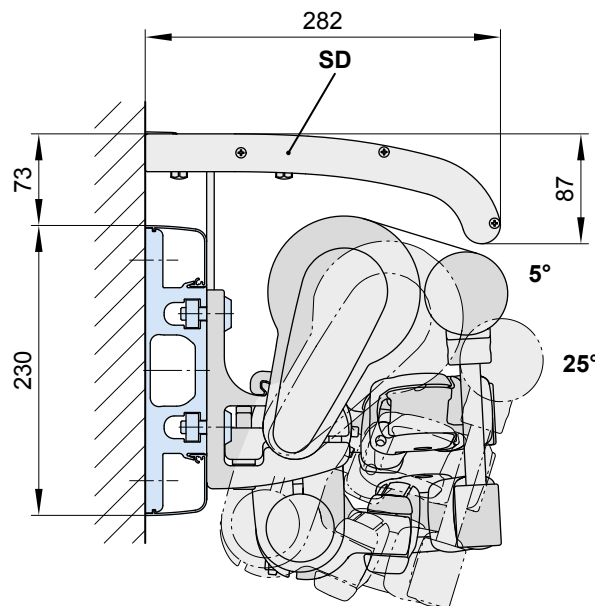
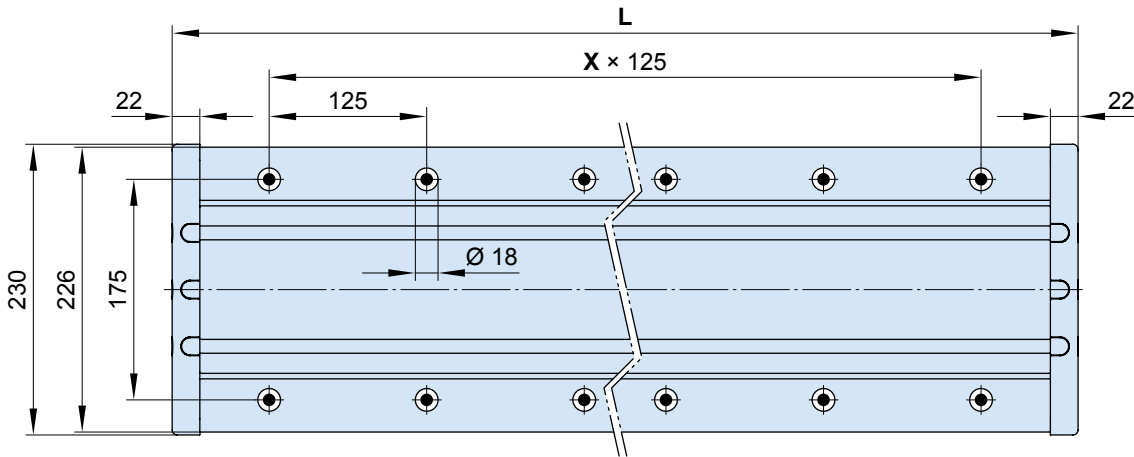
06  End cheeks for the cover-  
board, 282 × 87 × 2 mm

07 and

08 3 fillister head self-tap-  
ping screws

**76469. und 3 × 735611**

09 As a **continuous fixture profile**, the markilux panel will always be supplied to order on the basis of a technical drawing prepared in the factory in accordance with the awning specification.



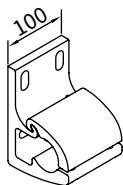
L = individual width, max. 7000 mm  
SD = coverboard

X = fixing point separation, **by way of example**

dimensions in mm

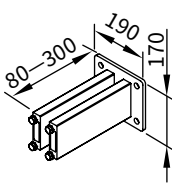
# Face fixture with stand-off bracket

Fixtures, fittings and accessories



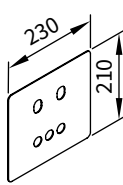
face fixture bracket  
100 mm

**70867.**



stand-off bracket  
for face fixture bracket  
70867.

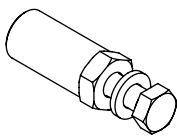
**77968.**



cover plate  
for spacer plate  
and stand-off brackets  
in the case of external  
insulation

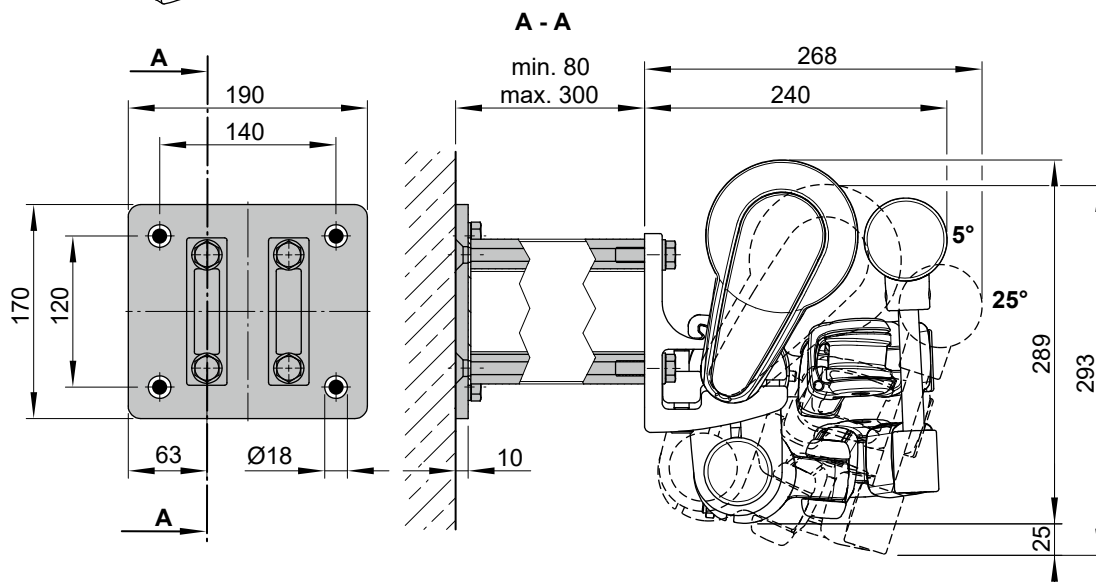
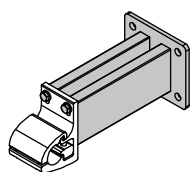
230 × 210 × 2 mm

**71843.**



bolt reduction  
assembly  
pack 10 pcs

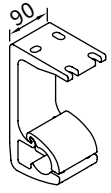
M 16 → M 12 | M 16 → M 10 | M 12 → M 10 | M 10 → M 10



dimensions in mm

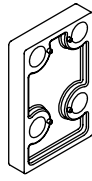
01 **Top fixture**

02 Fixtures, fittings and accessories



03 top fixture bracket  
04 90 mm

05 **70868.**



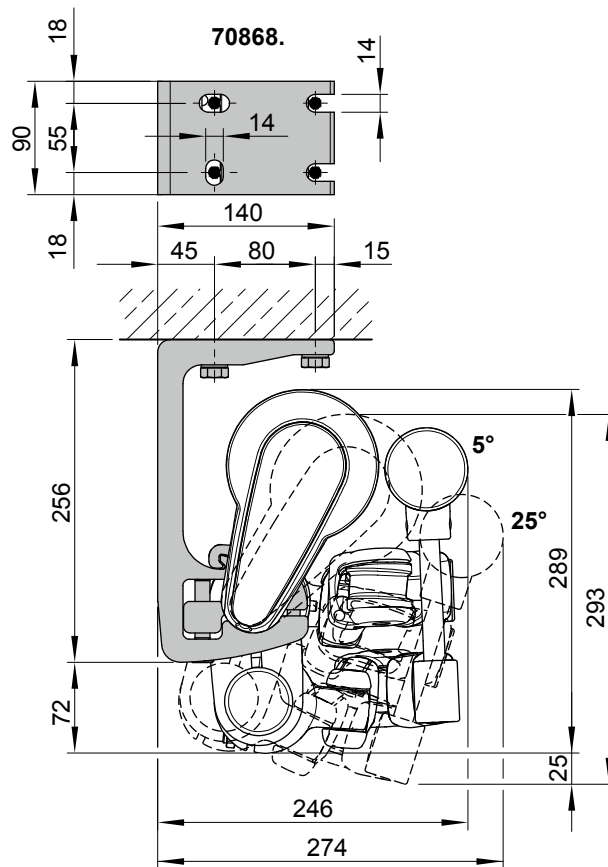
03 spacer plate for  
04 top fixture  
05 90 × 140 × 20 mm  
06  
07 **N.B!**  
08 stack to a max. height of  
09 200 mm

05 **716311**



03 spacer plate for  
04 top fixture  
05 90 × 140 × 12 mm

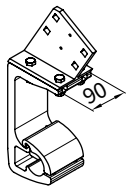
05 **716411**



dimensions in mm

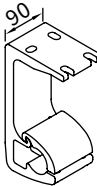
# Eaves fixture

## Fixtures, fittings and accessories



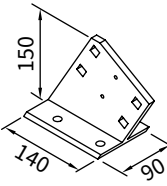
eaves fixture bracket  
complete set  
height of flat plate: 150 mm  
90 mm

**70871.**



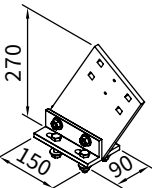
top fixture bracket  
90 mm

**70868.**



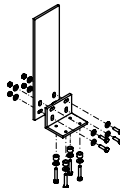
eaves fixture bracket  
150 mm

**71612.**



eaves fixture bracket  
270 mm  
please refer to "Eaves fixture with spreader / backing plate"

**71659.**

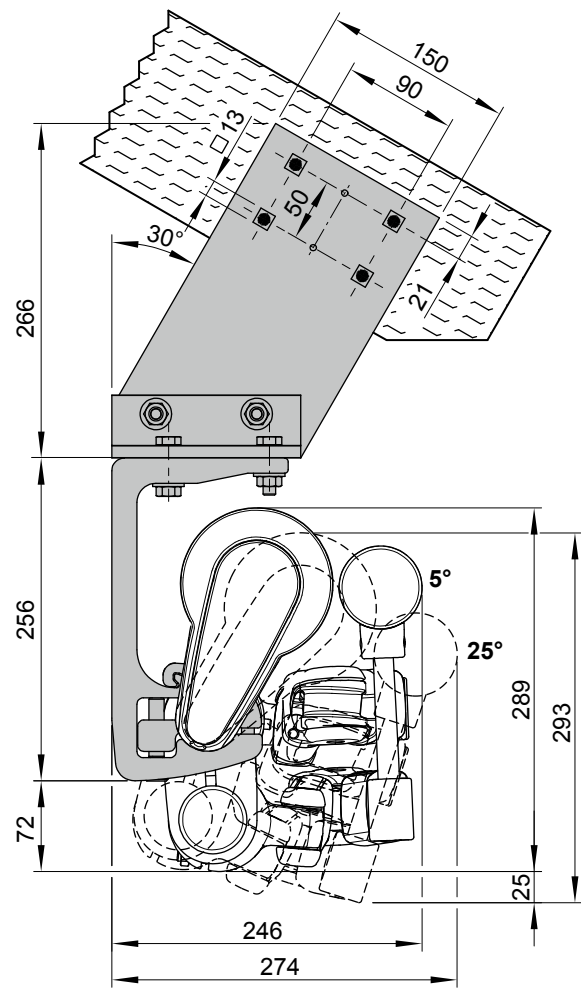
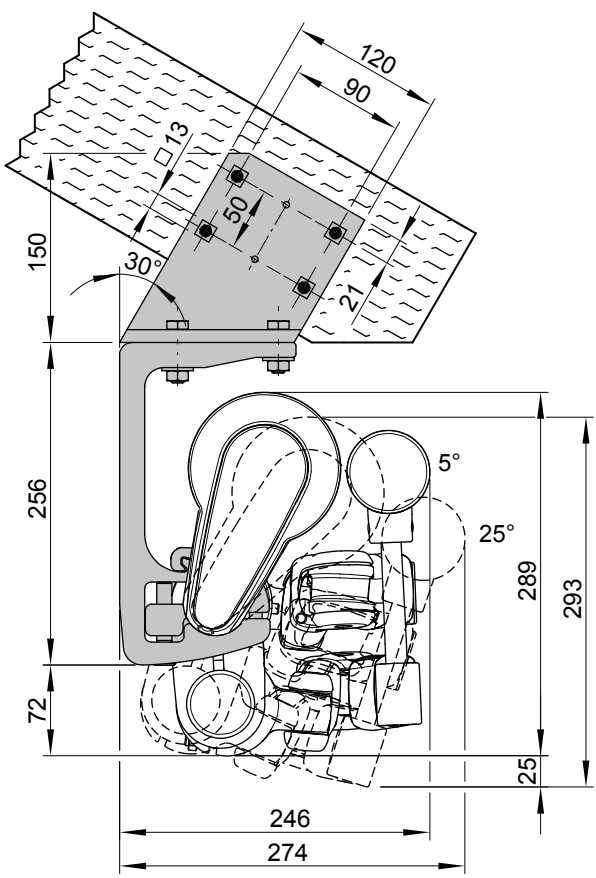


flat plate and angled bracket for eaves fixture  
machine finish

**716620**

with eaves fixture bracket, 150 mm plate (71612.)

with eaves fixture bracket, 270 mm plate (71659.)



dimensions in mm

15

16

17

01

02

03

04

05

06

07

08

09

10

11

12

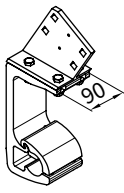
13

14



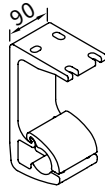
## Eaves fixture with additional plate

### Fixtures, fittings and accessories



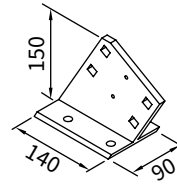
eaves fixture bracket  
complete set  
height of flat  
plate: 150 mm  
90 mm

**70871.**



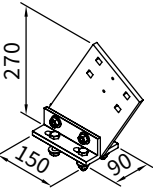
top fixture bracket  
90 mm

**70868.**



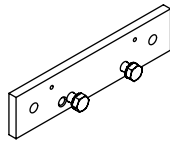
eaves fixture bracket  
150 mm

**71612.**



eaves fixture bracket  
270 mm  
please refer to "Eaves  
fixture with spreader /  
backing plate"

**71659.**

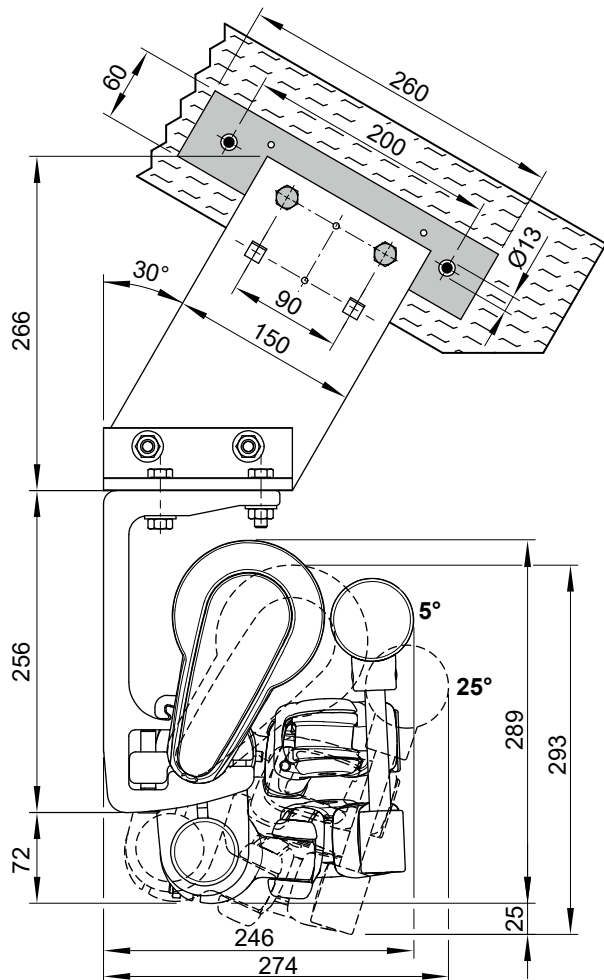
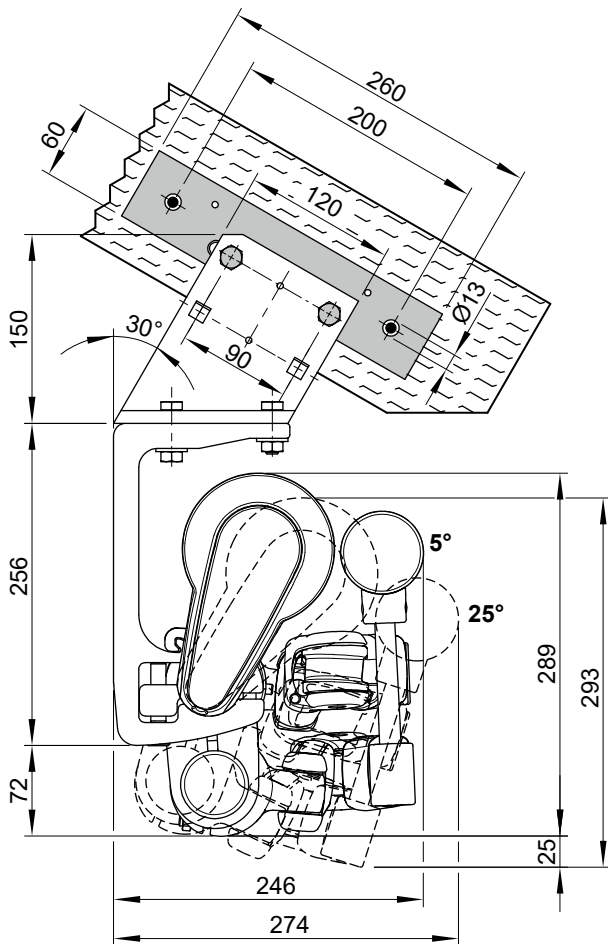


supplementary flat plate  
eaves fixture  
260 × 60 × 12 mm  
please refer to "Eaves  
fixture with spreader /  
backing plate"

**75383.**

With eaves fixture bracket, 150 mm plate (71612.)

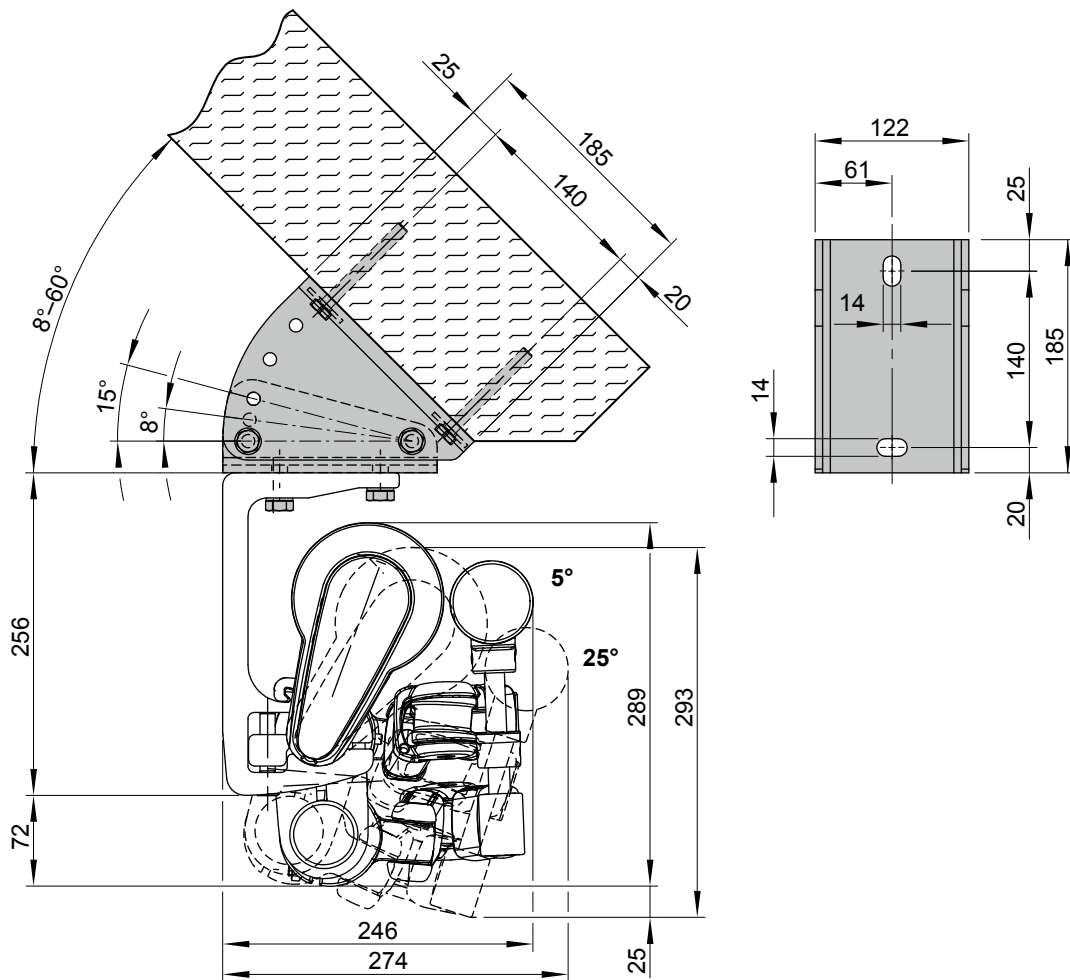
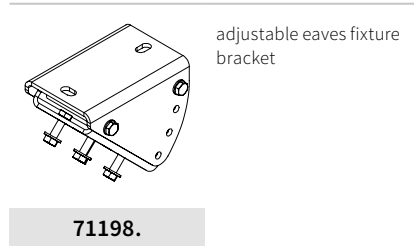
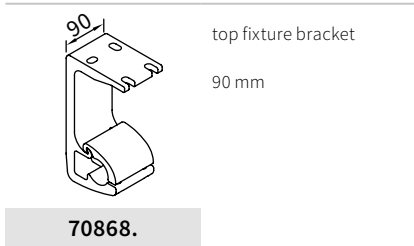
With eaves fixture bracket, 270 mm plate (71659.)



dimensions in mm

# Eaves fixture with adjustable bracket

Fixtures, fittings and accessories

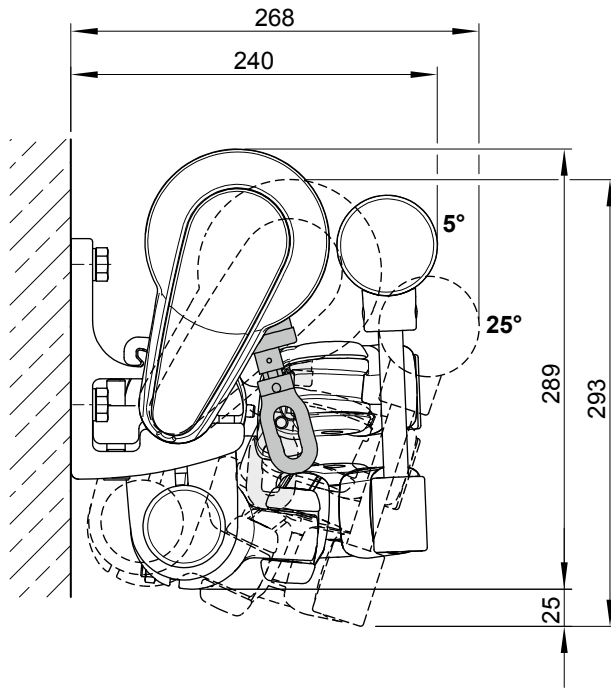


dimensions in mm

01  
02  
03  
04  
05  
06  
07  
08  
09  
10  
11  
12  
13  
14  
**15**  
16  
17

01 Face fixture, manual gearbox operation, dimensions at pitches between 5°-25°

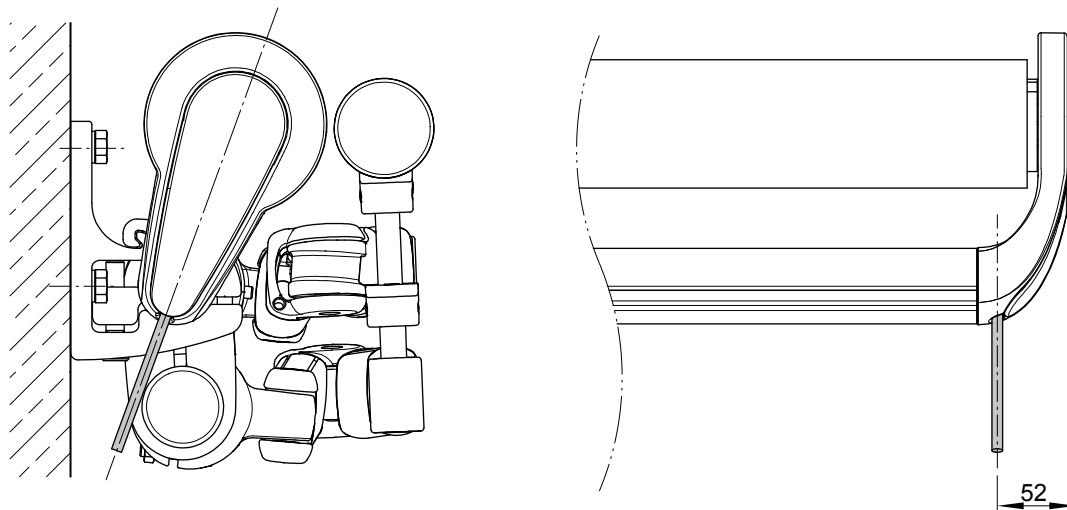
02  
03  
04  
05  
06  
07  
08  
09  
10  
11



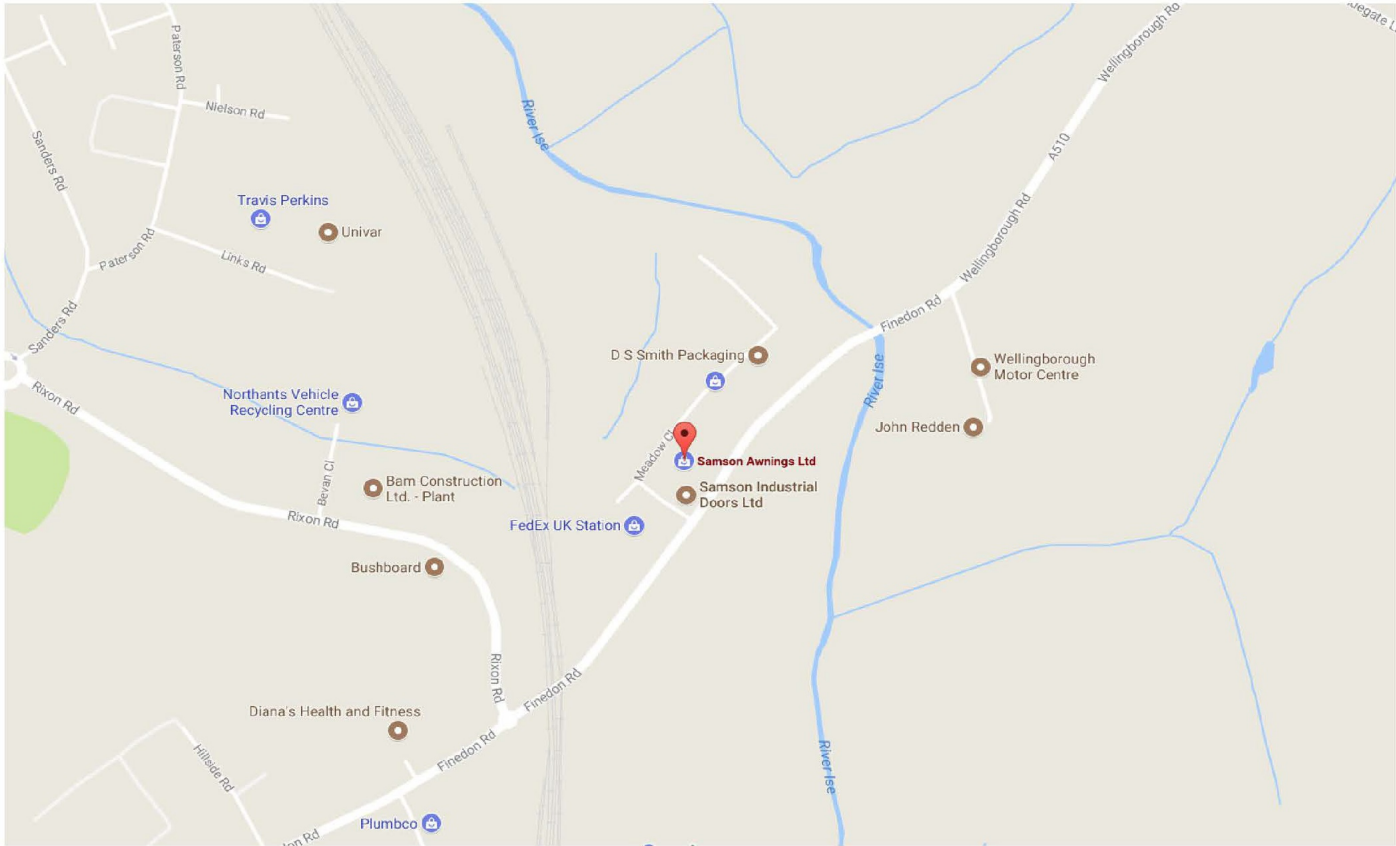
12  
13  
14

Motor cable exit point

15  
16  
17



dimensions in mm



## Nationwide delivery and installation service

**6-8 MEADOW CLOSE  
ISE VALLEY INDUSTRIAL ESTATE  
FINEDON ROAD  
WELLINGBOROUGH  
NN8 4BH**

**EMAIL: ENQUIRIES@SAMSONAWNINGS.CO.UK  
TELEPHONE: (01933) 448844  
MON - FRI 8:30AM - 5:30PM**

