

# **Markilux 1710 Technical Brochure**



**EMAIL: [ENQUIRIES@SAMSONAWNINGS.CO.UK](mailto:ENQUIRIES@SAMSONAWNINGS.CO.UK)  
TELEPHONE: (01933) 448844  
MON - FRI 8:30AM - 5:30PM**



Cassette awning

## markilux 1710

The classic torque bar awning with a designer look.

The droplet-shaped cover cassette lends it a harmonious appearance.



red dot design award  
winner 2012



German  
Design Award  
NOMINEE 2014

[markilux.com](http://markilux.com)

01933 448844

[www.samsonawnings.co.uk](http://www.samsonawnings.co.uk)

**markilux**

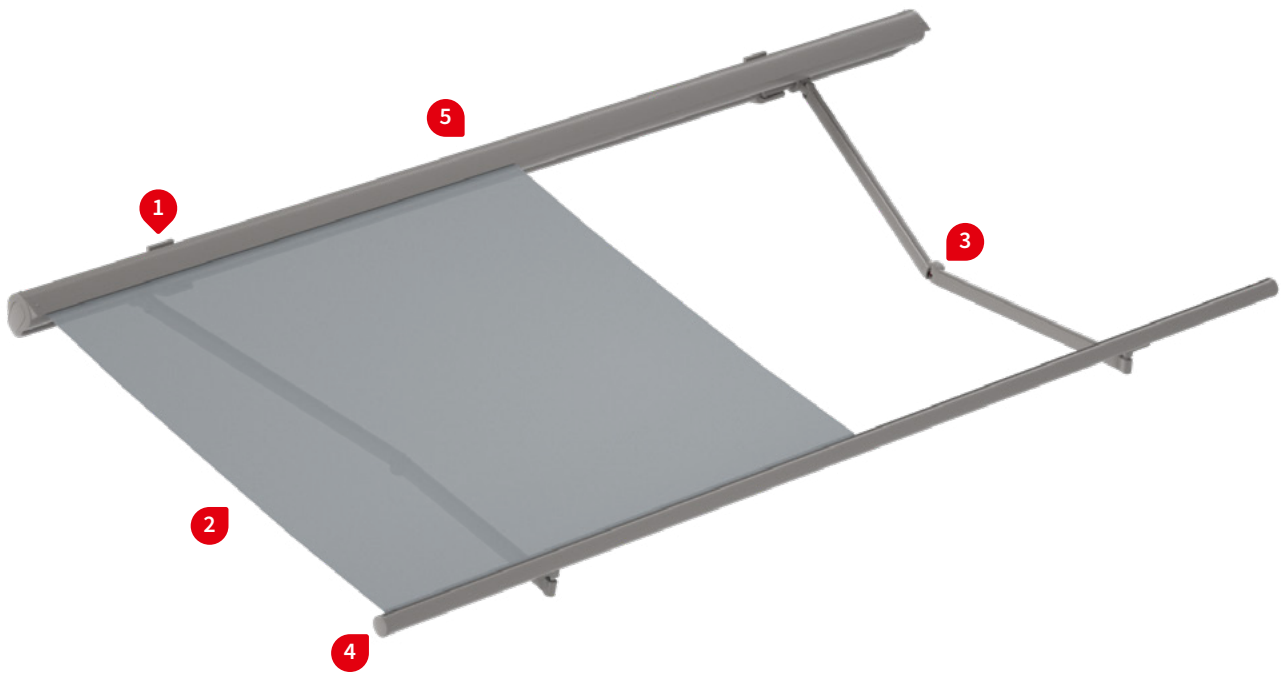
safe timeless beautiful

06/20

# Product characteristics

Wind resistance class 2

Beaufort 5 → 7.5–10.4 m/s → 28–37 km/h → 17–23 mph



## 10

1 face fixture



1 face fixture, maximum pitch of 25°



1 top fixture



1 crank handle



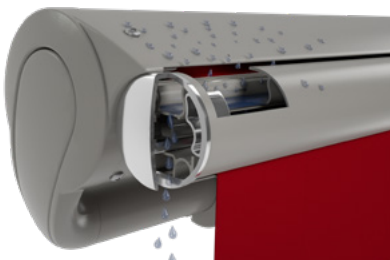
2 during extension



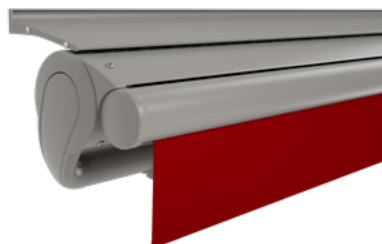
3 bionic tendon made of high-tech fibres for optimum power transference



4 special water drainage method and cover pocket hidden in the front profile



5 wall sealing profile <sup>1)</sup> up to a pitch of 25°



1) optional configuration

## Product characteristics

### Description

- extremely robust construction, ideally suited for shading large areas.

### Special features

- awning with an extremely torsion-resistant, round torque bar which gives a certain degree of flexibility when choosing the fixture points
- round, fluid transition from the round torque bar to the round cassette
- cover cassette with arms in front, covered and protected by the valance when closed – even when fully extended, the roller tube is completely protected

### Dimensions

- cassette in the standard version: depth 236 mm, height 217 mm
- single unit: minimum width 167 cm at the smallest projection of 150 cm, maximum width 700 cm at the largest projection of 350 cm
- also available as a coupled unit

### Roller tube and lateral arm bearers

- round roller tube Ø 85 mm with keyway, galvanised steel – excellent stability ensures near perfect cover performance even at the largest widths
- the roller support bracket is made of die-cast aluminium, powder coated, with integrated hidden cable canal when motor driven

### Awning profiles

- extruded aluminium, in façade quality, powder coated
- cassette in two parts
- circular front profile with integrated gutter
- round steel torque bar Ø 50 mm, galvanised both inside and out, powder coated

### folding arms

- profiles in extruded aluminium, in façade quality, powder coated
- moving parts made of drop-forged aluminium – the arms are therefore extremely fracture resistant
- pivot bolts in stainless steel run in Teflon-coated bronze bushes – practically maintenance free, virtually silent and extremely hard-wearing
- power transference via the innovative Bionic tendon at the elbow joint, made of high tensile, hightech fibres – low in friction, noiseless, insensitive to corrosion and UV resistant, independently tested by the Fraunhofer Institute

### Side caps

- the roller support bracket insert sections are made of high-quality plastic, powder coated or in a polished chrome finish
- the front profile end caps are made of high-quality plastic, powder coated or in polished chrome, with drainage holes

### Fixture brackets

- face fixture, top fixture, eaves fixture
- extruded aluminium, powder coated
- pitch range 5°–25°, infinitely adjustable
- spacer plates, stand-off brackets and other accessories are available

01 **Frame and end cap colours**

markilux frame colours without surcharge

02 traffic white RAL 9016

metallic aluminium RAL 9006

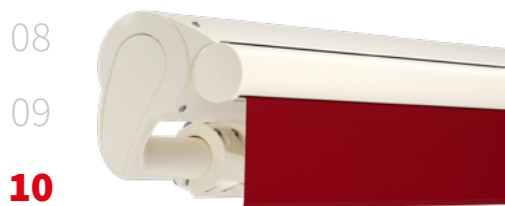
grey brown, similar to RAL 8019



06  
07 off-white textured finish, 5233 <sup>1)</sup>

stone grey metallic, 5215 <sup>1)</sup>

anthracite metallic, 5204 <sup>1)</sup>



10

11 Havana brown textured finish, 5229 <sup>1)</sup>



16  
17 off-white textured finish, 5233 <sup>1)</sup>  
insert and front profile end cap  
in polished chrome

stone grey metallic, 5215 <sup>1)</sup>  
insert and front profile end cap  
in polished chrome

anthracite metallic, 5204 <sup>1)</sup>  
insert and front profile end cap  
in polished chrome



Combination options – possible in any frame colour.

**Non-standard powder-coated finish**






Bespoke frame colours at a surcharge – matt, metallic and pearl finishes as well as other colour ranges (DB, Tiger etc.) on request. All frame colours are available at a surcharge with enhanced corrosion protection.

1) textured finish

Colours may differ slightly from those depicted in both hue and finish.

## Dimensions and configuration options

### Single unit

		Overall blind width										Minimum width				
		250	300	350	400	450	500	550	600	650	700 <sup>1)</sup>	Motor			Crank handle	
<b>Order dimensions</b>		167	251	301	351	401	451	501	551	601	651					
		250	300	350	400	450	500	550	600	650	700					
<b>H</b>	<b>150</b>	2)						3)	3)			180	167	—	182	169
	<b>200</b>	2)						3)	3)			230	217	—	232	219
	<b>250</b>	—	2)					3)				280	267	—	282	269
	<b>300</b>	—	—	2)								330	317	—	332	319
	<b>350</b>	—	—	—	2)					1)		380	367	618	382	369




dimensions in cm


1) = only available with motor drive (surcharge)


2) = observe the minimum widths!


3) = + 1 cassette support bracket

H = extension

	= 2 folding arms, 2 brackets
	= 2 folding arms, 3 brackets 1 cassette support bracket
	= 3 folding arms, 4 brackets, 2 cassette supports

 = 2 standard arms

 = 2 bespoke arms (surcharge)

 = 3 standard arms

### Operation

	standard	optional
crank handle	✓	—
spring-assisted crank handle	—	✓
hard-wired motor	—	✓
silentec motor (optionally with an external io / RTS receiver) <sup>1)</sup>	—	—
radio-controlled motor io, 868 MHz	—	✓
radio-controlled motor RTS, 433 MHz	—	✓
radio-controlled motor RTS, 433 MHz with manual override <sup>1)</sup>	—	—

1) for awnings with a maximum of 2 arms

### Coupled Awning (only with motor drive)<sup>1)</sup>

2 fields, 1 motor, maximum width 1390 cm
maximum extension 350 cm
junction roller (one-piece cover not available)

1) **N.B!** – Important background information can be found in the chapter “General Information”, in the section “Coupled Awnings”.

### awning cover

awning cover	fabric range no.	standard	optional
sunvas	301.. / 309..–315..	✓	—
perla	370 ..	—	✓
sunsilk	324.. / 325.. / 328.. / 369..	✓	—
perla FR	374.. / 375..	—	✓
perfortex	331.. / 332..	—	—
transolair	338..	—	—
vuscreen Alu	317..	—	—
Soltis Perform 92	92-20..	—	—
glass fibre screen	272..	—	—
valance, height 20 cm		✓	—

### Shadeplus / drop valance

not available

01	<b>Optional accessories</b>
02	wall sealing profile (effective up to a maximum awning pitch of 25°); coverboard when fitted to the markilux panel, in one piece
03	infrared heater 2500 W
04	infrared heater 2500 W with integrated radio-controlled receiver 868 MHz io
05	LED spotline – light bar 110 × 70 mm with 5 W LED spotlights, width 180 cm / 3 spots or 300 cm / 5 spots
06	LED spotline io – light bar 110 × 70 mm with 5 W LED spotlights with integrated dimmable radio-controlled receiver, width 180 cm / 3 spots or 300 cm / 5 spots
	automatic controls (light, wind, rain)

07 **N.B!** Important background information can be found in the chapter “Optional Accessories”.

08

09

**10**

11

12

13

14

15

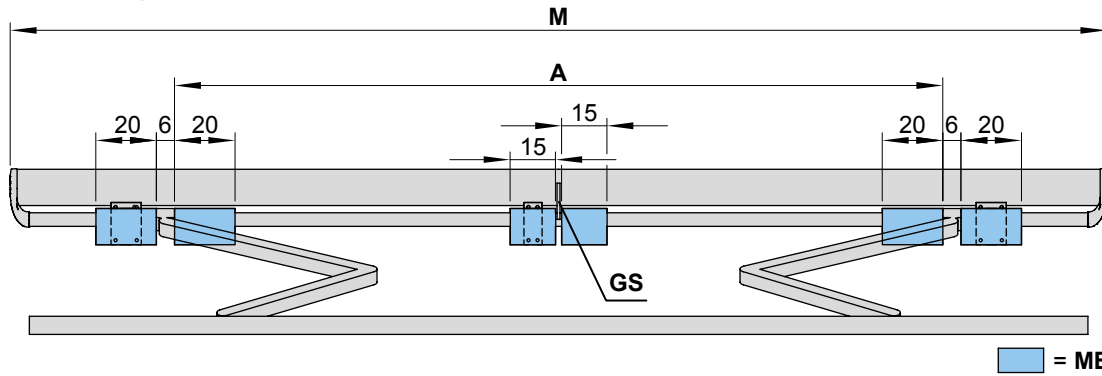
16

17

<b>Fixture options</b>	
wall bracket 100 mm	70867.
wall bracket 45 mm	71813.
spreader plate A 430 × 160 × 12 mm	75326.
spreader plate B 300 × 400 × 12 mm	75325.
markilux panel 250 × 230 × 49 mm	76308.
markilux panel continuous	76380.
stand-off bracket wide 80–300 mm	77968.
stand-off bracket narrow 80–300 mm	77967.
top fixture bracket 90 mm	70868.
top fixture bracket 45 mm	71818.
eaves fixture bracket 90 mm, 150 mm plate	71612.
eaves fixture bracket 90 mm, 270 mm plate	71659.
flat plate and angled bracket for eaves fixture, machine finish aluminium, 500 mm plate	716620
spreader plate 260 × 60 × 12 mm for eaves fixture bracket	75383.

# Bracket fixture range

Awning with 2 folding arms



dimensions in cm

		Overall blind width								
		250	300	350	400	450	500	550	600	650
Order dimensions		180	251	301	351	401	451	501	551	601
		250	300	350	400	450	500	550	600	650
		Arm position A								
H	150	154 <sup>1)</sup>	210	240	280	320	390	425	460	500
	200	204 <sup>2)</sup>	210 <sup>1)</sup>	240	280	320	390	425	460	500
	250	—	254 <sup>2)</sup>	260 <sup>1)</sup>	280	320	390	425	460	500
	300	—	—	304 <sup>2)</sup>	310 <sup>1)</sup>	320	390	425	460	500
	350	—	—	—	354 <sup>2)</sup>	360 <sup>1)</sup>	390	425	460	—
BHT		No. of brackets   No. of fixing points								
W	4.5	—						1   2		
	10	2   6						2   6		
BP		A 2   16    B 2   8						A 2   16    B 2   8		
DP		—						1		
PA		2   8						3   12		
DE	4.5	—						1   2		
	9	2   8						2   8		
DA	9	2   8						3   12		

dimensions in cm

If the brackets cannot be positioned in accordance with this table, make sure the actual dimensions are noted on the order form!

- 1) = coupled awning in intermediate widths available on request with junction roller
- 2) = please note the minimum widths! Dimension A is only valid for standard arms! Dimension A is 13 cm smaller in the case of bespoke arms. In the case of small awnings the brackets can only be fitted inside the arms, i.e. the position denoted by measurement A. Coupled units are not available with junction roller.

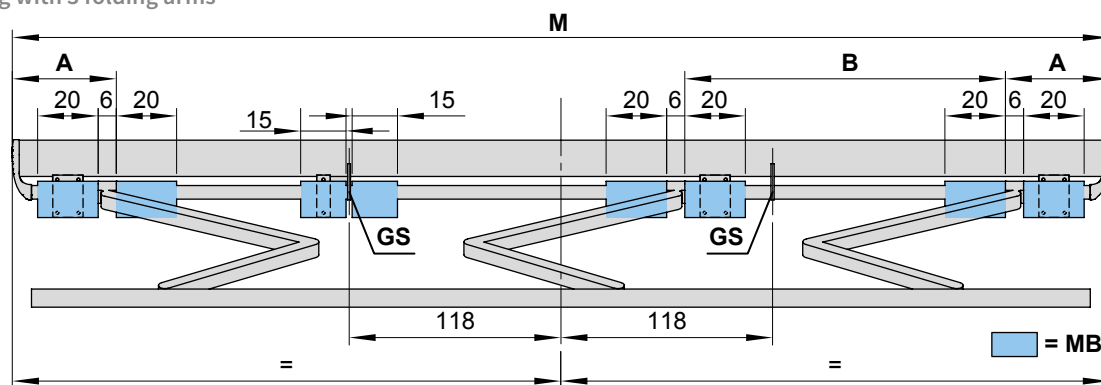
The **pull-out forces** necessary for determining the correct fixing materials necessary to meet wind resistance class 2 (Beaufort 5) can be found in the password-protected dealer area of the markilux.com website under "Pull-out Forces".

- A** = arm position
- BHT** = bracket width
- BP** = spreader plate A or B, to be positioned behind the folding arm
- DA** = eaves fixture bracket
- DE** = top fixture bracket
- DP** = spacer plate 71826., to be positioned near to the cassette support in the case of spreader plate A or B
- GS** = cassette support bracket
- H** = *order dimension* = extension
- M** = *order dimension* = awning width
- MB** = bracket fixture range
- PA** = markilux panel, fixture profile, width 250 mm
- W** = face fixture brackets



## Bracket fixture range

Awning with 3 folding arms



dimensions in cm

Overall blind width			
650		700	
Order dimensions	618	651	675
	650	674	690
			700

		Arm position							
		A	B	A	B	A	B	A	B
H	150	—	—	55	235	55	245	55	245
	200	—	—	55	225	55	235	55	235
	250	—	—	55	215	55	225	55	225
	300	—	—	45	210	55	215	55	215
	350	13 <sup>1)</sup>	215 <sup>1)</sup>	23 <sup>1)</sup>	215 <sup>1)</sup>	31 <sup>1)</sup>	225 <sup>1)</sup>	38	225

		No. of brackets   No. of fixing points	
W	4,5	1   2	
	10	3   9	
BP		A 3   24    B 3   12	
DP		1	
PA		4   16	
DE	4,5	1   2	
	9	3   12	
DA	9	4   16	

dimensions in cm

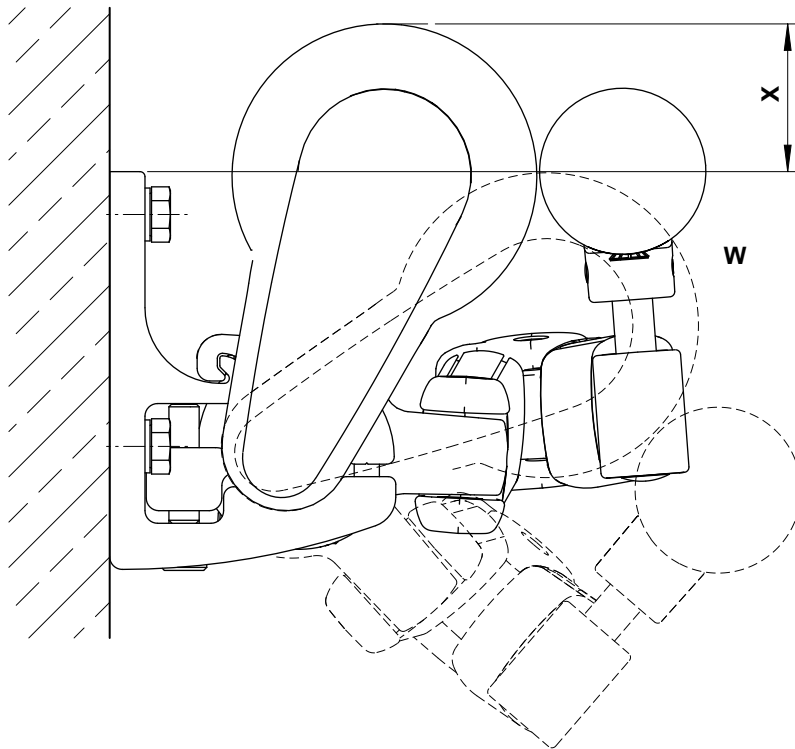
If the brackets cannot be positioned in accordance with this table, make sure the actual dimensions are noted on the order form!

The **pull-out forces** necessary for determining the correct fixing materials necessary to meet wind resistance class 2 (Beaufort 5) can be found in the password-protected dealer area of the markilux.com website under "Pull-out Forces".

- 1) = coupled units are not available with junction roller
- A, B = arm position
- BHT = bracket width
- BP = spreader plate A or B, to be positioned behind the folding arm
- DA = eaves fixture bracket
- DE = top fixture bracket
- DP = spacer plate 71826., to be positioned behind the left rolltex bearing, in the case of spreader plate A or B
- GS = cassette support bracket
- H = *order dimension* = extension
- M = *order dimension* = awning width
- MB = bracket fixture range
- PA = markilux panel, fixture profile, width 250 mm
- W = face fixture brackets

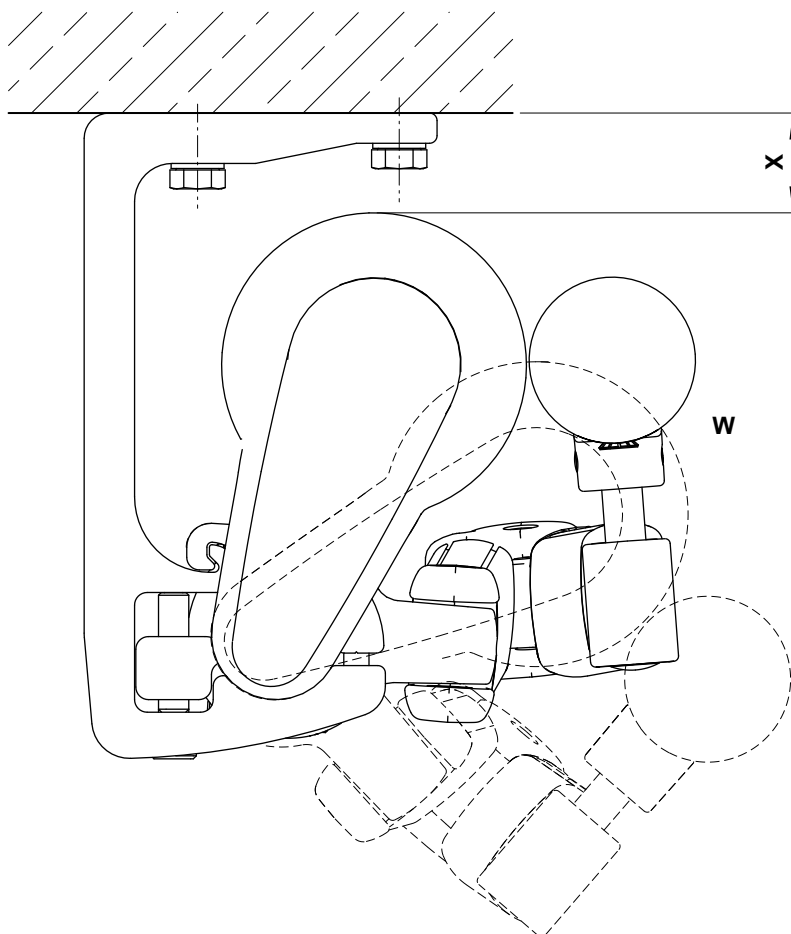
## Overall unit height at different pitch settings

Face fixture



pitch (W)	approx. height in mm (X)
5°	59
10°	55
15°	50
20°	45
25°	39

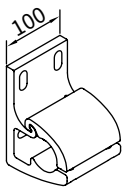
Top fixture



pitch (W)	approx. height in mm (X)
5°	40
10°	44
15°	48
20°	54
25°	60

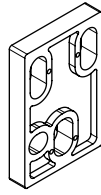
01 **Face fixture**

02 **Fixtures, fittings and accessories**



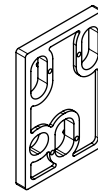
face fixture brackets  
100 mm

**70867.**



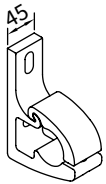
spacer plate  
100 × 150 × 20 mm  
**N.B!**  
Stack to a max. height of 200 mm

**758831**



spacer plate  
100 × 150 × 12 mm

**758841**



face fixture brackets  
for central fixture,  
depending on size  
45 mm

**71813.**



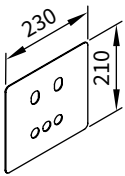
spacer plate for face  
fixture  
45 × 150 × 20 mm  
**N.B!**  
stack to a max. height of 200 mm

**718251**



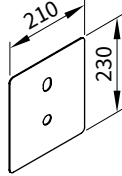
spacer plate for face  
fixture  
45 × 150 × 12 mm

**71826.**



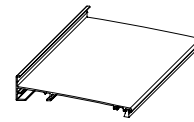
cover plate  
for spacer plate  
and stand-off brackets  
in the case of external  
insulation  
230 × 210 × 2 mm

**71843.**



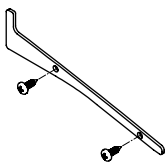
cover plate  
for spacer plate  
and stand-off brackets  
in the case of external  
insulation  
210 × 230 × 2 mm

**71844.**



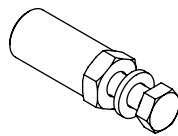
Wall sealing profile  
incl. brush seal  
when installing with a  
coverboard  
available by the metre

**76385. and 704241**



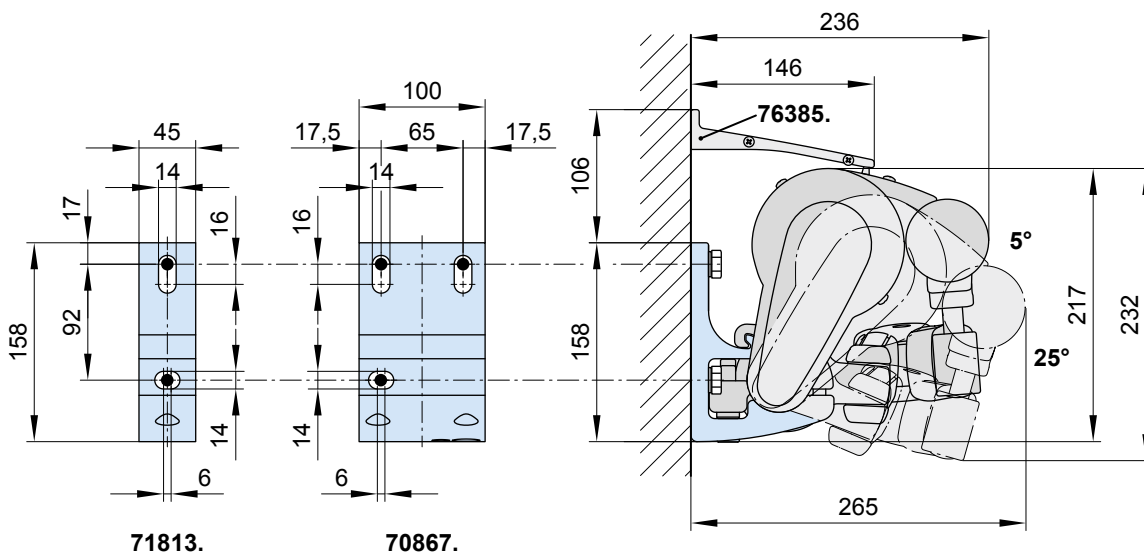
1 side plate including  
2 pan-head self-tapping  
screws for wall sealing  
profile

**76386. and 2 × 735611**



bolt reduction assembly  
pack 10 pcs

M 16 → M 12 | M 16 → M 10 | M 12 → M 10 | M 10 → M 10

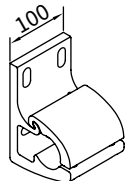


**76385.** = wall sealing profile (standard width = awning width (M); up to a maximum awning pitch of 25°)

dimensions in mm

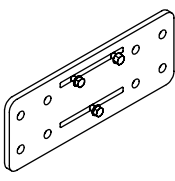
# Face fixture with spreader plate A

Fixtures, fittings and accessories



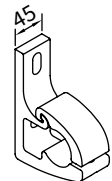
face fixture brackets  
100 mm

**70867.**




spreader plate A  
face fixture  
160 × 430 × 12 mm

**75326.**



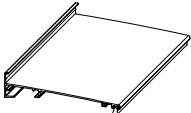
face fixture brackets  
for central fixture,  
depending on size  
45 mm

**71813.**



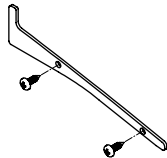
spacer plate for face  
fixture  
45 × 150 × 12 mm

**71826.**



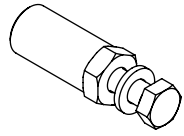
Wall sealing profile  
incl. brush seal  
when installing with a  
coverboard  
available by the metre

**76385. and 704241**



1 side plate including  
2 pan-head self-tapping  
screws for wall sealing  
profile

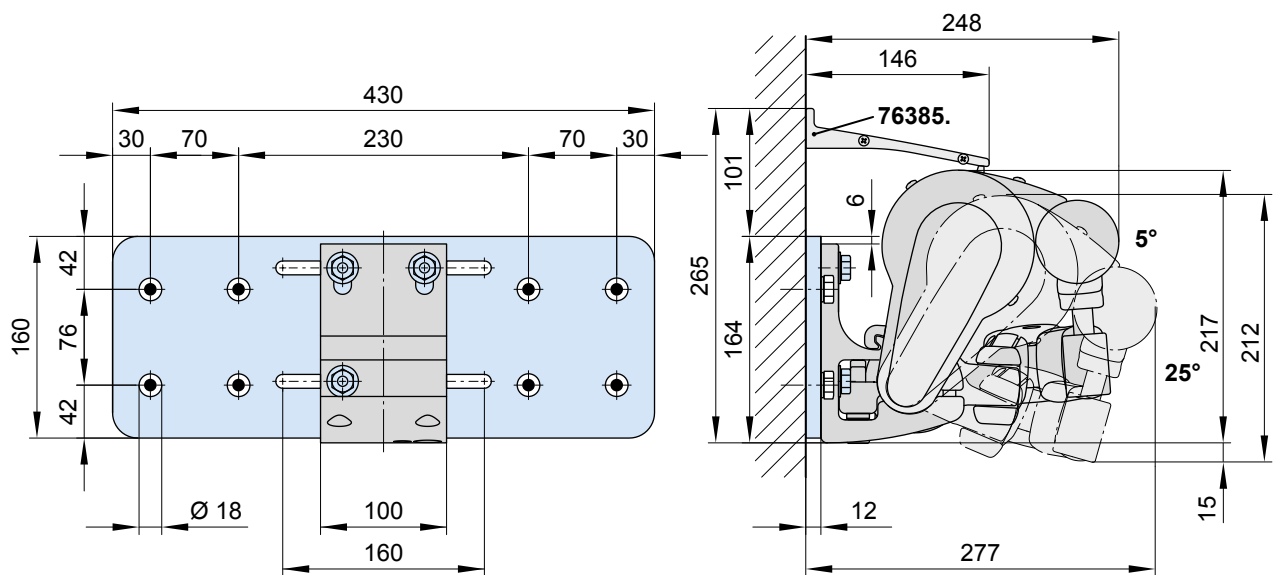
**76386. and 2 × 735611**



bolt reduction assembly  
pack 10 pcs

M 16 → M 12 | M 16 → M 10 | M 12 → M 10 | M 10 → M 10

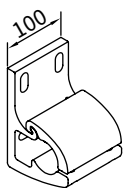
01  
02  
03  
04  
05  
06  
07  
08  
09  
**10**  
11  
12  
13  
14  
15  
16  
17



**76385.** = wall sealing profile (standard width = awning width (M); up to a maximum awning pitch of 25°) dimensions in mm

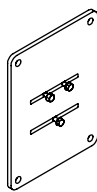
01 **Face fixture with spreader plate B**

02 Fixtures, fittings and accessories



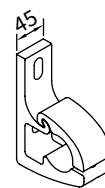
face fixture brackets  
100 mm

03 **70867.**



spreader plate B  
face fixture  
300 × 400 × 12 mm

04 **75325.**



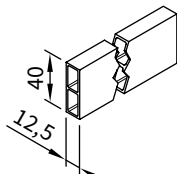
face fixture brackets  
for central fixture,  
depending on size  
45 mm

05 **71813.**



spacer plate for face  
fixture  
45 × 150 × 20 mm

06 **71826.**



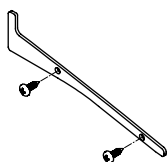
stand-off strip for  
wall sealing profile  
available by the metre

07 **751971**



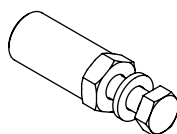
Wall sealing profile  
incl. brush seal  
when installing with a  
coverboard  
available by the metre

08 **76385. and 704241**



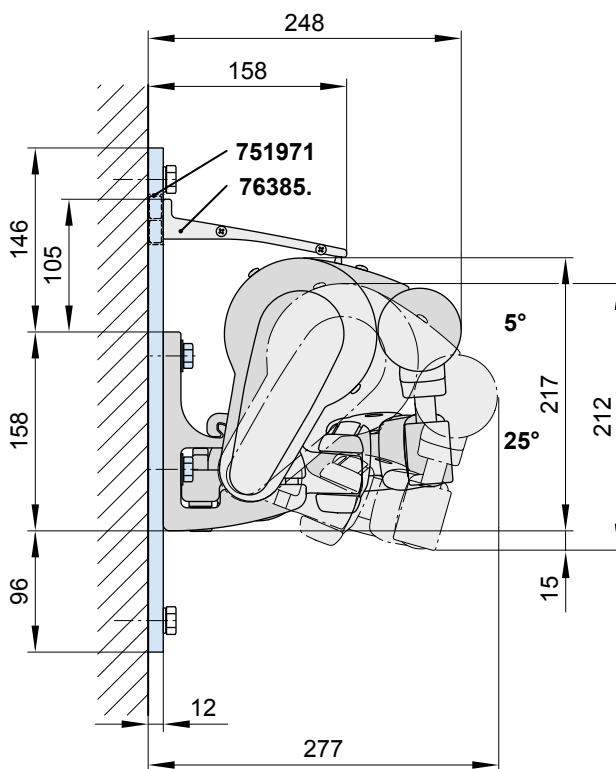
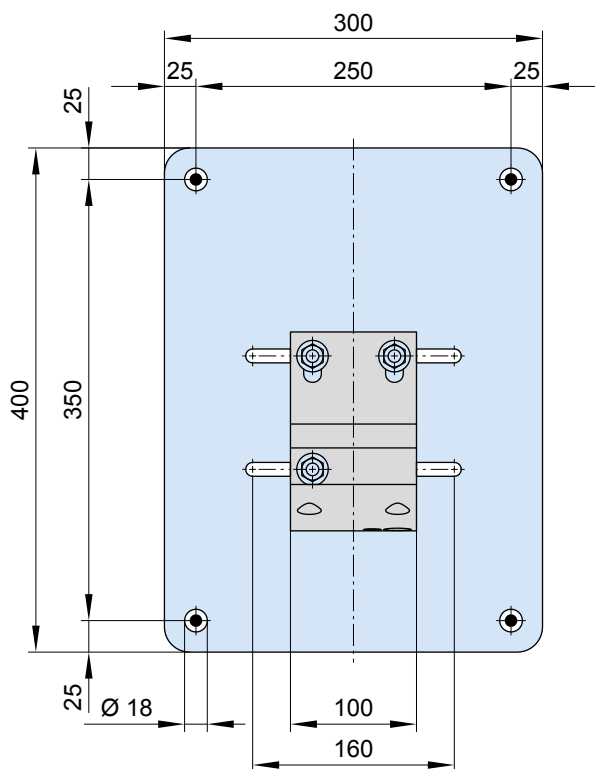
1 side plate including  
2 pan-head self-tapping  
screws for wall sealing  
profile

09 **76386. and 2 × 735611**



bolt reduction assembly  
pack 10 pcs

M 16 → M 12 | M 16 → M 10 | M 12 → M 10 | M 10 → M 10



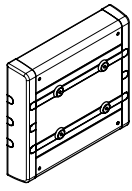
10 **751971** = stand-off strip for wall sealing profile

**76385.** = wall sealing profile (standard width = awning width (M); up to a maximum awning pitch of 25°)

dimensions in mm

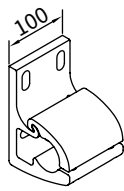
# Face fixture with markilux panel 250 mm

## Fixtures, fittings and accessories



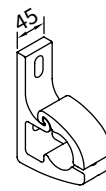
markilux panel 250 mm  
fixture profile  
with decorative profiles  
and end caps  
250 × 230 × 49 mm

**76308.**



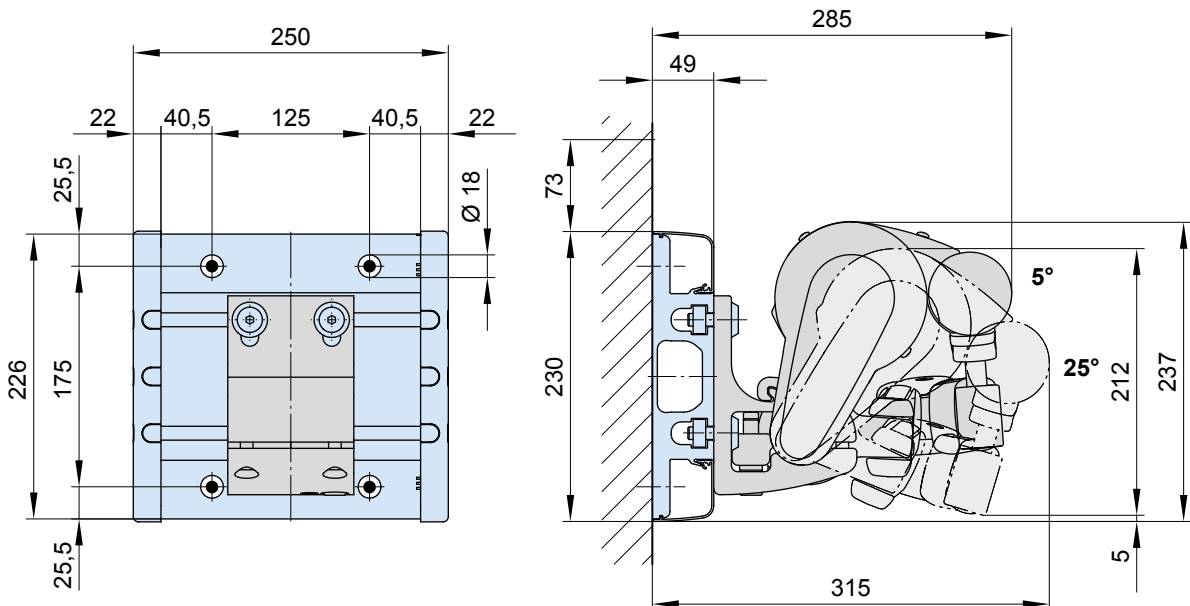
face fixture brackets  
100 mm

**70867.**



face fixture brackets  
for central fixture,  
depending on size  
45 mm

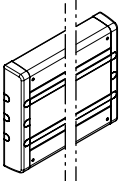
**71813.**



dimensions in mm

01 **Face fixture with markilux panel continuous**

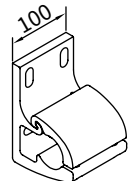
02 **Fixtures, fittings and accessories**

03  markilux panel 250 mm  
fixture profile

04 with decorative profiles  
and end caps

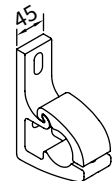
05 continuous

**76380.**

03  face fixture brackets

04 100 mm

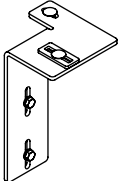
**70867.**

03  face fixture brackets

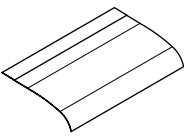
04 for central fixture,  
depending on size

05 45 mm

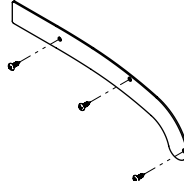
**71813.**

06  Coverboard brackets

**76390.**

06  Coverboard incl. addi-  
tional profile and rubber  
sealing strip

**72015., 72019., 75970.**

06  End cheeks for the cover-  
board, 282 × 87 × 2 mm

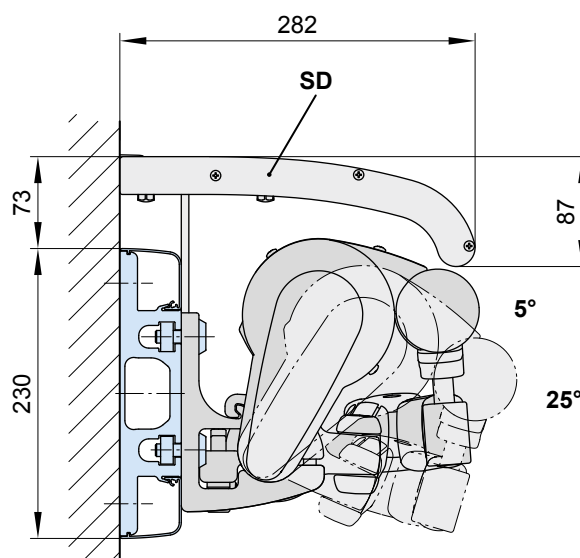
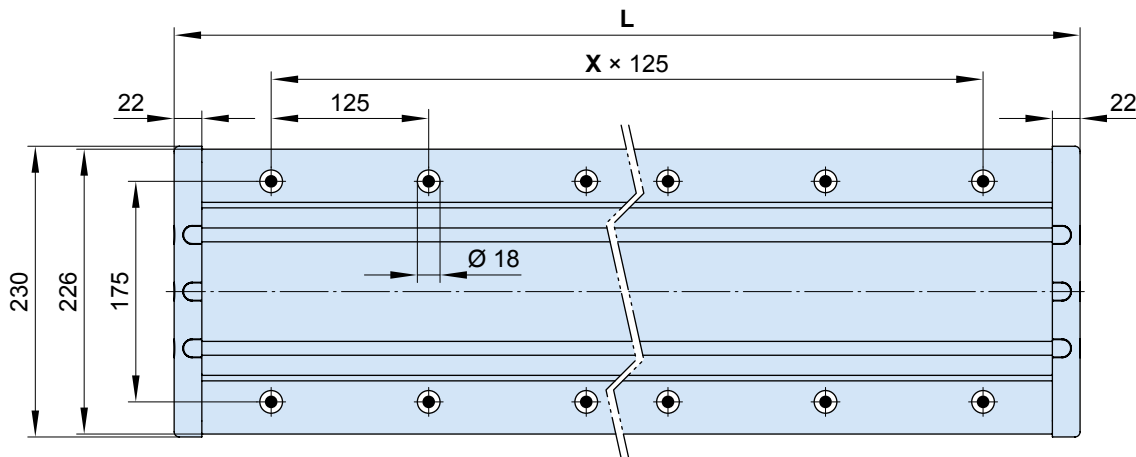
07 and

08 3 fillister head self-tap-  
ping screws

**76469. und 3 × 735611**

10

As a **continuous fixture profile**, the markilux panel will always be supplied to order on the basis of a technical drawing prepared in the factory in accordance with the awning specification.



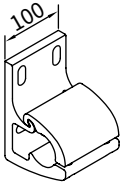
L = individual width, max. 7000 mm  
SD = coverboard

X = fixing point separation, **by way of example**

dimensions in mm

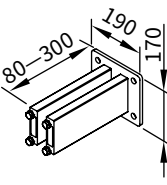
# Face fixture with stand-off bracket

Fixtures, fittings and accessories



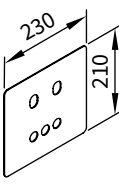
face fixture brackets  
100 mm

**70867.**



stand-off bracket  
for face fixture bracket  
70867.

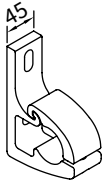
**77968.**



cover plate  
for spacer plate  
and stand-off brackets  
in the case of external  
insulation

230 × 210 × 2 mm

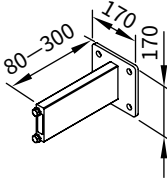
**71843.**



face fixture brackets  
for central fixture,  
depending on size

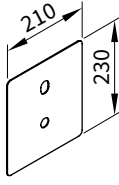
45 mm

**71813.**



stand-off bracket  
for face fixture bracket  
71813.

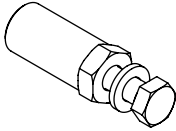
**77967.**



cover plate  
for spacer plate  
and stand-off brackets  
in the case of external  
insulation

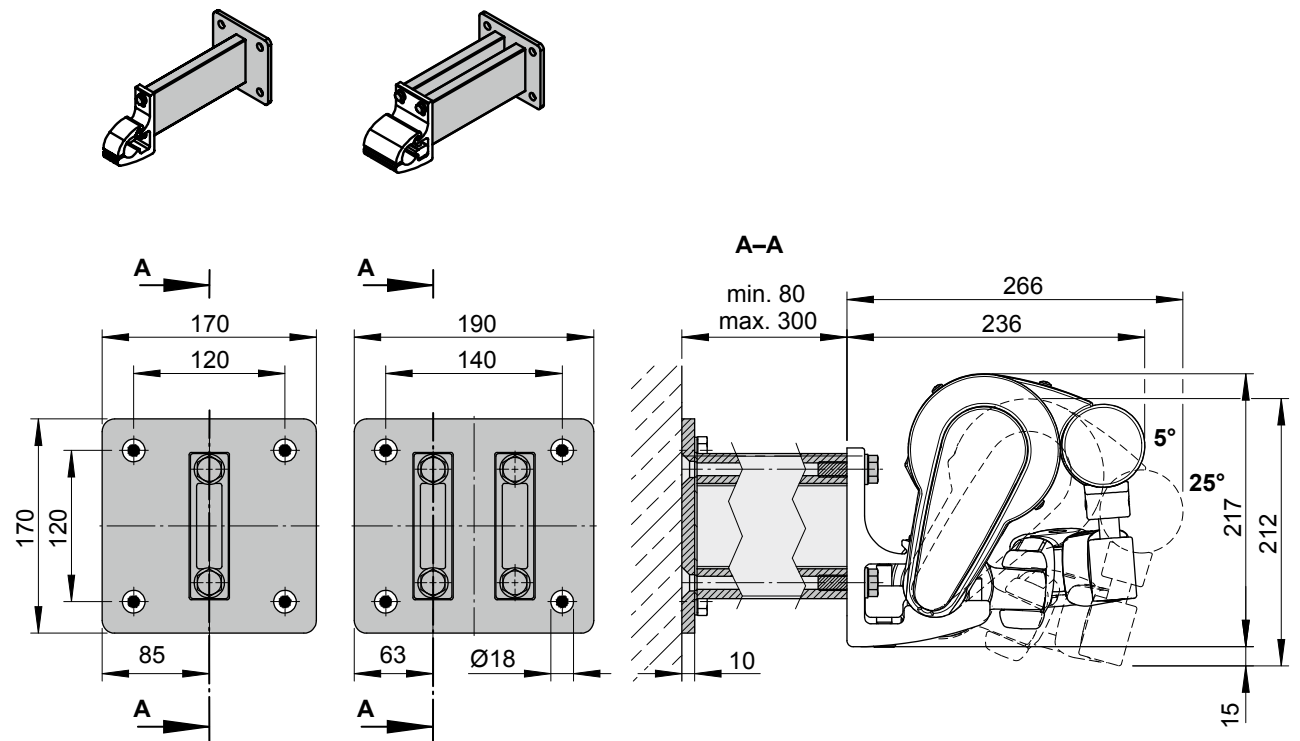
210 × 230 × 2 mm

**71844.**



bolt reduction assembly  
pack 10 pcs

M 16 → M 12 | M 16 → M 10 | M 12 → M 10 | M 10 → M 10

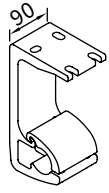


dimensions in mm



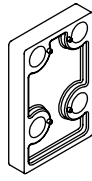
01 **Top fixture**

Fixtures, fittings and accessories



top fixture bracket  
90 mm

**70868.**



spacer plate for  
top fixture  
90 × 140 × 20 mm

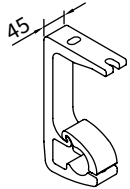
**N.B!**  
stack to a max. height of  
200 mm

**716311**



spacer plate for  
top fixture  
90 × 140 × 12 mm

**716411**



additional top fixture  
bracket in the case of 3  
folding arms

**71818.**



spacer plate for  
top fixture  
45 × 140 × 20 mm

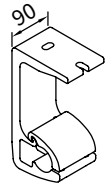
**N.B!**  
stack to a max. height of  
200 mm

**716261**



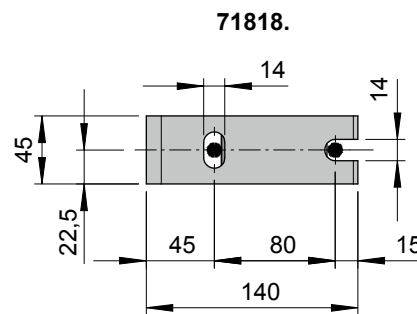
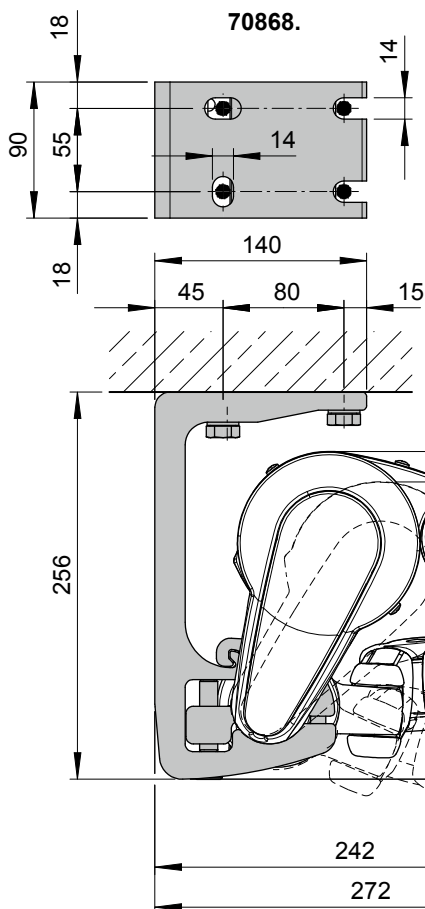
spacer plate for  
top fixture  
45 × 140 × 12 mm

**716371**



top fixture bracket  
for central fixture  
**N.B!**  
The pull-out forces are  
double those of top fixture  
bracket 70868.

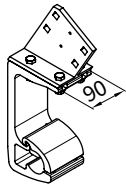
**70869.**



dimensions in mm

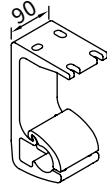
# Eaves fixture

## Fixtures, fittings and accessories



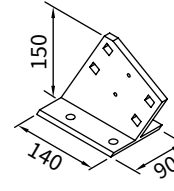
eaves fixture bracket  
complete set  
height of flat  
plate: 150 mm  
90 mm

**70871.**



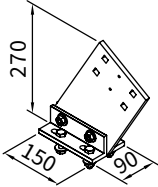
top fixture bracket  
90 mm

**70868.**



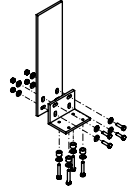
eaves fixture bracket  
150 mm plate

**71612.**



eaves fixture bracket  
270 mm plate  
please refer to "Eaves  
fixture with spreader /  
backing plate"

**71659.**



flat plate and angled  
bracket for eaves fixture  
machine finish

**716620**

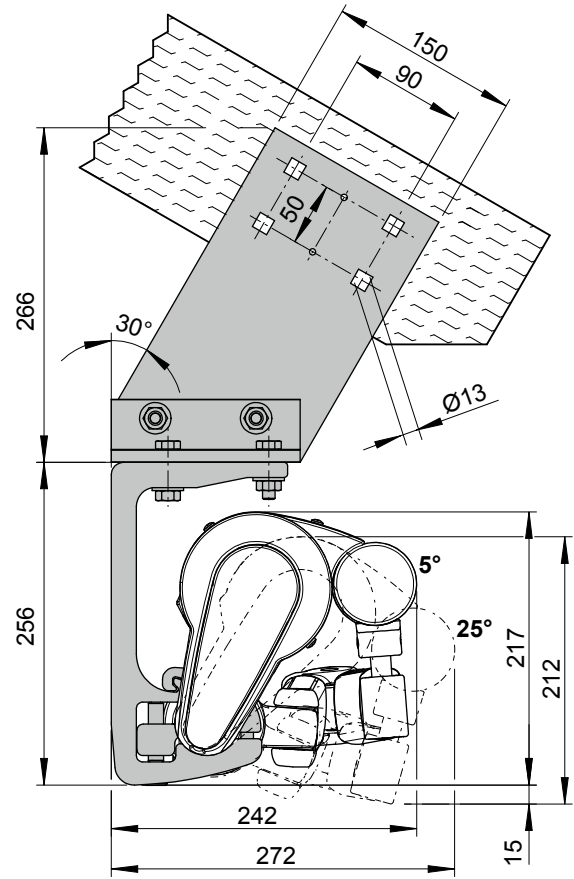
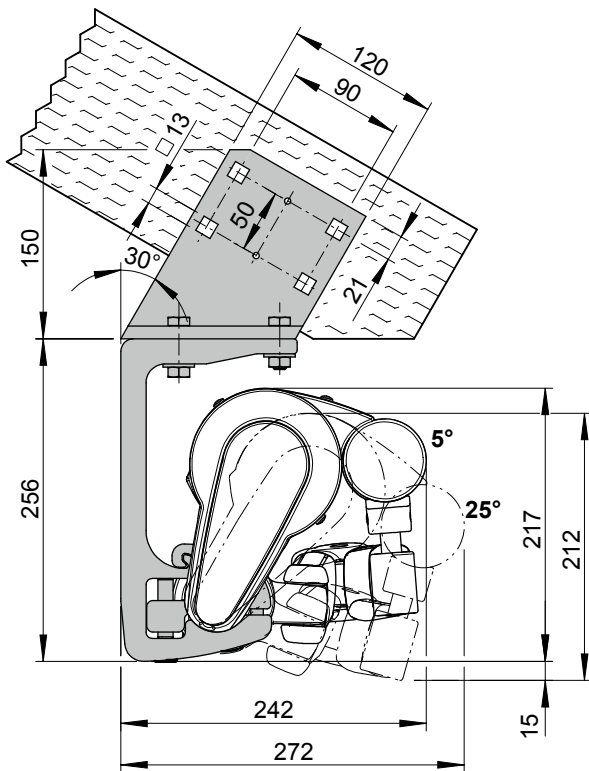
01  
02  
03  
04  
05  
06  
07  
08  
09

**10**

11  
12  
13  
14  
15  
16  
17

With eaves fixture bracket, 150 mm (71612.)

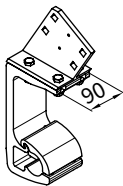
With eaves fixture bracket, 270 mm (71659.)



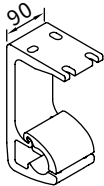
dimensions in mm

01 **Eaves fixture with additional plate**

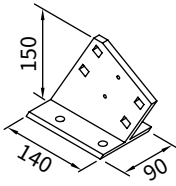
02 Fixtures, fittings and accessories

03  eaves fixture bracket  
complete set  
height of flat plate: 150 mm  
90 mm

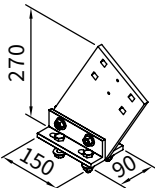
05 **70871.**

03  top fixture bracket  
90 mm

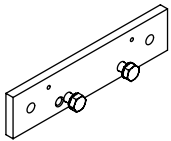
05 **70868.**

03  eaves fixture bracket  
150 mm plate

05 **71612.**

06  eaves fixture bracket  
270 mm plate  
please refer to "Eaves fixture with spreader / backing plate"

08 **71659.**

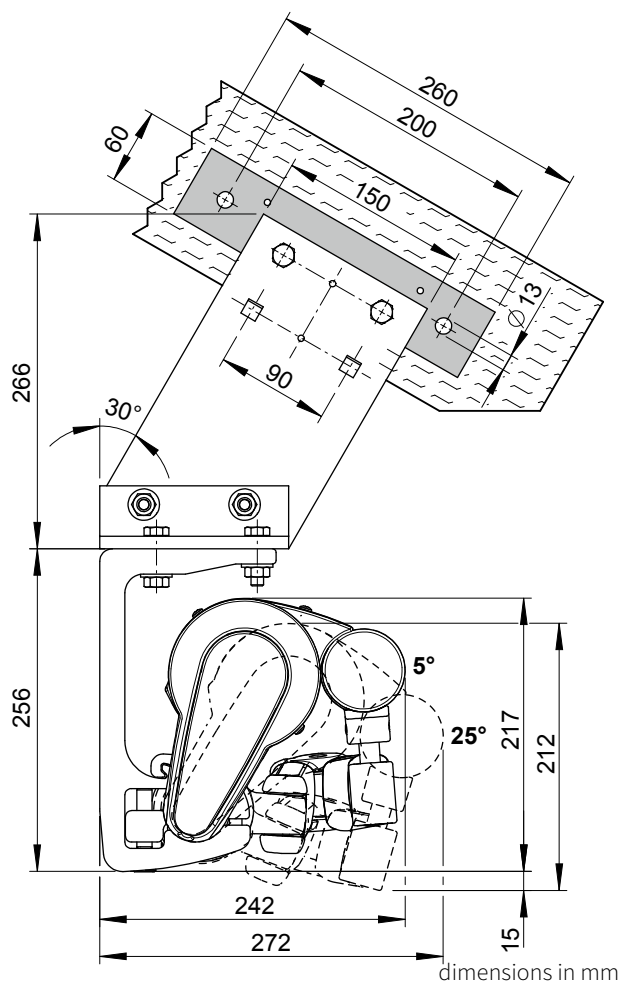
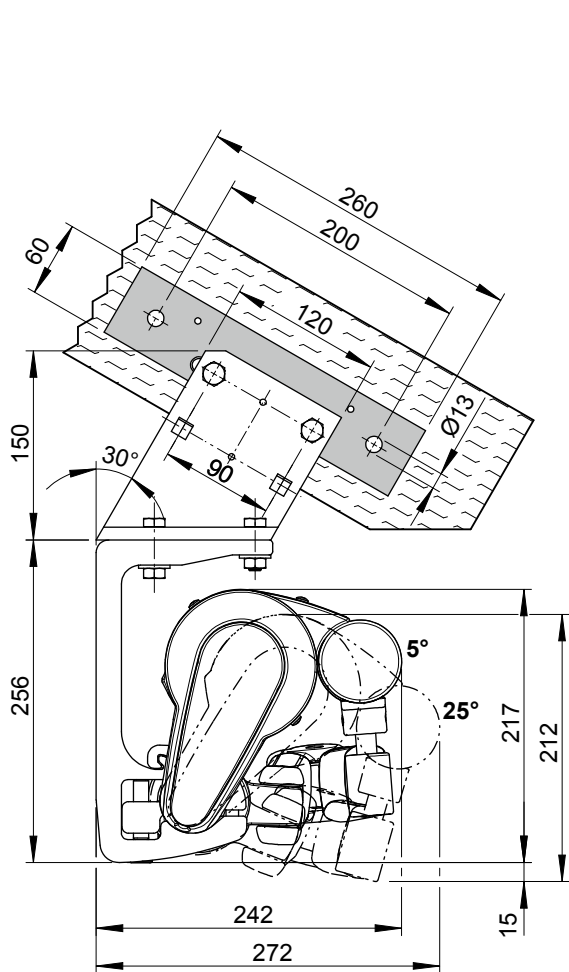
06  supplementary flat plate  
eaves fixture  
260 × 60 × 12 mm  
please refer to "Eaves fixture with spreader / backing plate"

08 **75383.**

10

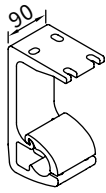
11 With eaves fixture bracket, 150 mm plate (71612.)

12 With eaves fixture bracket, 270 mm plate (71659.)



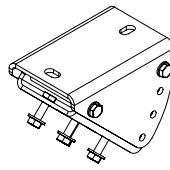
# Eaves fixture with adjustable eaves fixture bracket

Fixtures, fittings and accessories



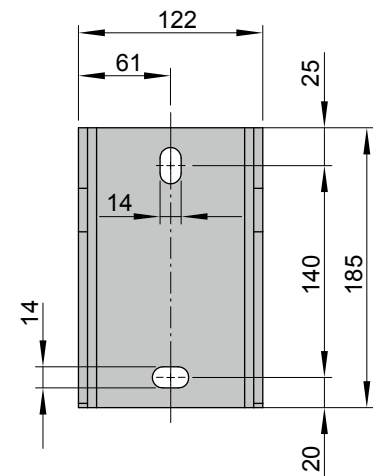
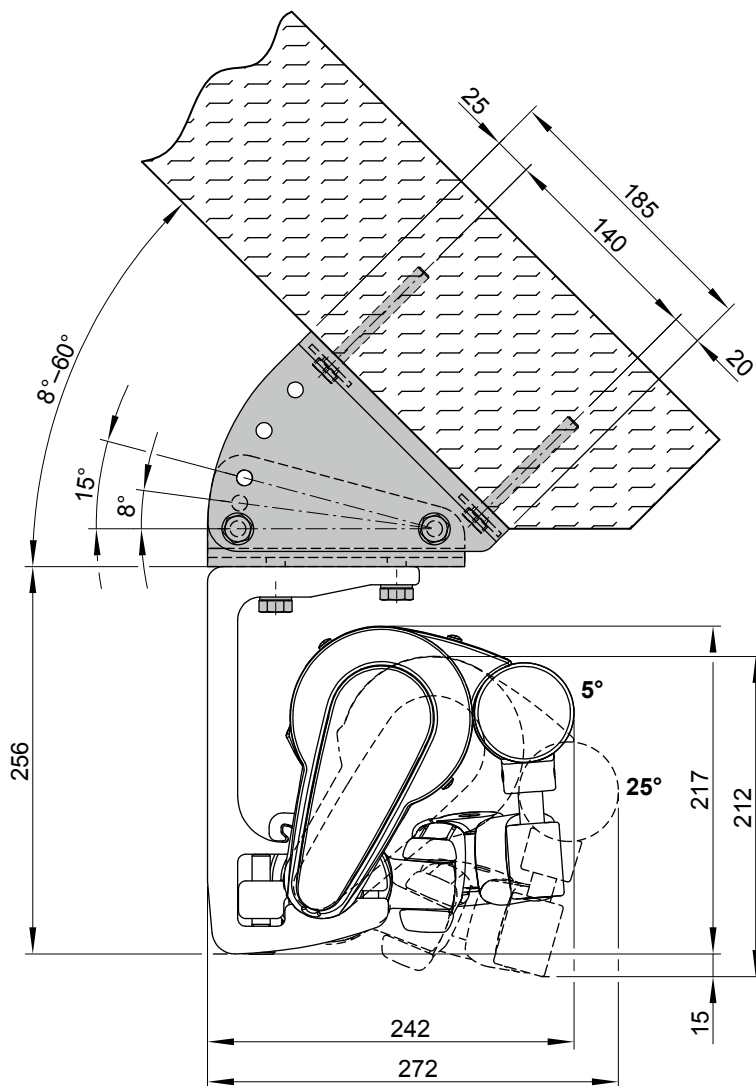
top fixture bracket  
90 mm

70868.



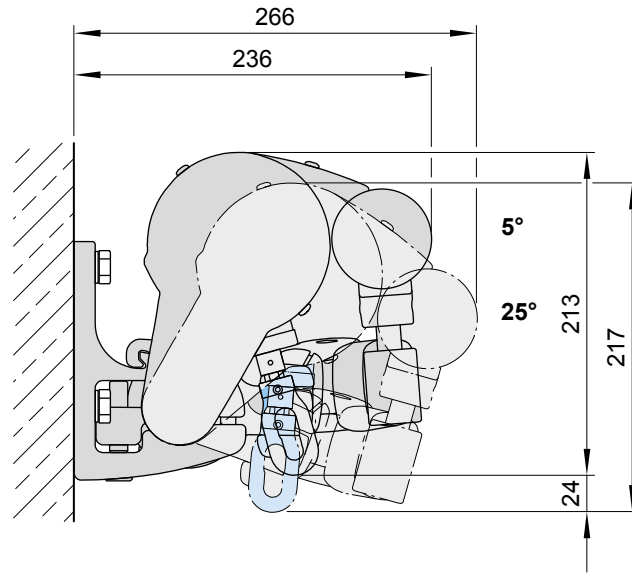
adjustable eaves fixture bracket

71198.



dimensions in mm

01 Face fixture, manual gearbox operation, dimensions at pitches between 5°-25°



10

11

12

13

14

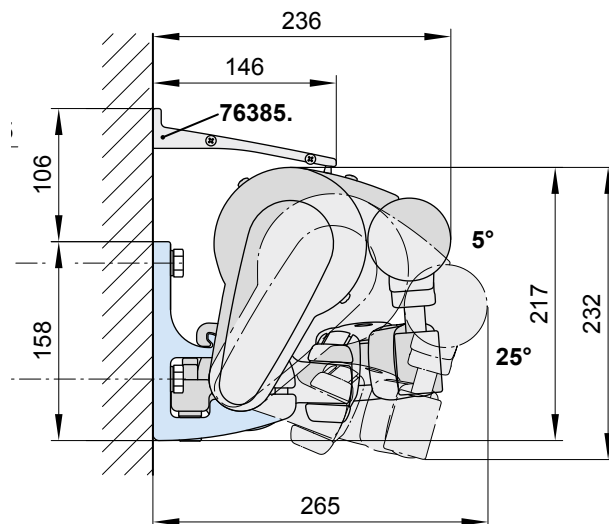
Face fixture with wall sealing profile, max. pitch 15°

15

16

17

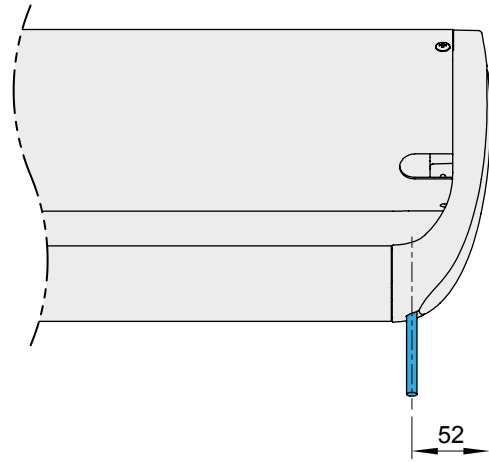
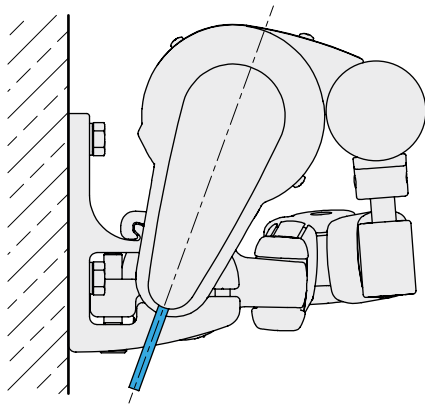
pitch (W)	approx. height in mm (X)
5°	106
10°	102
15°	99
20°	96
25°	90



76385. = wall sealing profile (standard width = awning width (M); up to a maximum awning pitch of 25°)

dimensions in mm

### Motor cable exit point



01

02

03

04

05

06

07

08

09

**10**

11

12

13

14

15

16

17

dimensions in mm

01

02

03

04

05

06

07

08

09

**10**

11

12

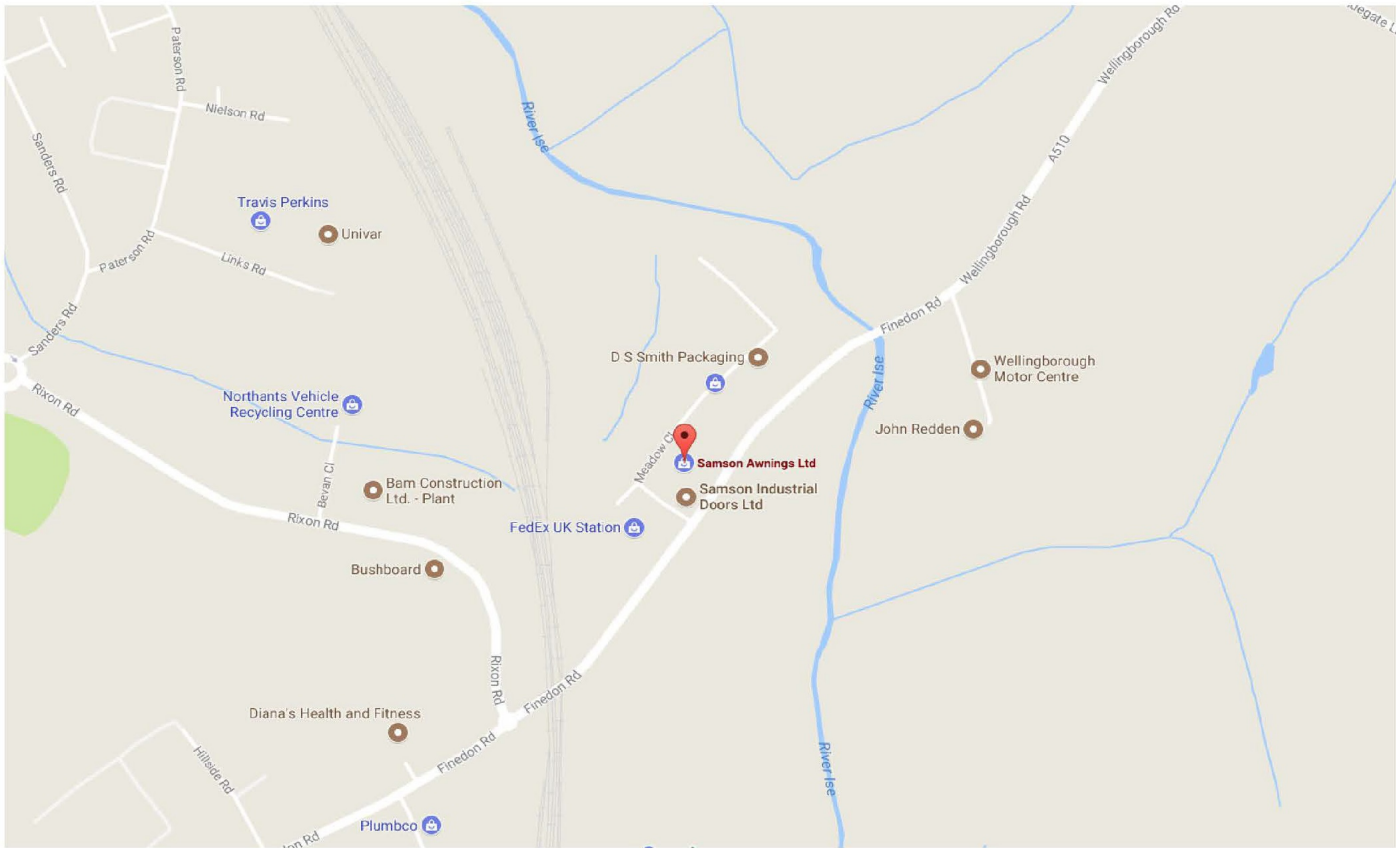
13

14

15

16

17



## Nationwide delivery and installation service

**6-8 MEADOW CLOSE  
ISE VALLEY INDUSTRIAL ESTATE  
FINEDON ROAD  
WELLINGBOROUGH  
NN8 4BH**

**EMAIL: ENQUIRIES@SAMSONAWNINGS.CO.UK  
TELEPHONE: (01933) 448844  
MON - FRI 8:30AM - 5:30PM**

