

# **Markilux 790 Technical Brochure**



**EMAIL: [ENQUIRIES@SAMSONAWNINGS.CO.UK](mailto:ENQUIRIES@SAMSONAWNINGS.CO.UK)  
TELEPHONE: (01933) 448844  
MON - FRI 8:30AM - 5:30PM**



Side screen

## markilux 790

Ideal, lateral protection against low-lying sun, light wind and inquisitive glances.

01 **Product properties**

02  
03  
04  
05  
06  
07  
08  
09  
10  
11



12 **1** face fixture bracket for the front profile with angle for lateral fixture <sup>1)</sup>



13 **1** docking post with welded-on base plate



14 **2** sleeve assembly for insertion in the ground

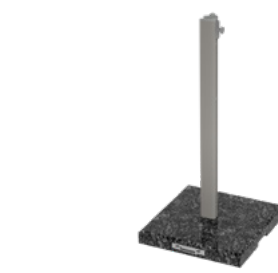


**16**

15 **2** safety mechanism for the handle fitted to the docking post



16 **1** mobilfix: docking post fitted to a granite baseplate <sup>1)</sup>



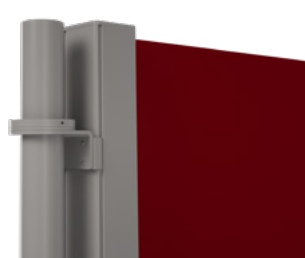
17 **2** docking bracket for front profile fitted to a railing



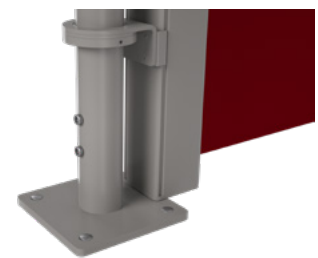
**1** docking bracket for front profile fitted to a free-standing post or markilux pergola / pergola compact



**1** detail at the top: pivoting option to fit the cassette to a free-standing markilux pergola / pergola compact post <sup>1)</sup>



**1** detail at the bottom: pivoting option to fit the cassette to free-standing markilux pergola / pergola compact post <sup>1)</sup>



1) optional configuration

## Product properties

### Description

- the discretely shaped side screen giving allround protection to the cover thanks to the satisfactory, square cassette.

### Special features

- the height of the grip on the front profile can be adjusted to the exact conditions on site – so that the front profile can be locked in position and the cover tension adjusted without a problem
- the pre-set tension in the spring mechanism can be adjusted on site to comply with the wishes of the customer
- The screen cover can be cut diagonally to order, in which case the front profile will be correspondingly shorter – giving perfect protection in combination with a markilux folding-arm awning or markilux pergola / pergola compact
- intermediate screen heights and a good choice of fixture options are available – to make them employable on a patio, a balcony or even free standing
- docking post for the front profile with integrated safety lock for the grip to prevent it being released inadvertently

### Dimensions

- awning in the standard version 173 cm / 213 cm / 250 cm in height
- extension: 200–450 cm (depending on the screen height and fabric pattern)
- intermediate sizes are available

### Roller tube and lateral bearings

- round roller tube Ø 63 mm with keyway, galvanised steel, with integrated, maintenance-free spring mechanism providing optimum cover tension
- the roller tube bearing is made of machine finished, rolled aluminium

### Awning profiles

- Extruded aluminium, in façade quality, powder coated
- cassette profile in one piece, 95 mm × 95 mm
- circular front profile Ø 32 mm

### Side caps

- end caps are made of high-quality plastic, dyed through or powder coated – at the spring end they are aluminium, powder coated
- the front profile end caps are made of high-quality plastic, dyed through in grey

### Fixture brackets

- cassette brackets for face or reveal fixture, fixture to a post (free standing or to the post of the markilux pergola / pergola compact / markilux syncra)
- brackets for the front profile: face fixture, docking post with ground sleeve / base plate for bolting down, mobilfix (mobile docking post on a base plate), brackets for fixture to a (balcony) railing
- grip for front profile made of high-quality plastic, dyed through in grey
- adapter sets for fixture to Krinner screw-in foundations

01 **Frame colours**

markilux awning colours without surcharge

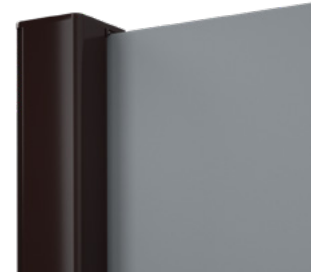
02

traffic white RAL 9016

metallic aluminium RAL 9006

grey brown, similar to RAL 8019

03



04

05

06

07

off-white textured finish, 5233 <sup>1)</sup>

stone grey metallic, 5215 <sup>1)</sup>

anthracite metallic, 5204 <sup>1)</sup>

08

09

10

11



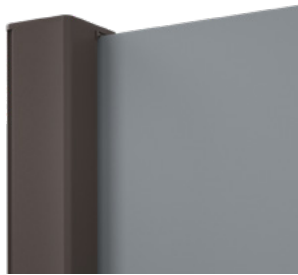
12

Havana brown textured finish, 5229 <sup>1)</sup>

13

14

15



**16**

17

**Non-standard powder-coated finish**

Bespoke frame colours at a surcharge – matt, metallic and pearl finishes as well as other colour ranges (DB, Tiger etc.) on request. All frame colours are available at a surcharge with enhanced corrosion protection.

**1)** textured finish

Colours may differ slightly from those depicted in both hue and finish.

## Dimensions and configuration options

Single unit

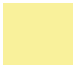


|                  |                   | Extension |     |     |     |                   |
|------------------|-------------------|-----------|-----|-----|-----|-------------------|
|                  |                   | 250       | 300 | 350 | 400 | 450 <sup>1)</sup> |
| Order dimensions |                   | 200       | 251 | 301 | 351 | 401               |
|                  |                   | 250       | 300 | 350 | 400 | 450               |
| GH               | 173 <sup>2)</sup> |           |     |     |     |                   |
|                  | 213               |           |     |     |     | —                 |
|                  | 250               |           |     |     |     | —                 |

dimensions in cm

1) = angled top edge not possible

2) = minimum height 90 cm

GH = overall height (cassette height + 30 mm)  
intermediate sizes are available at surcharge

|   |                               |
|---|-------------------------------|
|  | = cover height approx. 162 cm |
|  | = cover height approx. 202 cm |
|  | = cover height approx. 239 cm |

### Operation

|                         | standard | optional |
|-------------------------|----------|----------|
| manual extension        | ✓        | —        |
| cover exit to the right | ✓        | —        |
| cover exit to the left  | —        | ✓        |

| Awning cover      | fabric range no.              | standard | optional | overall height | extension   | tailored cloth |
|-------------------|-------------------------------|----------|----------|----------------|-------------|----------------|
| sunvas            | 301.. / 309..-315..           | ✓        | —        |                |             | SN             |
| sunsilk           | 324.. / 325.. / 328.. / 369.. | ✓        | —        |                |             | SN             |
| transolair        | 338..                         | —        | ✓        |                | ≤ 240       | N              |
|                   |                               |          |          |                | > 241       | SN             |
| vuscreen Alu      | 317..                         | —        | ✓        | ≤ 213          | ≤ 240       | N              |
|                   |                               |          |          | ≤ 213          | ≥ 241 ≤ 300 | SN             |
| perfotex          | 331.. / 332..                 | —        | —        |                |             |                |
| perla             | 370..                         | —        | —        |                |             |                |
| perla FR          | 374.. / 375..                 | —        | —        |                |             |                |
| Soltis Perform 92 | 92-20..                       | —        | —        |                |             |                |

dimensions in cm

N = Seamless

SN = vertical seam, panel width 120 cm

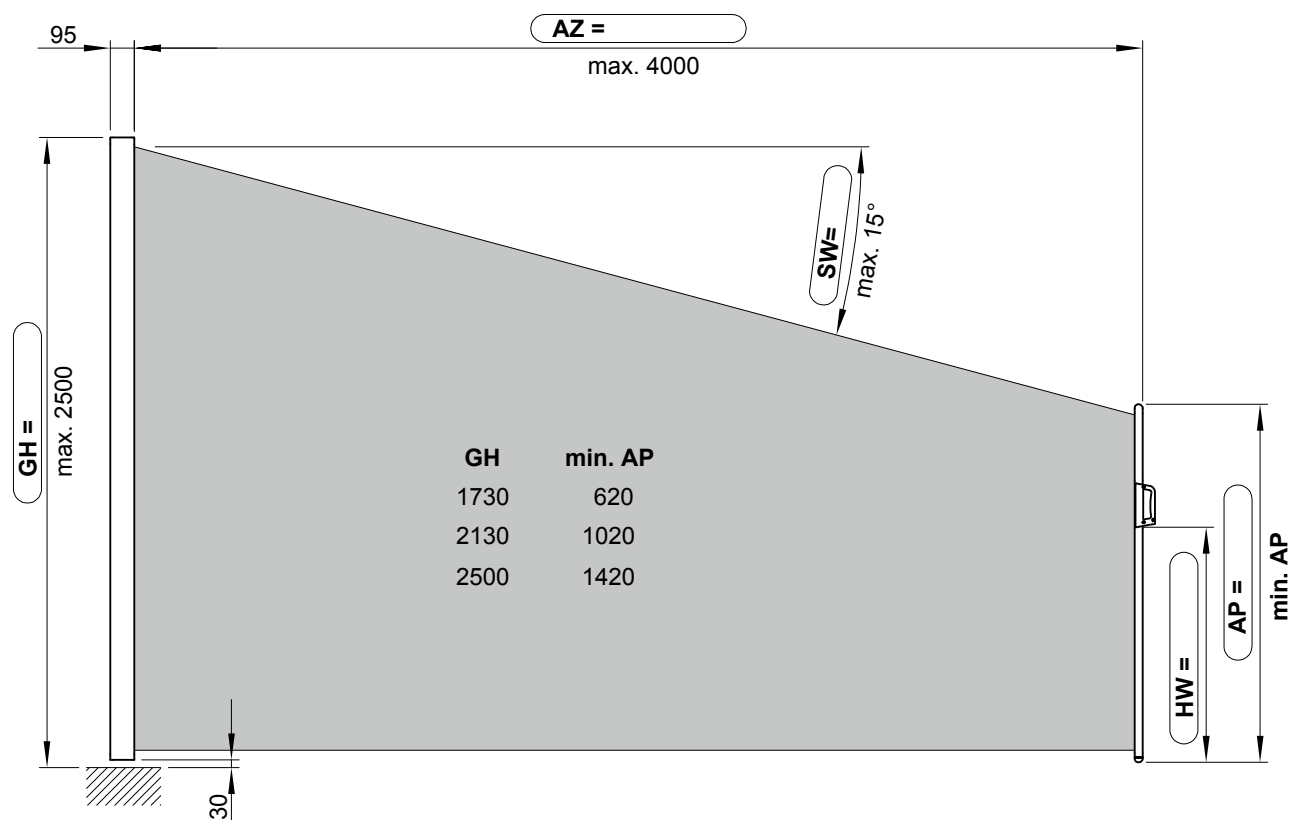


| 01 Fixture brackets |   |
|---------------------|---|
| 01                  | face fixture bracket 50 mm 78758.   |
| 02                  | wall docking option 77822.  |
| 03                  | docking bracket for front profile with clamp for fixture to a railing Ø 40–45 mm 77984. |
| 04                  | docking bracket for front profile with clamp for fixture to a railing Ø 45–50 mm 77985. |
| 05                  | docking post with welded footplate 950 mm 77820.  |
| 06                  | docking post with ground sleeve 950 mm 77821.   |

| Fixture brackets |   |
|------------------|---|
| 07               | cassette bracket for reveal fixture 50 mm 77845.                                      |
| 08               | angled bracket for lateral face fixture 175 × 60 × 60 mm 77987.                       |
| 09               | free-standing post 1730 mm–1830 mm Ø 70 mm with footplate for cassette fixture 71175. |
| 10               | brackets for fixture of the cassette to the markilux pergola / pergola compact 71174. |
| 11               | bracket for fixture of the front profile to a post Ø 70 mm 71136.                     |
| 12               | brackets for fixture of the cassette to a square post of the markilux syncra 72231.   |
| 13               | brackets for fixture of the cassette to a round post of the markilux syncra 72208.    |
| 14               | mobilfix granite including docking post 778211  |
| 15               | mobilfix concrete including docking post 76838.                                       |
| 16               | adapter set for post fixture to a Krinner screw-in foundation <sup>1)</sup>           |
| 17               | adapter set for front profile fixture to a Krinner screw-in foundation <sup>1)</sup>  |

## Dimension overview, cover with diagonally cut top edge

Please give the dimensions indicated when ordering

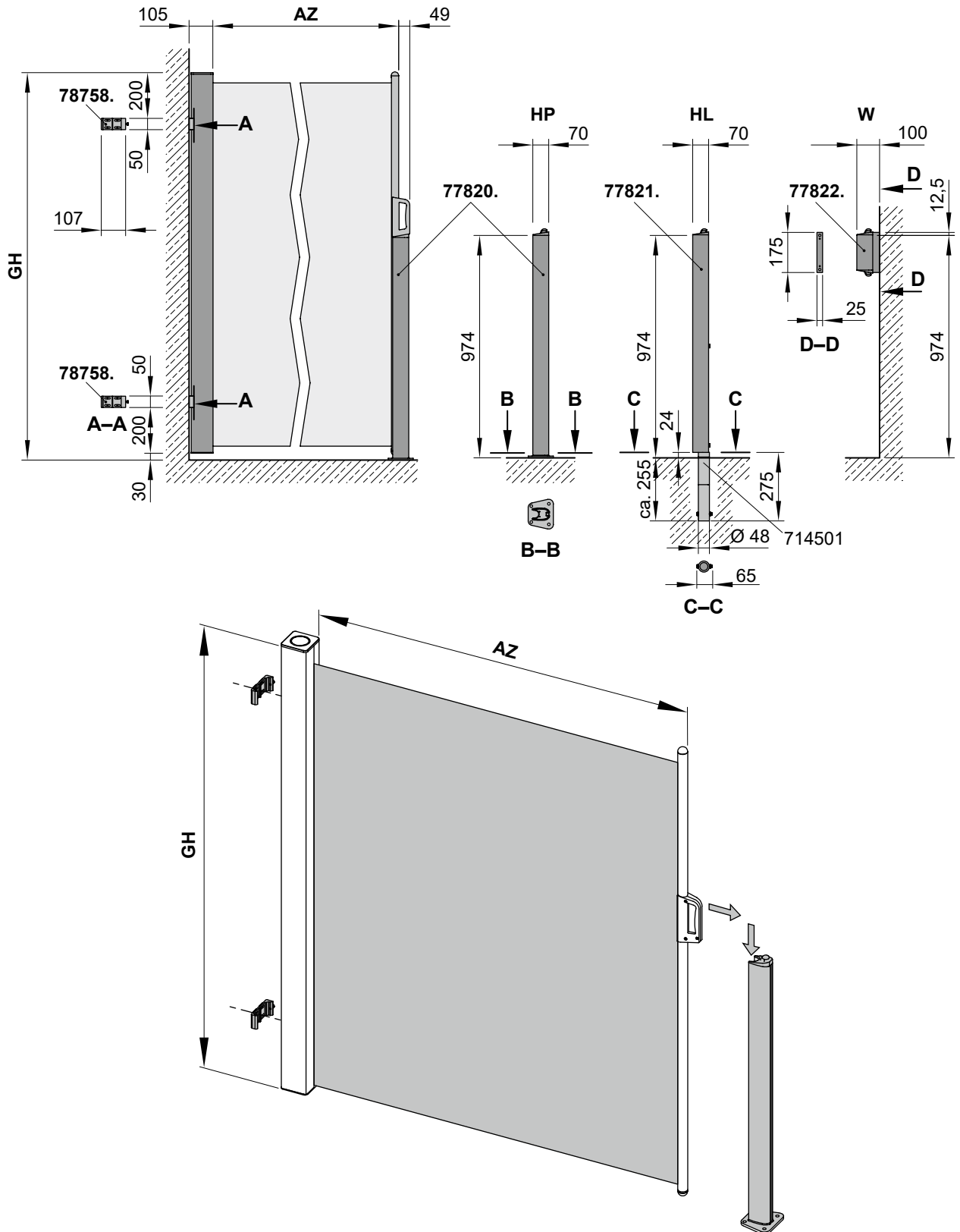


- 1) = for a detailed description see the separate markilux sales documentation “Krinner – the screw-in foundation”
- AP = height of the front profile
- AZ = order measurement = extension
- GH = order measurement = overall height side screen
- HW = height of the wall docking bracket
- SW = angle of the top edge of the cover

dimensions in mm

# Dimension overview, standard cover

Docking post with welded bottom plate, ground sleeve or face fixture bracket



01  
02  
03  
04  
05  
06  
07  
08  
09  
10  
11  
12  
13  
14  
15  
**16**  
17

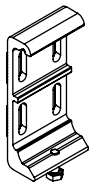
- AZ = order measurement = extension
- GH = order measurement = overall height side screen
- HL = sleeve assembly for insertion in the ground
- HP = docking post for fixture to solid surface
- W = face fixture

dimensions in mm



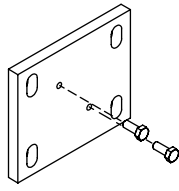
01 **Face fixture, face fixture bracket for the cassette**

02 Fixtures, fittings and accessories



Face fixture bracket  
50 mm

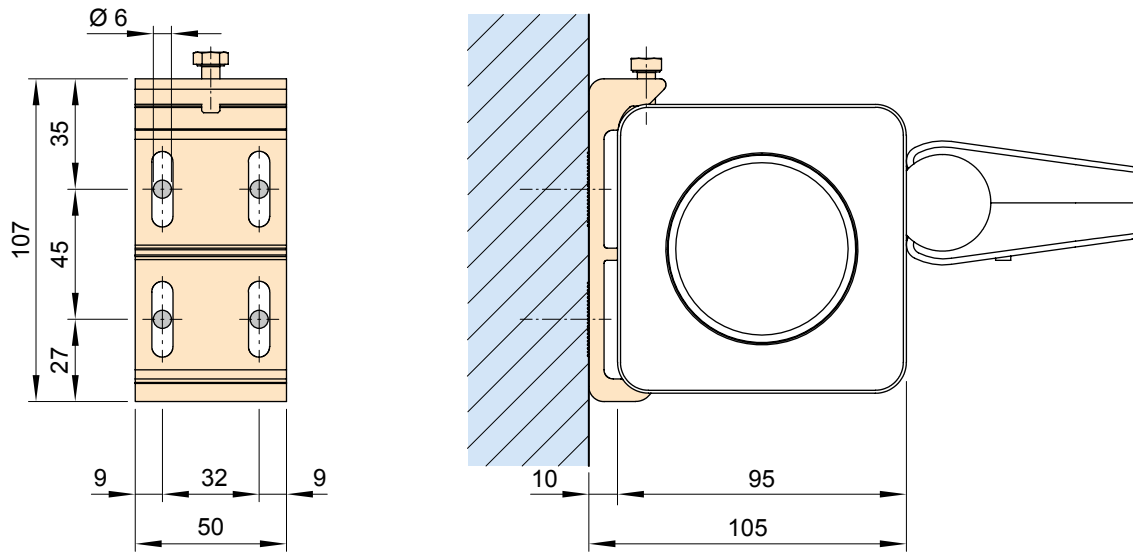
03 **78758.**



spreader plate  
120 × 100 × 10 mm

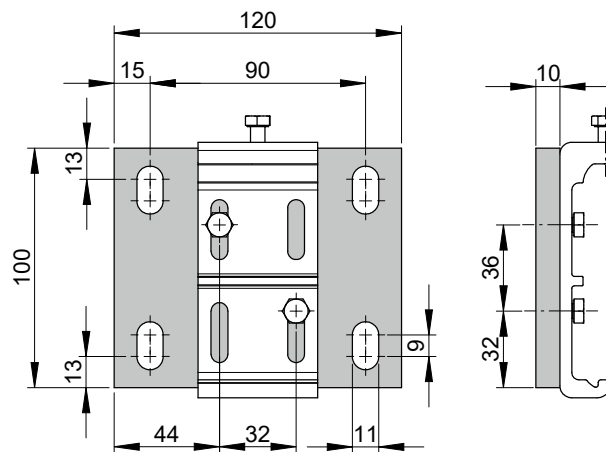
04 **78982.**

05 Cover exit to the right standard (see figure) – cover exit to the left optional



16

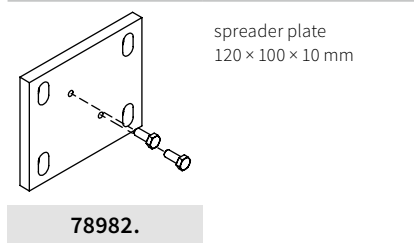
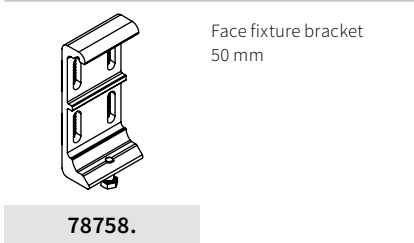
17 Spreader plate for universal bracket assembly



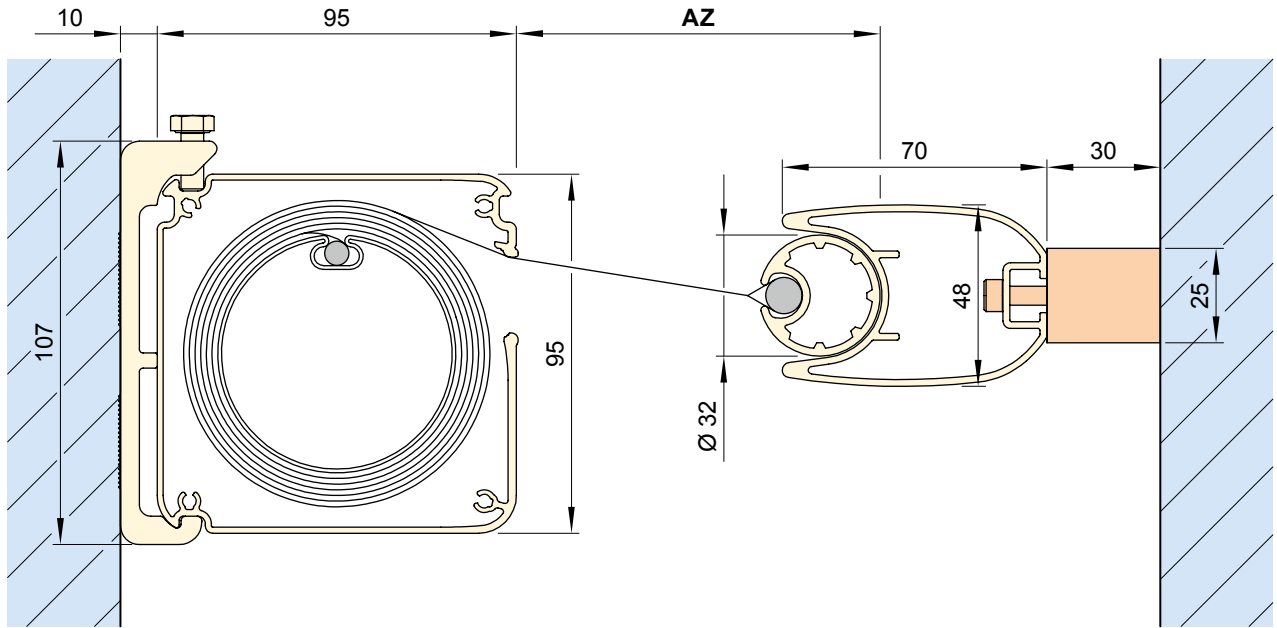
dimensions in mm

# Face fixture, face fixture bracket for the cassette

Fixtures, fittings and accessories



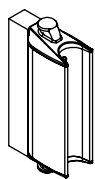
Cross section view with face fixture bracket for the front profile



01  
02  
03  
04  
05  
06  
07  
08  
09  
10  
11  
12  
13  
14  
15  
**16**  
17

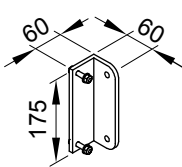
01 **Face fixture, face fixture bracket for the front profile**

02 Fixtures, fittings and accessories



Face fixture bracket for the front profile

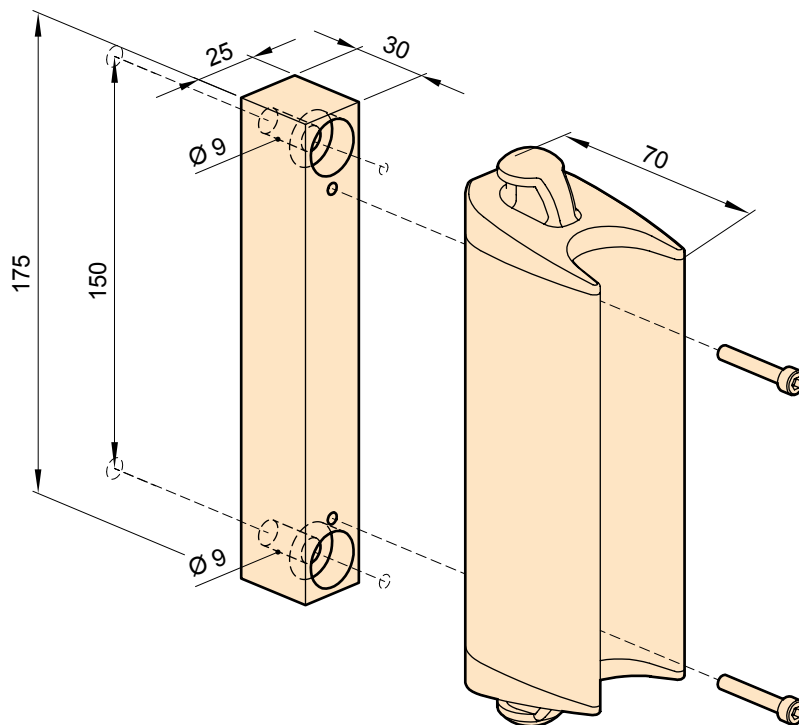
03 **77822.**



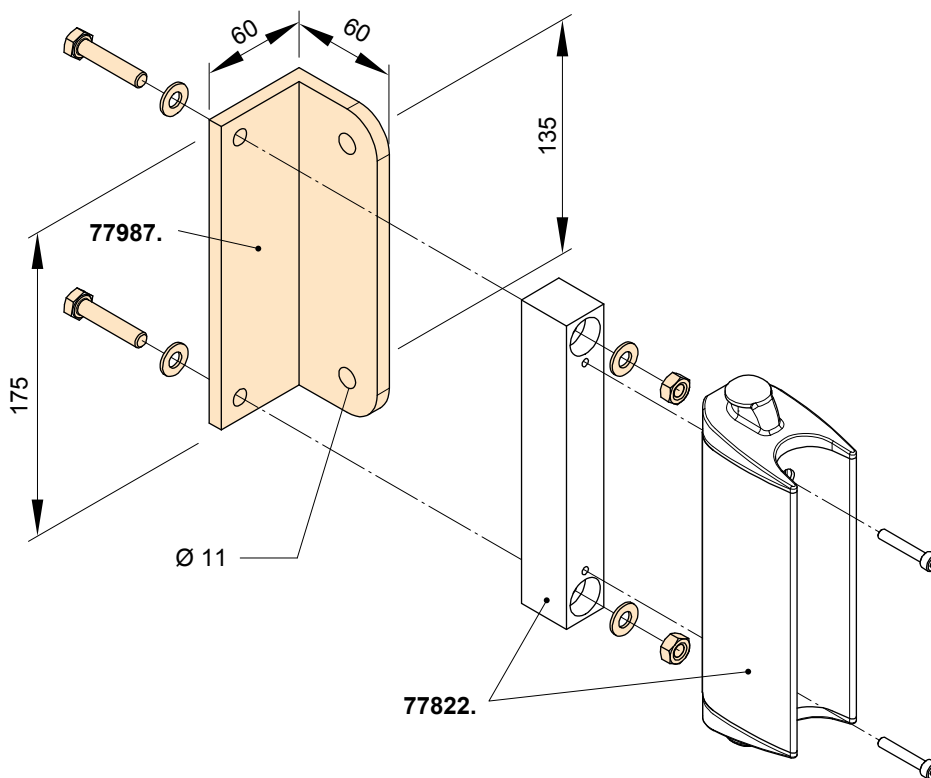
face fixture bracket assembly for the front profile 77987.

175 × 60 × 60 mm

04 **77987.**




16



dimensions in mm


# Docking post for front profile

Fixtures, fittings and accessories



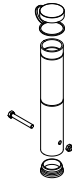
docking post assembly for the front profile with welded base plate

**77820.**



docking post assembly (for the front profile) for the ground sleeve

**77821.**



ground sleeve

**714501**

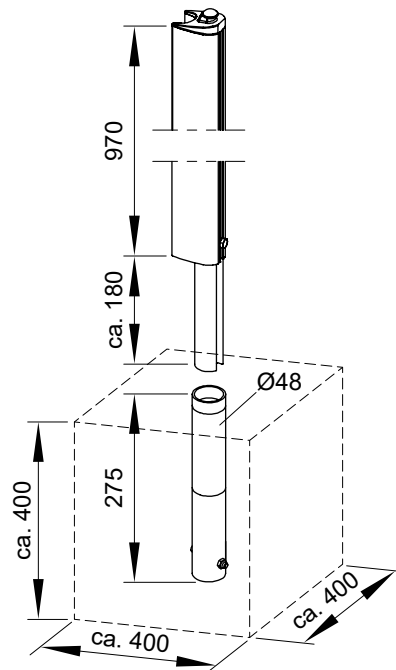
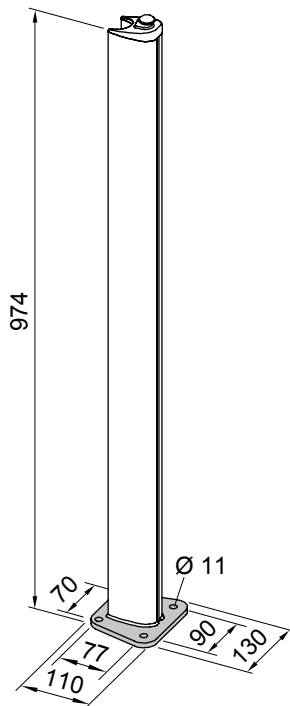


covering cap for ground sleeve

**702851**

With a footplate for fixture to a solid surface (77820.)

With connecting profile and ground sleeve (77821.)

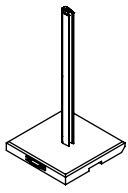


dimensions in mm

01  
02  
03  
04  
05  
06  
07  
08  
09  
10  
11  
12  
13  
14  
15  
**16**  
17

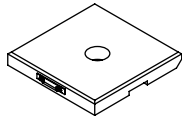
01 **mobilfix**

02 Fixtures, fittings and accessories



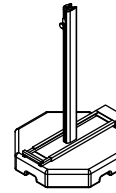
06 mobilfix:  
docking post mounted on  
a granite base plate 1)  
approx. 40 kg

07 **77821. | 778941 | 778931**



08 Additional granite  
slab for the mobilfix  
(recommended in light  
wind) approx. 39 kg

09 **779311**



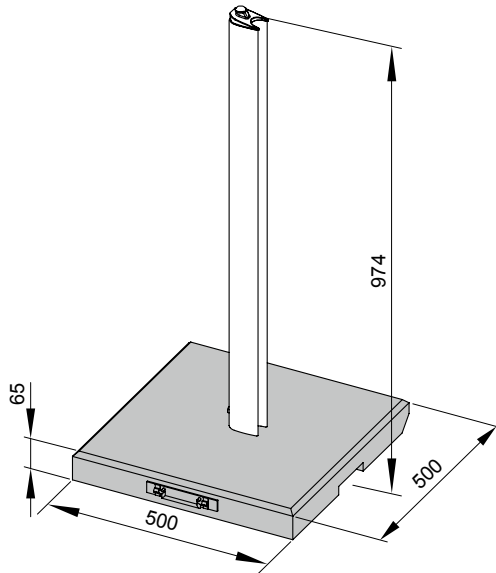
10 mobilfix 2:  
docking post mounted  
on a concrete base plate  
approx. 55 kg

11 **76838.**

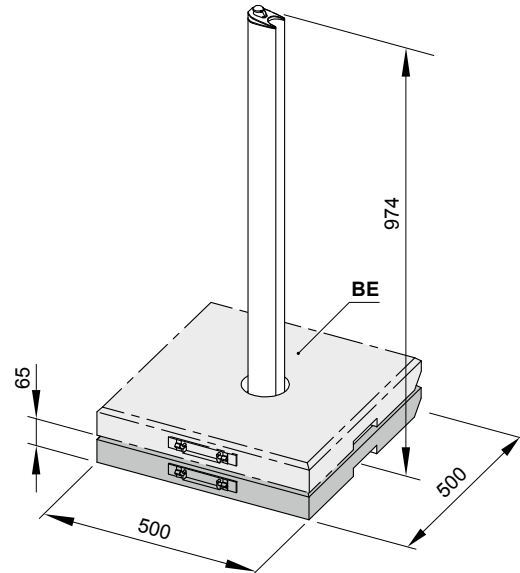
12 Granite is a natural stone and can vary in colour and structure.

13 **Note:** The markilux mobilfix is only to be used up to a maximum screen height of (GH) 213 cm.

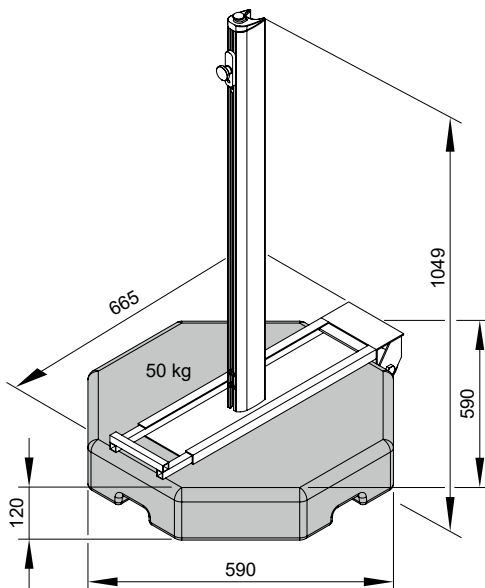
14 mobilfix



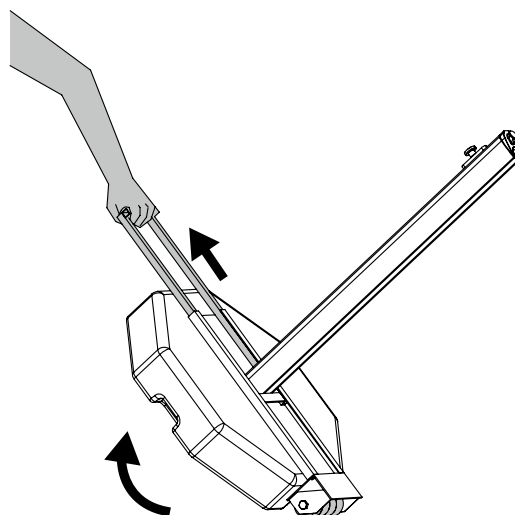
18 mobilefix with additional granite slab to weigh it down



19 mobilfix 2



20 transport function mobilfix 2

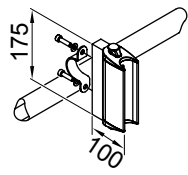


BE = additional granite slab to weigh it down (optional)

dimensions in mm

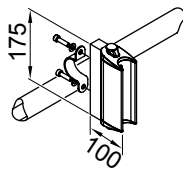
# Railing bracket assembly for front profile

Fixtures, fittings and accessories



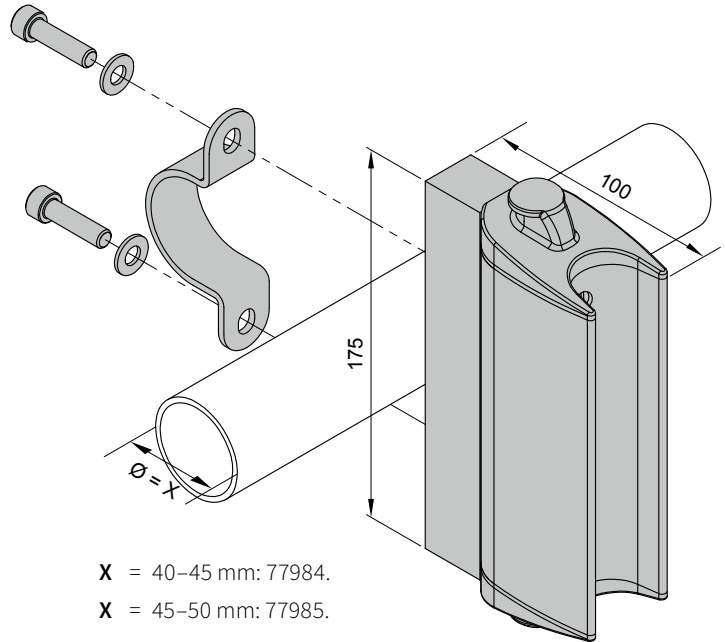
railing bracket assembly  
Ø 40-45 mm

77984.



railing bracket assembly  
Ø 45-50 mm

77985.



X = 40-45 mm: 77984.

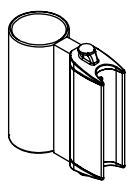
X = 45-50 mm: 77985.

- 01
- 02
- 03
- 04
- 05
- 06
- 07
- 08
- 09
- 10
- 11
- 12
- 13
- 14
- 15
- 16**
- 17

dimensions in mm

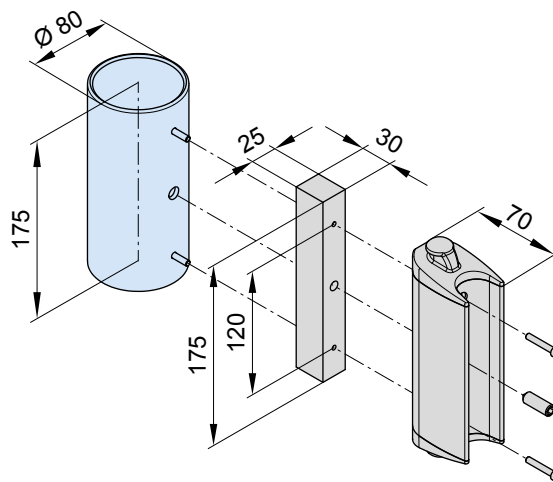
01 **Front profile fixture to a post**

02 Fixtures, fittings and accessories



face fixture bracket  
for the front profile  
for markilux pergola /  
pergola compact round

05 **71136.**

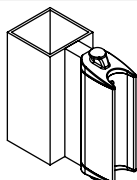


11

12

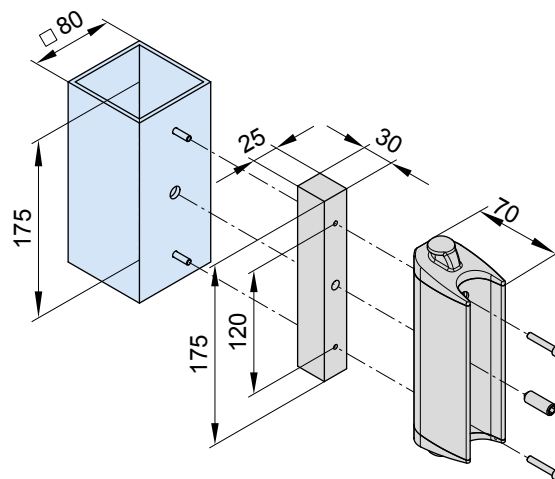
13

14 Fixtures, fittings and accessories



face fixture bracket  
for the front profile  
for markilux pergola /  
pergola compact square

17 **75279.**



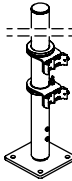
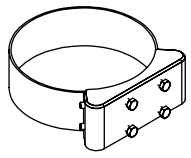
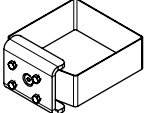
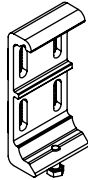


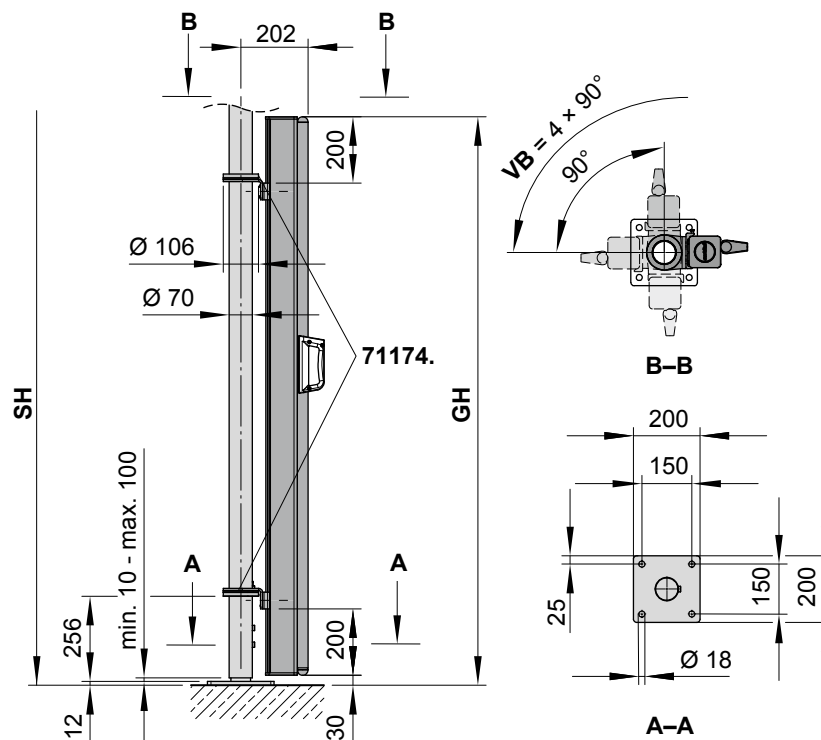
dimensions in mm



# Cassette fixture to a post

## Fixtures, fittings and accessories

|  |   |  |
|--|---|--|
|  <p>post with base plate</p> <p>overall height adjustable from approx. 1730 mm to 1830 mm, Ø 70 mm</p> <p><b>71172.</b></p>   |  <p>universal fixture bracket: for cassette fixture to the post of the markilux pergola / pergola compact, 2 pieces</p> <p>height approx. 80 mm Ø 70 mm</p> <p><b>71174.</b></p> |  <p>post 71172 including base plate 71174.; fixture assembly for universal bracket for cassette overall height adjustable</p> <p>overall height adjustable approx. 1730–1830 mm, Ø 70 mm</p> <p><b>71175.</b></p> |
|  <p>fixture assembly for universal fixture bracket 78758. to the post of the markilux syncra 2</p> <p>width 52 mm, for post fixture Ø 140 mm, round post</p> <p><b>72208.</b></p> |  <p>fixture assembly for universal fixture bracket 78758. to the post of the markilux syncra</p> <p>width 52 mm, for square post 125 × 125 mm</p> <p><b>72231.</b></p>           |  <p>face fixture bracket</p> <p>50 mm</p> <p><b>78758.</b></p>  |



GH = order extension = overall height

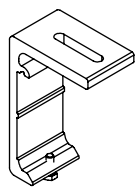
SH = support post height

VB = adjustment range (VB) of the fixture brackets with locking lever (4 × 90°)

dimensions in mm

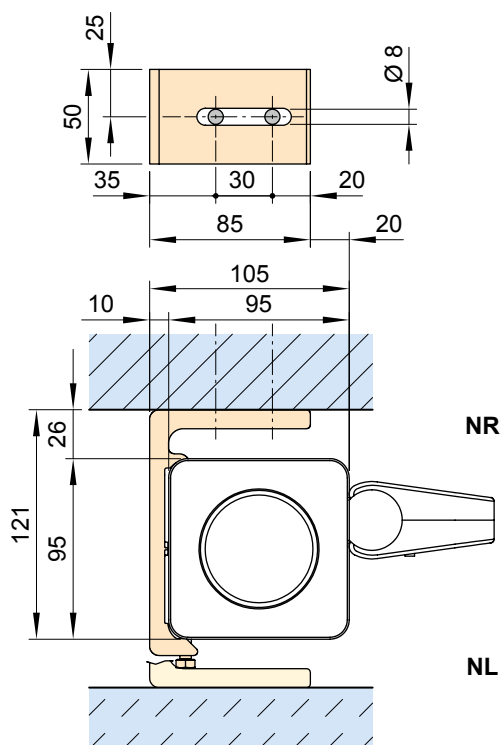
01 **Reveal fixture of the cassette**

02 Fixtures, fittings and accessories



03 reveal fixture bracket  
04 assembly  
05 50 mm

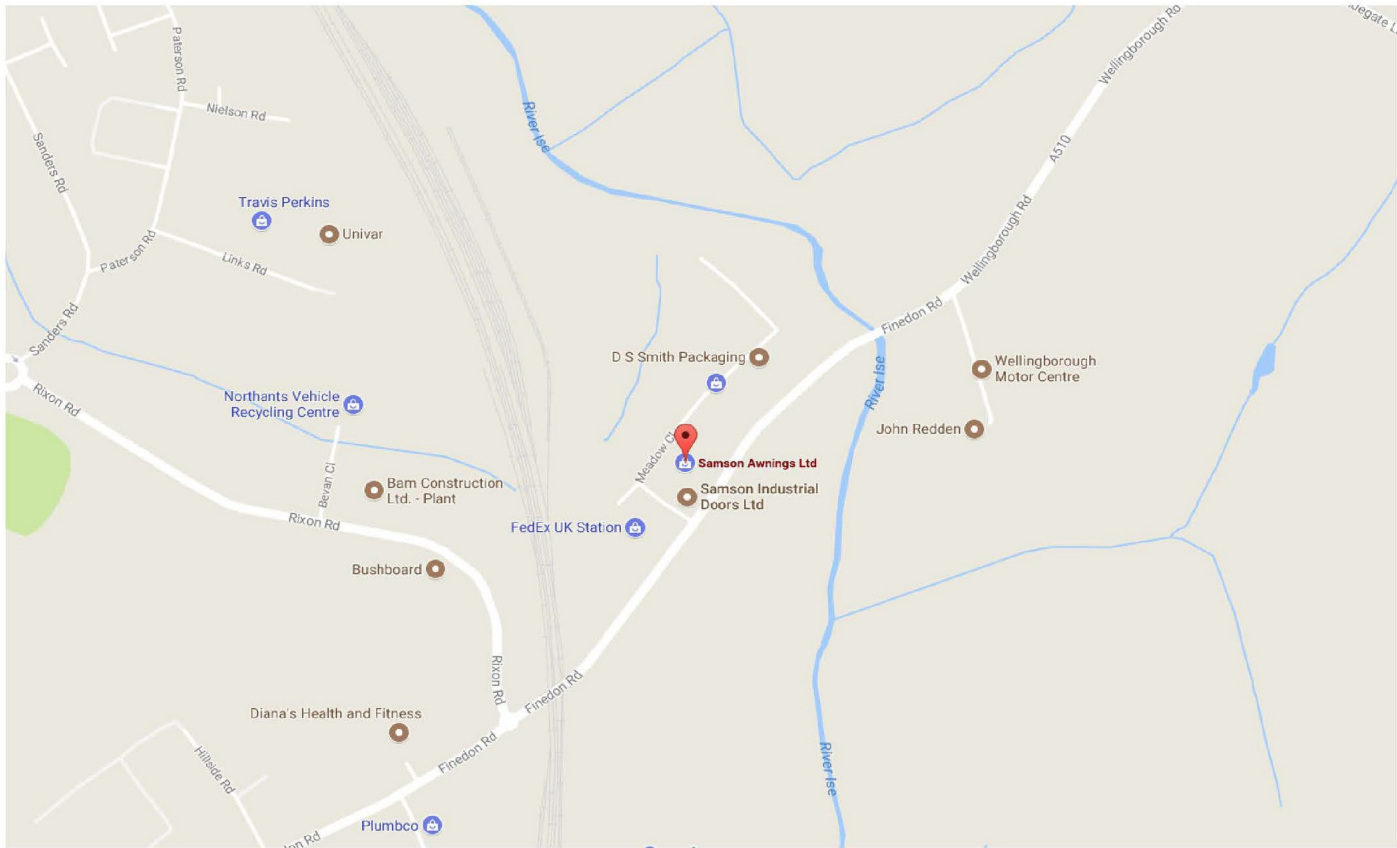
06 **77845.**



16

NR = reveal fixture right  
NL = reveal fixture left

dimensions in mm



## Nationwide delivery and installation service

**6-8 MEADOW CLOSE  
ISE VALLEY INDUSTRIAL ESTATE  
FINEDON ROAD  
WELLINGBOROUGH  
NN8 4BH**

**EMAIL: ENQUIRIES@SAMSONAWNINGS.CO.UK  
TELEPHONE: (01933) 448844  
MON - FRI 8:30AM - 5:30PM**

