

## May Rialto Installation Options



**EMAIL: [ENQUIRIES@SAMSONAWNINGS.CO.UK](mailto:ENQUIRIES@SAMSONAWNINGS.CO.UK)**  
**TELEPHONE: (01933) 448844**  
**MON - FRI 8:30AM - 5:30PM**

## RIALTO – mobile installation options

### Full frame pedestal without slabs

frame size 103 x 103 cm, total height 29 cm, height of frame x = 5 cm, weight approx. 27 kg, galvanized. For 2 sets of standard concrete slabs 50 x 50 x 5 cm.

art. no. **RZ111**



### Full frame pedestal without slabs

with 8 rubber diagonal support levelling screws, frame size 103 x 103 cm, total height min. 32 cm, max. 36 cm, weight approx. 28 kg, galvanized. For 2 sets of standard concrete slabs 50 x 50 x 5 cm.

art. no. **RZ112**



### Full frame pedestal on wheels

with rubber heavy-duty rollers and fixing brakes, frame size 103 x 103 cm, total height 36 cm, diameter of rollers 5 cm, weight approx. 28 kg, galvanized. For 2 sets of standard concrete slabs 50 x 50 x 5 cm.

Attention: wind sensitive!

art. no. **RZ114**



### Heavy-duty wheels Ø 15 cm

wheel diameter 15 cm, for uneven surfaces. Rubber, with fixing brakes, loading capacity 110 kg/wheel. Suitable for RZ414.

For orders with full frame pedestal

art. no. **351498**

For retrofitting

art. no. **351499**

**Full frame pedestal on feet**

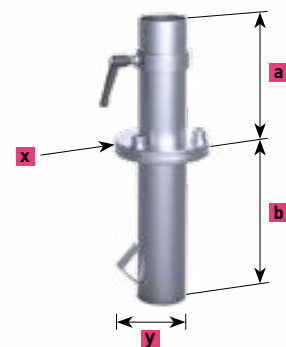
for forklift or lift truck transport, frame size 103 x 103 cm,  
foot height  $y = 10$  cm, galvanized, weight approx. 30 kg.  
For 2 sets of standard concrete slabs 50 x 50 x 5 cm.

art. no. **RZ116****Concrete slabs**

1 set = 4 slabs, each 50 x 50 x 5 cm, weight per slab: approx. 28 kg,  
total weight approx. 112 kg.

art. no. **XZ50****RIALTO –  
stationary installation options****Anchor tube to be embedded in concrete**

2 pieces, screw-off upper part, for single and double-shade RIALTO,  
galvanized, weight approx. 9 kg, incl. top plate for winter protection.  
 $a = 22$  cm,  $b = 29$  cm,  $x = \text{Ø } 17$  cm,  $y = 16$  cm

art. no. **RZ118**

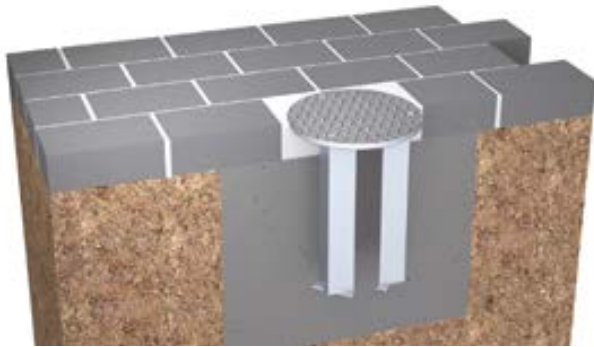
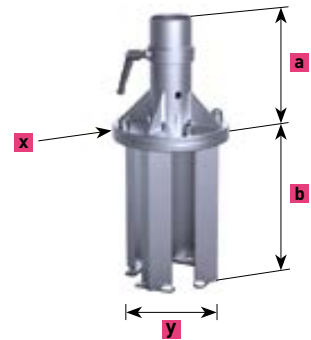
## RIALTO – stationary installation options

### Anchor foot to be embedded in concrete

2 pieces, screw-off upper part, for triple-shade and quad-shade RIALTO, galvanized, weight approx. 17 kg, incl. top plate for winter protection.

a = 23 cm, b = 32 cm, x = Ø 24 cm, y = 21 cm

art. no. **RZ121**



### Dowel-anchored plate

galvanized, weight approx. 25 kg.

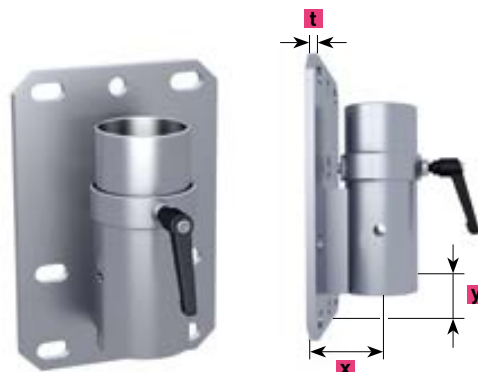
a = 25 cm, x = □ 50 cm, t = 1.2 cm, z = Ø 1.8 cm

art. no. **RZ123**



**Wall bracket**

galvanized, weight approx. 7 kg, wall plate 30 x 20 cm, x = 7.2 cm, t = 1 cm. Bottom of support pole rests on bottom end of anchor tube. When ordering, please state installation height, i.e. distance from ground surface to bottom end of support mast. Otherwise it may become necessary to shorten the mast.

art. no. **RZ125****Wall pressure plate**

fits for RZ125, galvanized; 30 x 20 cm; to be clamped onto the existing bars (only possible if these are very strong), bore holes for M16 stud bolts (not included in the delivery).

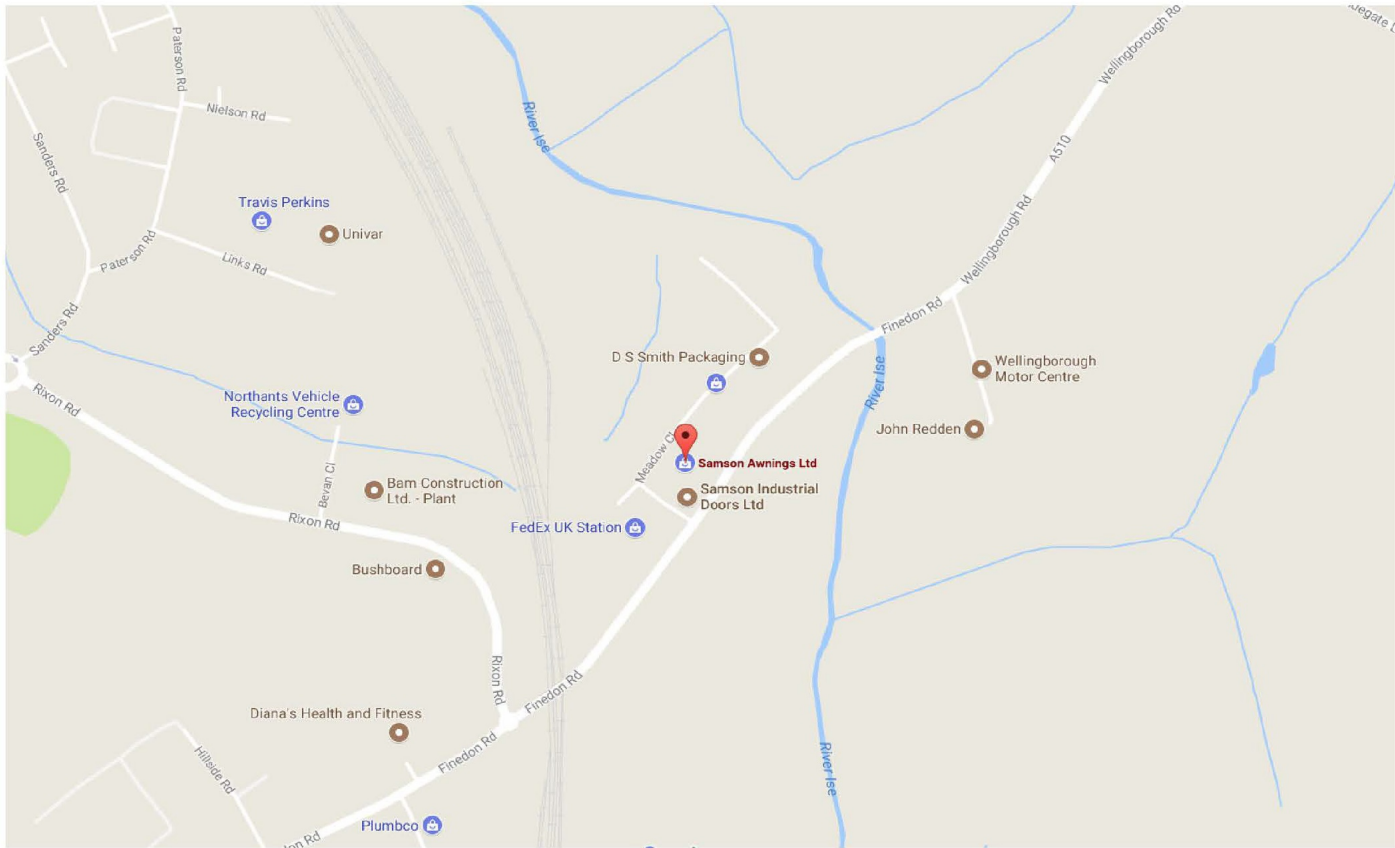
art. no. **352579****RZ125 in combination  
with 352579****Wall mount for strain relief**

to complement wall bracket RZ125, to be mounted with heavy-duty dowels at chest height.

art. no. **RZ301****Anchor bolt**

bolt and nut, fits for RZ123 and RZ125; approved for cracked and non-cracked concrete B25 to B55 (old compressive strength classes) C20/25 to C50/60 (new EU classification), also suitable for concrete B15 = C12/15 and natural stone with dense structure. Concrete bore hole  $\varnothing$  16 x 115 mm. in stainless steel A4 1.4529. Package contains 4 bolts. European Technical Approval ETA-05/0069.

art. no. **200900**



## Nationwide delivery and installation service

**6-8 MEADOW CLOSE  
ISE VALLEY INDUSTRIAL ESTATE  
FINEDON ROAD  
WELLINGBOROUGH  
NN8 4BH**

**EMAIL: ENQUIRIES@SAMSONAWNINGS.CO.UK  
TELEPHONE: (01933) 448844  
MON - FRI 8:30AM - 5:30PM**

