

## SCHATTELLO – mobile installation options, british version

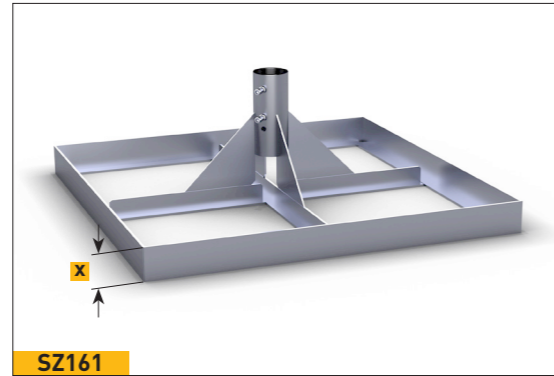
### Full frame pedestals for 2 sets of concrete slabs

#### Full frame pedestal

frame size 94 x 94 cm, total height 35 cm, height of frame x = 8 cm, galvanized, weight approx. 32 kg. For 2 sets of concrete slabs 45 x 45 x 5 cm.

(same price as SZ411)

art. no. **SZ161**

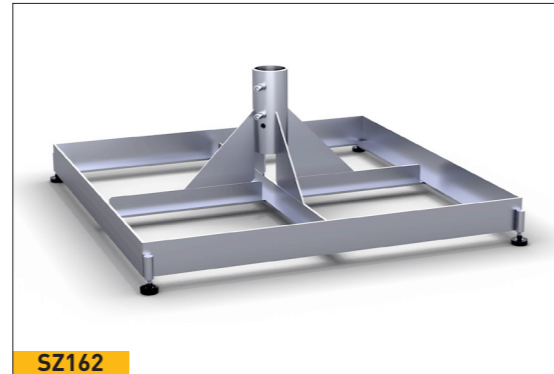


#### Full frame pedestal with 4 rubber diagonal support levelling screws

frame size 94 x 94 cm, total height min. 38 cm, max. 42 cm, galvanized, weight approx. 32 kg. For 2 sets of concrete slabs 45 x 45 x 5 cm.

(same price as SZ412)

art. no. **SZ162**



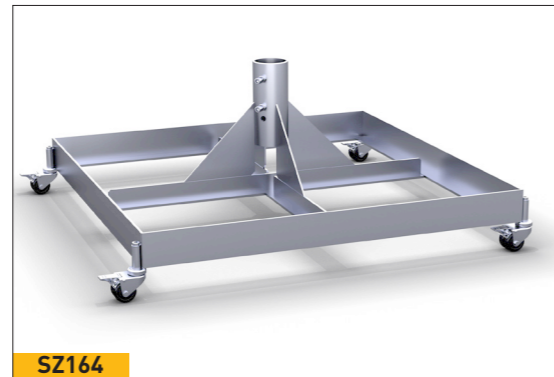
#### Full frame pedestal on wheels

with rubber heavy-duty rollers and fixing brakes, frame size 94 x 94 cm, total height 42 cm, diameter of rollers 5 cm, galvanized, weight approx. 34 kg. For 2 sets of concrete slabs 45 x 45 x 5 cm.

Attention: wind sensitive!

(same price as SZ414)

art. no. **SZ164**



#### Heavy-duty wheels Ø 15 cm

wheel diameter 15 cm, for uneven surfaces. Rubber, with fixing brakes, loading capacity 110 kg/wheel. suitable for SZ164.

For orders with full frame pedestal

art. no. **351498**

For retrofitting

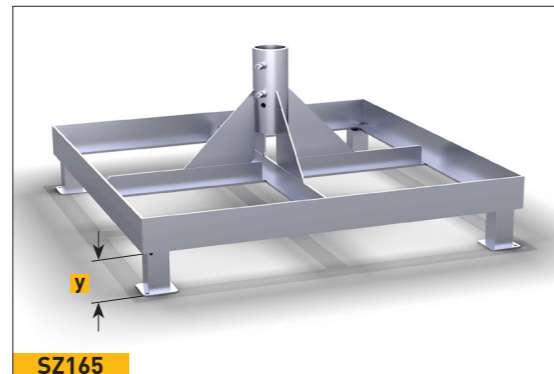
art. no. **351499**

#### Full frame pedestal on feet

for forklift or lift truck transport, frame size 94 x 94 cm, foot height y = 10 cm, galvanized, weight approx 34 kg. For 2 sets of concrete slabs 45 x 45 x 5 cm.

(same price as SZ420)

art. no. **SZ165**

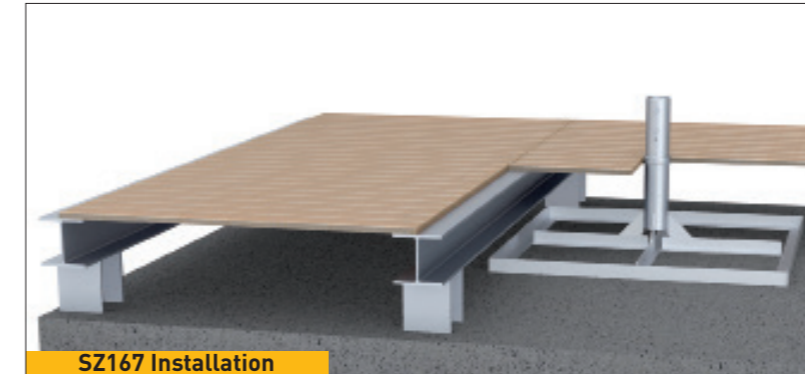
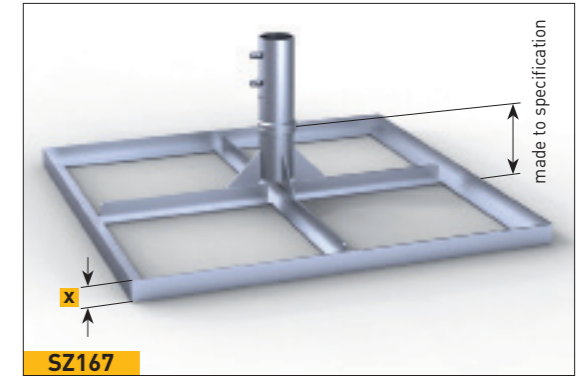


### Full frame pedestal for 2 sets of concrete slabs

customized height to fit patio surface, frame size 94 x 94 cm, screw-off upper part, height of frame x = 8 cm, galvanized, weight approx. 29 kg, incl. top plate for winter protection. For 2 sets of concrete slabs 45 x 45 x 5 cm.

(same price as SZ208)

art. no. **SZ167**



SZ167 Installation



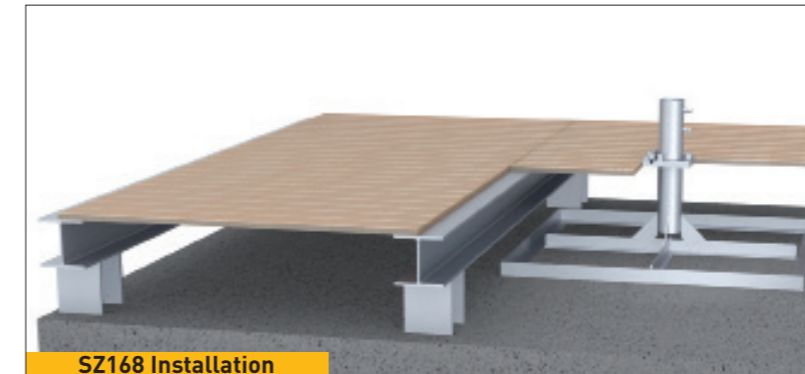
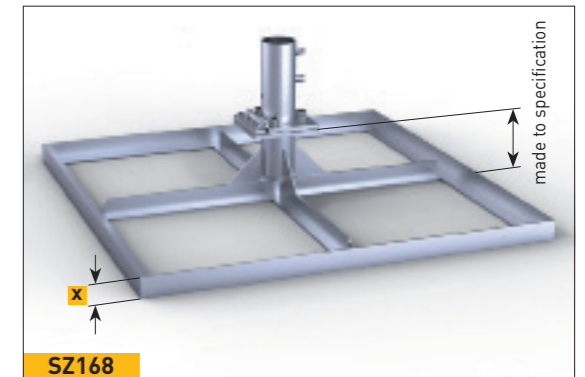
SZ167 Installation

### Full frame pedestal with placement hinge

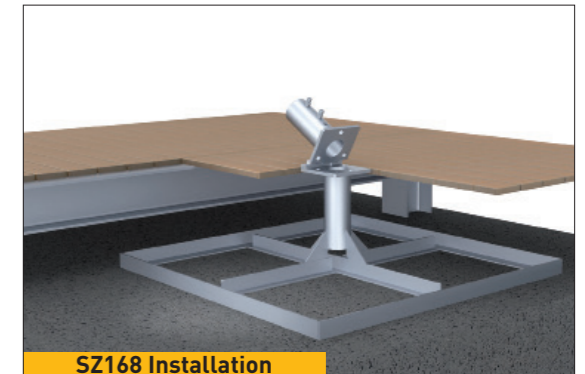
customized height to fit patio surface, frame size 94 x 94 cm, screw-off upper part, height of frame x = 8 cm, galvanized, weight approx. 30 kg, incl. top plate for winter protection. For 2 sets of concrete slabs 45 x 45 x 5 cm.

(same price as SZ210)

art. no. **SZ168**



SZ168 Installation



SZ168 Installation