

## **May Schattello Installation Options**



**EMAIL: [ENQUIRIES@SAMSONAWNINGS.CO.UK](mailto:ENQUIRIES@SAMSONAWNINGS.CO.UK)  
TELEPHONE: (01933) 448844  
MON - FRI 8:30AM - 5:30PM**

## SCHATTELLO – mobile installation options

### Full frame pedestals for 1 set of concrete slabs

#### Full frame pedestal

frame size 103 x 111 cm, total height 29 cm, height of frame  $x = 5$  cm, for 6- and 8-segment parasols, galvanized, weight approx. 30 kg. For 1 set of standard concrete slabs 50 x 50 x 5 cm.

art. no. **SZ411**



### Full frame pedestal with 4 rubber diagonal support levelling screws

frame size 103 x 111 cm, total height min. 32 cm, max. 36 cm, for 6- and 8-segment parasols, galvanized, weight approx. 30 kg. For 1 set of standard concrete slabs 50 x 50 x 5 cm.

art. no. **SZ412**



### Full frame pedestal on wheels

with rubber heavy-duty rollers and fixing brakes, frame size 103 x 111 cm, total height 36 cm, diameter of rollers 5 cm, for 6- and 8-segment parasols, galvanized, weight approx. 31 kg. For 1 set of standard concrete slabs 50 x 50 x 5 cm. Attention: wind sensitive!

art. no. **SZ414**



### Heavy-duty wheels Ø 15 cm

wheel diameter 15 cm, for uneven surfaces. Rubber, with fixing brakes, loading capacity 110 kg/wheel. suitable for SZ414 and SZ205.

For orders with full frame pedestal

art. no. **351498**

For retrofitting

art. no. **351499**

### Full frame pedestal on feet

for forklift or lift truck transport, frame size 103 x 111 cm, foot height  $y = 10$  cm, for 6- and 8-segment parasols, galvanized, weight approx. 30 kg. For 1 set of standard concrete slabs 50 x 50 x 5 cm.

art. no. **SZ420**



### SCHATTELLO – mobile installation options

#### Frame pedestal cover plate

stainless steel 1.4310, fits for SZ411, SZ412, SZ414 and SZ420.  
For retrofitting.

art. no. **200906**



SZ412 with 200906

#### Full frame pedestals for 2 sets of concrete slabs

##### Full frame pedestal

frame size 103 x 103 cm, total height 34 cm, height of frame  
x = 5 cm, galvanized, weight approx. 28 kg. For 2 sets of standard  
concrete slabs 50 x 50 x 5 cm.

art. no. **SZ201**



##### Full frame pedestal

with rubber diagonal support levelling screws,  
frame size 103 x 103 cm, total height min. 37 cm, max. 41 cm,  
galvanized, weight approx. 29 kg. For 2 sets of standard concrete  
slabs 50 x 50 x 5 cm.

art. no. **SZ203**



##### Full frame pedestal on wheels

with rubber heavy-duty rollers and fixing brakes, frame size  
103 x 103 cm, total height 41 cm, diameter of rollers 5 cm,  
galvanized, weight approx. 29 kg. For 2 sets of standard concrete  
slabs 50 x 50 x 5 cm. Attention: wind sensitive!

art. no. **SZ205**

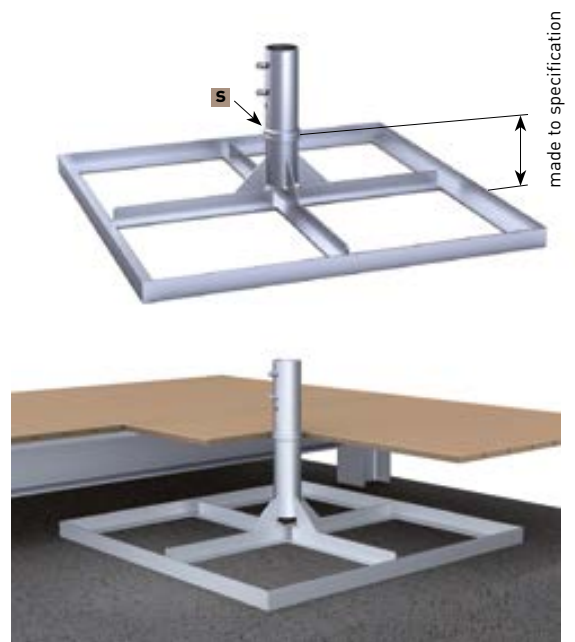


## SCHATTELLO – mobile installation options

### Full frame pedestal

customized height to fit patio surface, frame size 103 x 103 cm, screw-off upper part, for 6- and 8-segment parasols, galvanized, weight approx. 29 kg, incl. top plate for winter protection. For 1 set of standard concrete slabs 50 x 50 x 5 cm, s = Ø 10 cm.

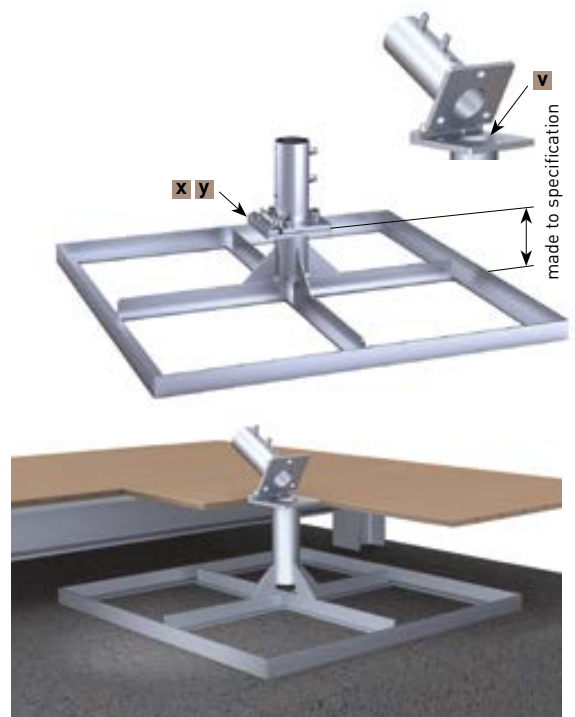
art. no. **SZ208**



### Full frame pedestal with placement hinge

customized height to fit patio surface, frame size 103 x 103 cm, screw-off upper part, galvanized, weight approx. 32 kg, incl. top plate for winter protection. For 1 set of standard concrete slabs 50 x 50 x 5 cm, v = bore for power cable through centre post Ø 7 cm, x = 16 cm, y = 17.5 cm.

art. no. **SZ210**



### Concrete slabs

1 set = 4 slabs, each 50 x 50 x 5 cm, weight per slab: approx. 31 kg, total weight approx. 124 kg.

art. no. **XZ50**



**SCHATTELLO –  
mobile installation options****Steel plates with cut off edge**

1 set = 4 slabs, each 50 x 50 x 1.2 cm. Cut off edge 70 mm x 45°.  
Weight per slab: approx. 29 kg, total weight approx. 116 kg.

art. no. **XZ51****Free-standing base plate**

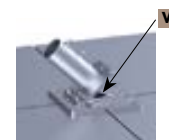
for parasols up to 21 m<sup>2</sup> in size, to be screwed together on site,  
heaviest component approx. 50 kg, base plate size 147 x 147 cm,  
steel plate thickness x = 12 mm, galvanized, weight approx. 213 kg.

art. no. **SZ272****SZ272 / SZ274****Free-standing base plate**

for parasols from 21 m<sup>2</sup> in size, to be screwed together on site,  
heaviest component approx. 63 kg, base plate size 147 x 147 cm,  
steel plate thickness x = 15 mm, galvanized, weight approx. 263 kg.

art. no. **SZ274****Base plate with placement hinge**

for parasols up to 21 m<sup>2</sup> in size, to be screwed together on site,  
heaviest component approx. 50 kg, base plate size 147 x 147 cm,  
v = bore for power cable through centre post Ø 7 cm.  
steel plate thickness x = 12 mm, galvanized, weight approx. 214 kg.

art. no. **SZ273****SZ273 / SZ275****Base plate with placement hinge**

for parasols from 21 m<sup>2</sup> in size, to be screwed together on site,  
heaviest component approx. 63 kg, base plate size 147 x 147 cm,  
steel plate thickness x = 15 mm, galvanized, weight approx. 264 kg.

art. no. **SZ275****Anti-slip mat**

1 set = 4 pieces 73 x 73 cm each, suitable for the steel plates of  
the installation options SZ272, SZ273, SZ274, SZ275, SZ240, SZ241,  
SZ242 and SZ243. Increases the coefficient of friction between  
steel plate and floor covering (wood, concrete slabs, asphalt),  
and therefore reduces the risk of slipping during windy weather.  
Colour black, x = 3 mm.

art. no. **352789**

## SCHATTELLO – stationary installation options

### Anchor tube to be embedded in concrete

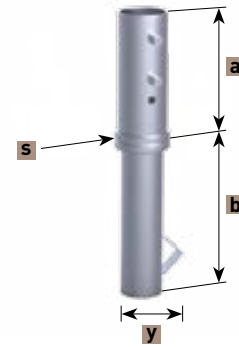
2 pieces, screw-off upper part, for 6- and 8-segment parasols, galvanized, weight approx. 7 kg, incl. top plate for winter protection. a = 22 cm, b = 29 cm, s = Ø 10 cm, y = 16 cm.

art. no. **SZ118**

### Anchor tube to be embedded in concrete

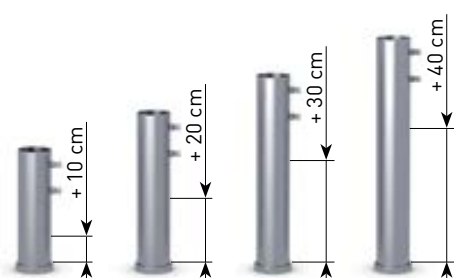
identical with SZ118, stainless steel (1.4571)

art. no. **352453**

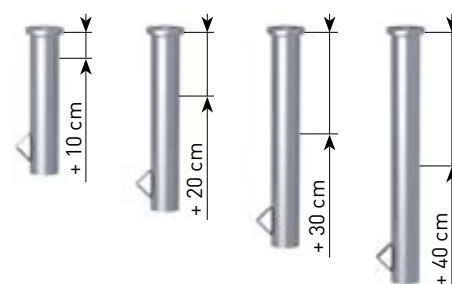


### SZ118 options: galvanized

#### SZ118 upper anchor tube, extra length



#### SZ118 lower anchor tube, extra length

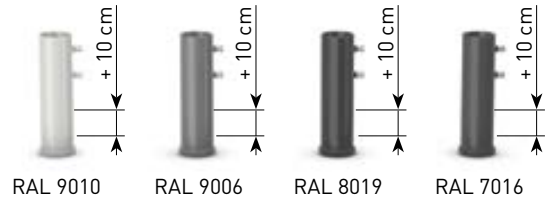


### SZ118 options: galvanized with additional powder-coating

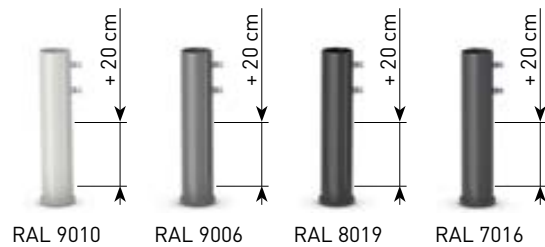
#### Standard length



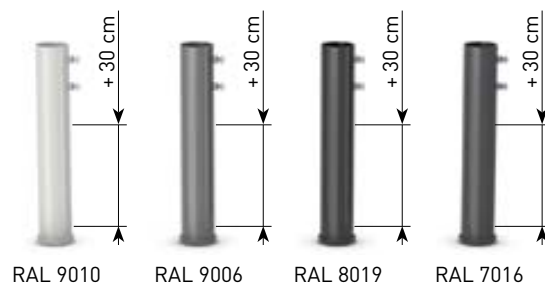
#### Extra length + 10 cm



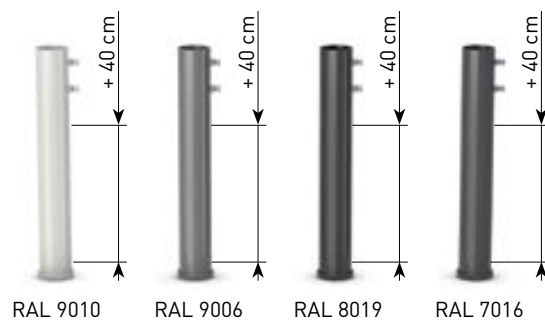
#### Extra length + 20 cm

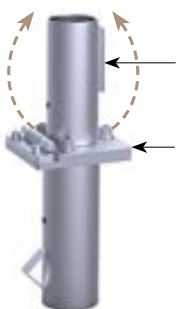
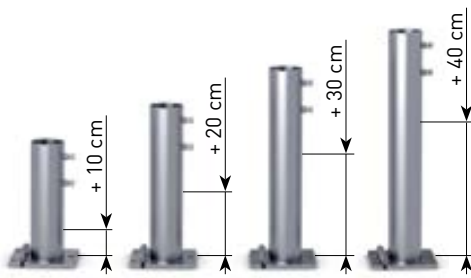
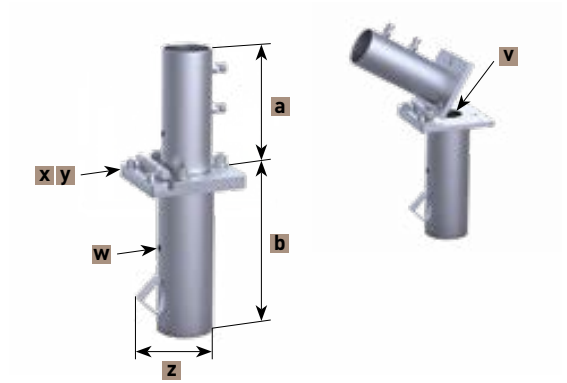


#### Extra length + 30 cm



#### Extra length + 40 cm









RAL 9010



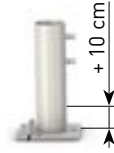
RAL 9006



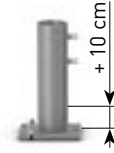
RAL 8019



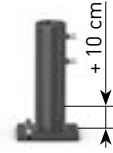
RAL 7016



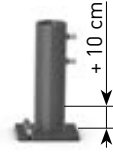
RAL 9010



RAL 9006



RAL 8019



RAL 7016



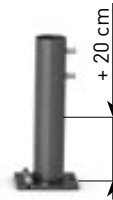
RAL 9010



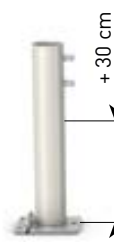
RAL 9006



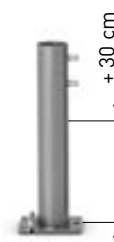
RAL 8019



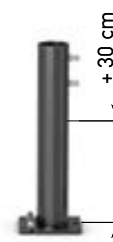
RAL 7016



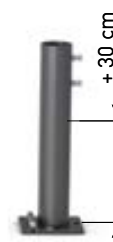
RAL 9010



RAL 9006



RAL 8019



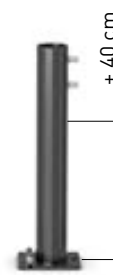
RAL 7016



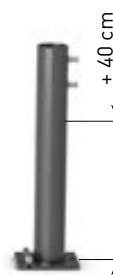
RAL 9010



RAL 9006



RAL 8019



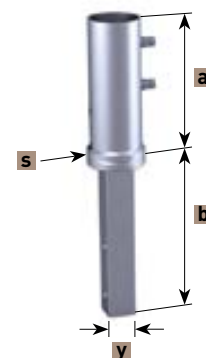
RAL 7016

## SCHATTELLO – stationary installation options

### Anchor tube to be embedded in concrete

for an existing foundation with a bore hole of min.  $\varnothing$  71 mm,  
2 pieces, screw-off upper part, for 6- and 8-segment parasols.  
Bore hole filled with grouting or epoxy resin to fix lower part of  
anchor tube. Existing foundation must be adequate in size for the  
designated parasol. Galvanized, weight approx. 5 kg, lower tube  
square, incl. top plate for winter protection,  
a = 22 cm, b = 29 cm, s =  $\varnothing$  10 cm, y =  $\square$  5 cm.

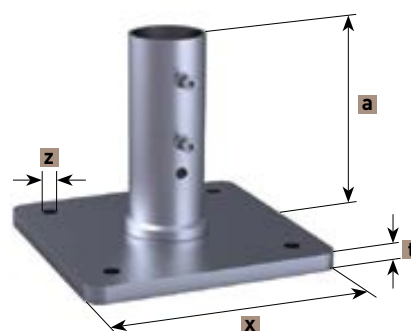
art. no. **SZ146**



### Dowel-anchored plate

2 pieces, screw-off upper part, for 6- and 8-segment parasols,  
galvanized, weight approx. 14 kg, a = 22 cm, x =  $\square$  30 cm, t = 1.5 cm,  
z =  $\varnothing$  1.8 cm

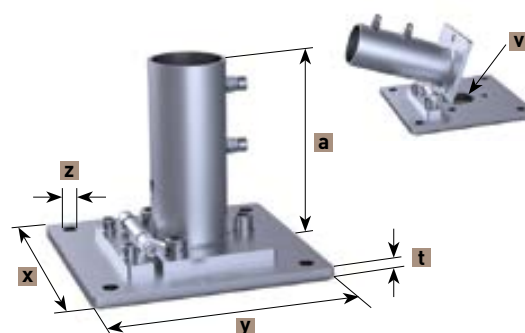
art. no. **SZ261**



### Dowel-anchored plate with placement hinge

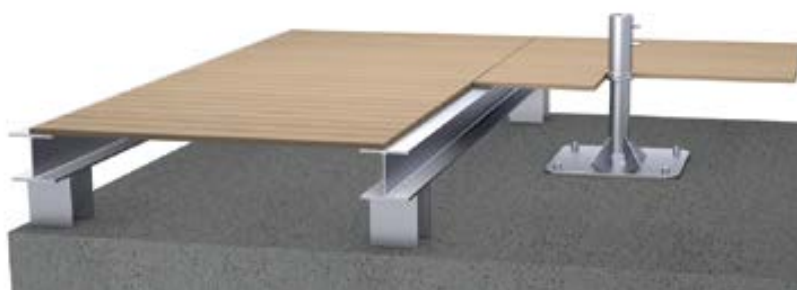
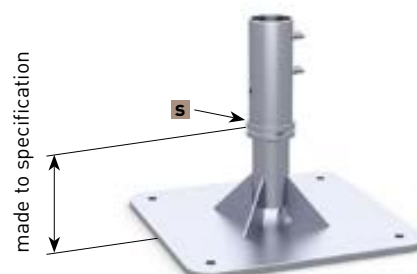
galvanized, weight approx. 11.8 kg,  
v = bore for power cable through centre post  $\varnothing$  7 cm,  
a = 23 cm, x = 26 cm, y = 27.5 cm, t = 1.2 cm, z =  $\varnothing$  1.8 cm

art. no. **SZ131**



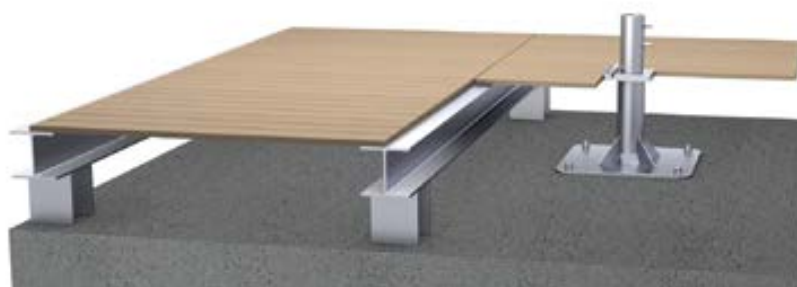
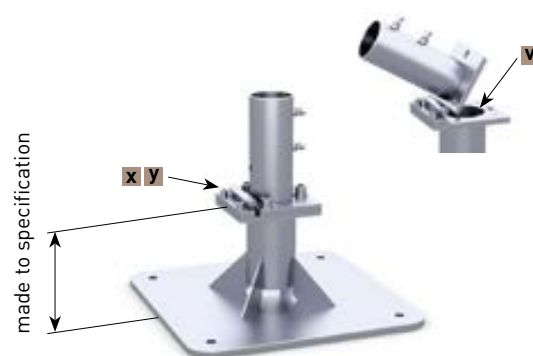
**SCHATTELLO –  
stationary installation options****Dowel-anchored plate**

customized height to fit patio surface, anchor plate 50 x 50 cm, screw-off upper part, for 6- and 8-segment parasols, galvanized, weight approx. 32 kg, incl. top plate for winter protection, s = Ø 10 cm.

art. no. **SZ129****Dowel-anchored plate with placement hinge**

customized height to fit patio surface, anchor plate 50 x 50 cm, screw-off upper part, galvanized, weight approx. 33 kg, incl. top plate for winter protection.

v = bore for power cable through centre post Ø 7 cm,  
x = 16 cm, y = 17.5 cm.

art. no. **SZ127**

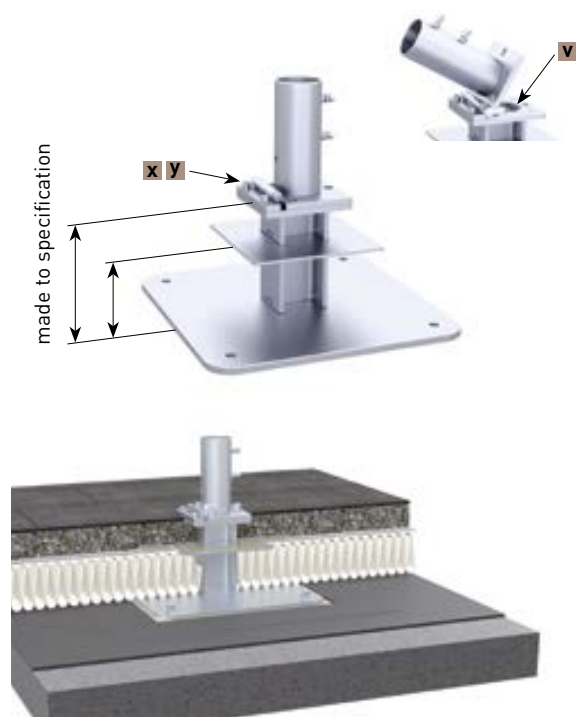
## SCHATTELLO – stationary installation options

### Flat-roof dowel-anchored plate with placement hinge

externally insulated roof system, system-conform flat roof connection with liquid plastic, customized height to fit flat roof surface, dowel plate 50 x 50 cm, screw-off upper part, galvanized, weight approx. 38 kg, incl. top plate for winter protection.

v = bore for power cable through centre post  $\varnothing$  7 cm,  
x = 16 cm, y = 17.5 cm.

art. no. **SZ186**

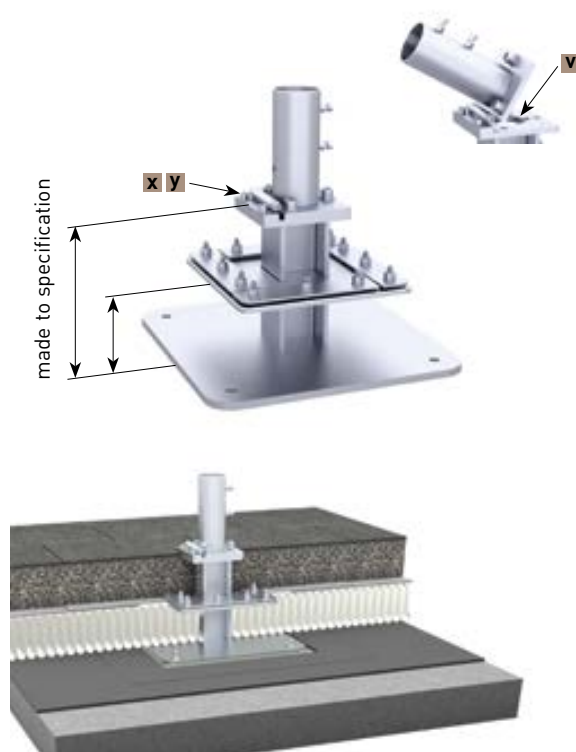
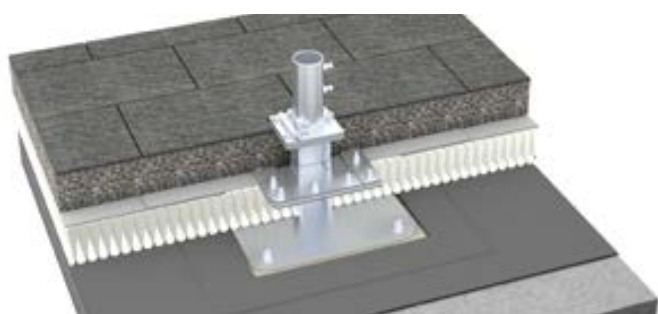


### Flat-roof dowel-anchored plate with upper anchor tube

externally insulated roof system, loose-and-fixed flange assembly, bitumen waterproofing system and synthetic waterproofing material. Total height is determined by order to achieve the same level as the flat roof ground, dowelled plate 50 x 50 cm. Upper part removable, galvanized, weight approx. 37 kg, including top plate for winter protection.

v = bore for power cable through centre post  $\varnothing$  7 cm,  
x = 16 cm, y = 17.5 cm.

art. no. **SZ194**



**SCHATTELLO –  
stationary installation options****Wall bracket**

galvanized, weight approx. 5.5 kg, ground plate 30 x 20 cm, x = 7 cm, t = 1 cm. Bottom end of centre pole is supported by the bottom of the tube. The height is changed by the measure y = 5 cm. This option only makes sense in case of low balustrades and ledges, otherwise the parasol will hit the wall.

art. no. **RZ125****Wall pressure plate**

fits for RZ125, galvanized; 30 x 20 cm; to be clamped onto the existing bars (only possible if these are very strong), bore holes for M16 stud bolts (not included in the delivery).

art. no. **352579****RZ125 in combination  
with 352579****Anchor bolt**

bolt and nut, fits for SZ261, SZ131, SZ127, SZ129, SZ186 and SZ194; approved for cracked and non-cracked concrete B25 to B55 (old compressive strength classes) C20/25 to C50/60, (new EU classification), also suitable for concrete B15 and natural stone with dense structure. Concrete bore hole  $\varnothing$  16 x 115 mm. in stainless steel A4. Package contains 4 bolts. European Technical Approval ETA-05/0069.

art. no. **200900**

## SCHATTELLO – stationary installation options

### Ground screw anchor fixture

Upper anchor tube, suitable for ground screw KSF F 140 x 2100-M, Screw-in ground anchor not included in delivery, standard parts for screwing included, for 6- and 8-segment parasols, Hot-dip galvanized, weight approx. 6 kg, a = 26 mm, x = 22 cm, t = 1.5 cm, see page 210 for further information.

art. no. **SZ329**



### Screw-in ground anchor

groundscrew with upper anchor tube, incl. standard parts, parts unscrewed on delivery, steel, for 6- and 8-segment parasols, galvanized acc. DIN EN ISO 1461, weight approx. 30 kg, delivered in two ready-to-assemble parts. See page 210 for further information.

art. no. **SZ330**



### Ground screw anchor fixture with placement hinge

Upper anchor tube, suitable for ground screw KSF F 140 x 2100-M, Screw-in ground anchor not included in delivery, standard parts for screwing included, hot-dip galvanized, weight approx. 22 kg, v = bore for power cable through centre post  $\varnothing$  7 cm, x = 32 cm, y = 29 cm, see page 210 for further information.

art. no. **SZ349**



### Ground screw anchor fixture with placement hinge

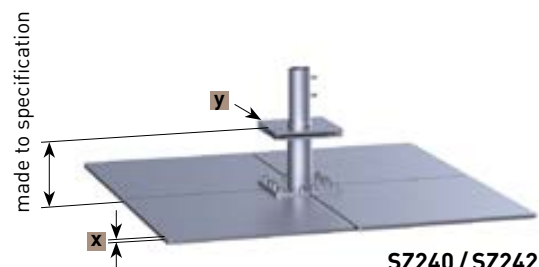
suitable for all sizes up to 28 m<sup>2</sup>; groundscrew with upper anchor tube, incl. standard parts, parts unscrewed on delivery, steel, galvanized acc. DIN EN ISO 1461, weight approx. 46 kg, incl. top plate for winter protection. delivered in two ready-to-assemble parts. v = bore for power cable through centre post  $\varnothing$  7 cm. For further information see page 210 onwards.

art. no. **SZ350**

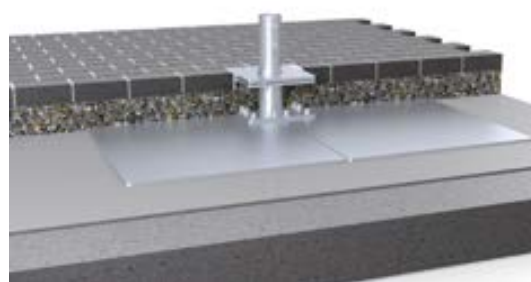


**SCHATTELLO –  
stationary installation options****Base plate**

customized height to fit patio surface, for parasols up to 21 m<sup>2</sup> in size, to be screwed together on site, heaviest component approx. 50 kg, base plate size 147 x 147 cm, steel plate thickness  $x = 12$  mm, screw-off upper part, for 6- and 8-segment parasols, galvanized, weight approx. 224 kg, incl. top plate for winter protection,  $y = \square 28$  cm.

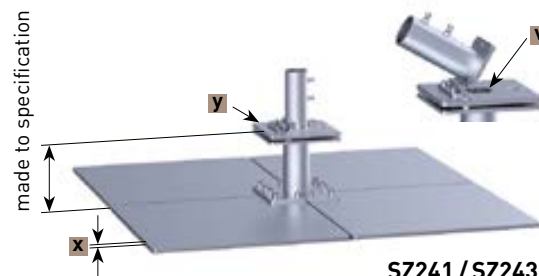
art. no. **SZ240****SZ240 / SZ242****Base plate**

customized height to fit patio surface, for parasols from 21 m<sup>2</sup> in size, to be screwed together on site, heaviest component approx. 63 kg, base plate size 147 x 147 cm, steel plate thickness  $x = 15$  mm, screw-off upper part, for 6- and 8-segment parasols, galvanized, weight approx. 274 kg, incl. top plate for winter protection,  $y = \square 28$  cm.

art. no. **SZ242****Base plate with placement hinge**

customized height to fit patio surface, for parasols up to 21 m<sup>2</sup> in size, to be screwed together on site, heaviest component approx. 50 kg, base plate size 147 x 147 cm, steel plate thickness  $x = 12$  mm, screw-off upper part, galvanized, weight approx. 225 kg, incl. top plate for winter protection.

$v =$  bore for power cable through centre post  $\varnothing 7$  cm,  $y = \square 28$  cm.

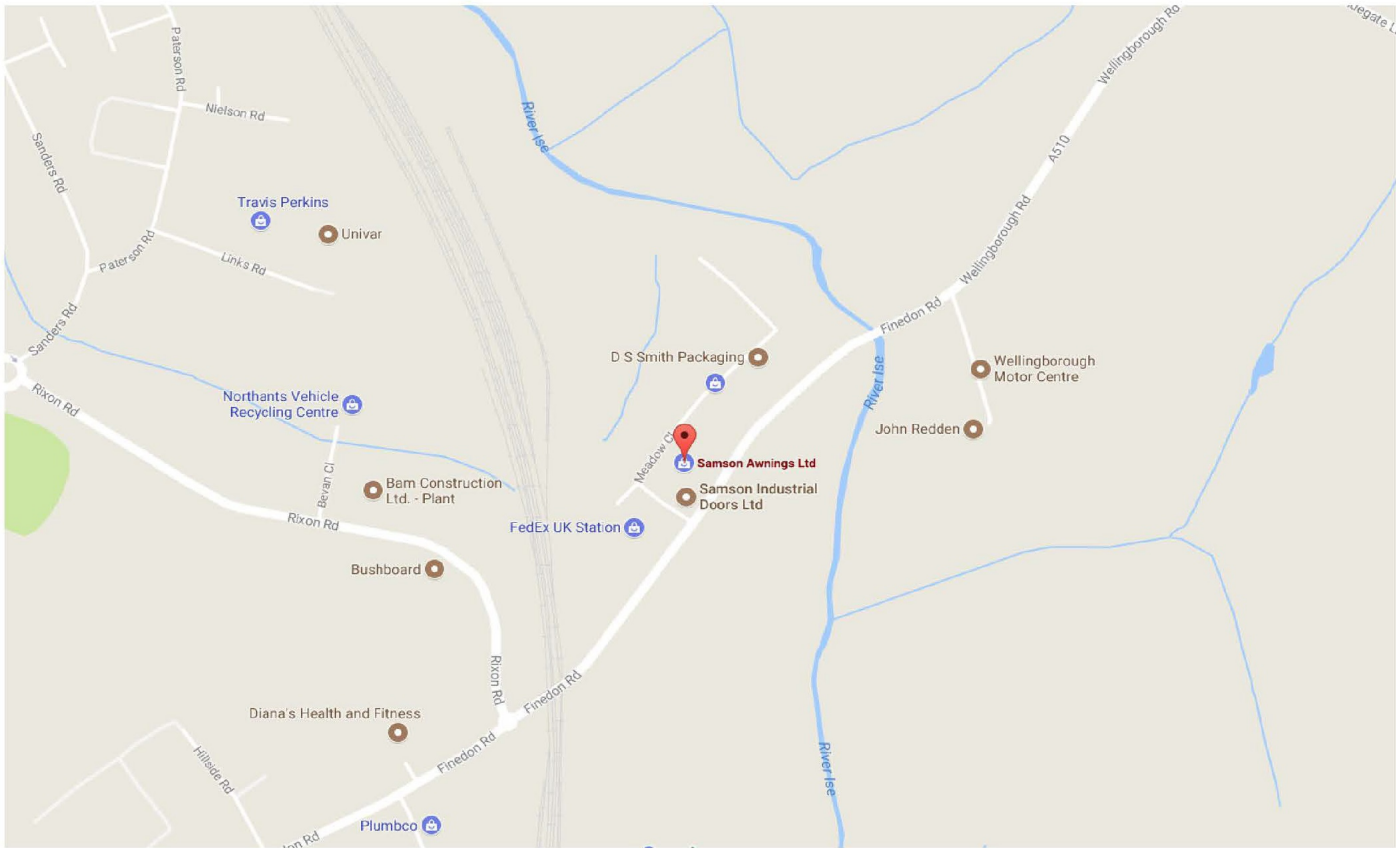
art. no. **SZ241****SZ241 / SZ243****Base plate with placement hinge**

customized height to fit patio surface, for parasols up to from 21 m<sup>2</sup> in size, to be screwed together on site, heaviest component approx. 63 kg, base plate size 147 x 147 cm, steel plate thickness  $x = 15$  mm, screw-off upper part, galvanized, weight approx. 275 kg, incl. top plate for winter protection,  $y = \square 28$  cm.

art. no. **SZ243****Theft pin**

padlock and pin, in stainless steel, for support pole  $\varnothing 76$  mm. suitable for retrofitting.

art. no. **200103**



## Nationwide delivery and installation service

**6-8 MEADOW CLOSE  
ISE VALLEY INDUSTRIAL ESTATE  
FINEDON ROAD  
WELLINGBOROUGH  
NN8 4BH**

**EMAIL: ENQUIRIES@SAMSONAWNINGS.CO.UK  
TELEPHONE: (01933) 448844  
MON - FRI 8:30AM - 5:30PM**

