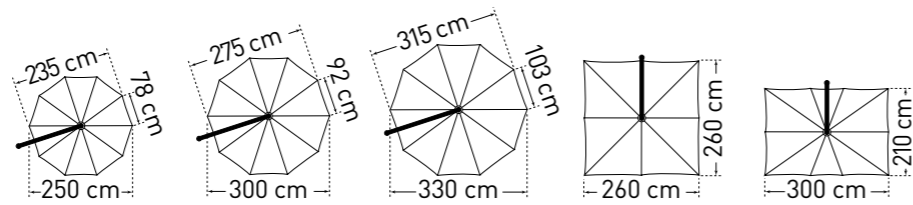
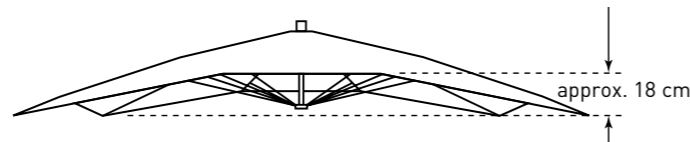


MEZZO MG – Sizes and Technical Data



MEZZO standard model MG			Ø 2.5 m	Ø 3.0 m	Ø 3.3 m ¹⁾	2.6 x 2.6 m	2.1 x 3.0 m ²⁾
Segments			10	10	10	8	10
Area	m ²		5	7	8.5	6.75	6.25
A	without/with valance	cm	193	192/182	200	209	195
B	without/with valance	cm	253	261/251	269	268	261
C	without/with valance	cm	339	359/369	405	372	351
D	without/with valance	cm	127	104/114	100	129	150
E		cm	162	162	170	162	162
F		cm	280	305	335	282	272
G		cm	55	55	55	55	55
H		cm	90	90	90	90	90
I	without/with valance	cm	182/192	182/192	192	192	192
K	without/with valance	cm	259/269	259/269	278	268	270
L	without/with valance	cm	30/40	30/40	40	38	40
M	without/with valance	cm	92/102	93/103	90	69	73
P	without/with valance	cm	83/74	80/70	73	50	54
Weight without packaging	kg		16	17	18	16	16
Q	Support pole diameter	mm	outer-Ø 55, pole thickness 3				
Packaging			rectangular cardboard box: l= 290 cm, w= 37 cm, h= 15 cm, approx. 3 kg				
Installation base length/width/min. depth	cm		50/50/60				
Minimum ballast incl. full frame pedestal DMZ411			1 layer of concrete slabs XZ40 = approx. 95 kg				

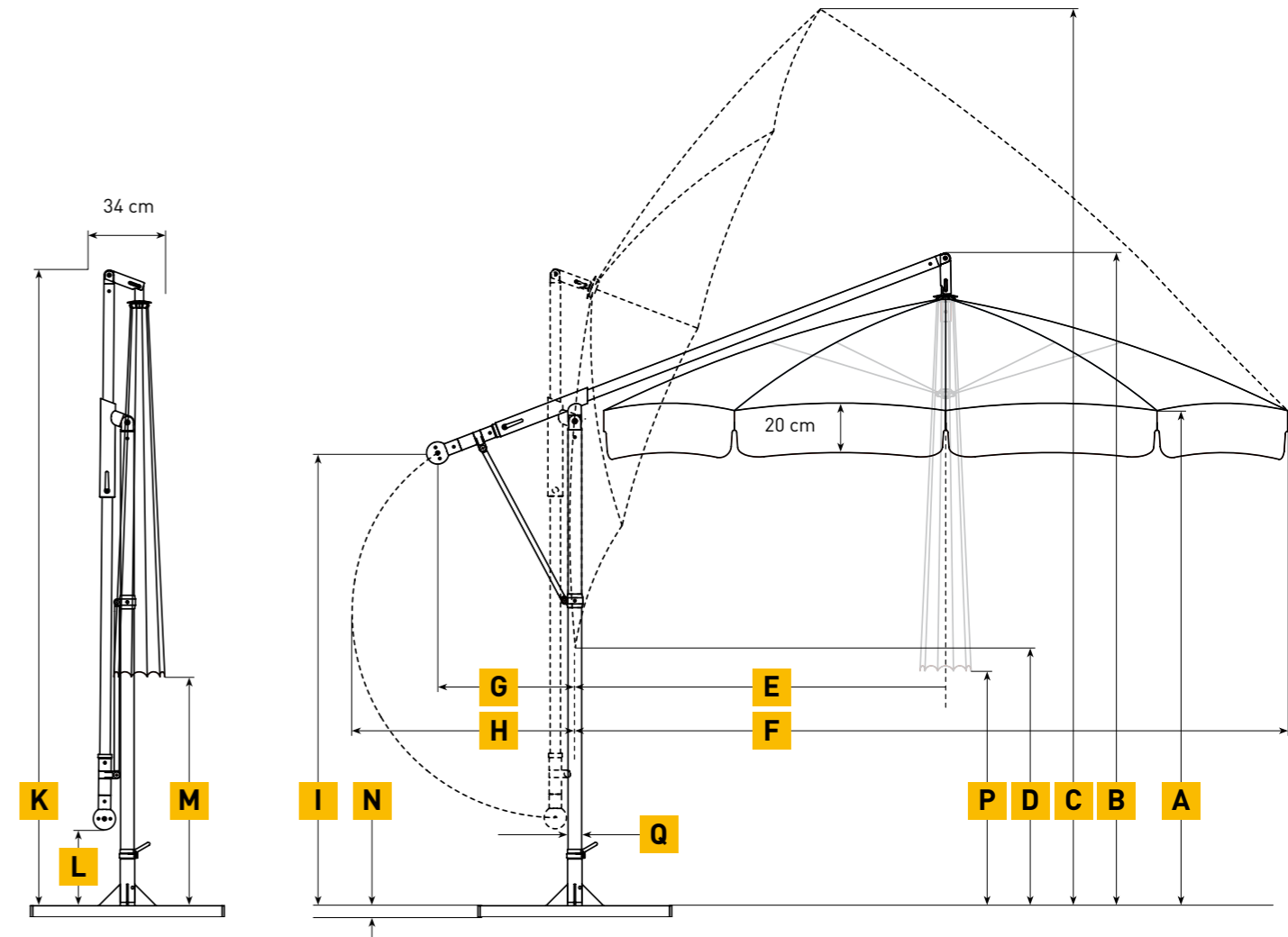
¹⁾ Additional pedestal weight may be required for windy locations (upwind, sloping sites and so on). Do not use granite base. Pedestals require 2 sets of concrete slabs.
²⁾ The canopy is vaulted, so that the corner spokes are approx. 9 – 18 cm lower than the centre spokes. (cf. sketch)



All measurements are to be understood as approximate.

N The heights specified are for parasols with MayTex-Acryl covering fabric that are mounted in an anchor tube (DMZ118, DMZ146, DMZ150). The increase in height for parasols with other installation bases can be seen in the list below:

- Cross pedestal: DMZ110 + 6 cm
- Full frame pedestal: DMZ411 + 9 cm
- Full frame pedestal: DMZ412 + 12 cm
- Full frame pedestal: DMZ414 + 16 cm
- Full frame pedestal: DMZ420 + 19 cm
- Granite base: DMZ141 + 10 cm
- Wheeled pedestal: DMZ282 + 14/15 cm
- Anchor plate: DMZ261 + 4 cm



Adjustable to suit your individual needs

1 No matter where the sun is, the parasol canopy can be tilted at any angle for shade and protection, then locked.

