



PRODUCT SHEET PARAFLEX



VERSIONS



Round

- 2.2m/7'3"
- 2.7m/8'10"



Square

- 1.9m/6'3"



Arm Length

- 1.85m/6'1"
- 2.35m/7'8.5"

POSITIONS

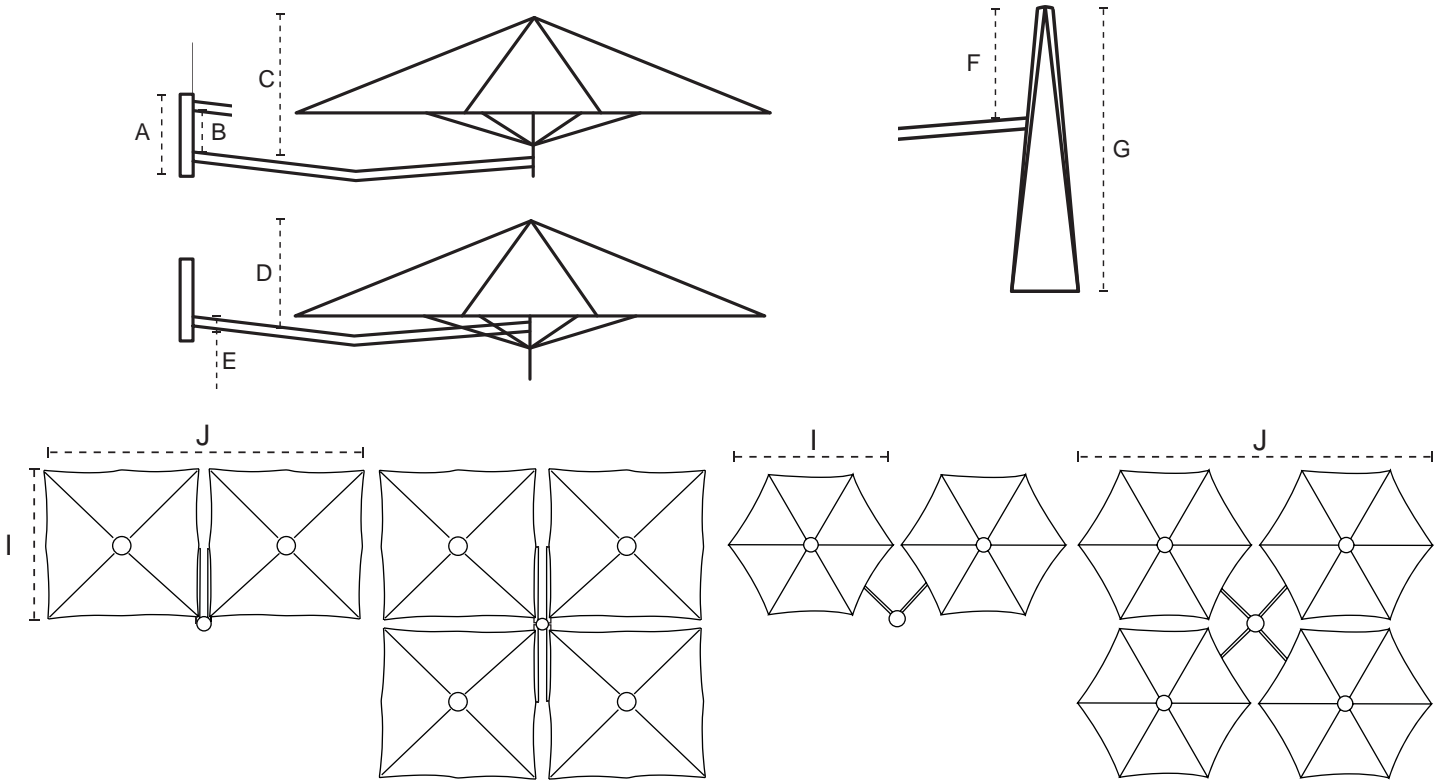


COLORS

PREMIUM	Alba	Roma	Taupe	Stonegray	Mandarine	Red	Terra	Sunflower	Camel	Mint	Nero
	Canvas	Taupe	Granite	Orange	Paris Red	Pink	Gold	Lagoon	Olive		

UMBROSA PRODUCT SHEET

DIMENSIONS



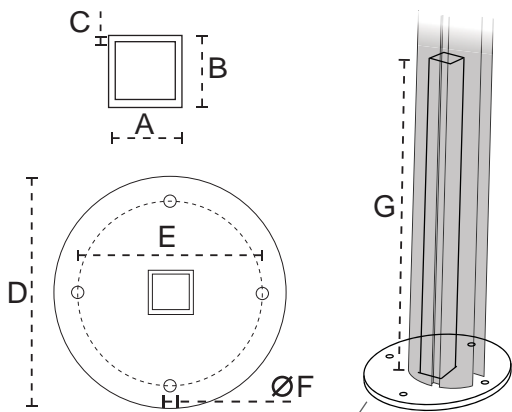
	A	B	C	D	E	F	G	I	J
	cm/inch	cm/inch	cm/ft	cm/ft	cm/inch	cm/ft	cm/ft	cm/ft	cm/ft
○ 2.2m/7'3"	34/13.4"	28/11"	70/2'3.5"	45/1'6"	6/2.4"	45/1'6"	110/3'7"	220/7'3"	440/14'5"
○ 2.7m/8'10"	34/13.4"	28/11"	70/2'3.5"	45/1'6"	6/2.4"	45/1'6"	145/4'9"	270/8'10"	540/17'8.5"
□ 1.9m/6'3"	34/13.4"	28/11"	70/2'3.5"	45/1'6"	6/2.4"	45/1'6"	135/4'5"	190/6'3"	400/13'1.5"

DIMENSIONS AND MATERIALS FOR SPIGOT BASES AND POLES

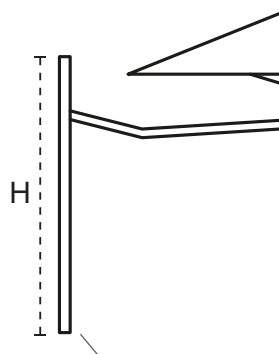
Spigot

Monoflex

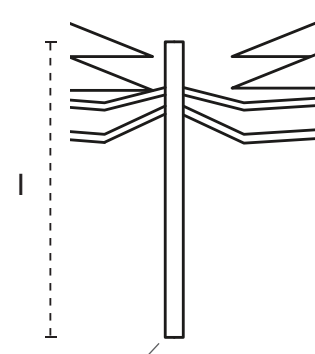
Multiflex



Galvanised steel 8mm/0.3"



Extruded Aluminium Alloy 6060, naturally anodised



	A	B	C	D	E	F	G	H	I min	I max
	mm/inch	mm/inch	mm/inch	mm/inch	mm/inch	mm/inch	mm/inch	cm/ft	cm/ft	cm/ft
Spigot Dimensions	40/1.6"	40/1.6"	3/0.12"	215/8.5"	170/6.7"	11/0.43"	490/19"	205/6'9"	215/7'	240/7'10"

UMBROSA PRODUCT SHEET

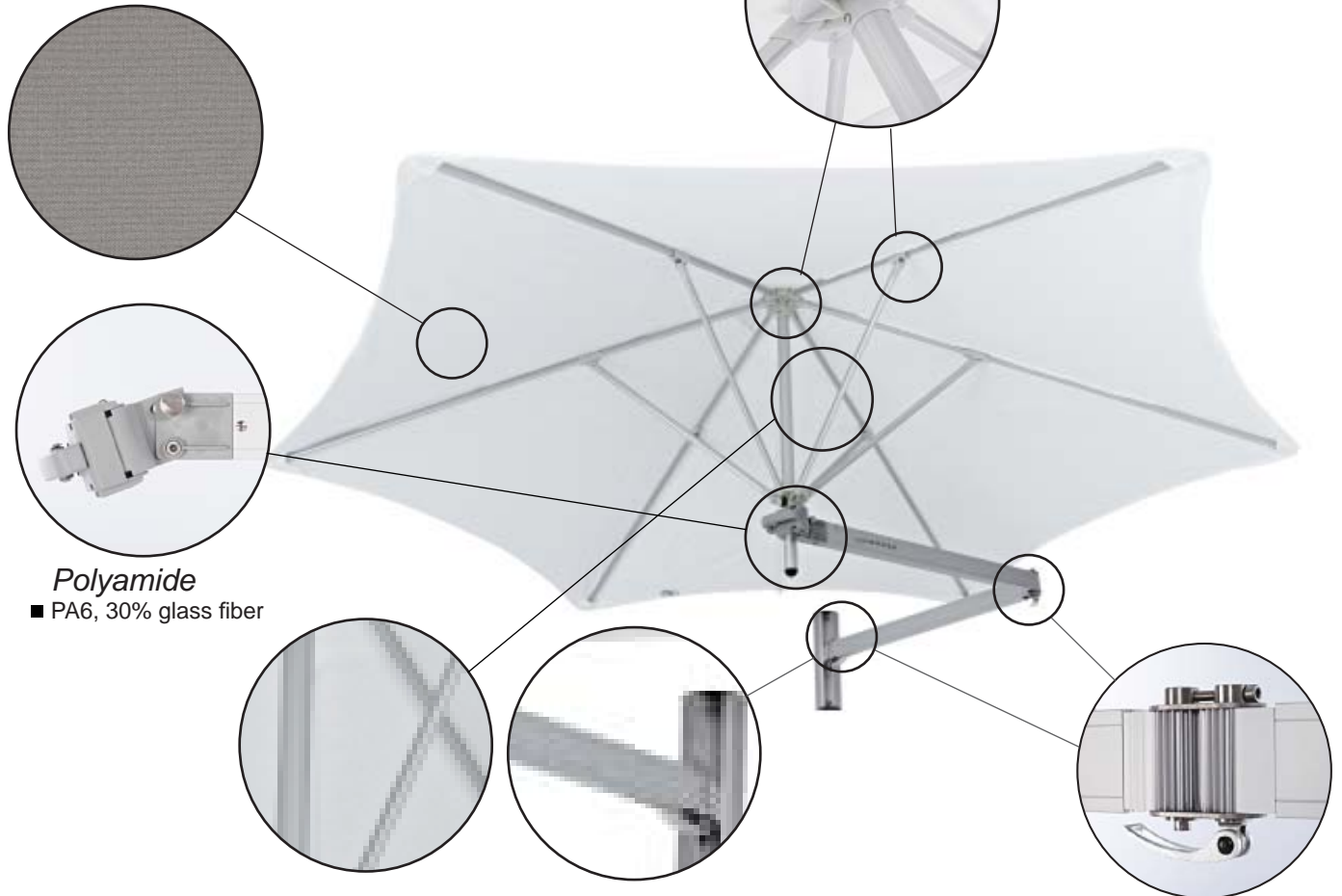
MATERIALS

Fabric

- 'Premium': Olefine 190 g/m²
- 'Limited': 100% Sunbrella Acryl 270 g/m²
- For more detailed info, see spec Fabric

Polyamide

- PA6, 30% glass fiber



Polyamide

- PA6, 30% glass fiber

Aluminium profiles and clamp

- Aluminium Alloy 6060
- Naturally anodized

Hinge of Stainless Steel

- Alloy AISI 304 ■

BASE / FIXATION OPTIONS

H _{min}	D	Weight
100 cm	10 mm	n/a
3'3"	0.4"	n/a

Wall fixation ■
Stainless steel 304 ■

L	W	H	Weight
85 cm	85 cm	12 cm	180 kg
34"	34"	5"	397 lb

Galvanised steel ■
Fill with 12 tiles 40x40x4 cm ■
or 12 tiles 16"x16"x2" ■
Anodized aluminium plate 3mm ■

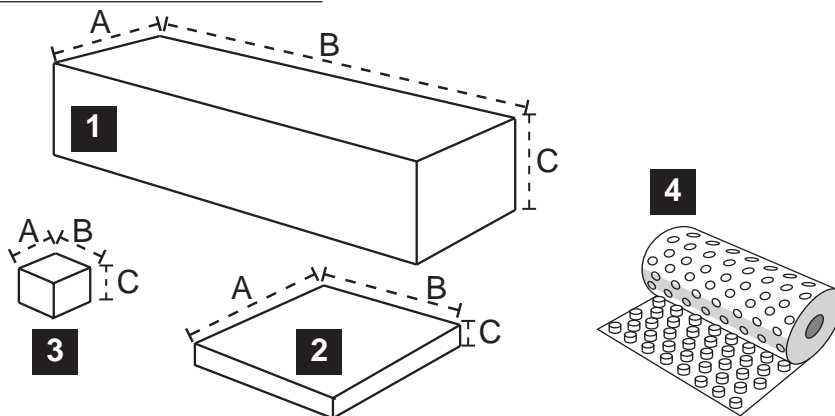
L	W	H	Weight
80 cm	80 cm	8.5 cm	120 kg
32"	32"	3.4"	265 lb

High quality surface finish ■
Demountable for easy transport ■
Easy manipulation with handle ■

L	L'	P	Weight
40 cm	90 cm	40x40x3 mm	n/a
14"		1.6"x1.6"x0.12"	n/a

Galvanised Steel ■
Pit of 60x60x40cm ■
or 2"x2"x1'4" filled with concrete ■

PACKAGING AND TRANSPORT



	qty #	Type	A cm/ft,inch	B cm/ft,inch	C cm/ft,inch	Net weight kg/lb	Brut weight kg/lb
Box for arm 1.85m/6'1"	1	1	14/5.5"	95/3'1.5"	12/4.5"	0,4/0.88	4,0/8.8
Box for arm 2.35m/7'8.5"	1	1	14/5.5"	120/3'11"	12/4.5"	0,5/1.1	4,8/10.6
Box for 2 umbrellas	1	1	30/11.8"	145/4'9"	15/5.9"	1/2.2	Depend on order
Multiflex Box	1	1	10/4"	196/6'5"	10/4"	0,67/1.5	9,0/20
Monoflex Box	1	1	11/4.3"	212/6'11.5"	10/4"	0,54/1.2	5,6/12
Solid Ground Rod	1	4	22/8.5"	22/8.5"	50/1'7.5"	n/a	4/8.8
In-Ground Fitting Package	1	4	15/5.9"	87/2'10.3"	5/2"	n/a	4/8.8
Wall Bracket Box	1	2	16/6.3"	16/6.3"	5/2"	0,04/0.09	0,63/1.4
Mobile Base Boxes	1	2	29/11.4"	85/2'9.5"	9/3.5"	0,63/1.4	6,0/13
	3	2	29/11.4"	85/2'9.5"	9/3.5"	0,63/1.4	40/88
Tile Base Box	1	2	26/10.2"	86/2'10"	8/3.1"	0,59/1.3	10/23
Alu top Box	1	2	87/2'10.3"	87/2'10.3"	14/5.5"	1,2/2.65	10/22

NICE TO KNOW

■ All umbrella's include:

Manual



Storage Bag

- PU coated fabric
- Can resist a water column of 500mm/1'8"
- Easy to use thanks to zipper and auxiliary tool

- All parts can be ordered separately
- Designed and made in Belgium
- 2 yrs warranty on structure, 3 yrs on decoloration of fabric

- As a guideline we refer to the following wind speeds
6 beaufort, 50km/h, 31mph

