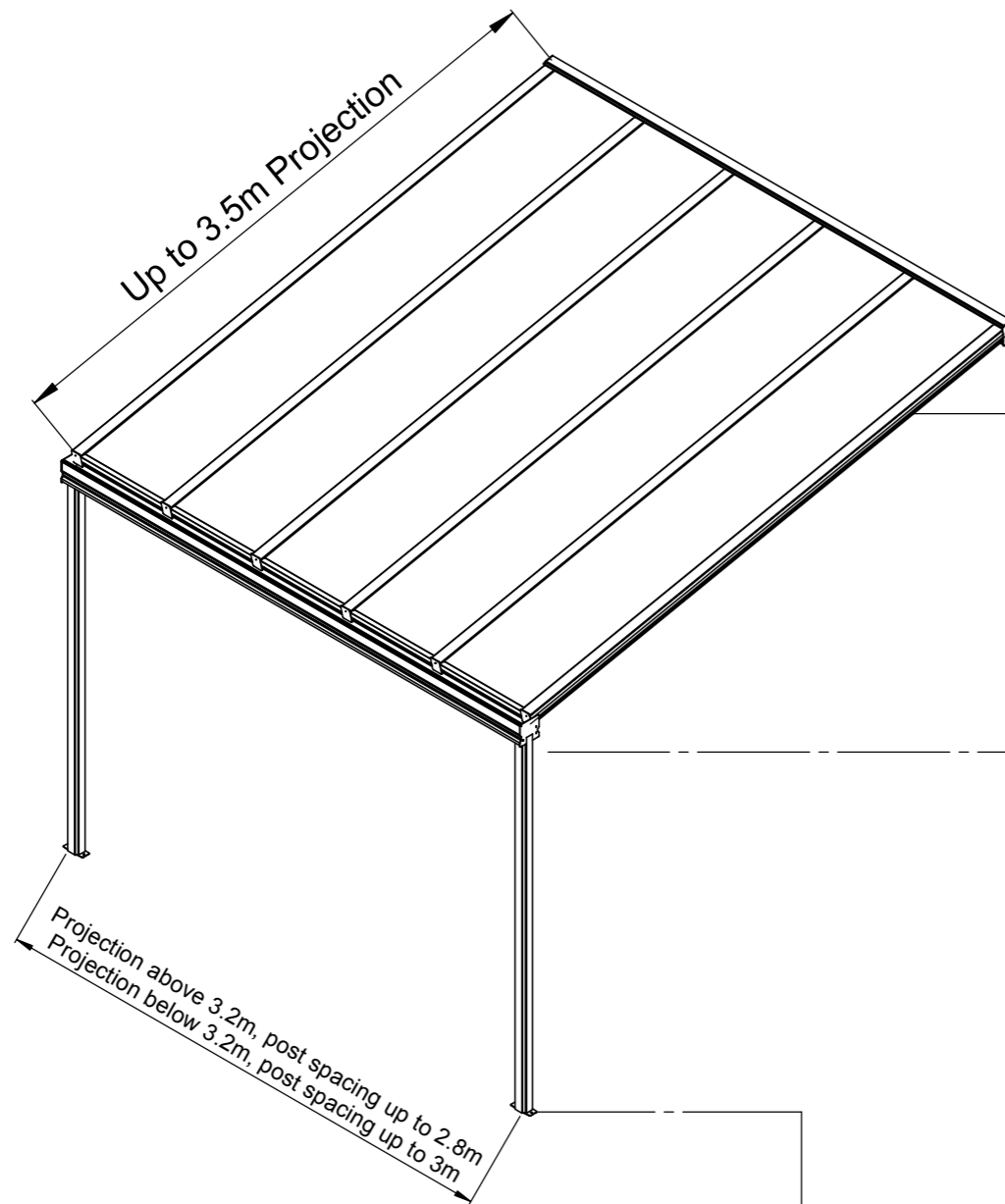
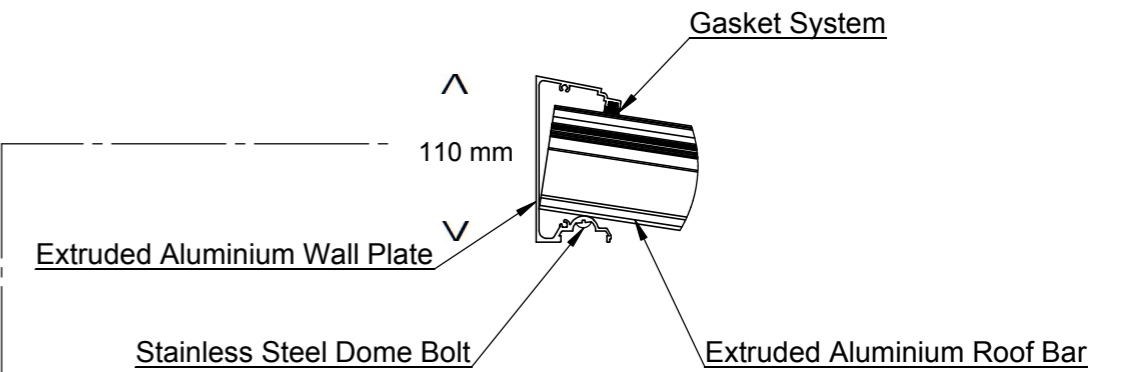


Samson G6 Glass Veranda

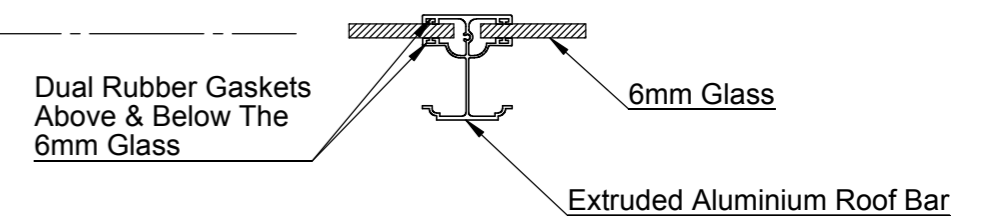
V 1.7



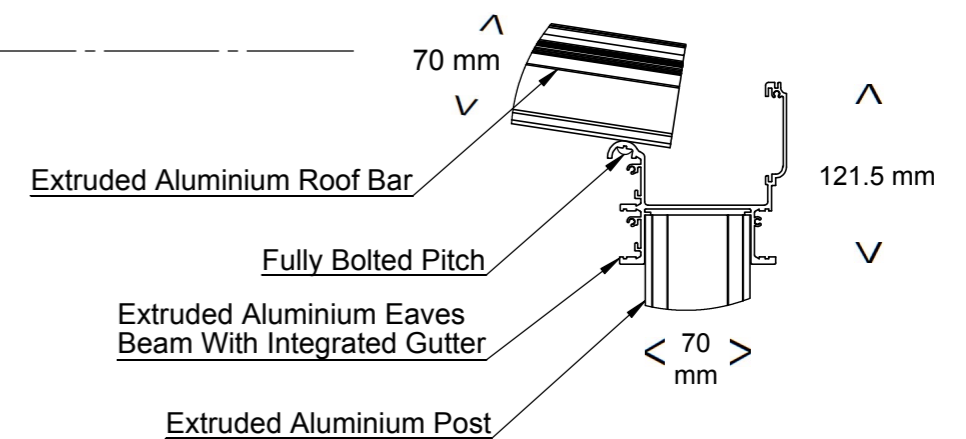
Wall Plate & Roof Bar Section



Roof Bar & Sheet Section



Eaves Beam Roof Bar & Post Section



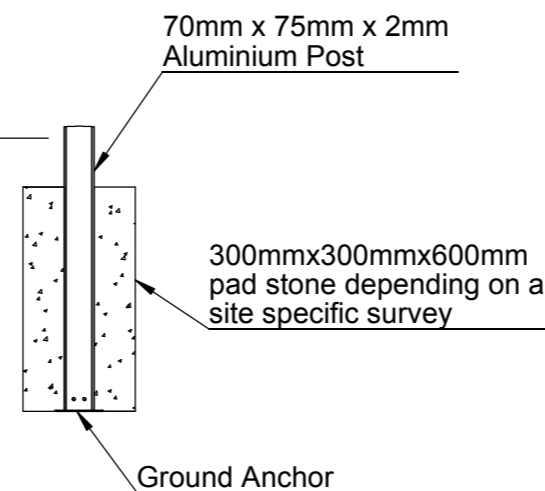
Material List & Component Information

1. The canopy wall plate is an extruded aluminium profile which fixes to the wall or steel bracket.
2. This canopy uses 6mm glass roof panels in clear.
3. This canopy uses our gasketed 6mm glass roof system, which is constructed from T6 grade structural aluminium frame.
4. The frame of the canopy is made from 70mm x 75mm x 2mm aluminium box section.

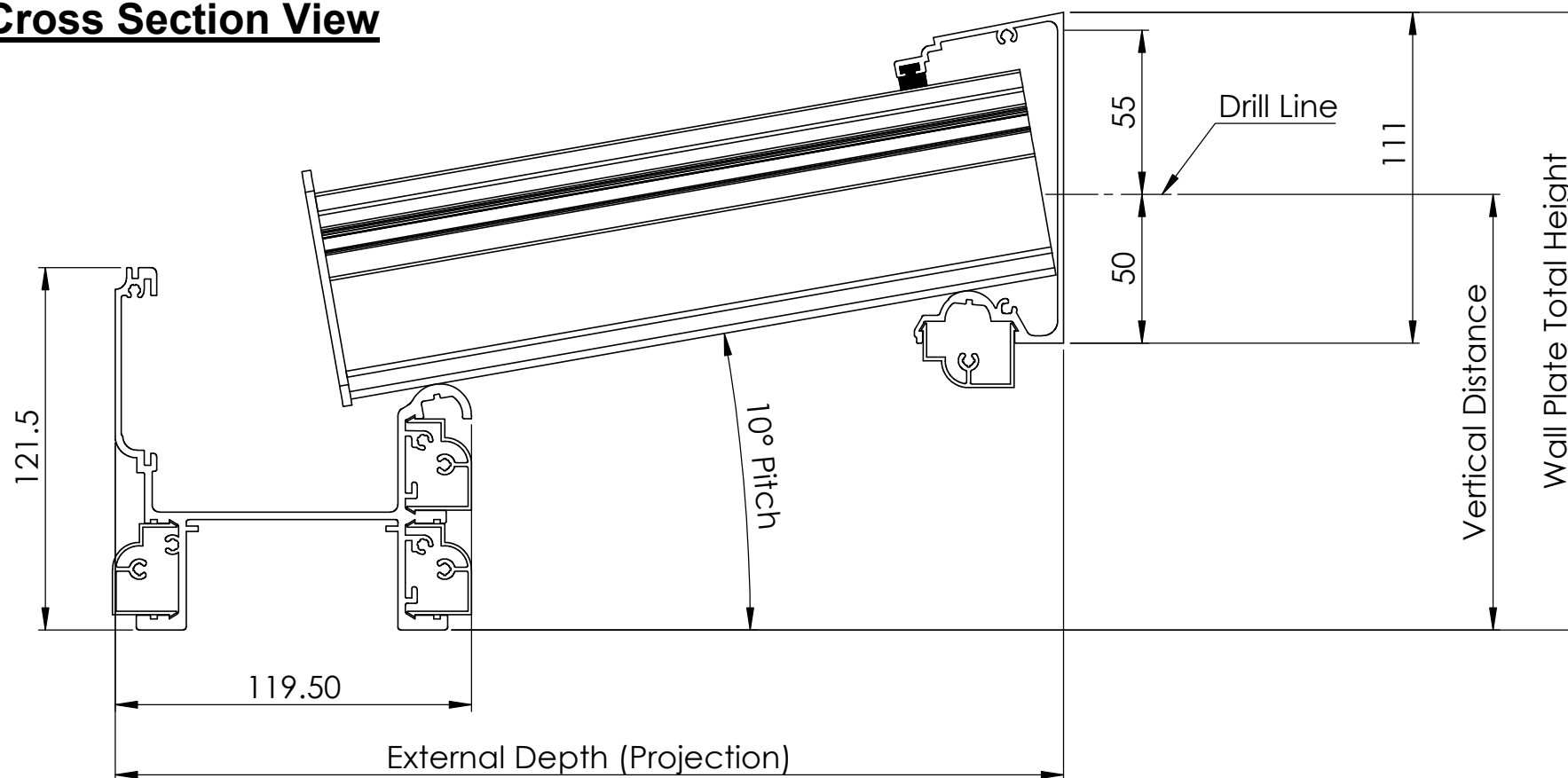
The frame is available, Powder coated.

Please note: This is a standardised product data sheet and is subject to change depending on individual cases, or site specific surveys. Specific drawings are available upon request or on receipt of an order.

Base & Post Connection Information

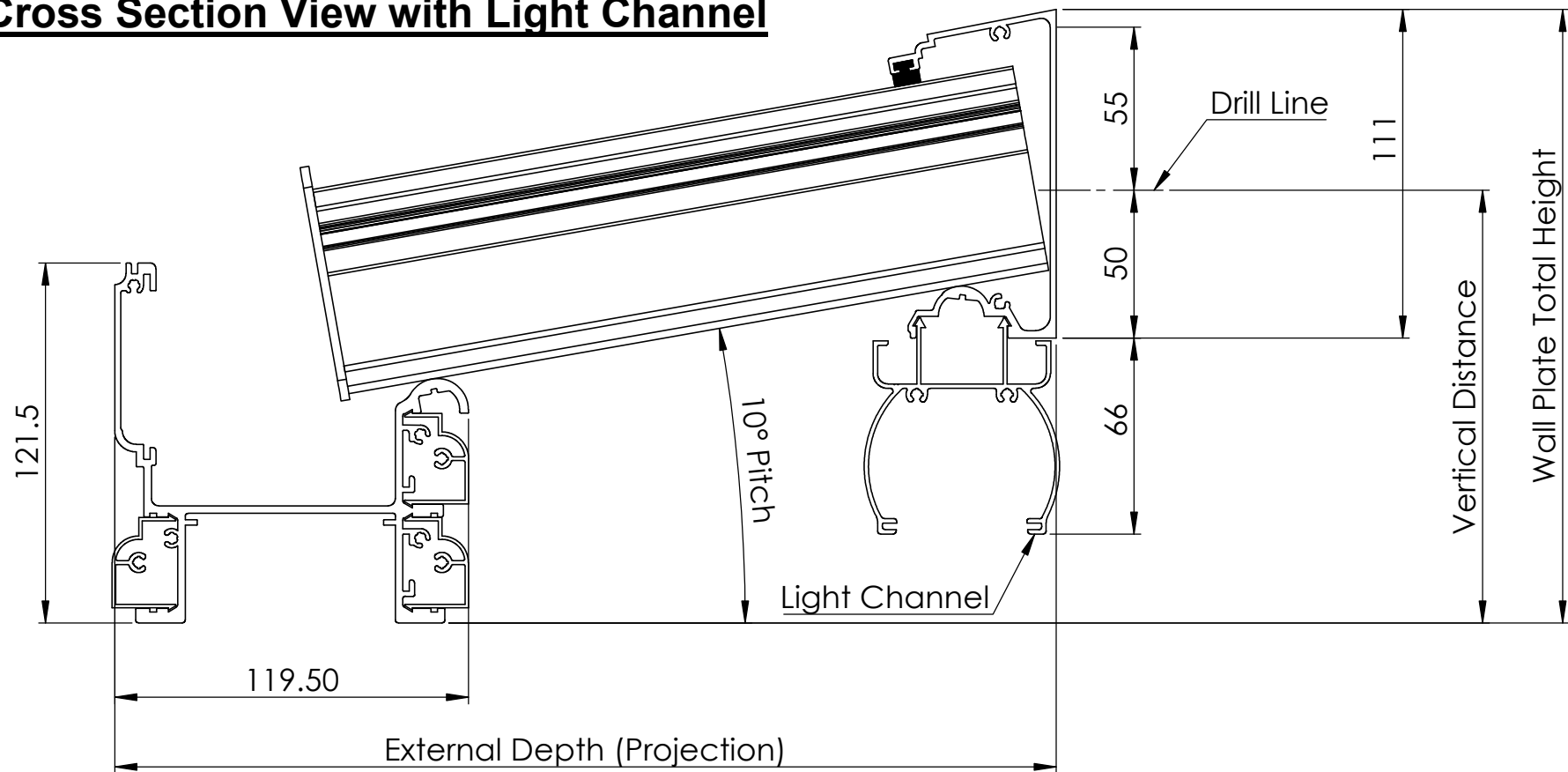


Cross Section View



Example distance to appropriate drill hole on wall plate 10 degree roof pitch.

Cross Section View with Light Channel



Example distance to appropriate drill hole on wall plate 10 degree roof pitch.

Drill Positions for Samson G6

DRILL POSITION FROM UNDERSIDE OF EAVES BEAM GUTTER TO DRILL HOLE ON THE WALL FOR WALL PLATE FIXING.
WE RECOMMEND A MINIMUM HEIGHT OF 2100MM AT THE LOWEST POINT TO THE UNDERSIDE OF THE GUTTER.

Pitch (degree)	2.5°	5°	7.5°	10°	12.5°	15°	17.5°	20°	22.5°	
External Depth (Projection) (mm)	1000	152	190	228	266	305	345	386	428	471
	1250	163	212	261	311	361	412	465	519	574
	1500	174	234	294	355	416	479	543	610	678
	1750	185	256	327	399	472	546	622	701	781
	2000	196	278	360	443	527	613	701	792	885
	2250	207	299	393	487	583	680	780	883	989
	2500	218	321	426	531	638	747	859	974	1092
	2750	229	343	458	575	693	814	938	1065	1196
	3000	240	365	491	619	749	881	1016	1156	1299
	3200	249	383	518	654	793	935	1079	1228	1382
	3500	262	409	557	707	860	1015	1174	1338	1506

ALL DIMENSIONS ABOVE IN MM

