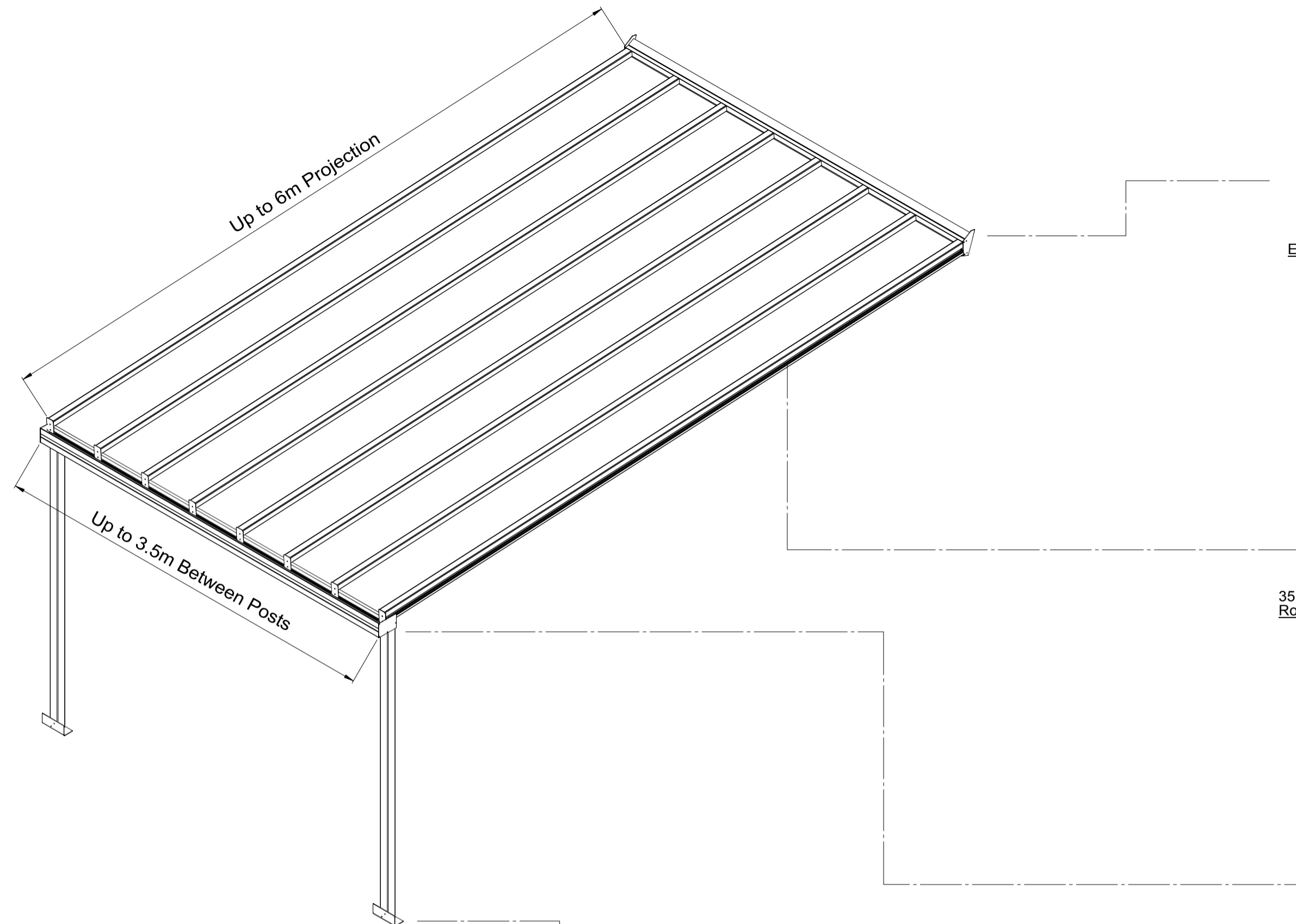
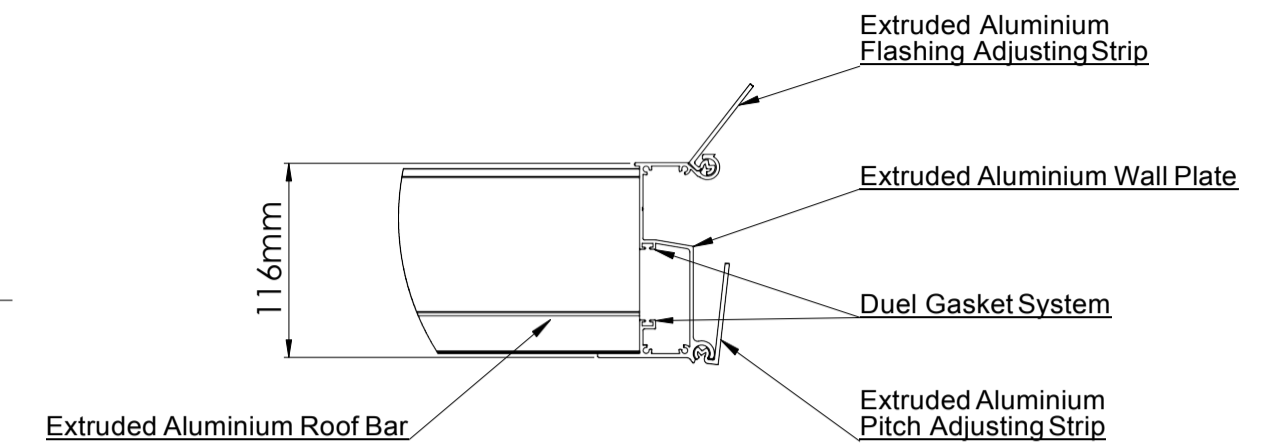


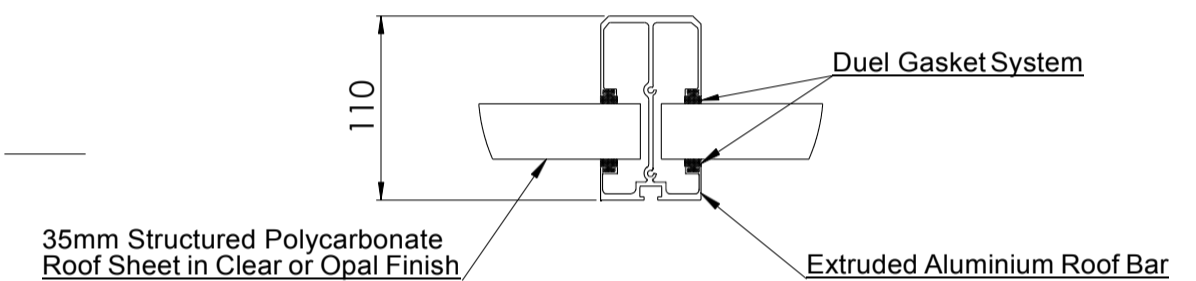
Samson Simplicity 35 Polycarbonate Roof



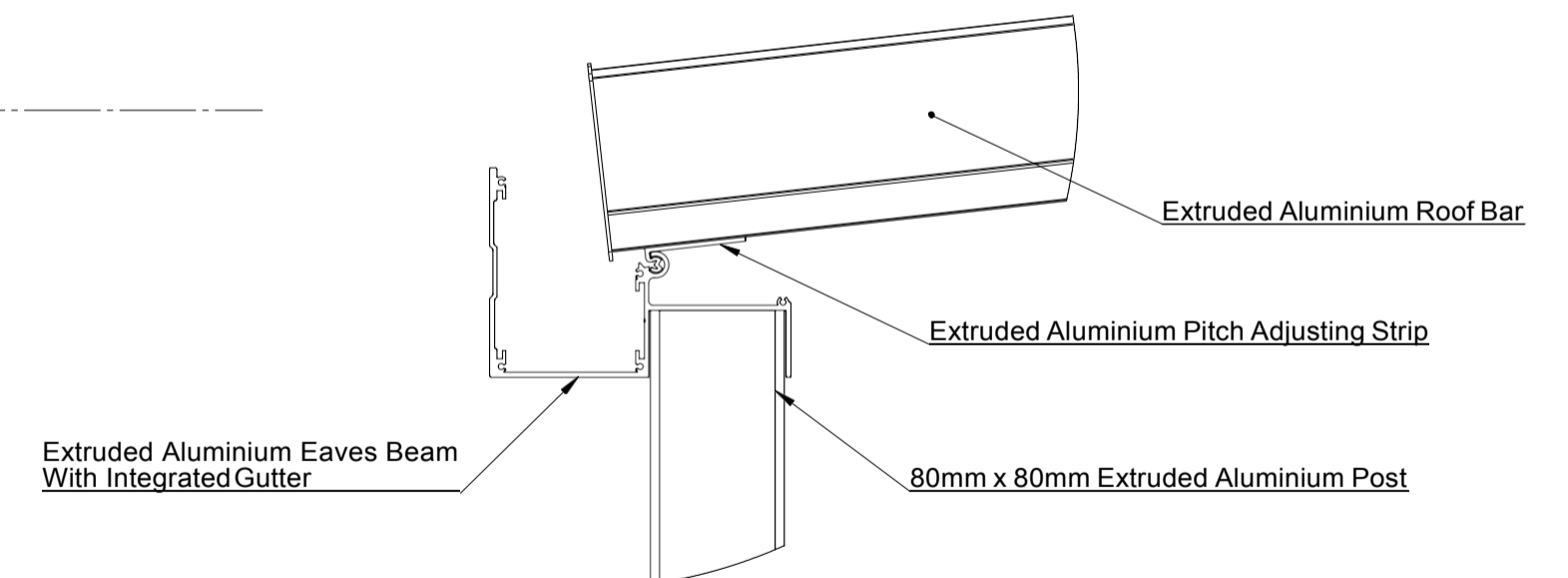
Wall Plate & Roof Bar Section



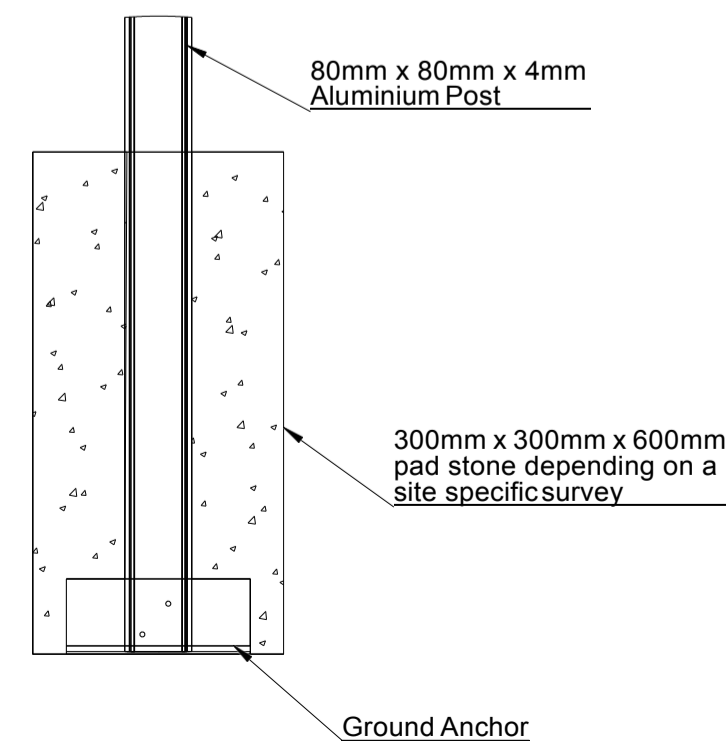
Roof Bar & Sheet Section



Eaves Beam Roof Bar & Post Section



Base & Post Connection Information



Material List & Component Information

- 1, The canopy wall plate is a extruded aluminium profile which fixes to the wall or steel bracket. it is also has a aluminium strip to seal the canopy to the wall.
- 2, This canopy uses 35mm structured polycarbonate roof panels, in clear or opal finish.
- 3, This canopy uses our gasketed 35mm roof system, which is constructed from T6 grade structural aluminium frame.
- 4, The canopy is complete with downpipes. Available white as standard or any standard RAL colour.
- 5, The frame of the canopy is made from 80mm x 80mm x 4mm aluminium box section.

The frame is available, Powder coated.

Please note: This is a standardised product data sheet and is subject to change depending on individual cases, or site specific surveys.

Specific drawings are available upon request or on receipt of an order

Date: 02/03/2016 Revision: v1.3