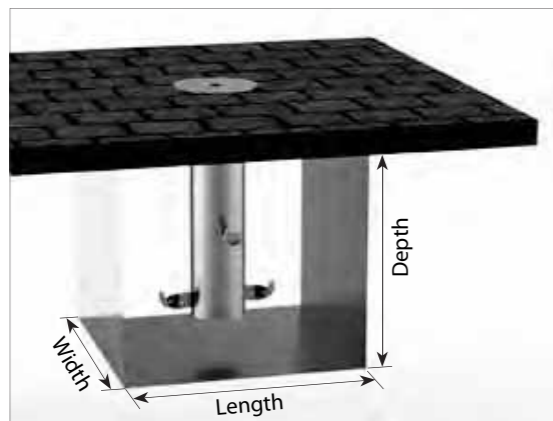
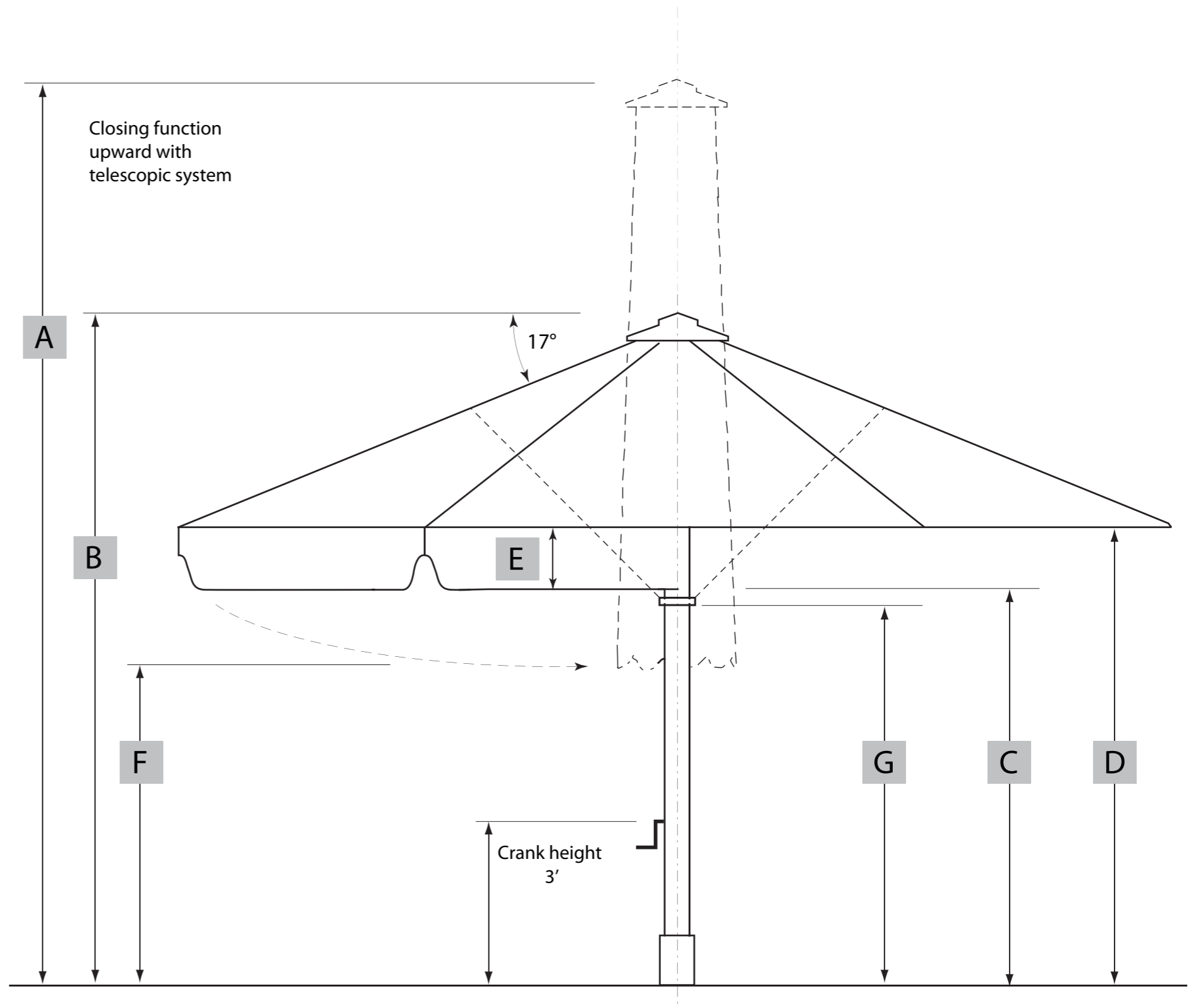


# SCHATTELLO - Sizes and Technical Data

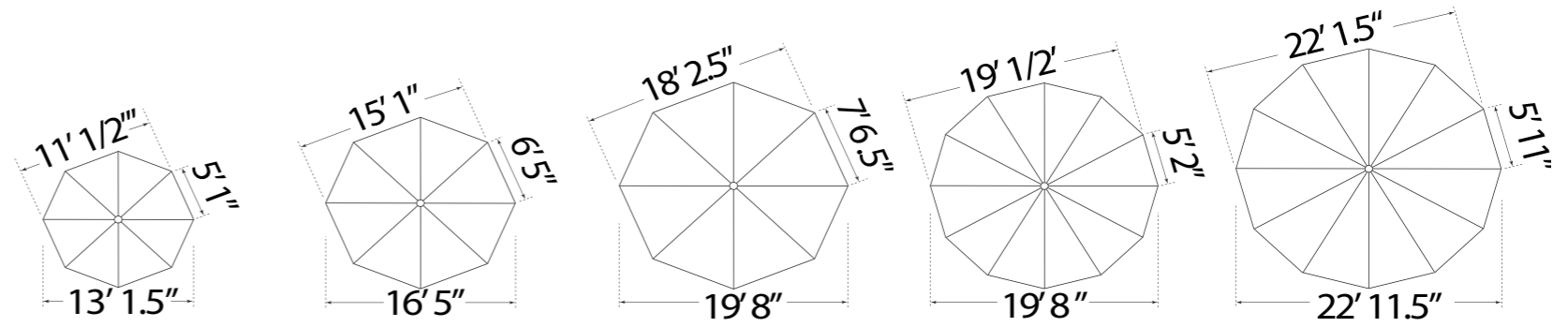
| Installation base and weight |   |   |
|------------------------------|---|---|
| Size of sunshade             | Installation base width/length min. depth | Required weight for mobile installation (incl. frame) |
| Ø 4 m                        | 19 1/2" / 19 1/2" / 23 3/4"               | 1 layer of concrete slabs                             |
| Ø 5 m                        | 19 1/2" / 19 1/2" / 23 3/4"               | 1 layer of concrete slabs                             |
| Ø 6 m                        | 23 3/4" / 23 3/4" / 23 3/4"               | 2 layers of concrete slabs                            |
| Ø 7 m                        | 23 3/4" / 23 3/4" / 23 3/4"               | 2 layers of concrete slabs                            |
| 3 x 3 m                      | 19 1/2" / 19 1/2" / 23 3/4"               | 1 layer of concrete slabs                             |
| 3.5 x 3.5 m                  | 19 1/2" / 19 1/2" / 23 3/4"               | 1 layer of concrete slabs                             |
| 4 x 4 m                      | 19 1/2" / 19 1/2" / 23 3/4"               | 1 layer of concrete slabs                             |
| 4.5 x 4.5                    | 19 1/2" / 19 1/2" / 23 3/4"               | 1 layer of concrete slabs                             |
| 5 x 5 m                      | 23 3/4" / 23 3/4" / 23 3/4"               | 2 layers of concrete slabs                            |



Above:  
3D-view of installation base with top plate for winter protection. Base must be frost-proof and enlarged if the ground is unstable.



# SCHATTELLO - Sizes and Technical Data



| SCHATTELLO - round       |                                  | Ø 4.0 m         | Ø 5.0 m  | Ø 6.0 m   | Ø 6.0 m | Ø 7.0 m |         |
|--------------------------|----------------------------------|-----------------|----------|-----------|---------|---------|---------|
| Segments                 |                                  | 8               | 8        | 8         | 12      | 12      |         |
| Area                     |                                  | ft <sup>2</sup> | 129'     | 205'      | 291'    | 301'    | 409'    |
| <b>A</b>                 | Height closed incl. top plate    | ft              | 13' 5.5" | 13' 11.5" | 14' 5"  | 14' 9"  | 15' 3"  |
| <b>B</b>                 | Height opened incl. top plate    | ft              | 9' 11.5" | 10' 5"    | 10' 11" | 11' 3"  | 11' 9"  |
| <b>C</b>                 | Headroom with valance            | ft              | 6' 8.5"  | 6' 8.5"   | 6' 6.5" | 6' 8.5" | 6' 8.5" |
| <b>D</b>                 | Headroom without valance         | ft              | 7' 5.5"  | 7' 5.5"   | 7' 3.5" | 7' 9.5" | 7' 9.5" |
| <b>E</b>                 | Height of valance                | ft              | 11"      | 11"       | 11"     | 11"     | 11"     |
| <b>F</b>                 | Ground clearance from spoke edge | ft              | 6' 4"    | 5' 2"     | 4' 1/2" | 4' 4"   | 2' 9.5" |
| <b>G</b>                 | Height of lower disc flange      | ft              | 6'       | 6' 6"     | 7'      | 7' 4"   | 7' 9.5" |
| Weight without packaging |                                  | lbs             | 60       | 84        | 99      | 115     | 128     |

Support pole diameter

Outer Ø 76 mm - aprox. 3" ( pole thickness 3 mm - aprox. 1/8")

Spoke dimensions

1 3/8" x 3/4" x 1/16"

Support strut dimensions

1 13/16" x 3/4" x 1/16"

Packaging: cardboard sleeve

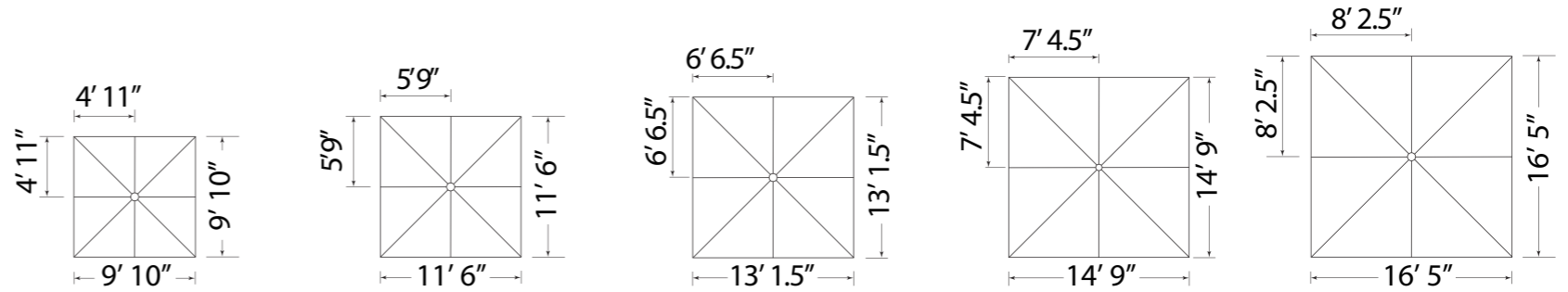
8 segment: 38 lbs, Ø1' 1", Length 14' 6 3/4"

12 segment: 40 lbs, Ø 1' 1 3/4", Length 14' 6 3/4"

All dimensions are metric conversions and have been rounded to nearest 1/2".  
If exact dimensions are required, see the May catalogue for exact metric dimensions.

Intermediate and special sizes on request.  
See page 27 for Schattello specifications diagram.

# SCHATTELLO - Sizes and Technical Data



| SCHATTELLO - square      |                                  |    | 3.0 m x 3.0 m   | 3.5 m x 3.5 m | 4.0 m x 4.0 m | 4.5 m x 4.5 m | 5.0 m x 5.0 m |      |
|--------------------------|----------------------------------|----|-----------------|---------------|---------------|---------------|---------------|------|
| Segments                 |                                  |    | 8               | 8             | 8             | 12            | 12            |      |
| Area                     |                                  |    | ft <sup>2</sup> | 97'           | 132'          | 172'          | 218'          | 269' |
| <b>A</b>                 | Height closed incl. top plate    | ft | 13' 5.5"        | 13' 8.5"      | 13' 11.5"     | 14' 2.5"      | 14' 5"        |      |
| <b>B</b>                 | Height opened incl. top plate    | ft | 9' 10"          | 10' 1.5"      | 10' 4"        | 10' 7"        | 10' 10"       |      |
| <b>C</b>                 | Headroom with valance            | ft | 7' 1/2"         | 7' 1/2"       | 7' 1/2"       | 7' 1/2"       | 7' 1/2"       |      |
| <b>D</b>                 | Headroom without valance         | ft | 7' 9.5"         | 7' 9.5"       | 7' 9.5"       | 7' 9.5"       | 7' 9.5"       |      |
| <b>E</b>                 | Height of valance                | ft | 11"             | 11"           | 11"           | 11"           | 11"           |      |
| <b>F</b>                 | Ground clearance from spoke edge | ft | 5' 11"          | 5' 1/2"       | 3' 11"        | 3' 2"         | 2' 1/2"       |      |
| <b>G</b>                 | Height of lower disc flange      | ft | 8' 3"           | 6' 3"         | 6' 6"         | 6' 8"         | 7'            |      |
| Weight without packaging |                                  |    | lbs             | 55            | 75            | 95            | 115           | 128  |

Support pole diameter

Outer Ø 76 mm - aprox. 3" (pole thickness 3 mm - aprox. 1/8")

Spoke dimensions

1 3/8" x 3/4" x 1/16"

Support strut dimensions

1 13/16" x 3/4" x 1/16"

Packaging: cardboard sleeve

8 segment: 38 lbs, Ø1' 1", Length 14' 6 3/4"

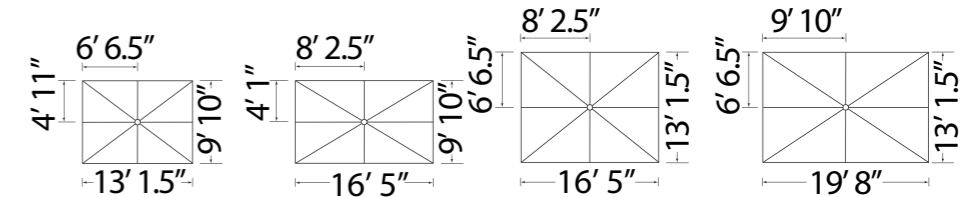
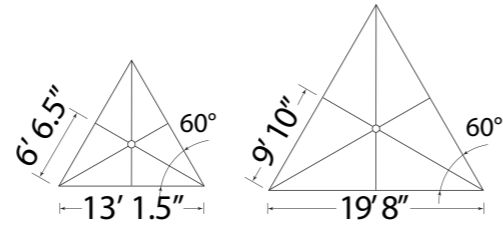
12 segment: 40 lbs, Ø 1' 1 3/4", Length 14' 6 3/4"

All dimensions are metric conversions and have been rounded to nearest 1/2".  
If exact dimensions are required, see the May catalogue for exact metric dimensions.

Intermediate and special sizes on request.

See page 27 for Schattello specifications diagram.

# SCHATTELLO - Sizes and Technical Data



| SCHATTELLO - triangular      |                                     | 4x4x4 m | 6x6x6 m |
|------------------------------|-------------------------------------|---------|---------|
| Segments                     |                                     | 6       | 6       |
| Area ft <sup>2</sup>         |                                     | 74'     | 168'    |
| A                            | Height closed incl. top plate ft    | 12' 10" | 13' 2"  |
| B                            | Height opened incl. top plate ft    | 9' 4"   | 9' 8"   |
| C                            | Headroom with valance ft            | 7' 1/2" | 7' 1/2" |
| D                            | Headroom without valance ft         | 7' 9.5" | 7' 9.5" |
| E                            | Height of valance ft                | 11"     | 11"     |
| F                            | Ground clearance from spoke edge ft | 5'      | 1' 8"   |
| G                            | Height of lower disc flange ft      | 7' 8"   | 6'      |
| Weight without packaging lbs |                                     | 60      | 88      |

| SCHATTELLO - rectangular     |                                     | 3.0 x 4.0 m | 3.0x5.0 m | 4.0x5.0 m | 4.0x6.0 m |
|------------------------------|-------------------------------------|-------------|-----------|-----------|-----------|
| Segments                     |                                     | 8           | 8         | 8         | 8         |
| Area ft <sup>2</sup>         |                                     | 129'        | 162'      | 215'      | 258'      |
| A                            | Height closed incl. top plate ft    | 13' 2.5"    | 13' 2.5"  | 13' 11.5" | 14' 1.5"  |
| B                            | Height opened incl. top plate ft    | 9' 8"       | 9' 8"     | 10' 5"    | 10' 7"    |
| C                            | Headroom with valance ft            | 7' 1/2"     | 7' 1/2"   | 7' 1/2"   | 7' 1/2"   |
| D                            | Headroom without valance ft         | 7' 9.5"     | 7' 9.5"   | 7' 9.5"   | 7' 9.5"   |
| E                            | Height of valance ft                | 11"         | 11"       | 11"       | 11"       |
| F                            | Ground clearance from spoke edge ft | 4' 3"       | 3' 1.5"   | 2' 8.5"   | 1' 8.5"   |
| G                            | Height of lower disc flange ft      | 8' 1/2"     | 8' 1/2"   | 6' 6"     | 6' 8"     |
| Weight without packaging lbs |                                     | 62          | 71        | 79        | 88        |

Support pole diameter for both Schattello triangular and rectangular: Outer Ø 76 mm - aprox. 3" ( pole thickness 3 mm - aprox. 1/8")

Spoke dimensions 1 3/8" x 3/4" x 1/16"

Support strut dimensions 1 13/16" x 3/4" x 1/16"

Packaging: cardboard sleeve 38 lbs, Ø1' 1", Length 14' 6 3/4"

The heights specified are for sunshades with Acrylic canopies that are mounted in an anchor tube (SZ118, SZ121, SZ150). The increase in height for sun shades with other installation bases can be seen in the list at right:

Spoke dimensions 1 3/8" x 3/4" x 1/16"

Support strut dimensions 1 13/16" x 3/4" x 1/16"

Packaging: cardboard sleeve 38 lbs, Ø1' 1", Length 14' 6 3/4"

- Full Frame Pedestal: SZ411 + 3.5"
- Full Frame Pedestal: SZ412 + 5"
- Full Frame Pedestal: SZ414 + 6"
- Full Frame Pedestal: SZ201 + 5.5"
- Full Frame Pedestal: SZ203 + 6.5"
- Full Frame Pedestal: SZ205 + 8"
- Anchor Plate with Hinge: SZ131 + 1/2"
- Anchor Plate: SZ261 + 2"

All dimensions are metric conversions and have been rounded to nearest 1/2". If exact dimensions are required, see the May catalogue for exact metric dimensions.

Intermediate and special sizes on request.

See opposite page for Schattello specifications diagram.