

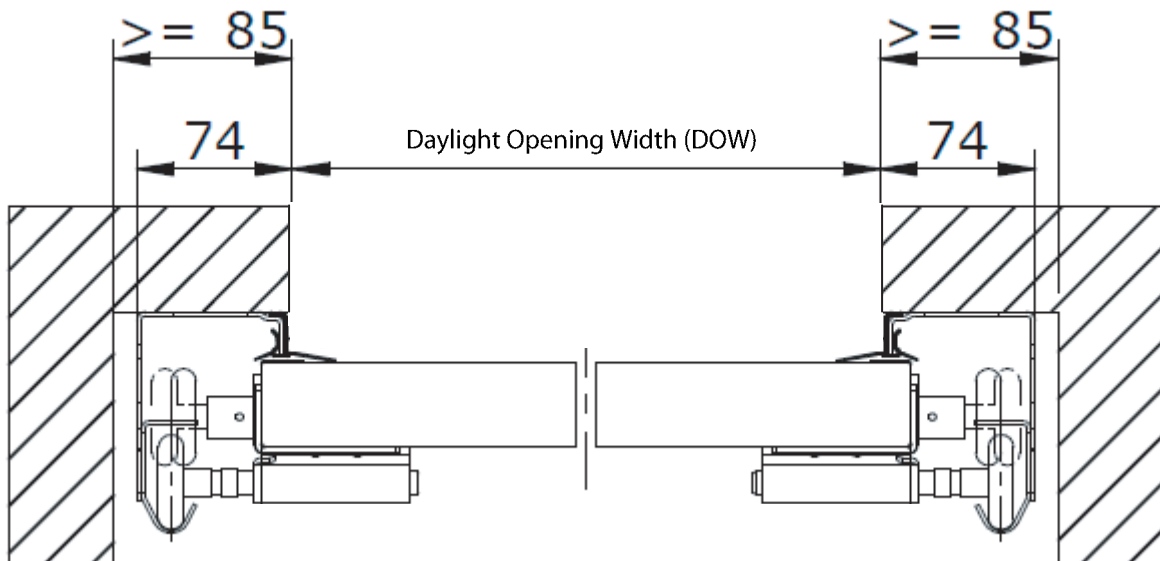
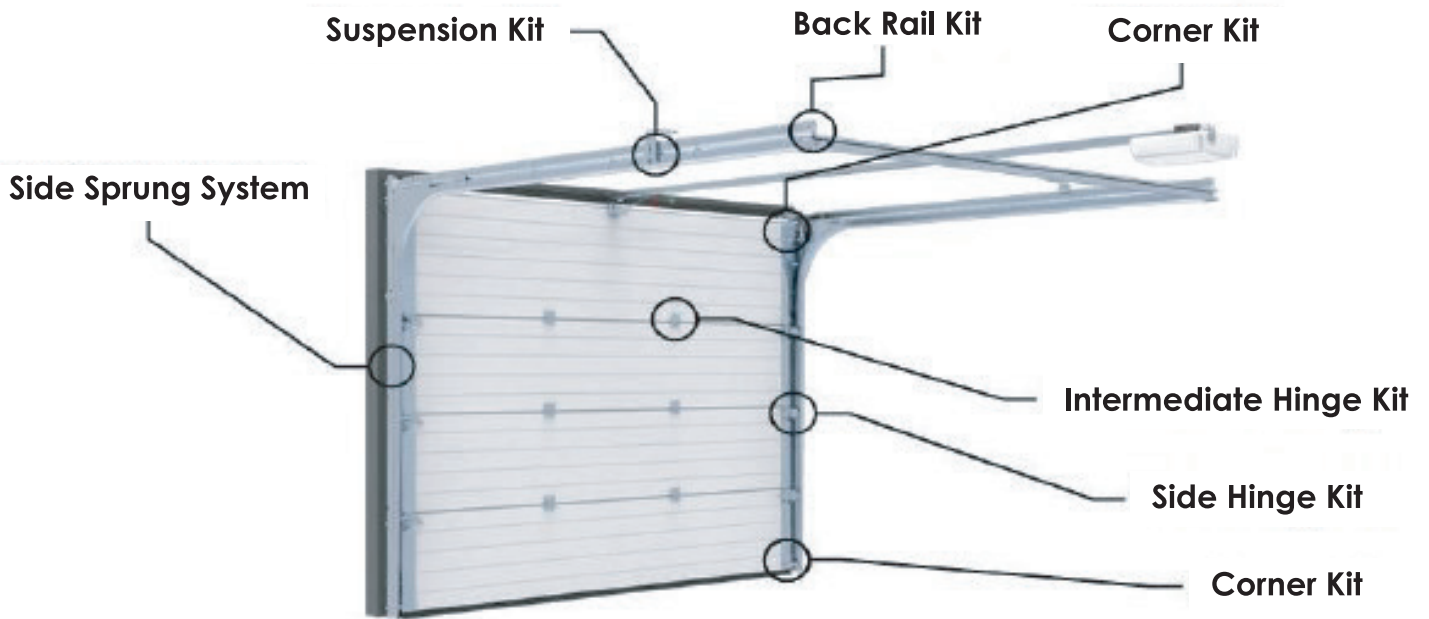


# SeceuroGlide Sectional Elite Fitting Instructions

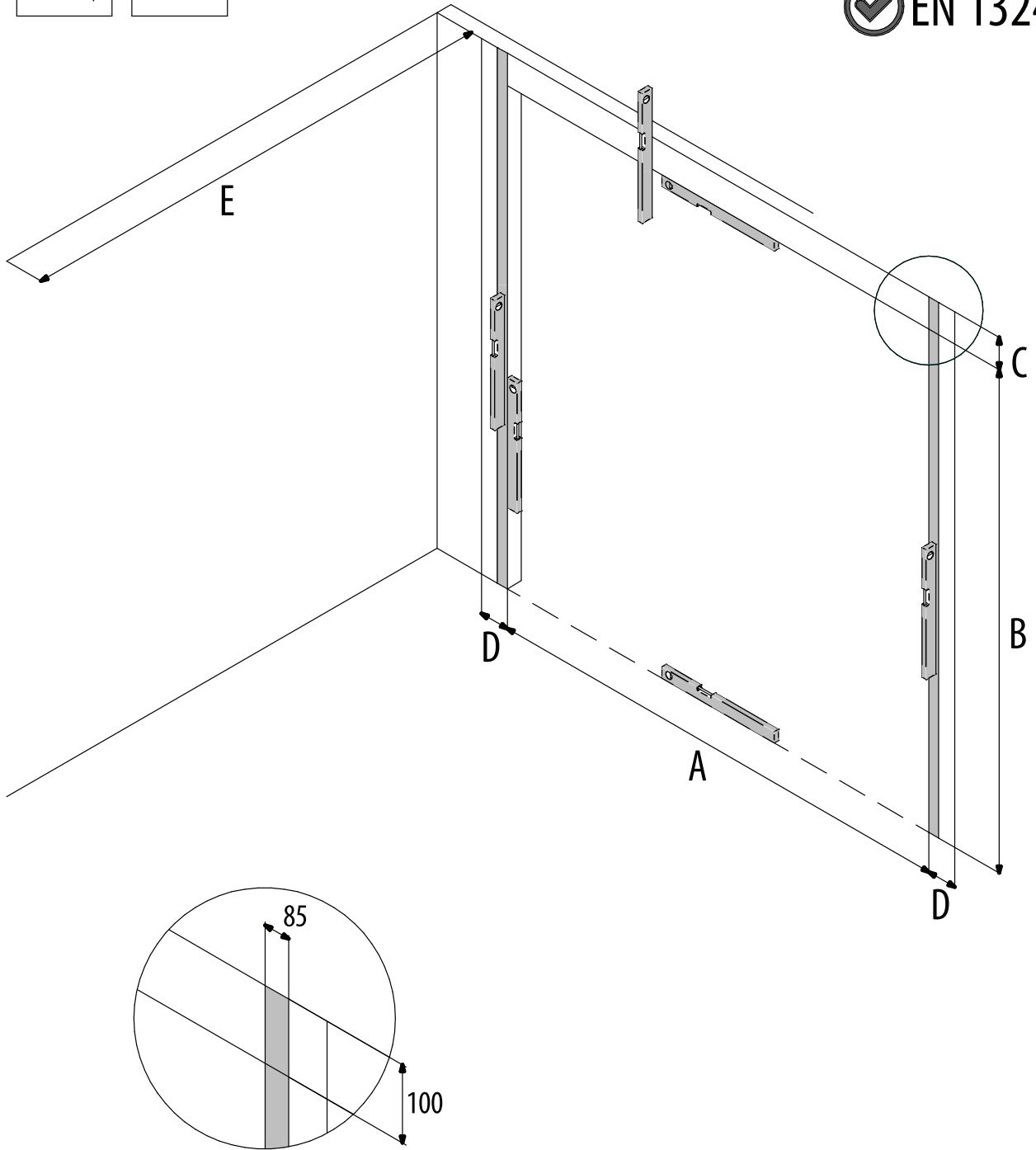
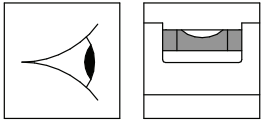


**SeceuroGlide** | Sectional Elite  
Side Mounted System

# Fitter's Information Pack - SeceuroGlide Sectional Elite



- ✔ EN 12604
- ✔ EN 12453
- ✔ EN 13241



| A              | B               | C              | D              | E                  |
|----------------|-----------------|----------------|----------------|--------------------|
| <b>DLW</b>     | <b>DLH</b>      | <b>FHR</b>     | <b>FSR</b>     | <b>FMD</b>         |
| Daylight Width | Daylight Height | Free Head Room | Free Side Room | Free Mounting Dept |

9642



Only remove wing screw after mounting door leaf (without top section).  
**ATTENTION !!**

The springs are pre-tensioned !!

Der Flügelschraube erst nach Torblattmontage (ohne Obere Sektion) entfernen.  
**ACHTUNG !!**

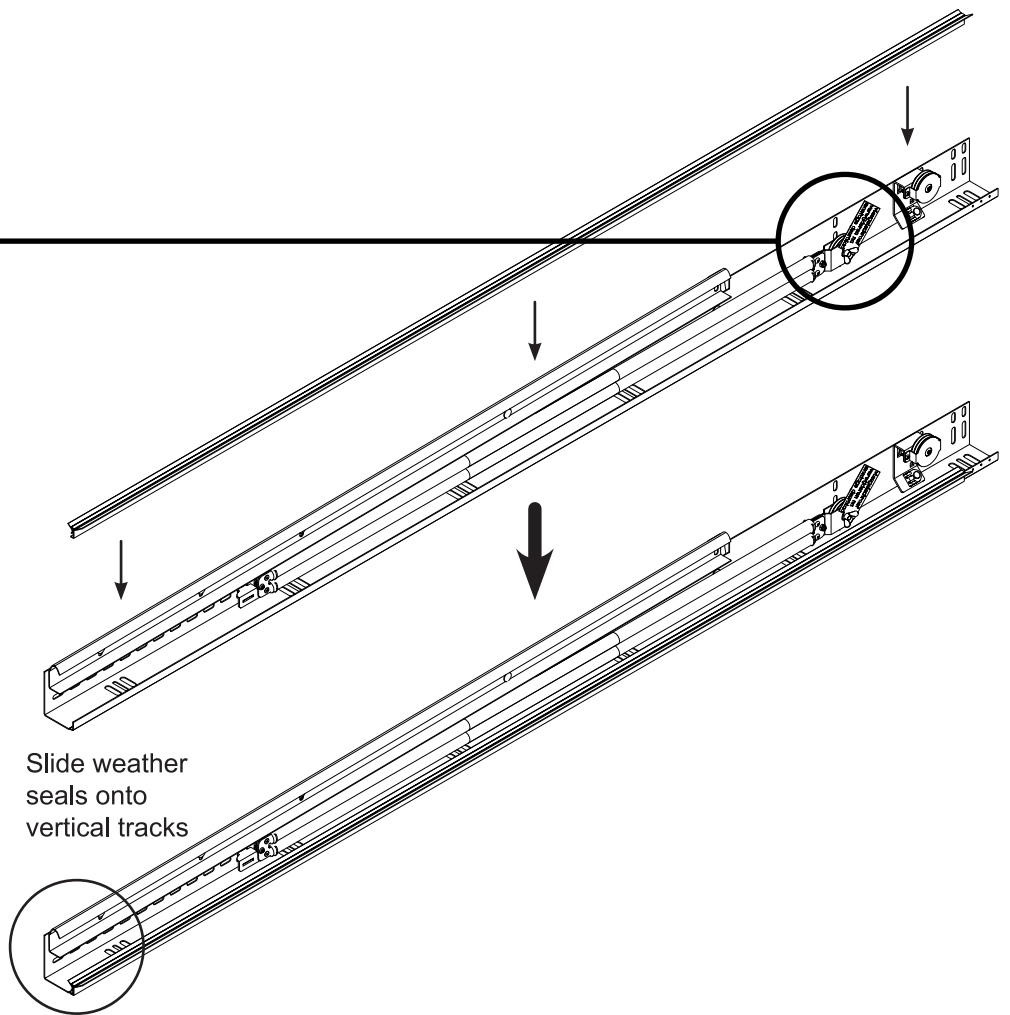
Die Federn haben Vorspannung !!

Enlever la vis à oreilles une fois le tablier (sans la section haute) monté.  
**ATTENTION !!**

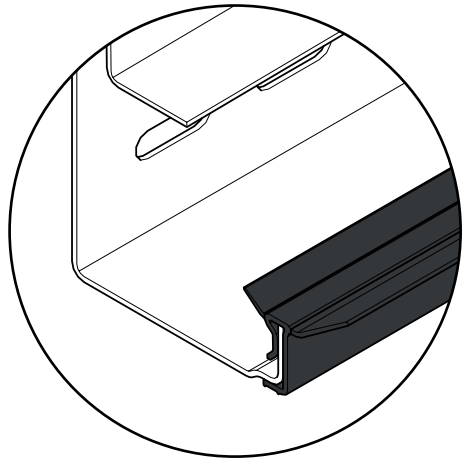
Les ressorts sont pré-tendus !!

Vleugelschroef pas verwijderen na montage deurblad (zonder topsectie).  
**LET OP !!**

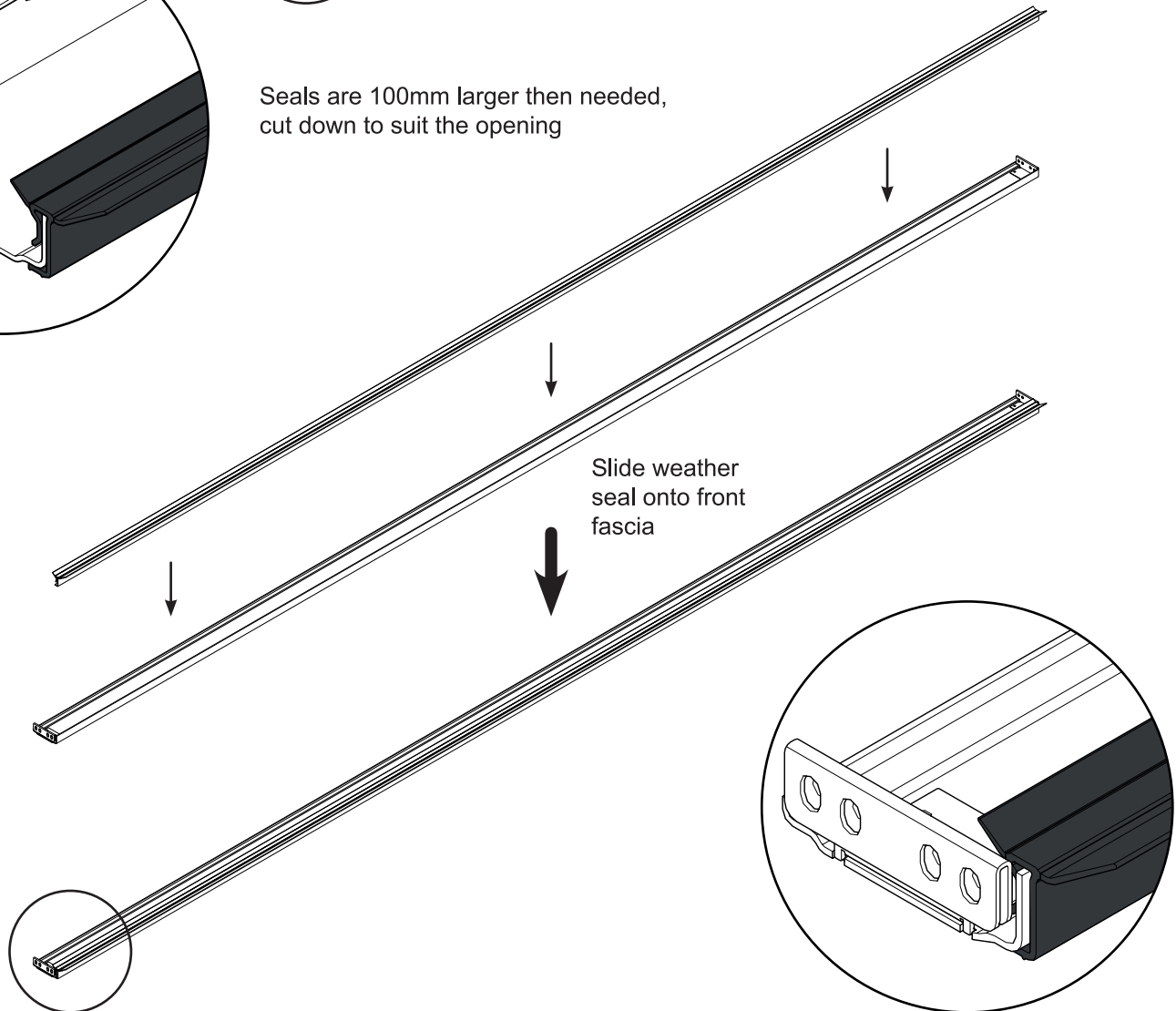
De veren zijn voorgespannen !!



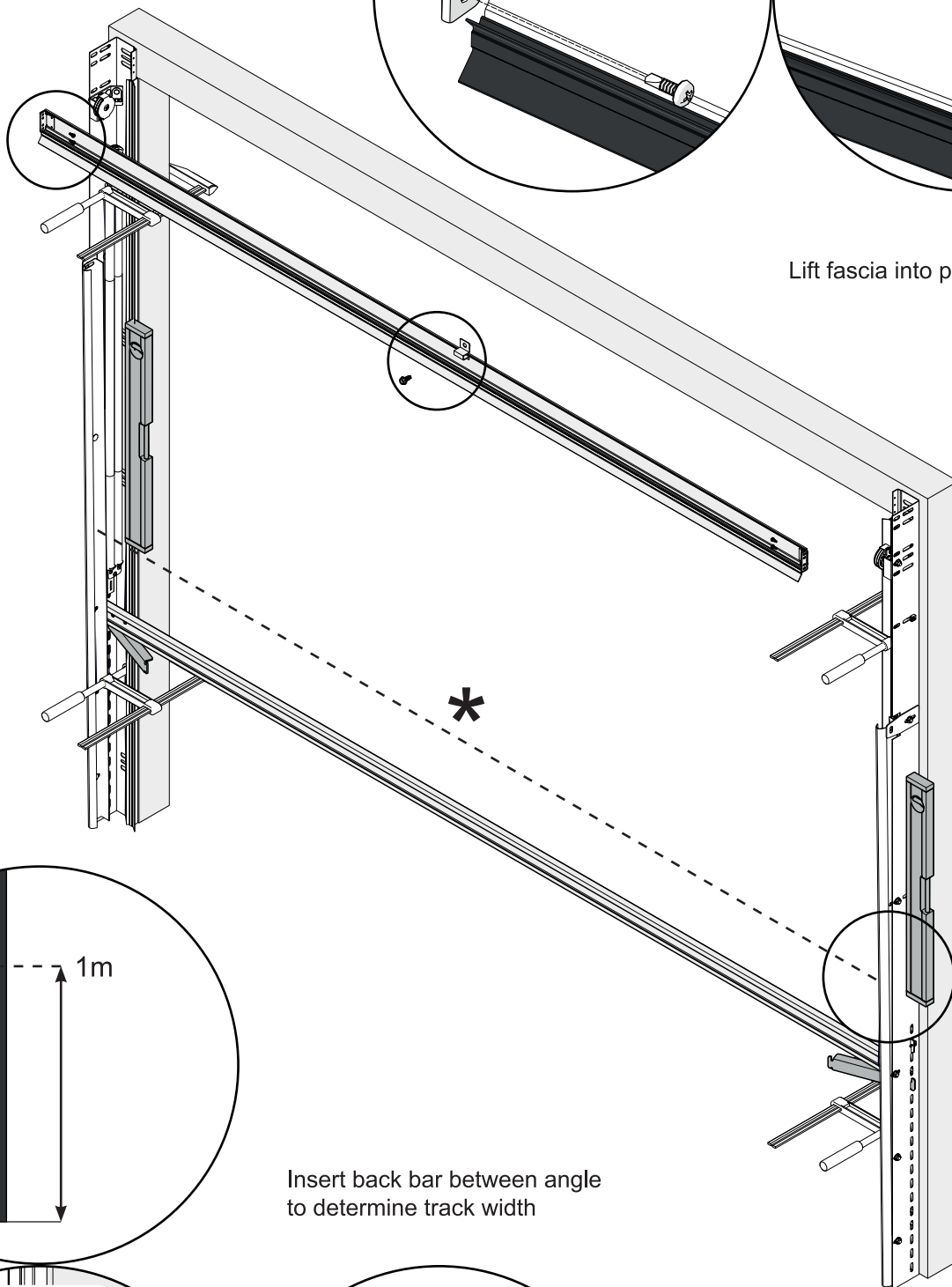
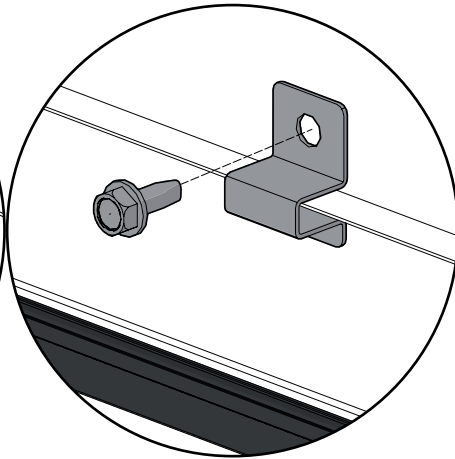
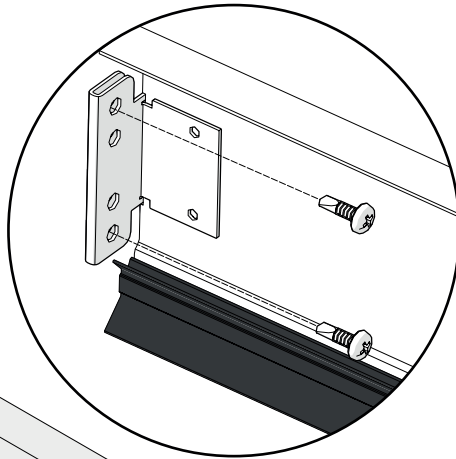
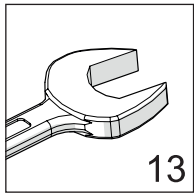
Slide weather seals onto vertical tracks



Seals are 100mm larger then needed, cut down to suit the opening

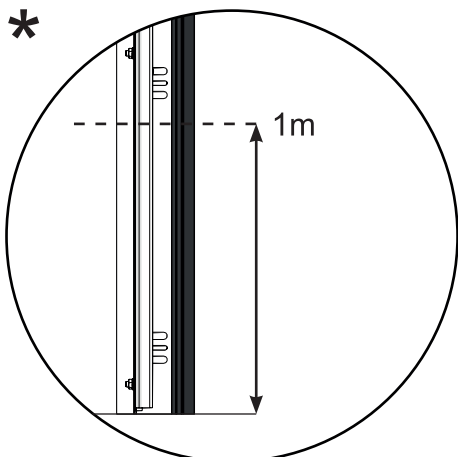


Slide weather seal onto front fascia

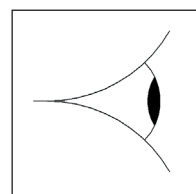
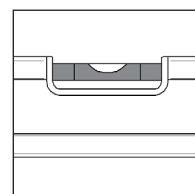
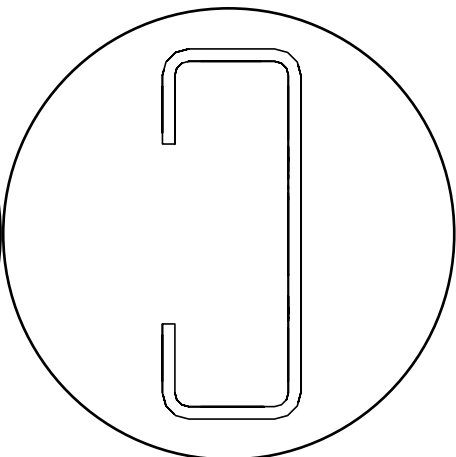
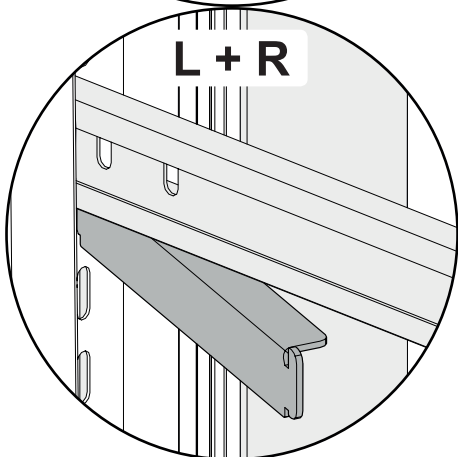


Lift fascia into place and secure

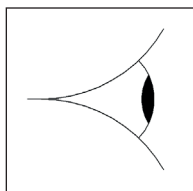
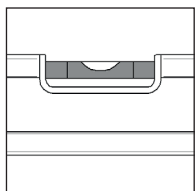
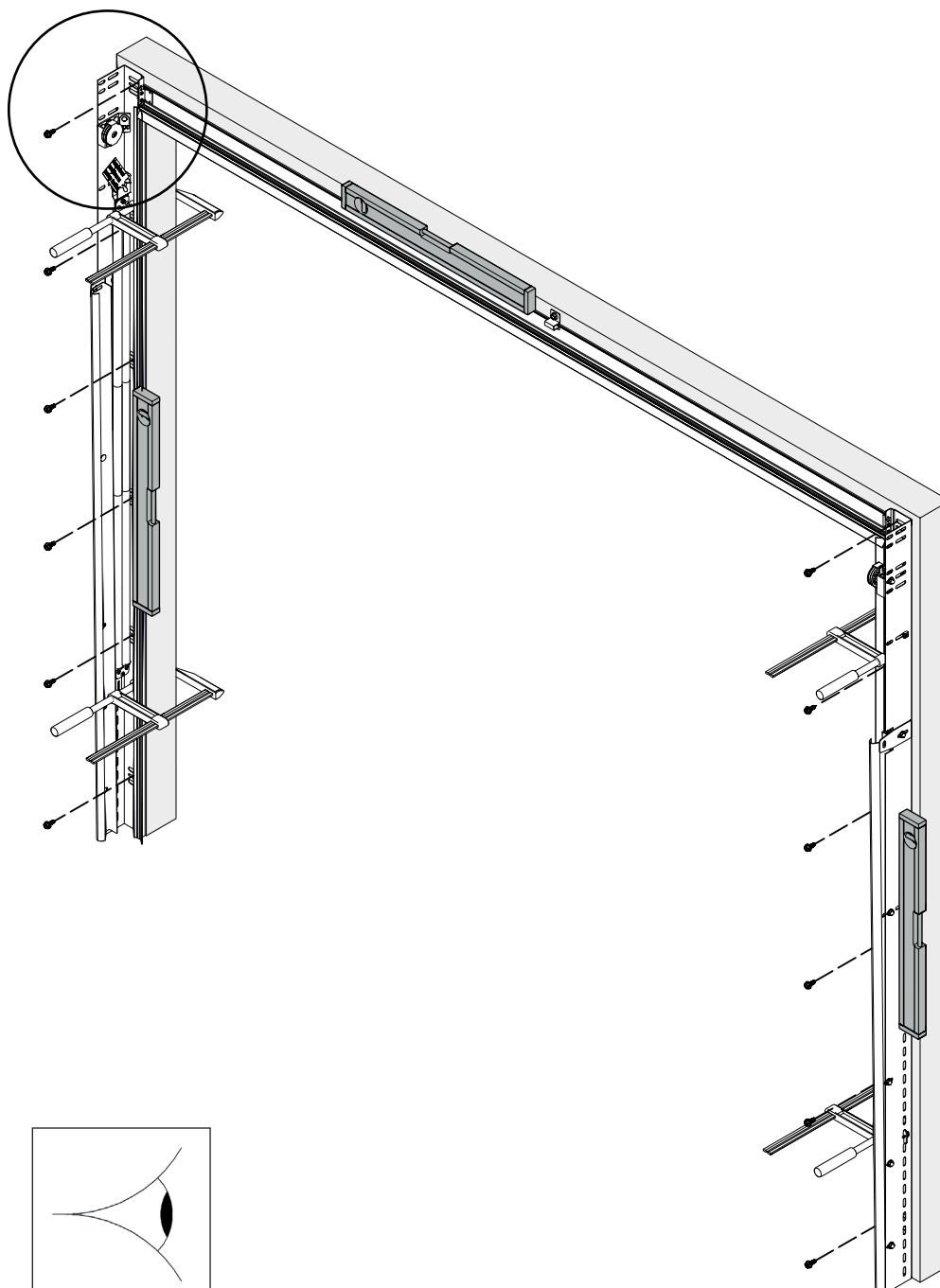
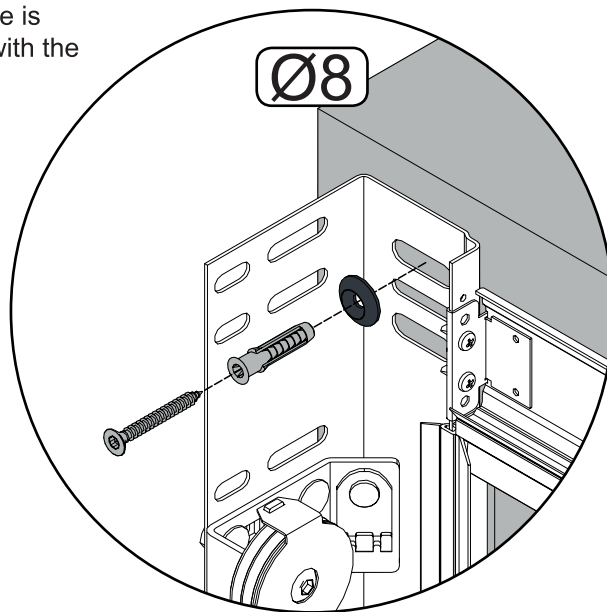
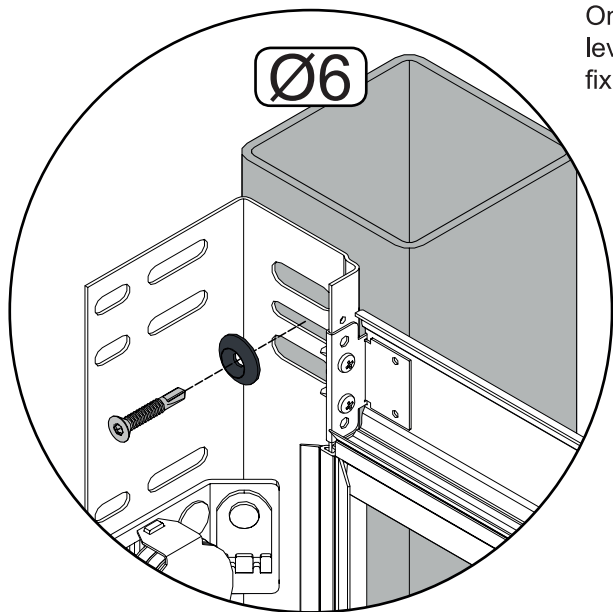
Clamp tracks to the wall

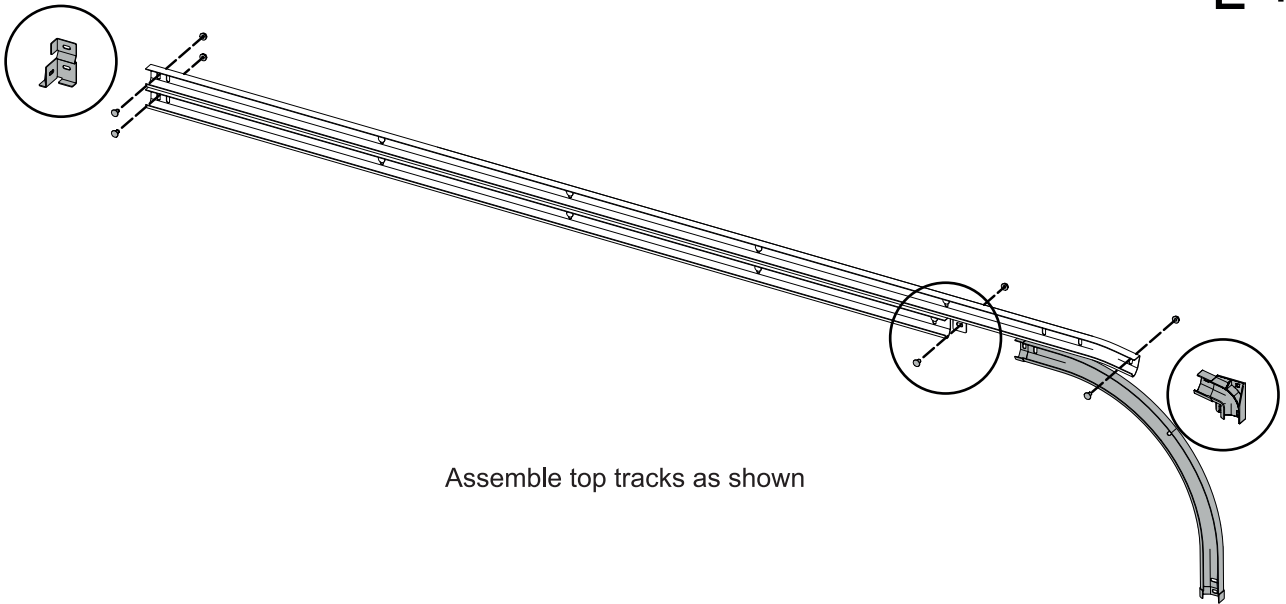


Insert back bar between angle to determine track width

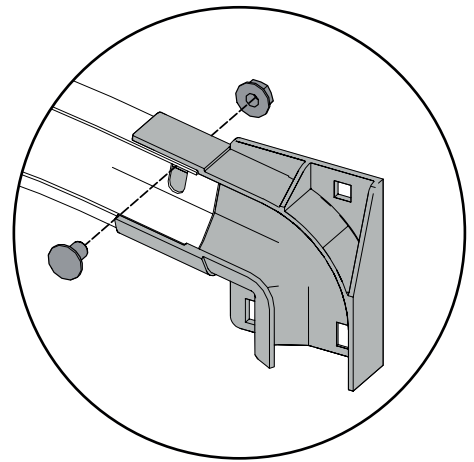
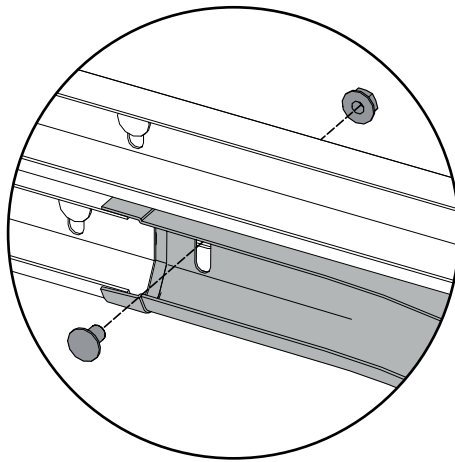
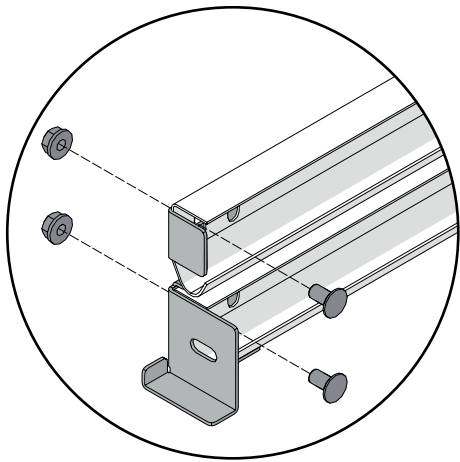


Once the frame is level, secure with the fixings below

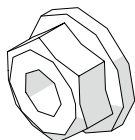
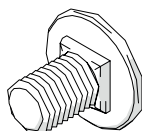
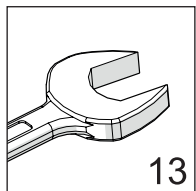
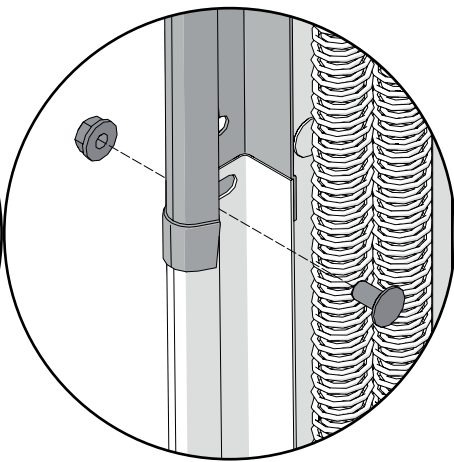
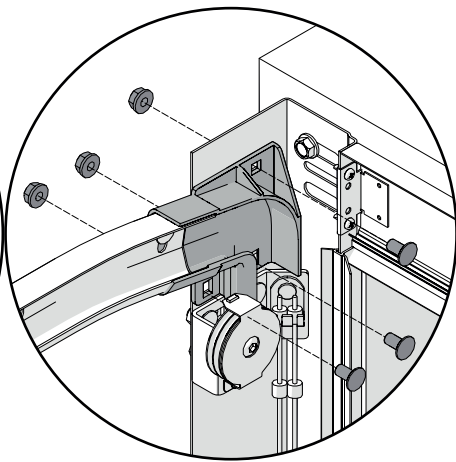
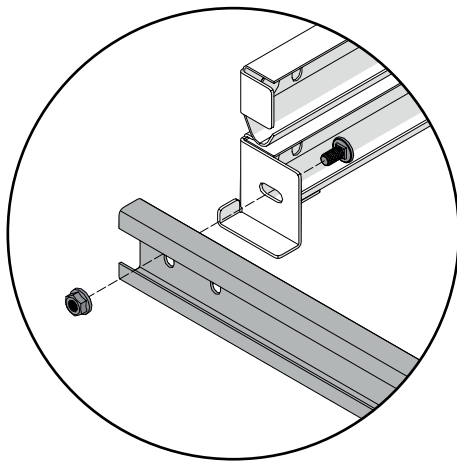
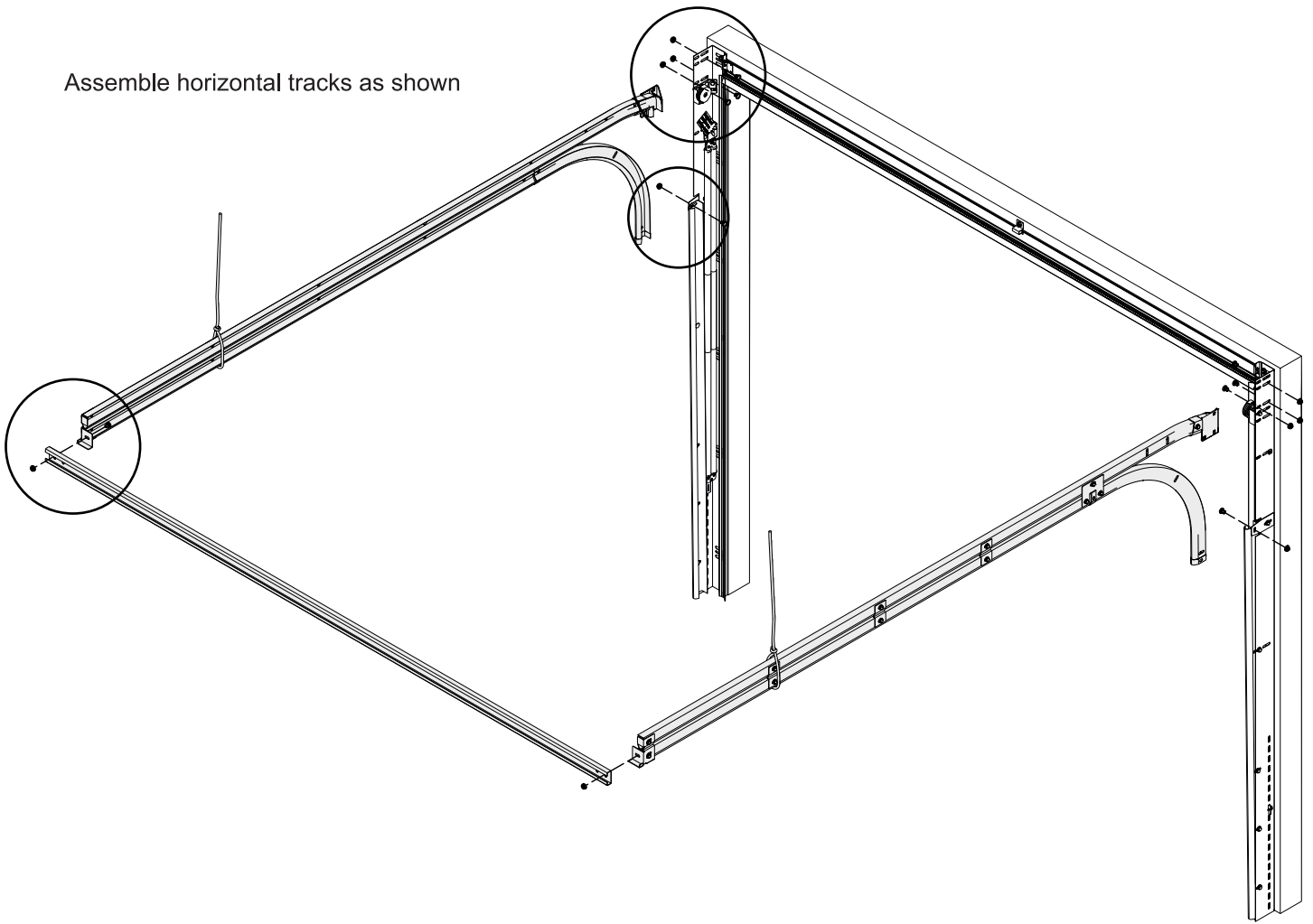




Assemble top tracks as shown

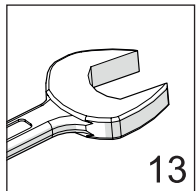
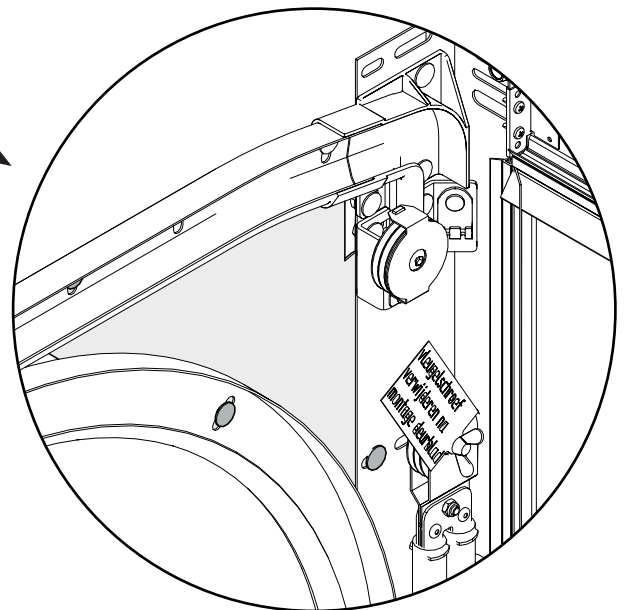
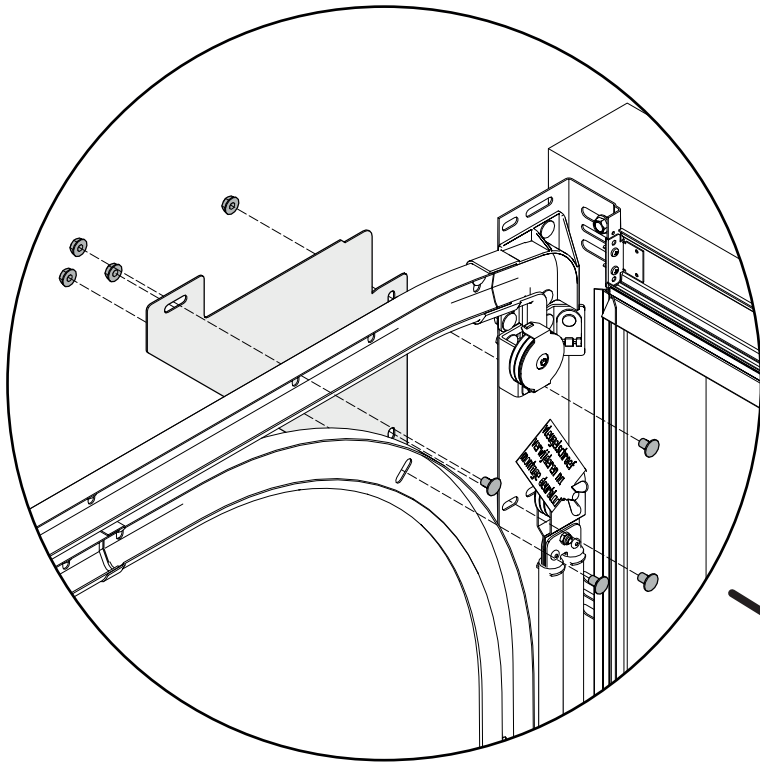
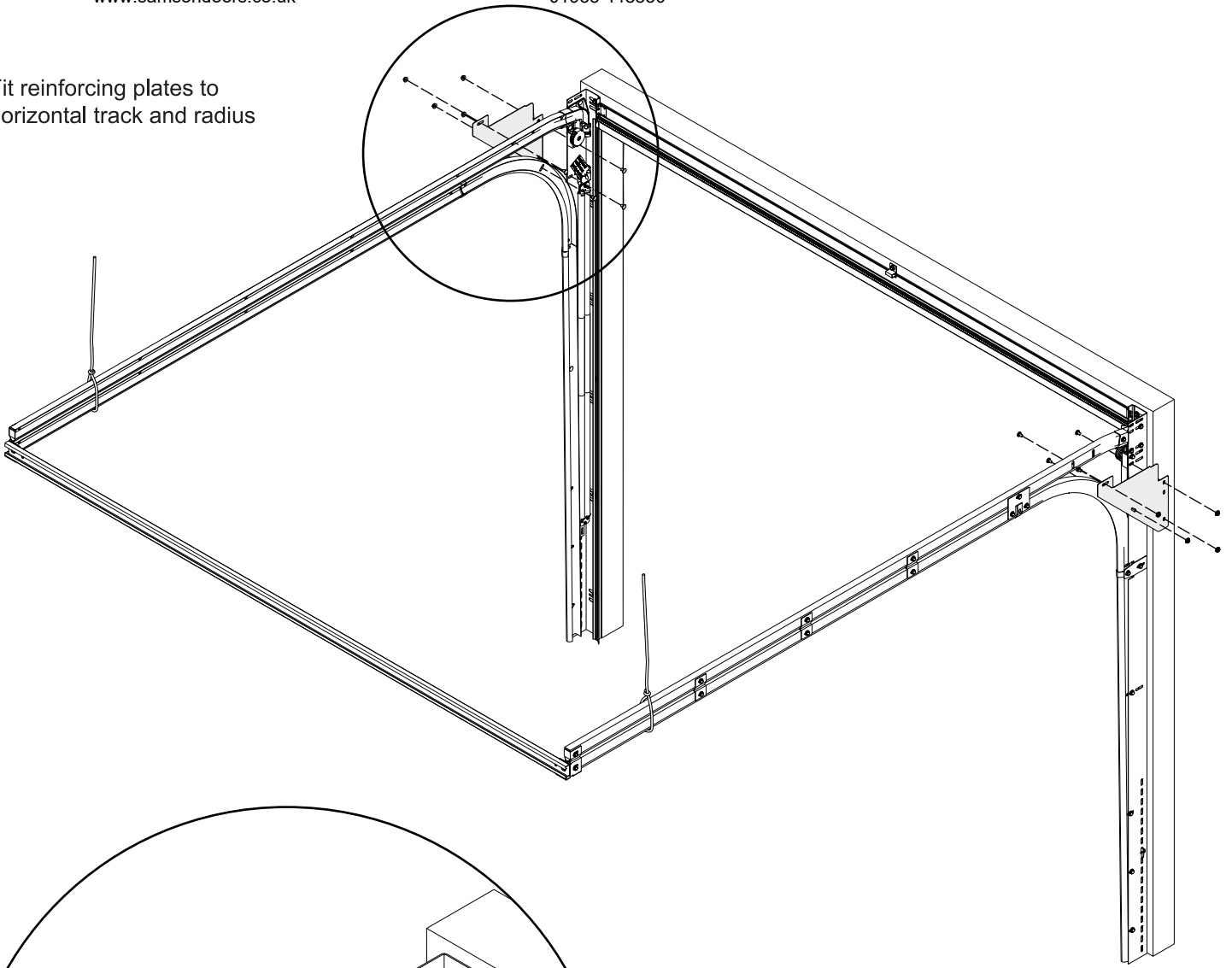


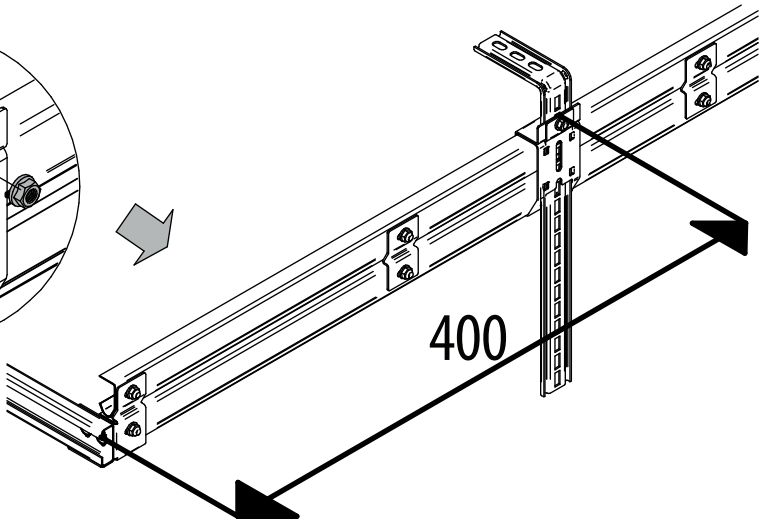
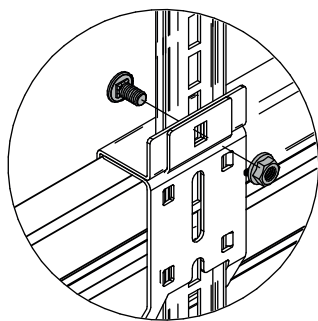
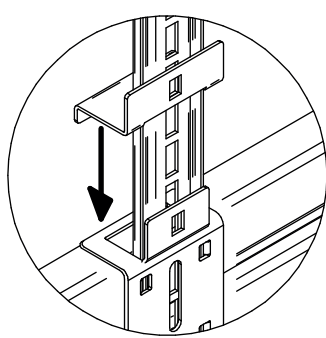
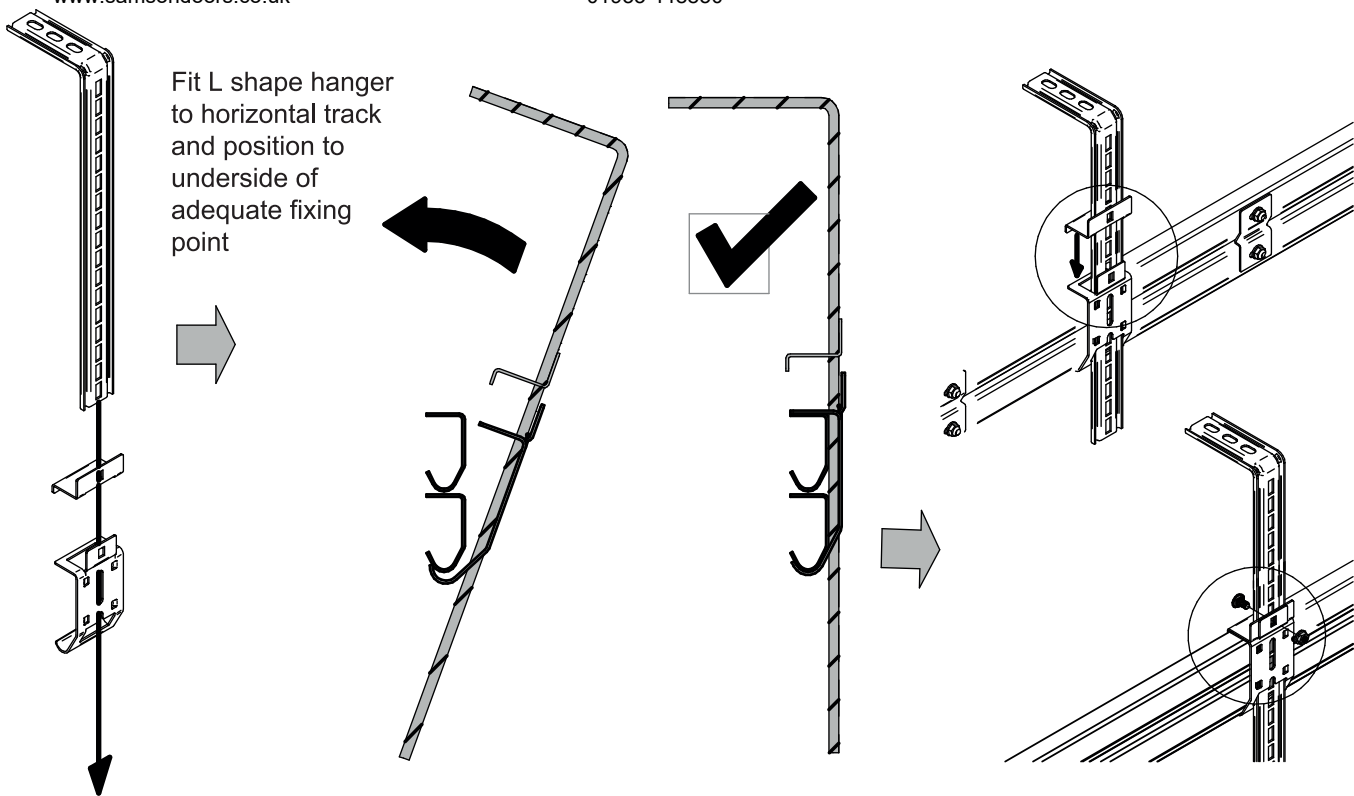
Assemble horizontal tracks as shown



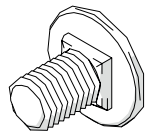
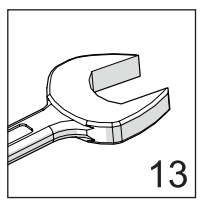


Fit reinforcing plates to horizontal track and radius

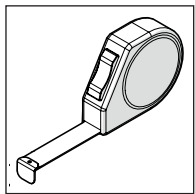
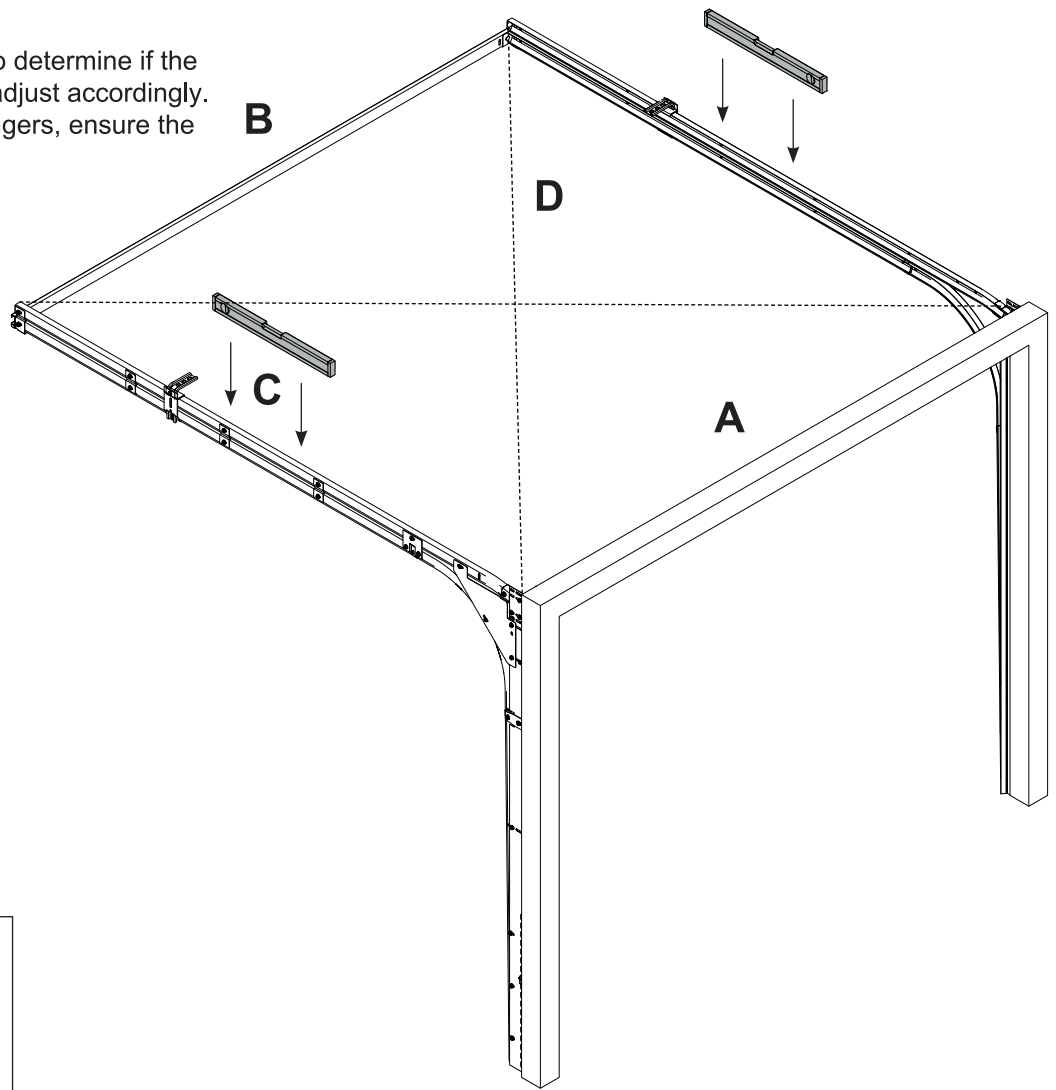




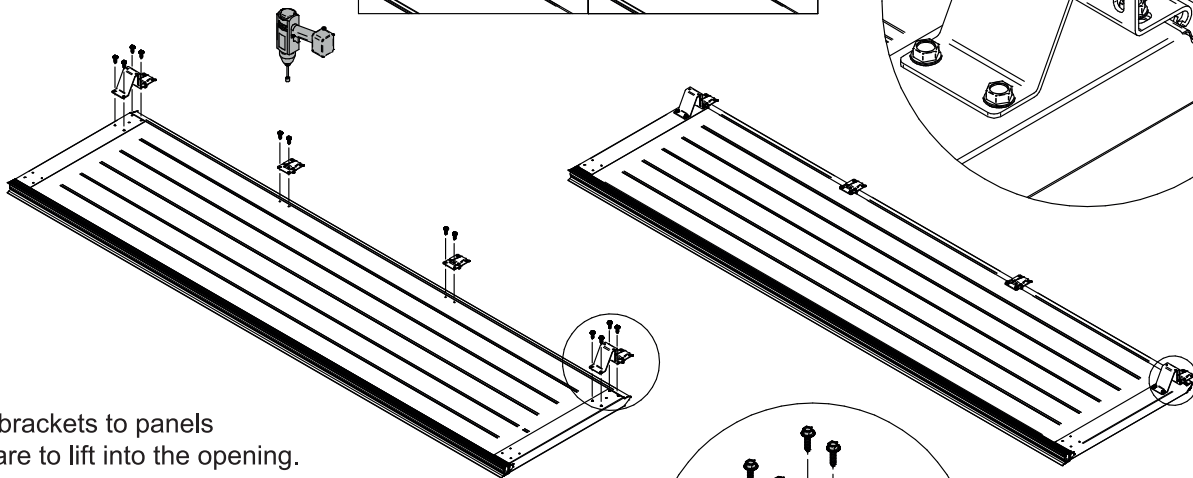
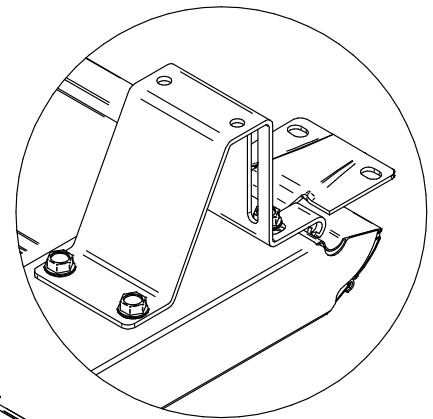
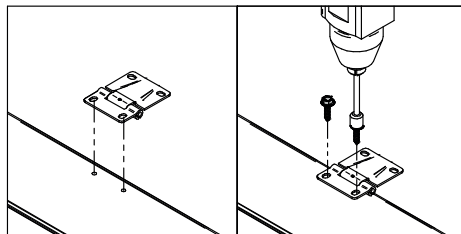
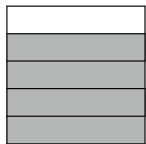
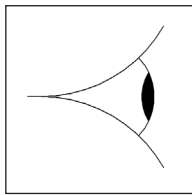
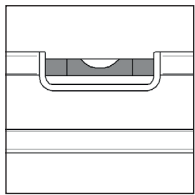
Using the L shape hangers and the clamping brackets secure the back bar to neighbouring walls



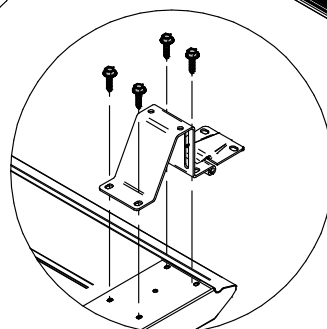
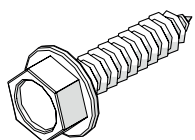
Measure from corner to corner to determine if the horizontal track area is square, adjust accordingly. Before securing the L shape hangers, ensure the horizontal tracks are level

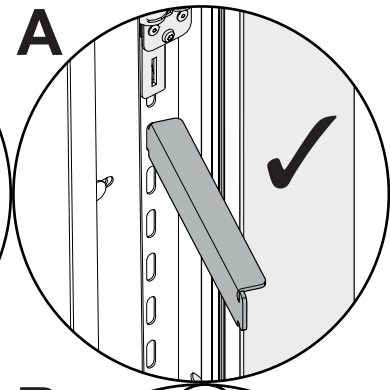
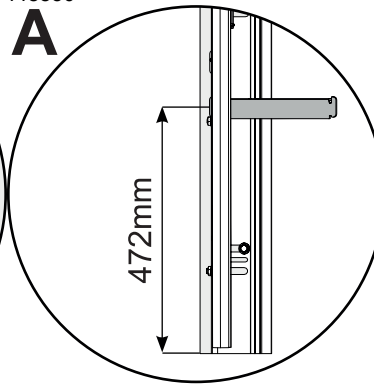
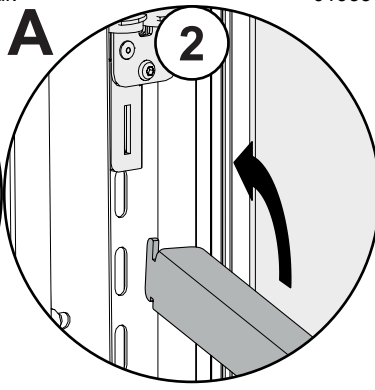
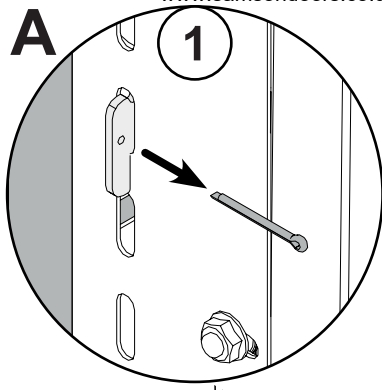


$$A = B$$
$$C = D$$



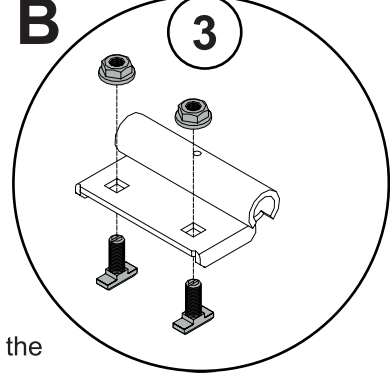
Fix roller brackets to panels and prepare to lift into the opening.



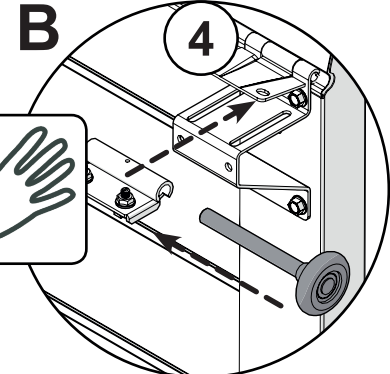


Insert the support bracket into position

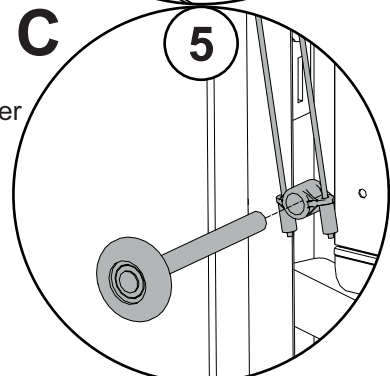
Lift the panel gently to the support bracket



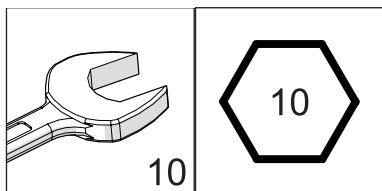
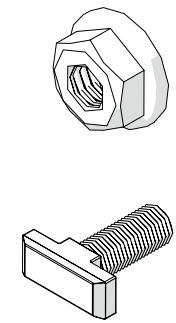
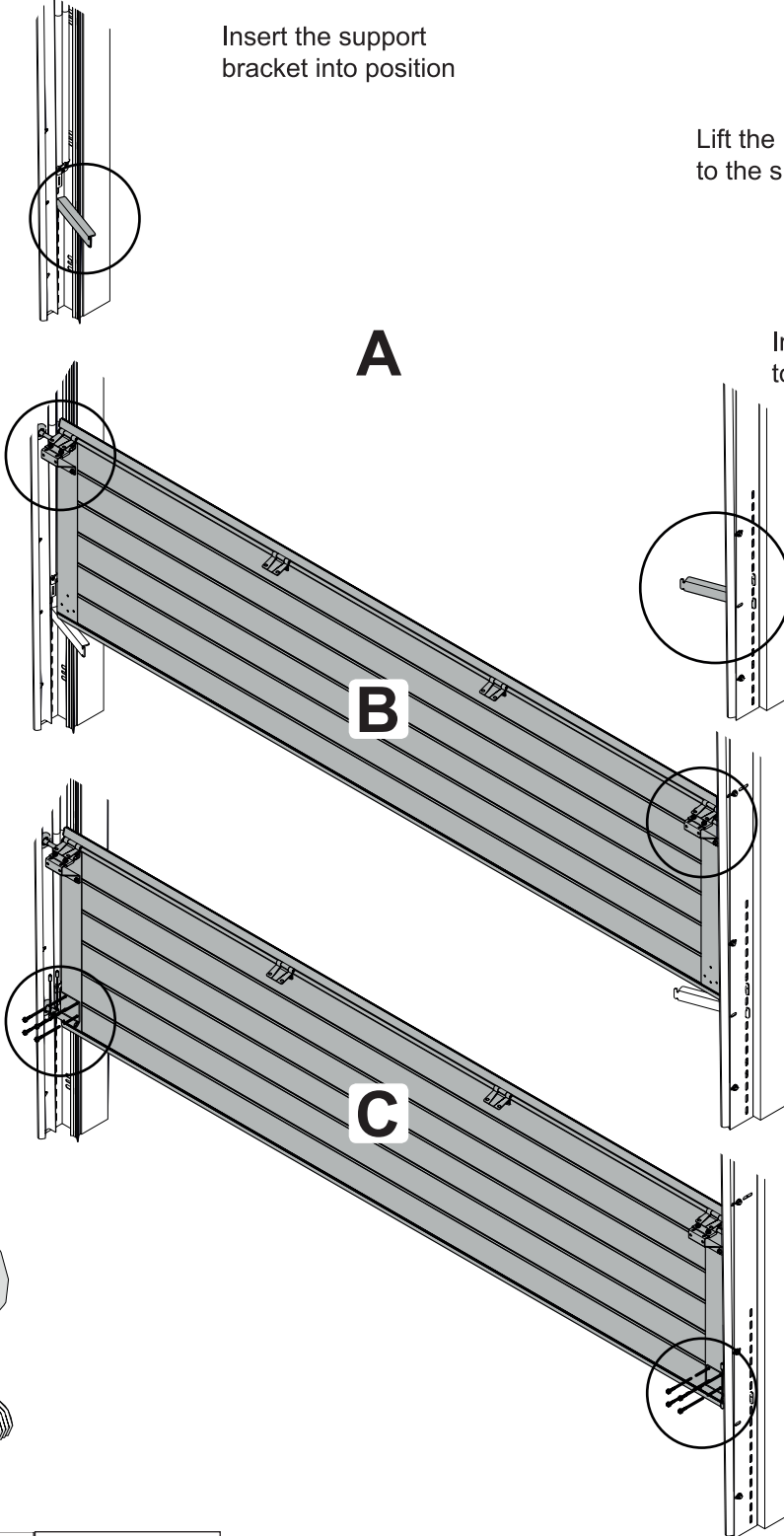
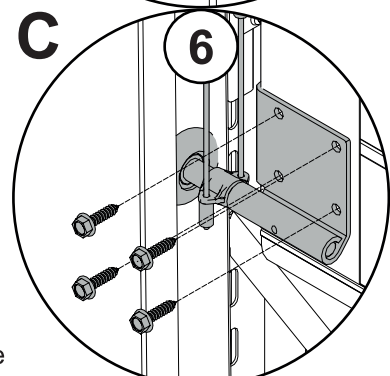
Insert roller into the top of the panel



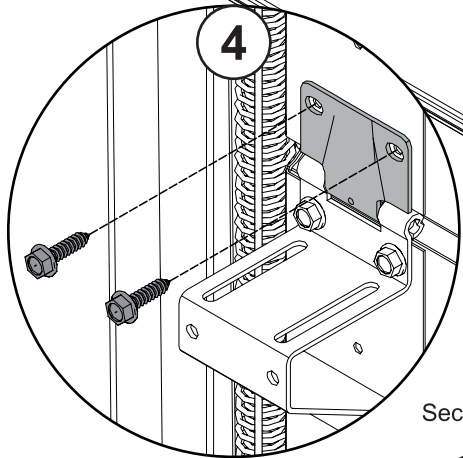
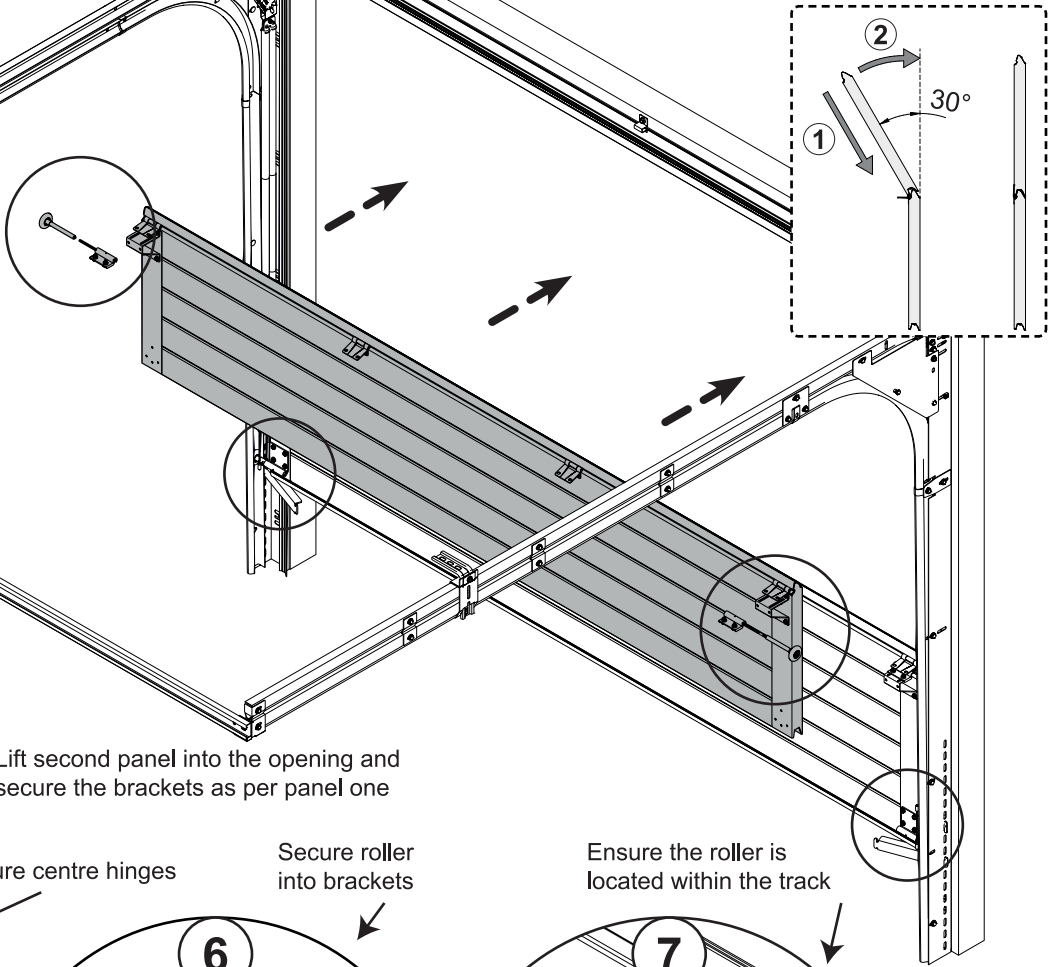
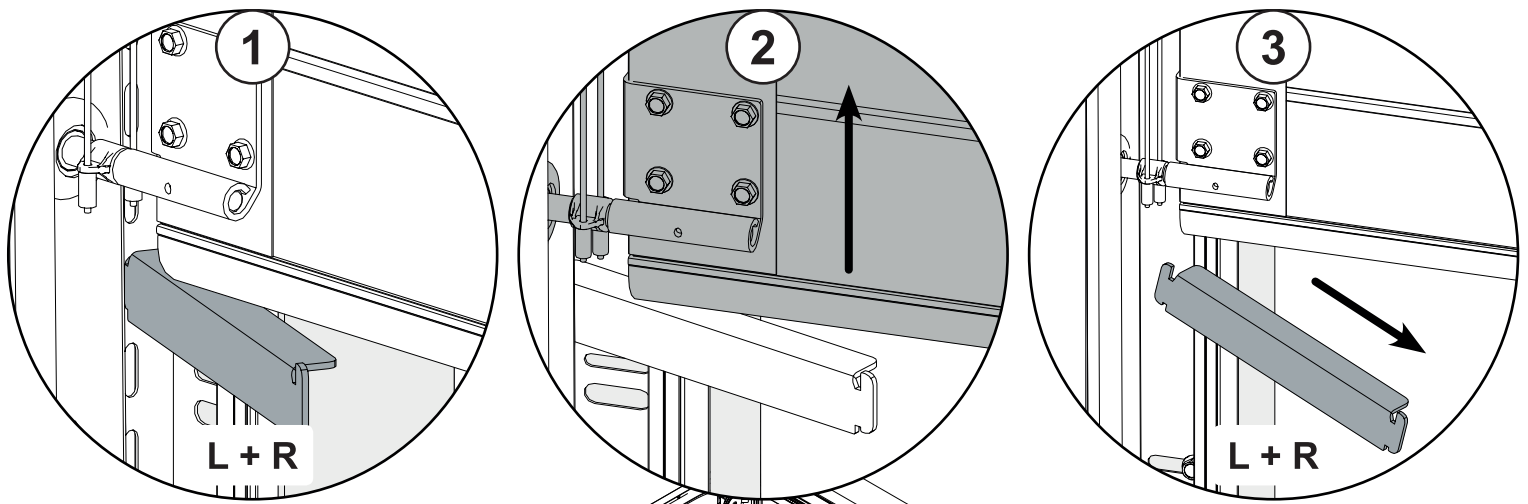
Feed the roller through the bottom of the cable.



Secure the bottom of the roller to the base of the bottom panel. Repeat on both sides.



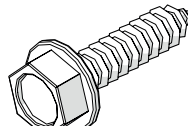
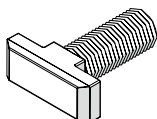
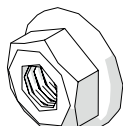
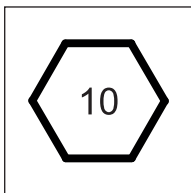
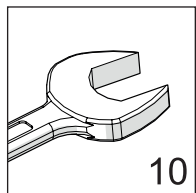
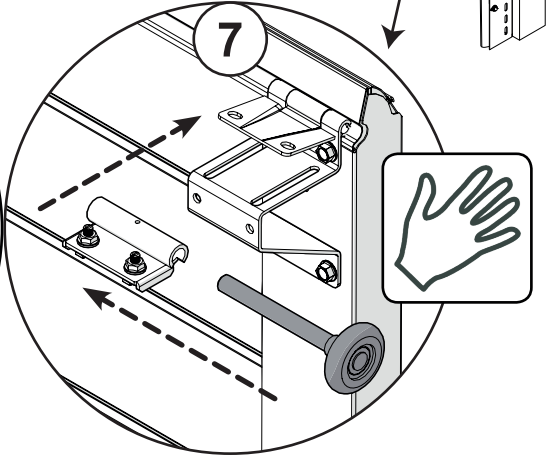
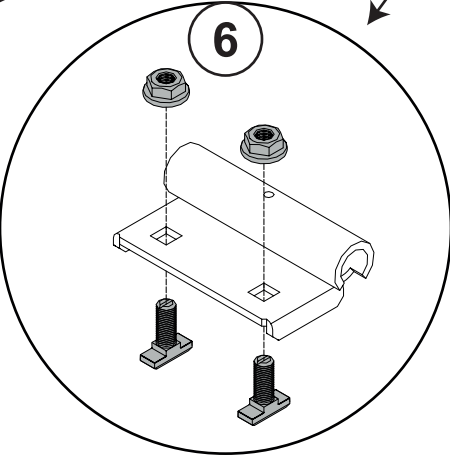
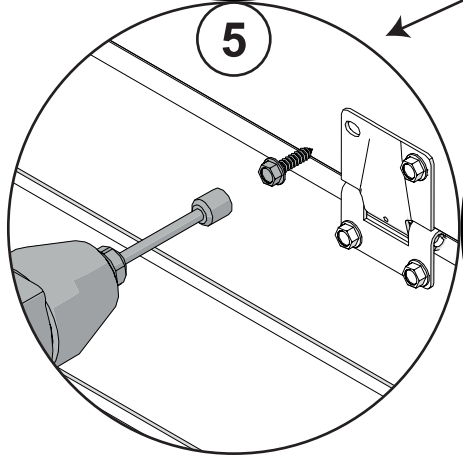
Once bottom rollers and brackets are secure lift the panel gently and remove the support brackets

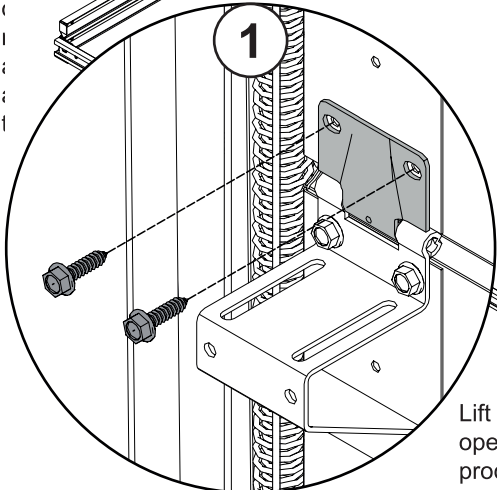
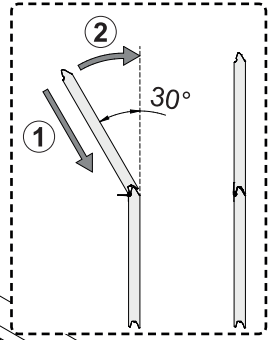


Secure centre hinges

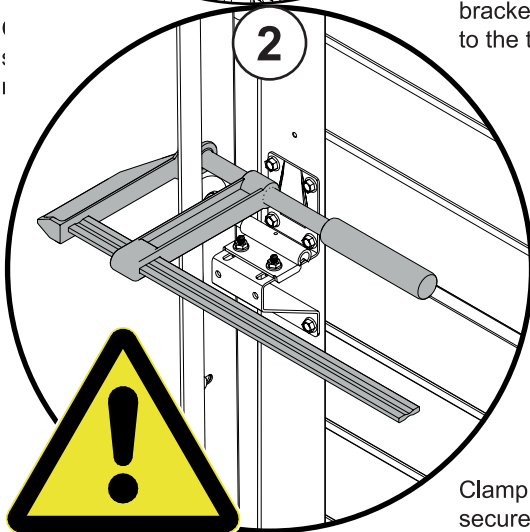
Secure roller into brackets

Ensure the roller is located within the track

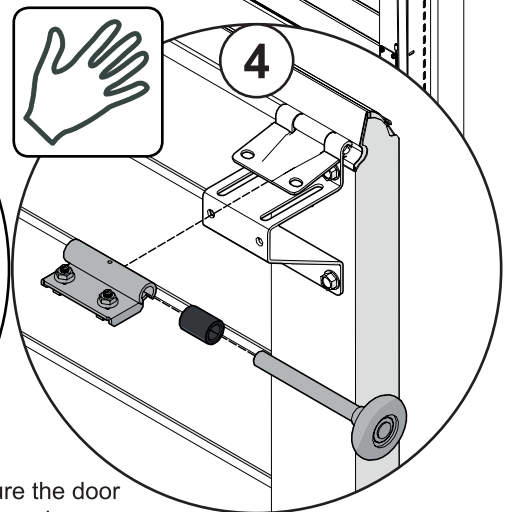
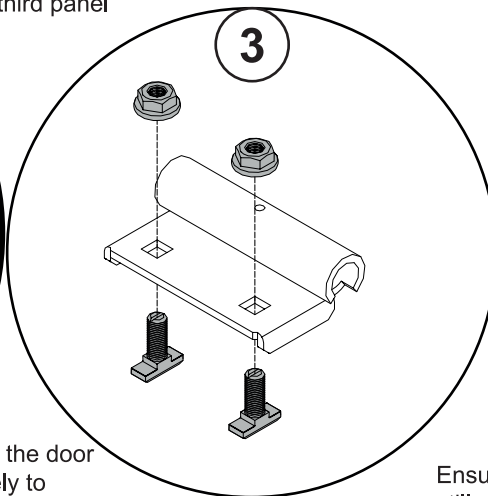




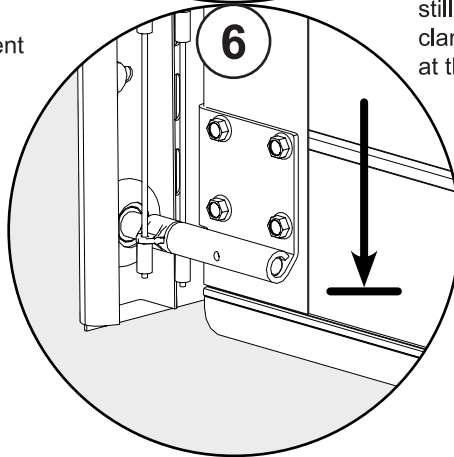
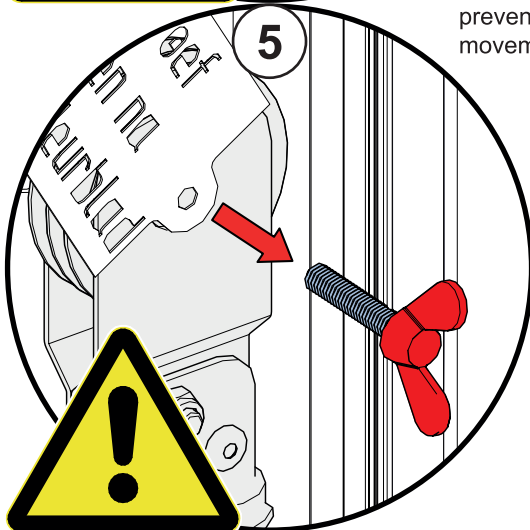
Lift panel into opening and repeat process of attaching brackets and rollers to the third panel



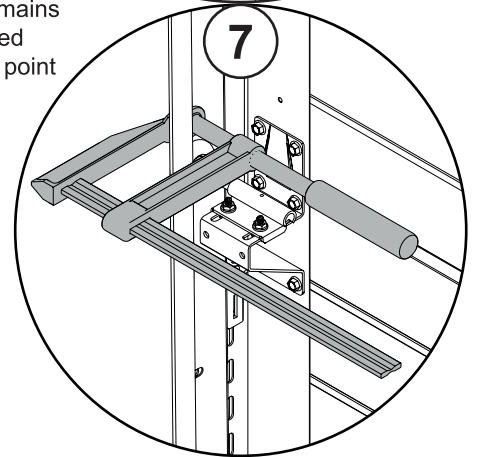
Clamp the door securely to prevent movement



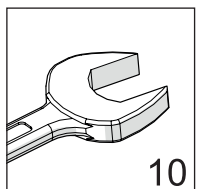
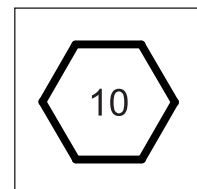
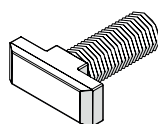
Ensure the door still remains clamped at this point

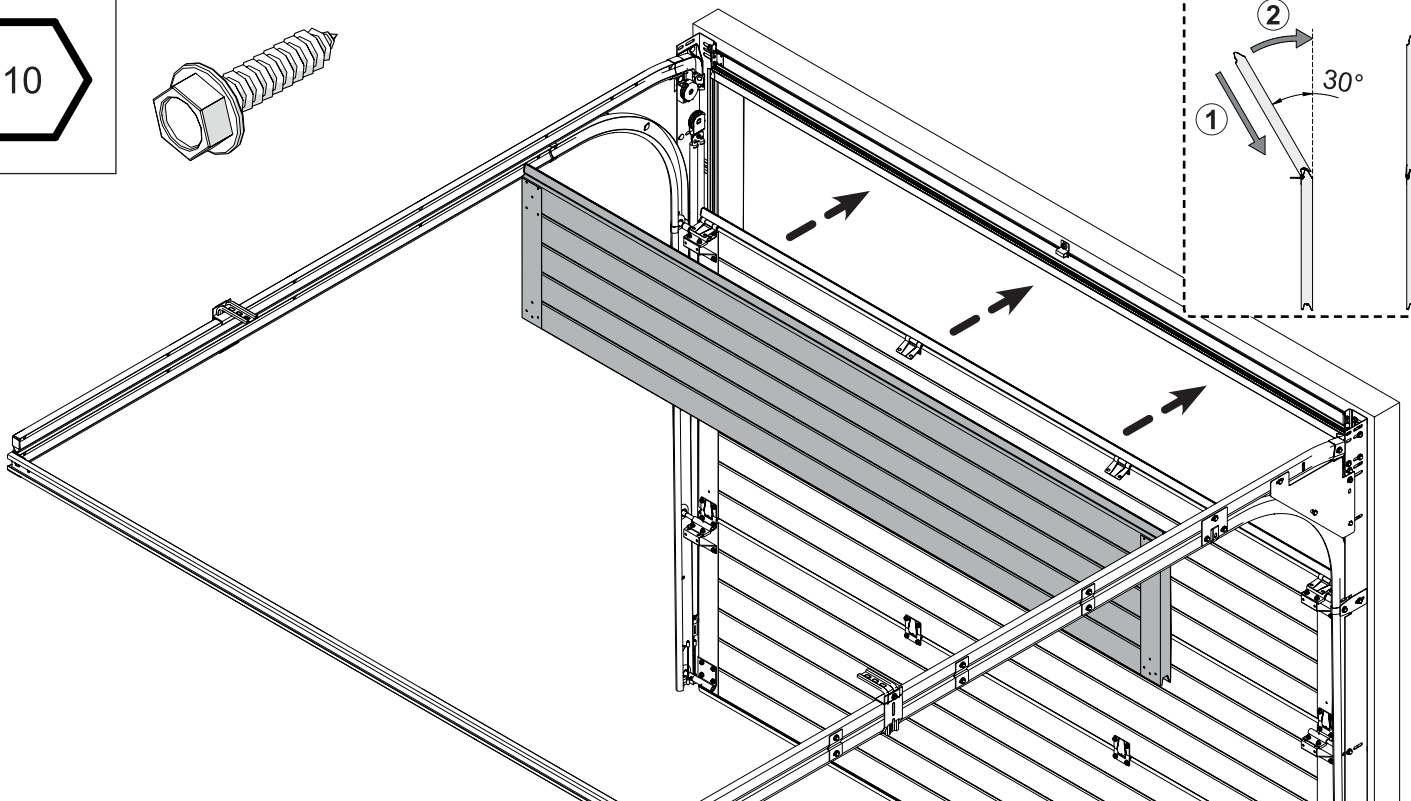
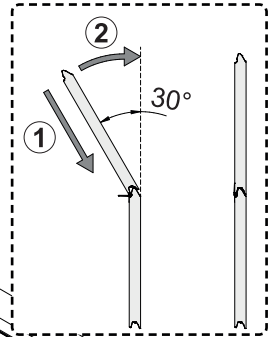
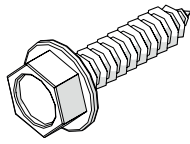
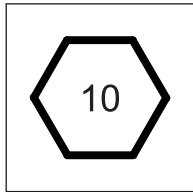


Push door securely onto the ground

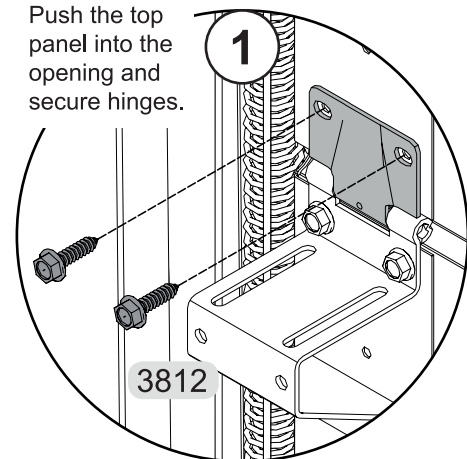


Before removing the red screws, ensure the door is clamped securely. Remove pin



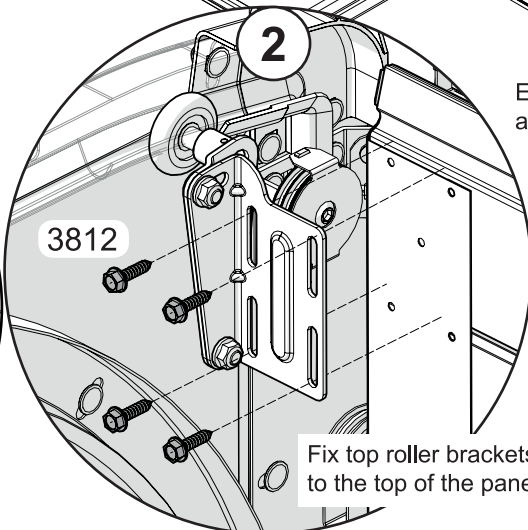


Push the top panel into the opening and secure hinges.

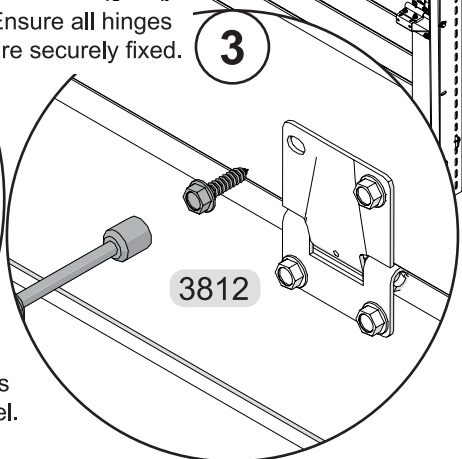


2

Ensure all hinges are securely fixed.

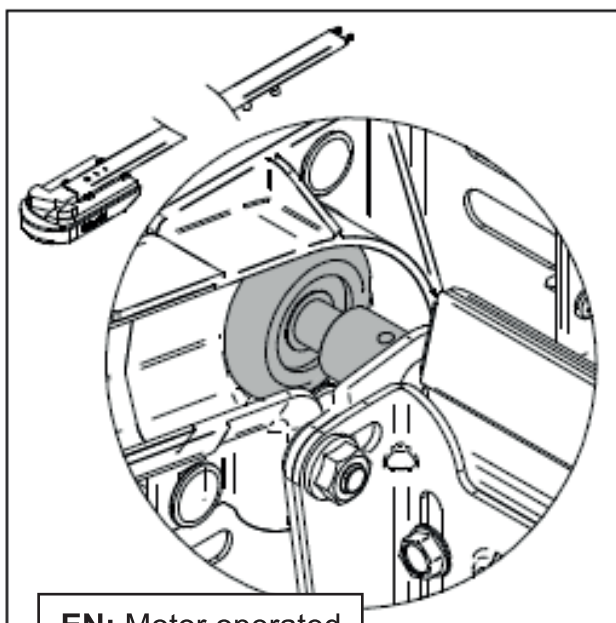


3

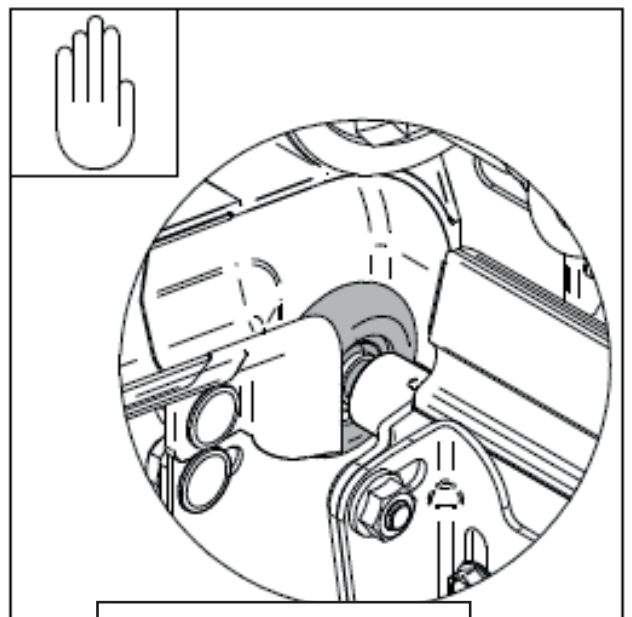


Fix top roller brackets to the top of the panel.

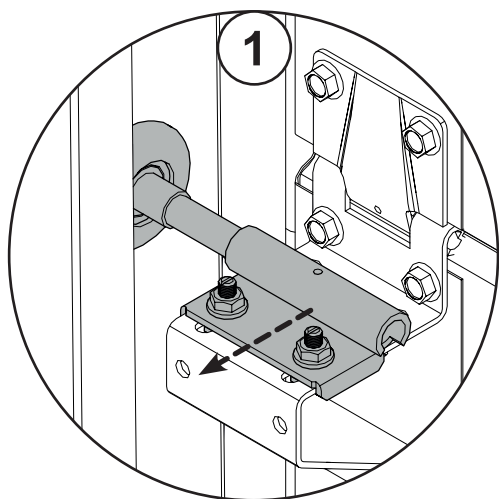
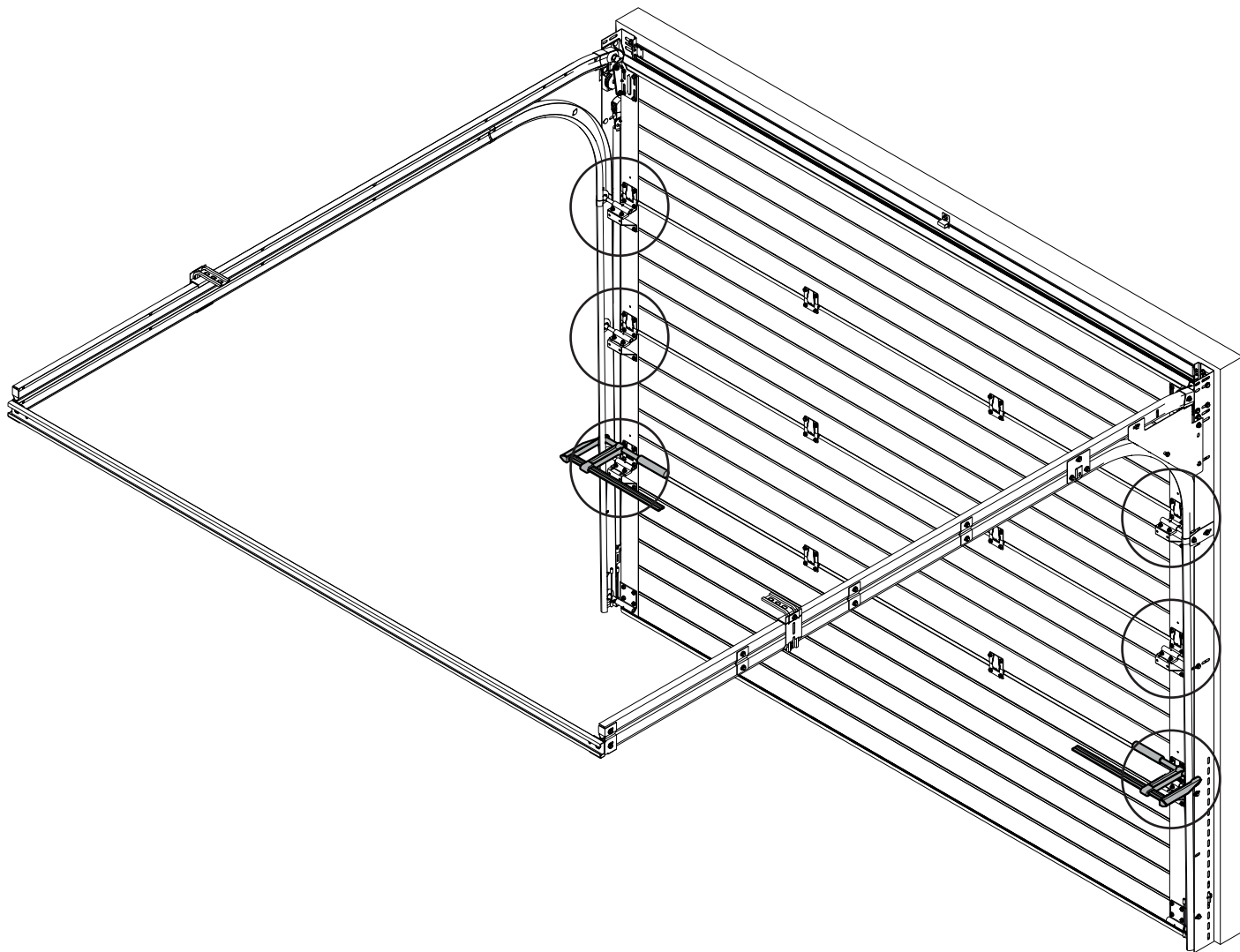
Adjust top roller for manual or electric operation



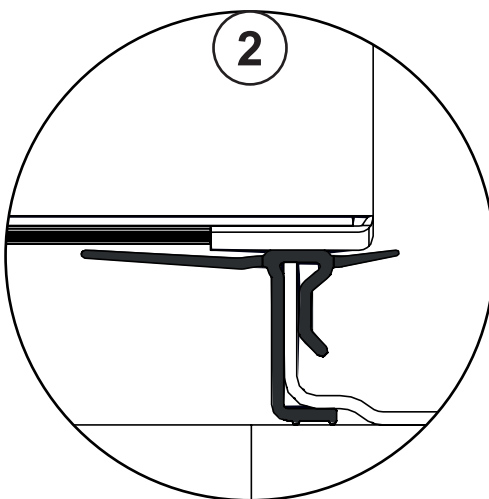
EN: Motor operated



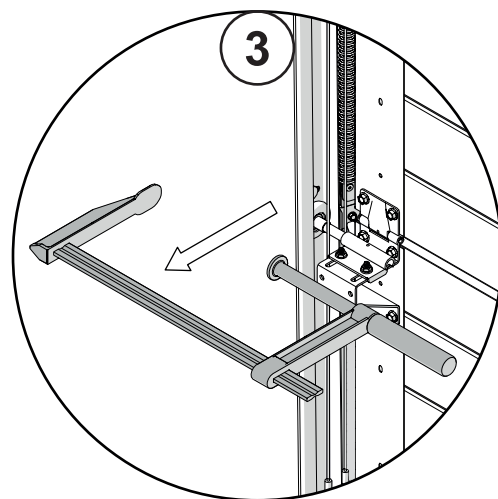
EN: Manually operated



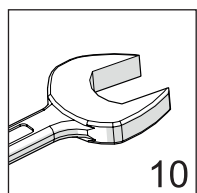
Position rollers & brackets so the roller can freely move within the track. Secure bracket when completed.



Adjust panel to suit the weather seal



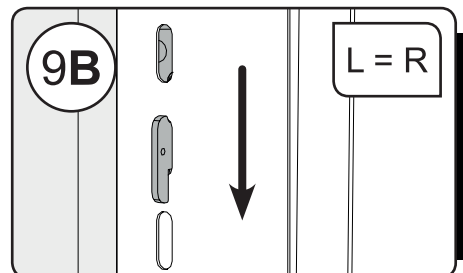
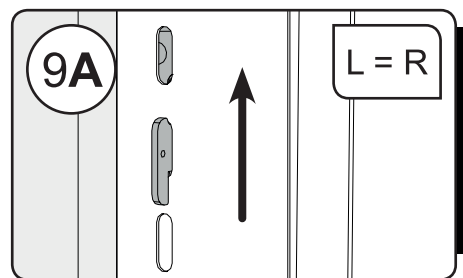
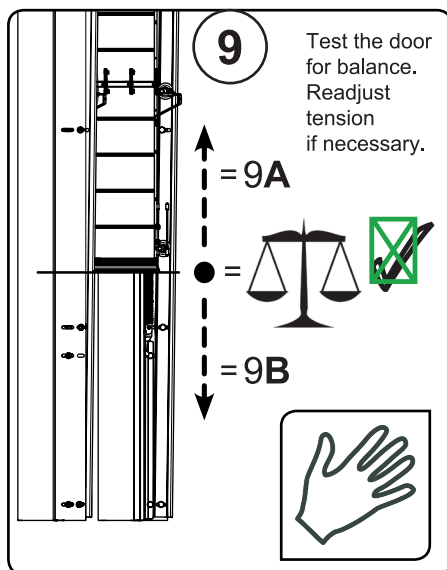
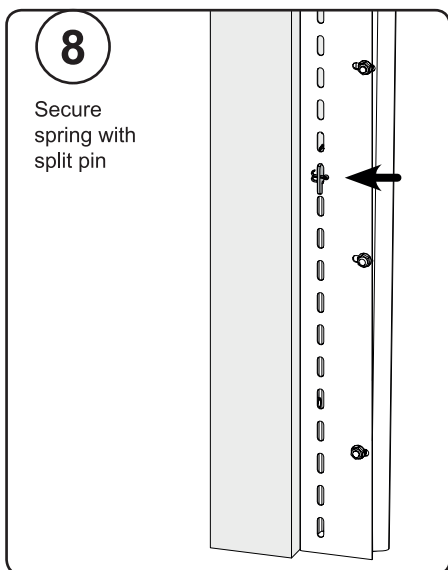
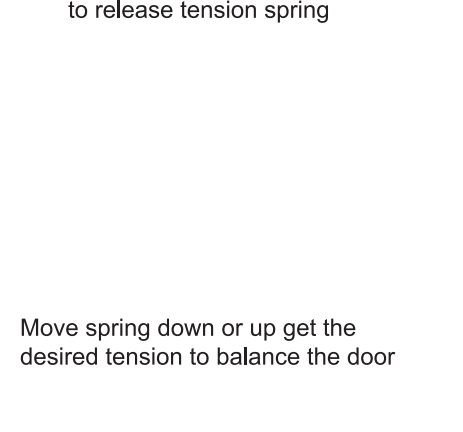
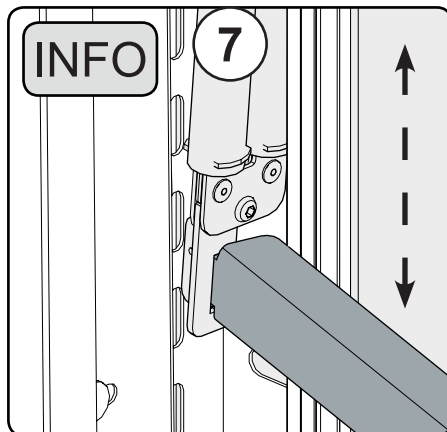
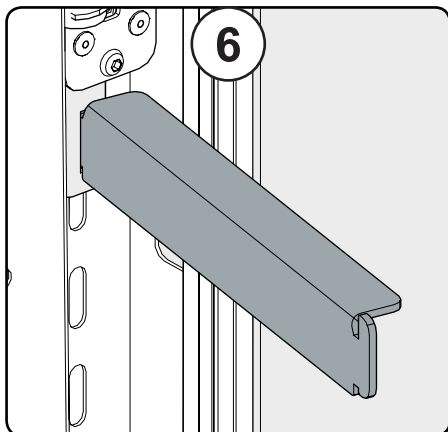
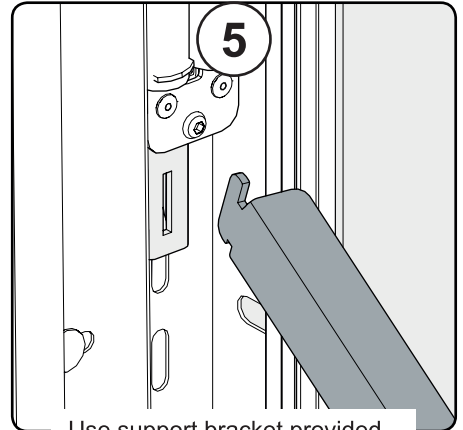
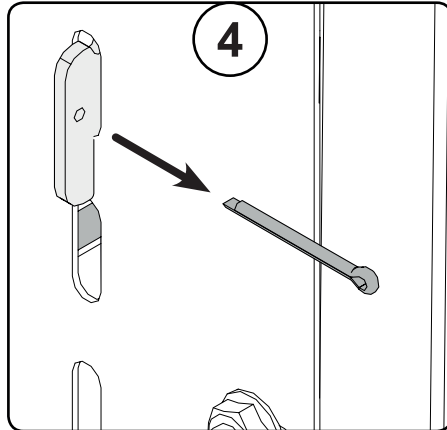
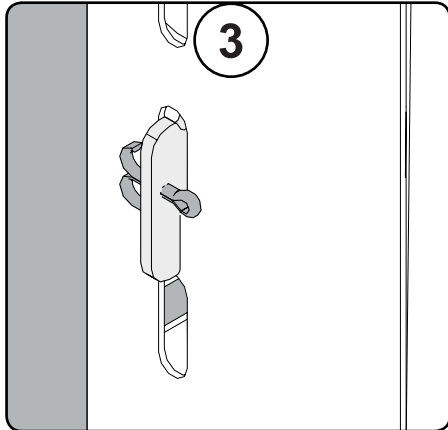
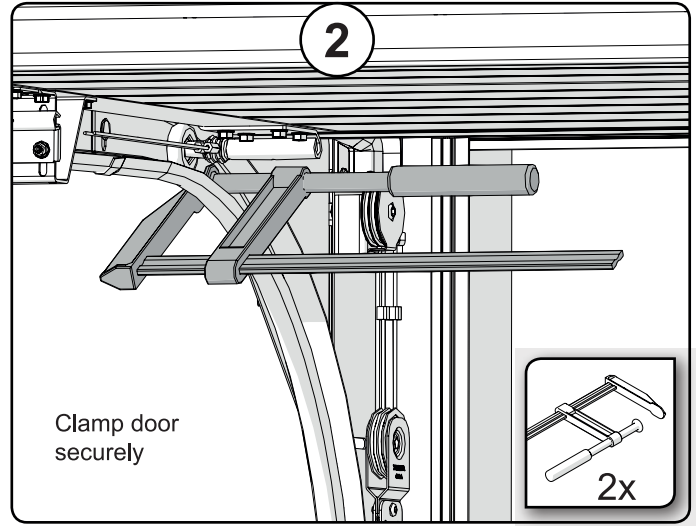
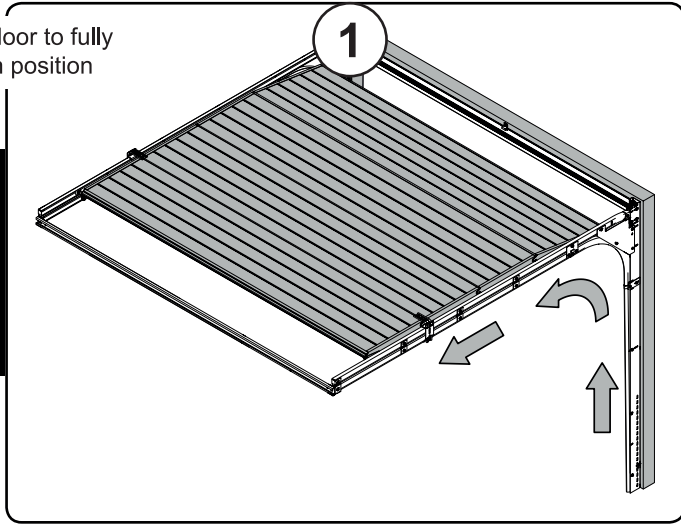
Remove clamp

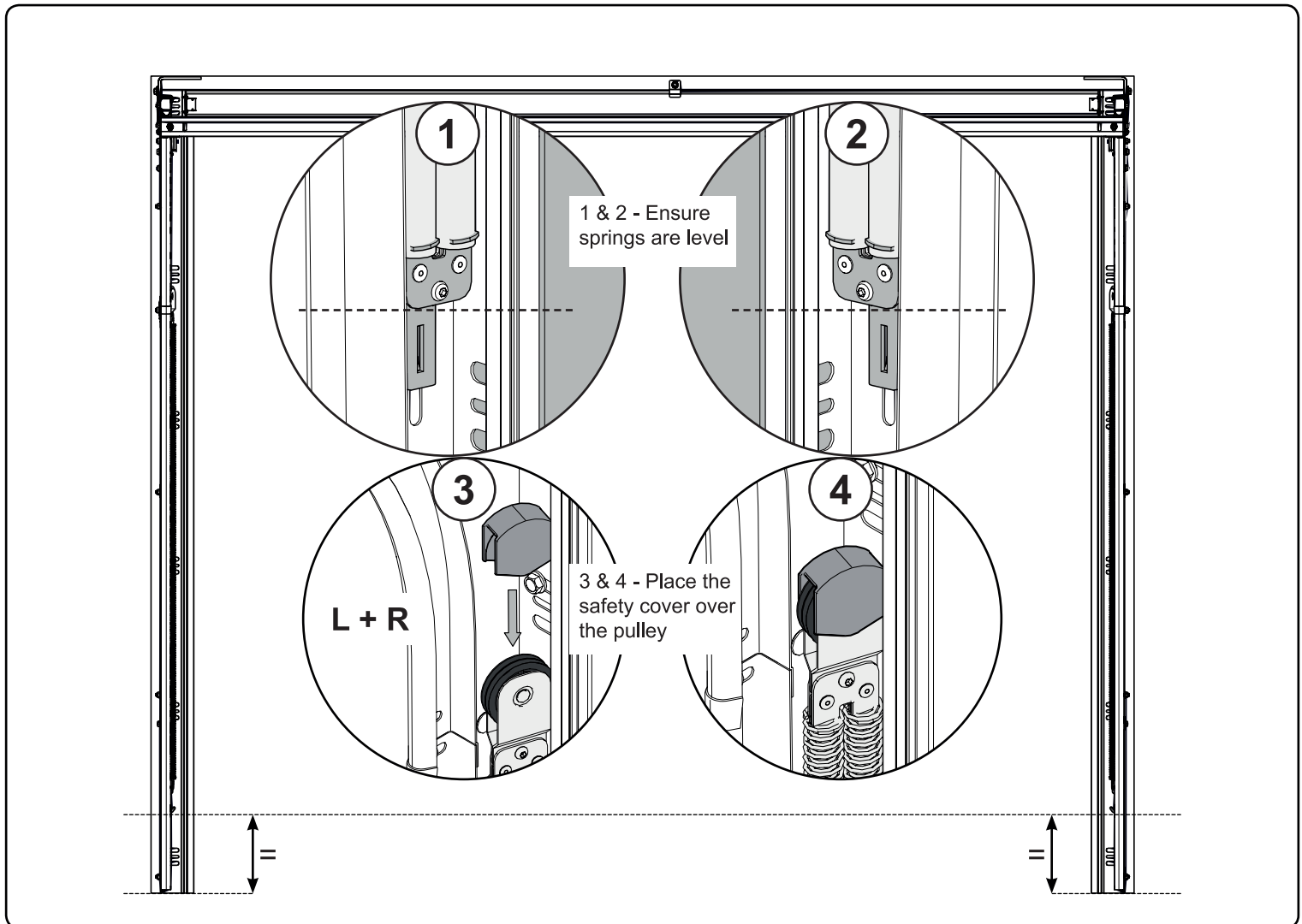
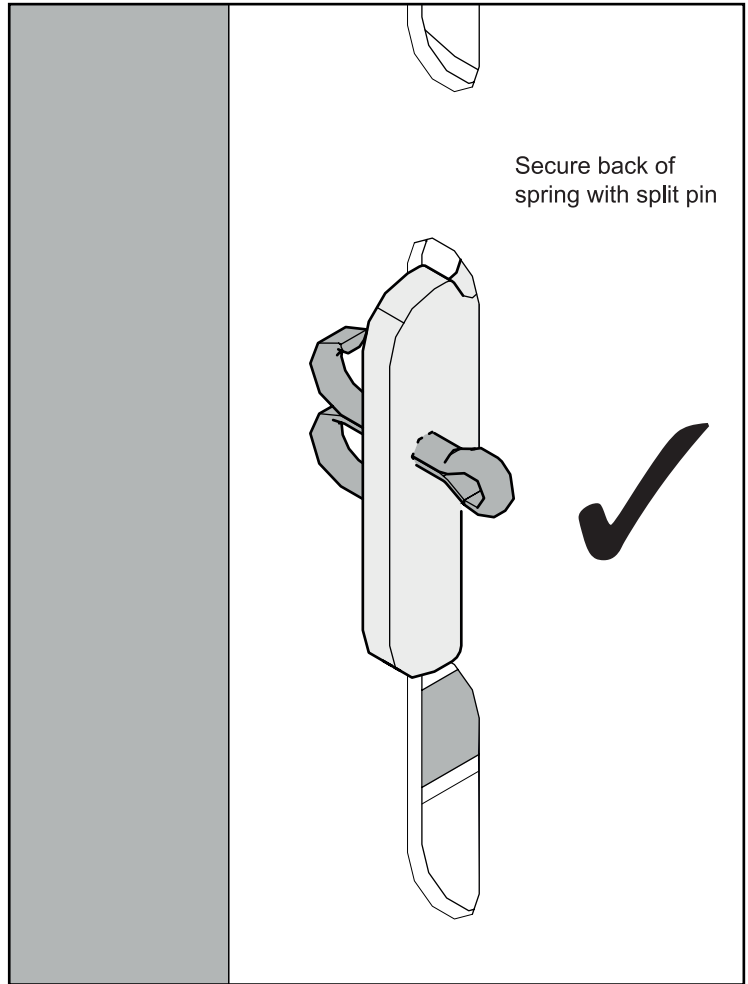
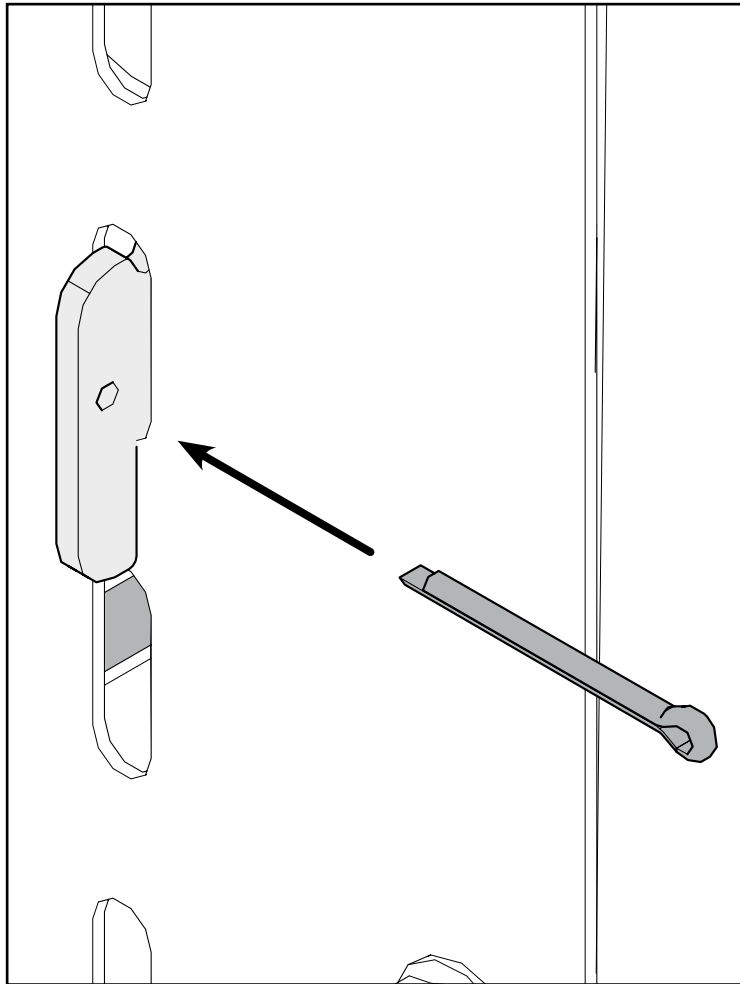


10



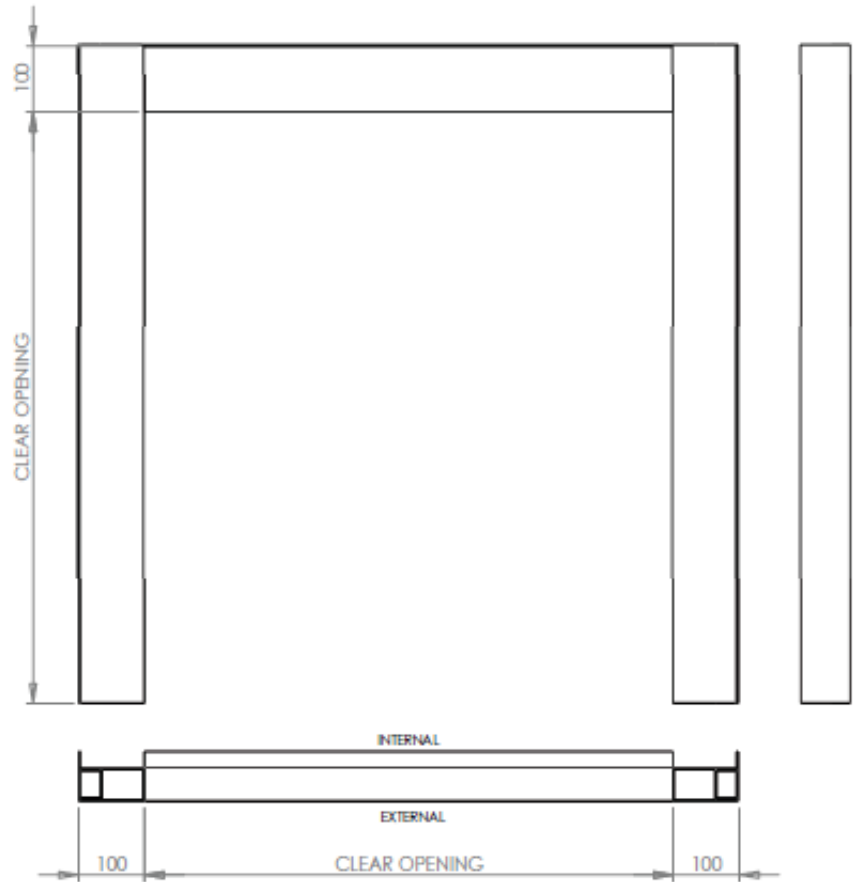
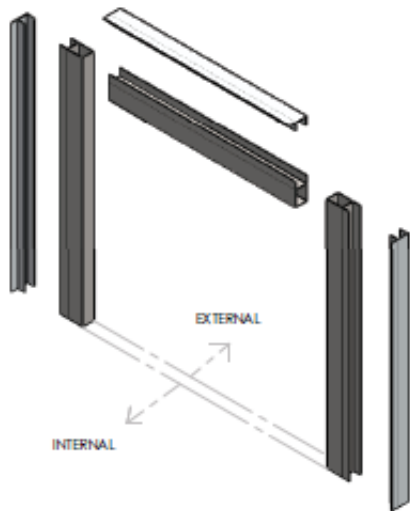
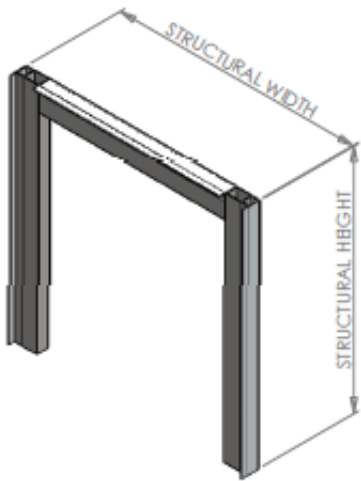
Lift door to fully open position





# Reveal Options

## Executive Framing Kit



## Reveal Brackets

Position 5 per side, secure each bracket with 2 M8 x 18 bolts and M8 serrated nuts

