

OVERLAP

TRACKLESS SECTIONAL DOOR

SILVELOX
devoted to design

OVERLAP TECHNOLOGY

innovative design

OVERLAP TECHNOLOGY: PATENTED QUALITY

Silvelox bases its business on research and development aiming towards technological innovation, presenting to the market always cutting-edge products.

OVERLAP TECHNOLOGY is the perfect combination of an innovative opening system with an optimal functional and aesthetic result.

TABLE OF CONTENT

4 + **MORE THAN 50 YEARS OF INNOVATION**

Silvelox presentation

6 + **DESIGN**

Silvelox makes your ideas happen

10 + **DESIGN**

Silvelox reinvents the garage door

12 + **SPACE TO YOUR SPACE**

OVERLAP opening system

14 + **DIFFERENCES + ADVANTAGES**

Comparison between traditional and OVERLAP sectional door

16 + **REASONS TO CHOOSE OVERLAP**

When technology serves beauty

18 + **MODERNITY + SIMPLICITY**

Wood and Metal

22 + **CUSTOMIZATION**

Choosing among 12 models

36 + **BRIGHTNESS AND VENTILATION**

Windows, grids, cover boards and transoms

38 + **COMBINATIONS**

Woods and colours

41 + **OPTIONS**

Handles

46 + **FLEXIBILITY IN INSTALLATION**

Flush installation and behind wall installation

51 + **SIZE**

Door sizes and models

57 **TECH SPECS**



SILVELOX
devoted to design

+ MORE THAN 50 YEARS OF INNOVATION

SILVELOX was founded in 1961 by Silvio Taddei's innovative idea to create a self-lifting garage door, unique and revolutionary in the residential door industry. Innovation has characterized the entire Silvelox existence, which has always been dedicated to the design intended as the research both for technological solutions and beauty. The new product of this ongoing research is OVERLAP: a garage door with an innovative mechanics that redefines the state-of-the-art for residential doors.



“Inventing is my obsession”

(Silvio Taddei - the founder)



WHY SILVELOX?
+ DESIGN

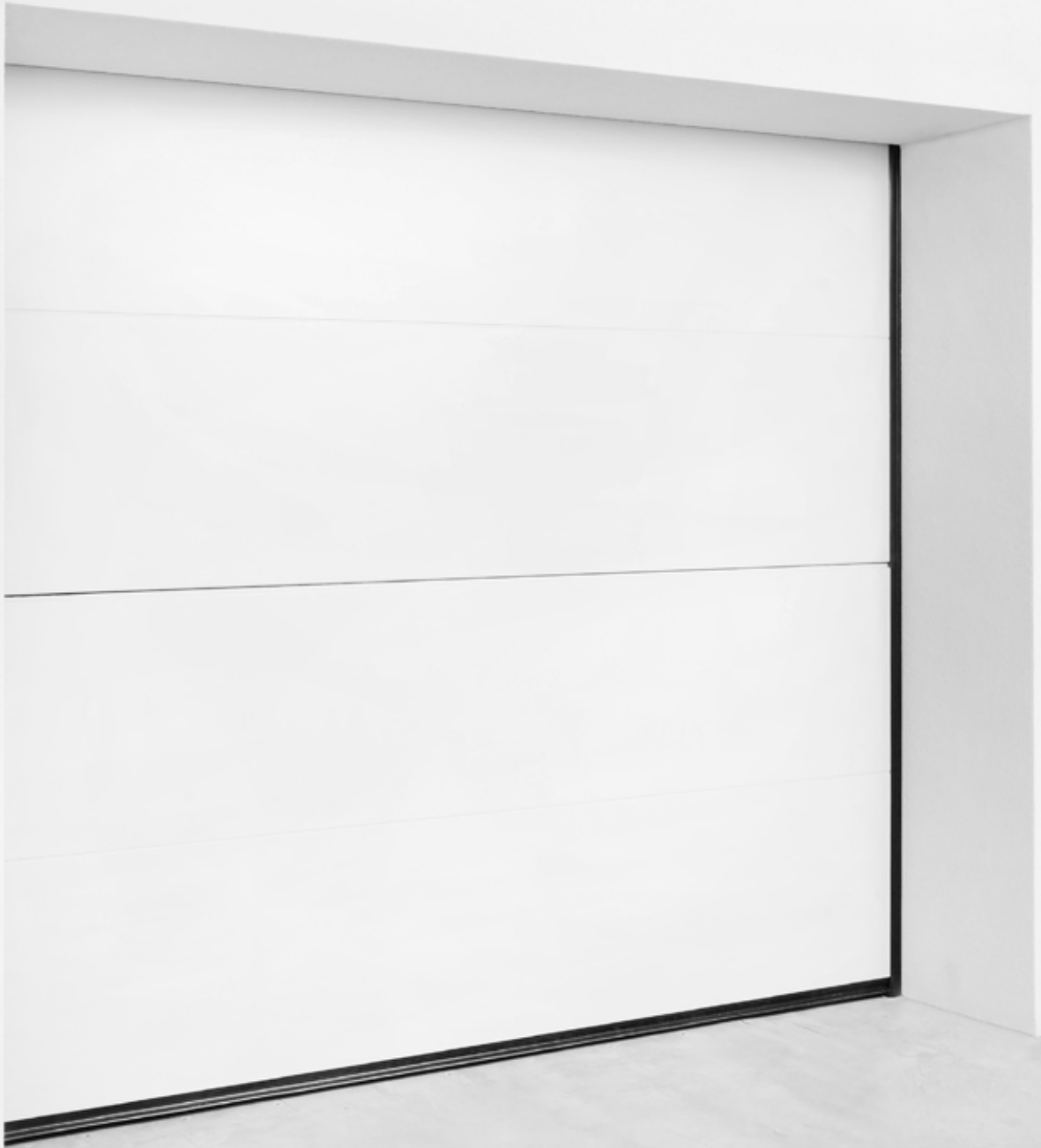




SILVELOX MAKES YOUR IDEAS HAPPEN

Each Silvelox door is a unique product because it is custom made and it is the result of one of the infinite possible combinations of materials, stains, colors, models and accessories. The high degree of flexibility of Silvelox allows a Complete product customization due to an industrial production that combines the technological ability with craftsmanship. Our design team supports customers in with specific solutions from both technical and an aesthetic point of view.

**THIS IS NOT
JUST A
GARAGE DOOR**



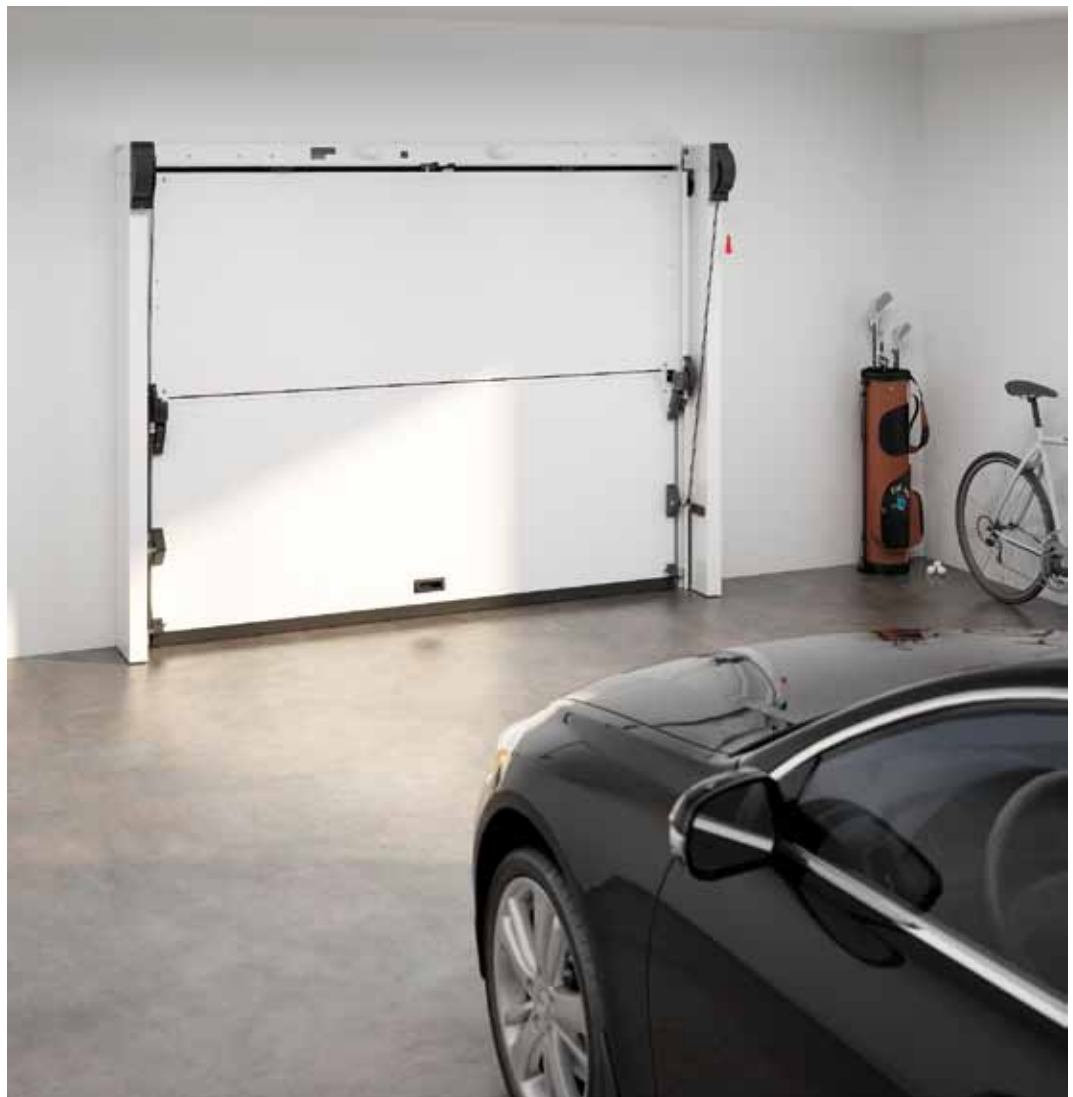
IT IS MUCH MORE +

SILVELOX REINVENTS THE GARAGE DOOR

OVERLAP is the only sectional garage door without ceiling tracks, without springs, with a double counterweight mechanism and the operator embedded in the head-bar. It is the ideal product to enhance the garage and allows space optimization due to reduced internal dimensions. OVERLAP is born from the commitment of Silvelox to combine technology and beauty for the residential market, providing attention to the smallest details and an extensive customization options, unlike the traditional sectional door that is born to meet the needs of commercial and industrial buildings. OVERLAP, like all Silvelox products, is a genuine Made in Italy example that embodies quality, design and technology.



+ DESIGN



Internal view

+ SPACE

TO YOUR SPACE



MINIMAL DIMENSIONS MAXIMAL OPENING

OVERLAP is an innovative sectional door thanks to its patented opening system that does not require ceiling tracks and cuts by 50% the internal dimensions. With OVERLAP the space inside the garage is best used and the door clearance is optimized, both in height and

in width. Just a 200 mm headroom is required. OVERLAP is equipped with the Silvelox operator embedded in the headbar. This system operates the door without visible ceiling tracks.



Watch OVERLAP
video!

OVERLAP OPERATION:

The door raises, folds in half, turns below the ceiling, splits in two sections and the lower one slides below the upper one.

+ DIFFERENCES

TRADITIONAL SECTIONAL DOOR



- 1** **CEILING TRACKS:**
The vertical sliding movement implies that the door, when open, lies parallel to the ceiling supported by the tracks that remain always in sight, fixed to the ceiling, even with the door closed.
- 2** **VISIBLE OPERATOR:**
The operator is anchored to the ceiling with an increment of required space.
- 3** **SPRING SYSTEM:**
The door is balanced by a spring system. It requires periodical inspections and replacements.
- 4** **INTERNAL SIDE:**
The multiple horizontal sections architecture involves the use of visible hinges and hardware.

+ ADVANTAGES

OVERLAP SECTIONAL DOOR



- 1 TRACKLESS:**
This is the main feature that makes OVERLAP unique. Thanks to its supporting frame and its two overlapping sections, unpleasant ceiling tracks are not necessary.
- 2 INVISIBLE OPERATOR:**
The operator is completely hidden inside the head-bar; it does not require sliding bars and it does not need additional space.
- 3 COUNTERBALANCE SYSTEM:**
The two sections are balanced by means of a counterweight system. Parts subject to wear are minimized.
- 4 INTERNAL SIDE:**
Due to the unique architecture, the internal side result is clean with no hardware.



REASONS

TO CHOOSE OVERLAP

**OVERLAP
TECHNOLOGY**

innovative design

OVERLAP has been studied and created on the basis of OVERLAP TECHNOLOGY, patented system finalized to maximize functionality and aesthetics. OVERLAP TECHNOLOGY allows to adapt the door to any type of construction requirements and makes it the first “business card” of the house.

WHEN TECHNOLOGY SERVES BEAUTY



1

**MORE SPACE WITH NO
CEILING TRACKS**



2

**CLEAN VIEW WITH
HIDDEN OPERATOR**



3

**EVERLASTING
COUNTERBALANCE SYSTEM**



4

BEAUTY ON BOTH SIDES

+ MODERNITY WOOD

NATURE LIVES IN DESIGN

Wood, natural design element, is used with wisdom and deep respect for nature and provides all the warmth and the finish quality that characterize Silvelox products. Special processing techniques and the use of noble essences make possible a wide range of aesthetic finishes and combinations.

The use of wood is carried completely in compliance with eco-friendly procedures.



+ SIMPLICITY



METAL

METAL JOINS WOOD

Metal responds to the simplicity and minimalism needs of many contemporary architectural contexts, giving the door a sober and essential look. The metal version is available in a range of finishes aligned with actual market offer and requires a different maintenance over time.



+ ELEGANCE

EXTERNAL
VIEW



INTERNAL
VIEW



BEAUTY WITH NO SHADOWS

The same attention to details that characterizes the outside of the door is also applied to the inner side. The absence of ceiling tracks and the minimalism of the interior give a sense of cleaning and rigor.

The operator is embedded in the head-bar and does not require sliding bars or other functional elements on sight. The inside looks white colored; upon customer request, the panels can be customized and take the same color as the outer side.



Internal view, RAL 9016 standard color



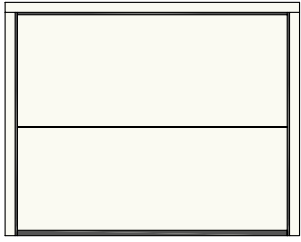
Custom internal view, available upon request

+ CUSTOMIZATION

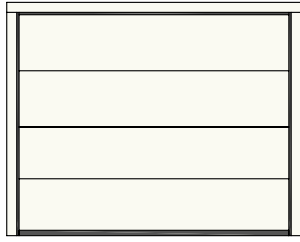
+ MODELS

+ CHOICE

Overlap is available in a wide range of models, spanning from traditional vertical line decorations to sophisticated geometric combinations and wood grain effects. It is offered in different stains on various woods or lacquered in different RAL colors both standard and of your choice. The metal coated version is available in models DUO, EMI and SIX in various finishes and colors, as well as in wood look.



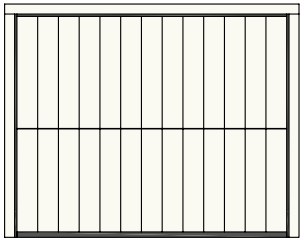
DUO  



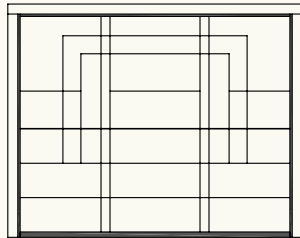
EMI  



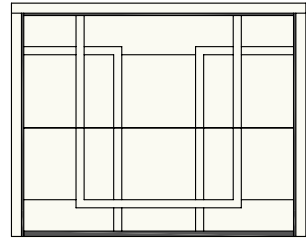
SIX  



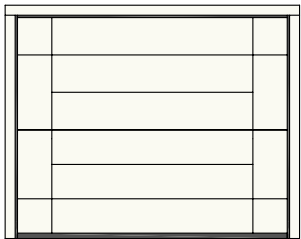
VIP 



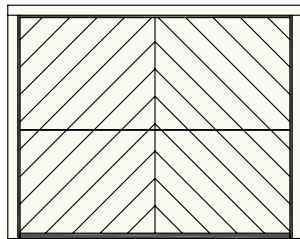
ARA 



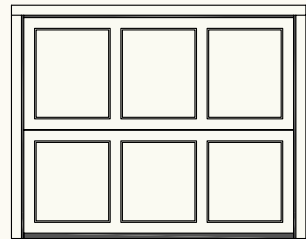
TAU 



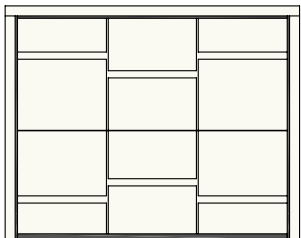
GEO 



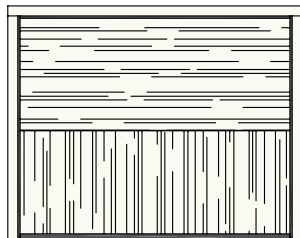
SPI 



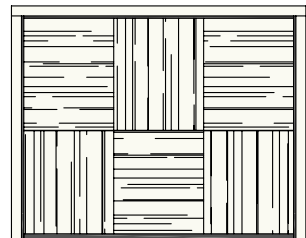
BOX 



SLOT 



TWO 



TEX 

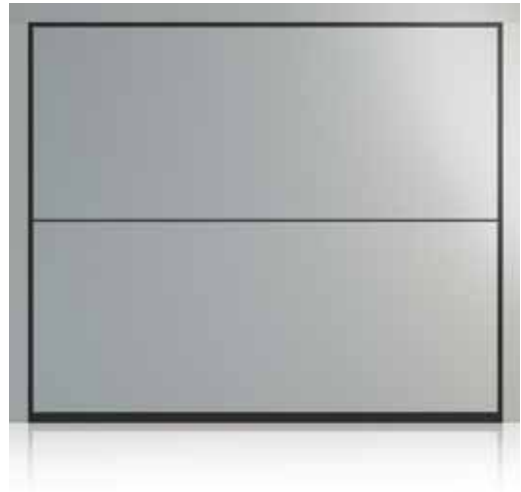
Drawings referred to a W 3270 mm by H 2580 mm door.
Other door sizes imply proportional drawing variations.

+ MODELS

DUO

 WOOD  METAL

Minimal decoration for maximum simplicity.



DUO Model - Laquered okumè, RAL 9006 White Aluminum

2 / 12



+ MODELS



EMI

Horizontal lines as in traditional sectional doors.



EMI Model – Impregnated okumè, Honey

+ MODELS

SIX

WOOD METAL

Horizontal lines for an enhanced look.



SIX Model – Embossed metal coating, RAL 7016 Anthracite Grey

4 / 12



+ MODELS



VIP

Evergreen classic in sign of tradition.



VIP Model – Laquered okumè, RAL 9016 Traffic White

+ MODELS
ARA 
WOOD

Harmonic geometric combination for a creative design.



ARA Model – Laquered okumè, RAL 5003 Sapphire Blue

6 / 12



+ MODELS



Elegant intersection of lines for a design full of originality.



TAU Model – Teak with pigmented varnish

+ MODELS
GEO 
WOOD

A mix of horizontal and vertical lines for an advanced creation.



GEO Model – Laquered okumè, RAL 8016 Mahogany Brown

8 / 12



+ MODELS



SPI

Herringbone lines for a traditional visual effect.



SPI Model – Larch with pigmented varnish

+ MODELS
BOX 
WOOD

Simple but strong personality.



BOX Model – Laquered okumè, RAL 7040 Window Grey

10 / 12



+ MODELS



SLOT

WOOD

The logo for 'Slot Wood' features a stylized green circular icon with concentric circles and a central dot, resembling a target or a wood grain pattern. Below the icon, the word 'WOOD' is written in a bold, green, sans-serif font.

Distinctive bas-reliefs combination.



SLOT Model – Laquered okumè, RAL 7044 Silk Grey

+ MODELS

TWO



Pleasant horizontal and vertical veneering combination.



TWO Model - Brushed larch Sand

12 / 12



+ MODELS



TEX

Refined effect through the combination of veneering and precious woods.



TEX Model – Brushed larch with pigmented varnish

+ BRIGHTNESS

AND VENTILATION

WINDOWS AND GRIDS

OVERLAP is also available with a wide range of glazing options that allow you to illuminate the garage interior with natural light and to lighten the visual impact of the door. The OVERLAP windows are made of polycarbonate, lightweight and durable material available with bronze embossed finish and, on request, clear embossed or smooth transparent finishes. If the garage needs ventilation, it is possible to add ventilation grids or circular slits to OVERLAP.



Bronze embossed (default)



Clear embossed



Smooth transparent



Cover boards



Transoms

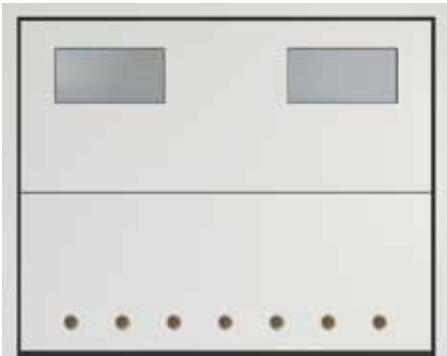
COVER BOARDS AND TRANSOMS

When the full opening height is not required you can choose either a glazed or timber transom.



Door with 2 fixed windows, measuring W 800 mm by H 400 mm each, with double polycarbonate sheet bronze embossed and 3 rectangular ventilation grids, measuring W 600 mm x H 200 mm, in plastic material, Traffic White RAL 9016 color.

Drawing referred to a W 3270 mm by H 2580 mm door.



Door with 2 fixed windows, measuring W 800 mm by H 400 mm each, with double polycarbonate sheet bronze embossed and row of circular ventilation grids, having a 120 mm diameter, Auburn color. Drawing referred to a W 3270 mm by H 2580 mm door.



Door with 2 rows of circular ventilation grids, having a 120 mm diameter, Auburn color. Drawing referred to a W 3270 mm by H 2580 mm door.



Door with 5 rectangular ventilation grids, measuring W 600 mm x H 200 mm, in plastic material, Traffic White RAL 9016 color. Drawing referred to a W 3270 mm by H 2580 mm door.

The fixed windows are made with double polycarbonate sheet 6 mm thick, embossed Bronze (on request embossed clear or transparent smooth) with a width of 200, 400, 600 or 800 mm and height of 200, 300 or 400 mm. The rectangular grids of ventilation are made in plastic material, aluminum RAL 9006 color (available on request painted in other 14 RAL colors) and are sized 400 x 200 mm (ventilation surface 250 cm²) or 600 x 200 mm (ventilation surface of 390 cm²). The circular ventilation grids have a coppery color, diameter 120 mm with an area of aeration equal to 42 cm² each. The windows and the grids are not feasible in the center of the top panel for doors with handles.

+ COMBINATIONS

OVERLAP is made by 75 mm thick Multi-ecowood panels with wood or metal coating, available in a wide range of variations and finishes.



OKOUMÉ

**NORTHERN
SPRUCE**

OAK

Honey

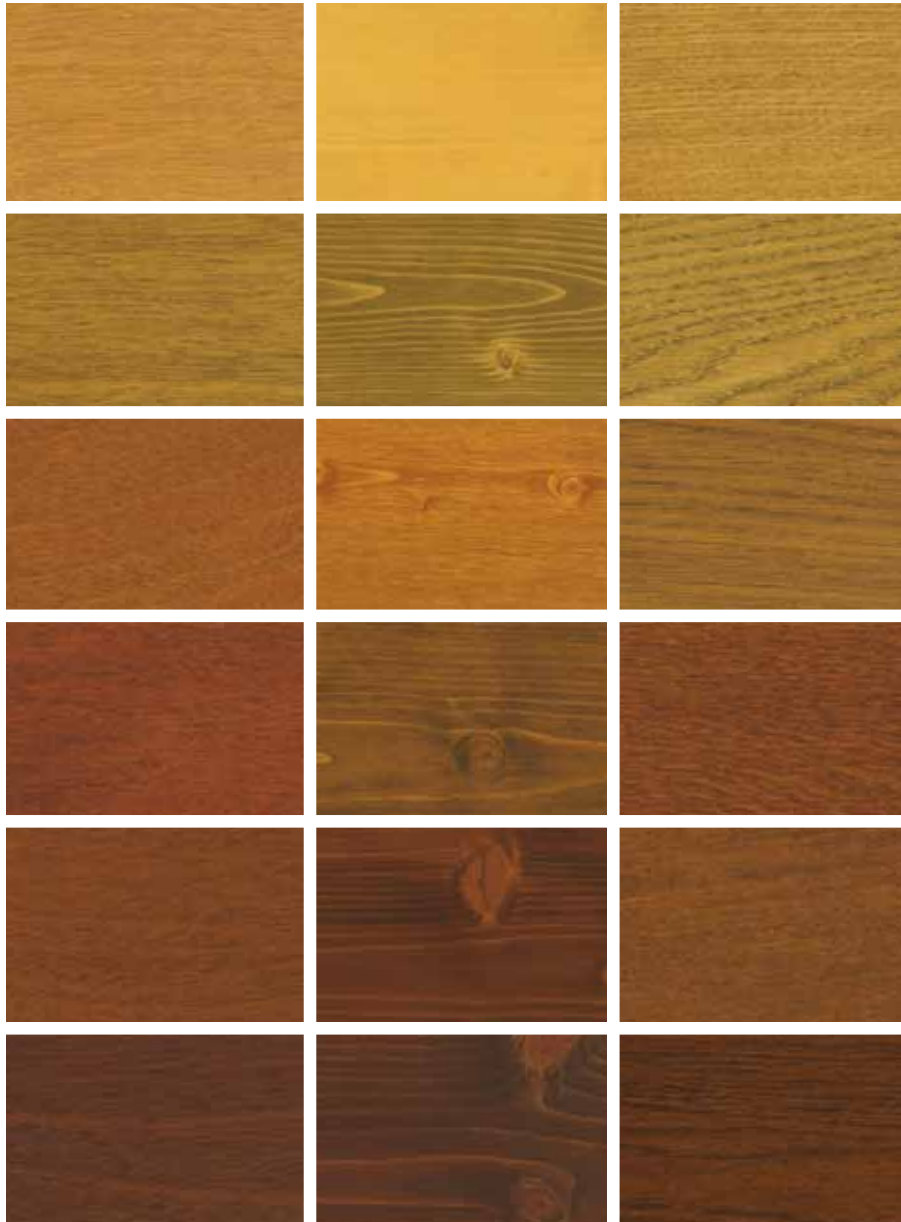
Oak

Douglas

Cherry

Mahogany

Walnut





LARCHES



Brushed Tortora



Brushed Naturale



Brushed Black



Brushed Sabbia

TEAK



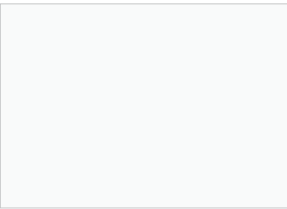
Pigmented Varnish

LARCHES

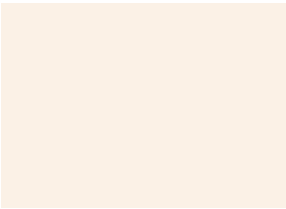


Pigmented Varnish

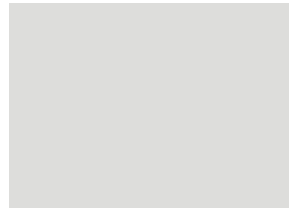
LAQUERED RAL



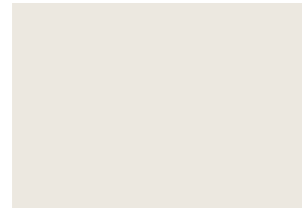
9016 - Traffic White



1015 - Light Ivory



7035 - Light Grey



9002 - Grey White



7040 - Window Grey



9006 - White Aluminium



7044 - Silk Grey



7030 - Stone Grey



5003 - Sapphire Blue



6005 - Moss Green



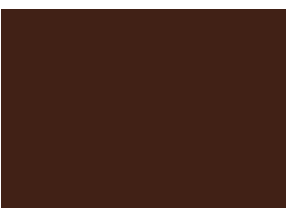
3003 - Rubinet



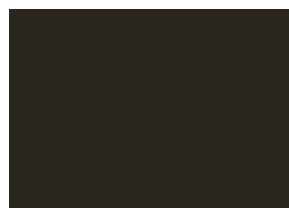
6009 - Fir Green



7016 - Anthracite Grey



8016 - Mahogany Brown



8019 - Grey Brown

Actual color might be different from color samples. Silvelox reserves the right to make changes without notice.

EMBOSSSED**METAL**

RAL 7016 Anthracite Grey



RAL 6005 Moss Green



RAL 8016 Mahogany Brown



RAL 3016 Coral Red



RAL 7040 Window Grey



RAL 9006 White Aluminium



RAL 9016 Traffic White

WOOD-LIKE:

Light



Medium



Medium-dark



Dark

WOOD TYPE:

Each wood type is proposed in a variety of finishes, using a water-based special paint, which ensures a satin finish and the best enhancement of the wood and an improved product durability. Two types of “treatments”: impregnated and lacquered.

METAL COATING:

The metal coating applied to the Multiecowood panels is available in 3 different versions:

LAQUERED - available in 15 standard RAL colors or in RAL colors of your choice,

EMBOSSSED - an embossed film is available in 7 standard colors,

WOOD-LIKE - a wood-like film is available in the 4 standard wood colors.

+ OPTIONS

HANDLES

Upon customer request, it is possible to enrich OVERLAP with a double handle (standard finish Platinbronze), which allows the manual operation of the door; the double handle becomes mandatory in the case of a garage with no other entrance or for

a manual door. To have always an optimal aesthetic integration, the handle is available in the following finishes: Platinbronze, Platinsilver, Aged Bronze or lacquered RAL.



Platinbronze



Platinsilver



Aged bronze



DUO Model - Laquered okumè, RAL 9016 with Platinbronze double handle

+ TECHNOLOGY

PATENTED

OVERLAP TECHNOLOGY is a patented technology by Silvelox, which allows to the OVERLAP two sections to translate, rotate and finally overlap, requiring the minimum space in height and depth.

OVERLAP TECHNOLOGY
innovative design

OVERLAP TECHNOLOGY groups the patented systems SILROLL, SILBLOCK and SILHOOK.



PATENTED DOUBLE ROLLER 1/2
To obtain the minimum dimension with door open.



PATENTED DOUBLE ROLLER 2/2
Allows inward panel displacement, for an improved safety.



PATENTED LOCKING SPRING
It provides burglary and wind resistance.



LOCKING SYSTEM WITH HOOKS
Allows you to increase security and is independent from the operator.

+ COMFORT

AUTOMATION

The OVERLAP sectional door is equipped with the Silvelox operator, which works for all garage door sizes available in the catalog.

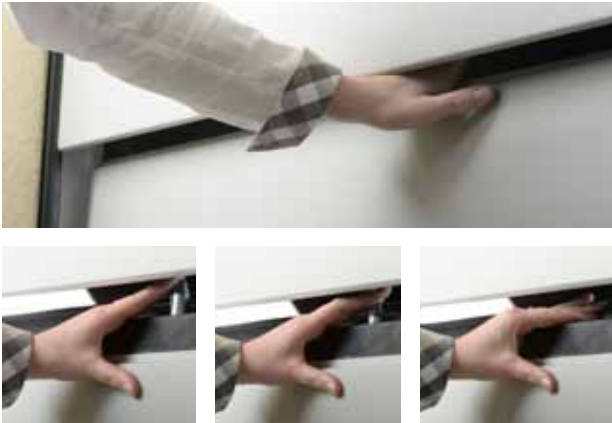
Completely integrated in the head-bar, it does not require any ceiling track and does not reduce the door clearance. Thanks to a self-diagnostic system, in case of malfunction, a flashing red LED, suggests to call for service repair. In case of power failure or of a malfunction, the operator can be disengaged and it is possible to operate the door manually.



REMOTE CONTROLLING: For automatic door operation, two or four channel remote controls are available. They ensure the state-of-art in security against cloning. The Silvelox remote controls are compatible with Homelink.

NUMERIC KEYPAD: made of stainless steel vandal-proof, is suitable for external application to the wall. The typed numerical code is processed by the electronic board and, if recognized as valid, generates the door opening.

+ SAFETY



ANTI-ENTRAPMENT

The anti-entrapment safety is ensured during closing by the operator current control, which senses the presence of any kind of obstacle and by the SILROLL, patented mechanical system, which avoids injuries in case of entrapment between the sections.

Mechanical anti-entrapment system SILROLL



Electronic anti-entrapment system of the operator



Watch the video

+ INSULATION

THE COMPLETE DOOR FOR YOUR HOUSE INSULATION

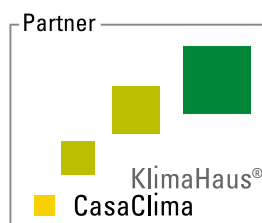
In the last years, the housing industry cares more and more about energy saving and sustainability. Silvelox devoted always great importance to these themes, so as to obtain the Certification Partners KlimaHaus. The energy saving criteria require that the elements of the building envelope have a low thermal transmittance value, so as to reduce heat dispersion.

The OVERLAP Multiecowood panel is based on a production technology that enhances the wood for its proven durability, resistance and eco-compatibility, ensuring the door a thermal transmittance value of up to $U = 1.00 \text{ W / m}^2 \text{ K}$ (value obtained for a door without windows and grills with behind wall installation).



THERMAL TRANSMITTANCE up to $U = 1,00 \text{ W/m}^2\text{K}^*$

* door without windows and grills with behind wall installation



+ FLEXIBILITY

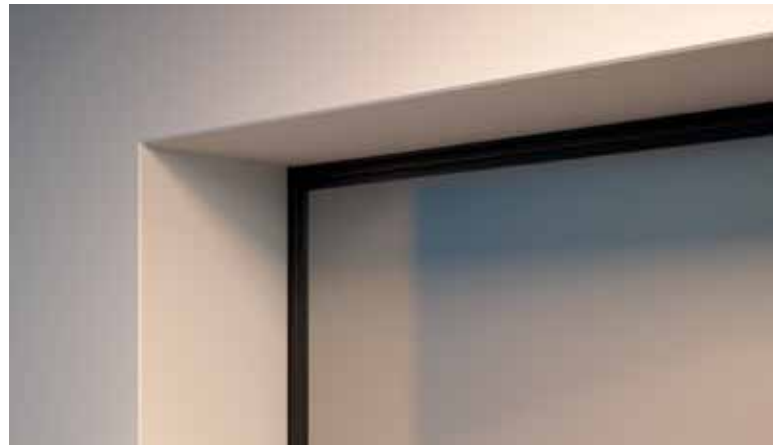
IN INSTALLATION



BETWEEN WALL INSTALLATION

This installation type is suited in case the wall opening does not allow fixing behind the opening. It is especially common in the case of a door replacement. Thanks to the self-supporting frame, OVERLAP can be fixed directly to the wall both laterally and superiorly, without the need for more supports. Cover boards are available on request, including insulating material, for complete coverage of the gap between frame and wall, without compromising the aesthetics and the seal of the door.



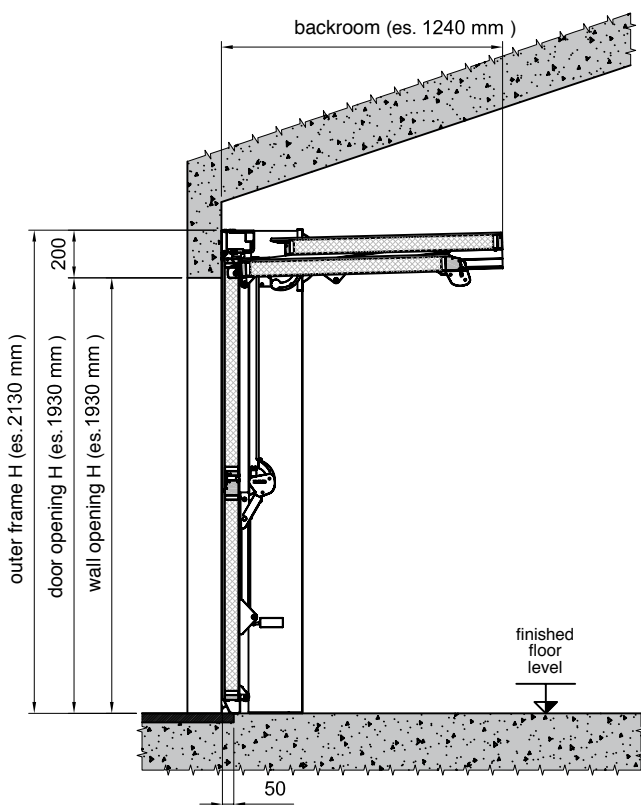


BEHIND WALL INSTALLATION

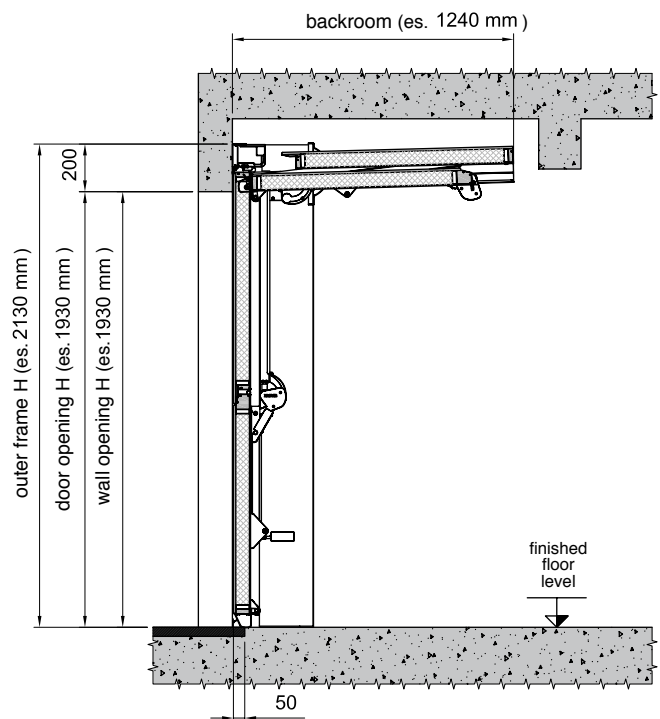
This installation is performed when the wall opening presents enough side-room and head-room. In this case, the door frame is anchored behind the wall and it is possible to maximize door clearance. This solution should be preferred as it allows a better thermal insulation of the garage.

+ SOLUTIONS

The OVERLAP sectional door has an architecture that fits many type of buildings. It can be used in special situations which are characterized by the presence of slanted, vaulted, or beamed ceilings, and with oblique side walls or presenting a low radius of curvature.



Garage with slanted ceiling

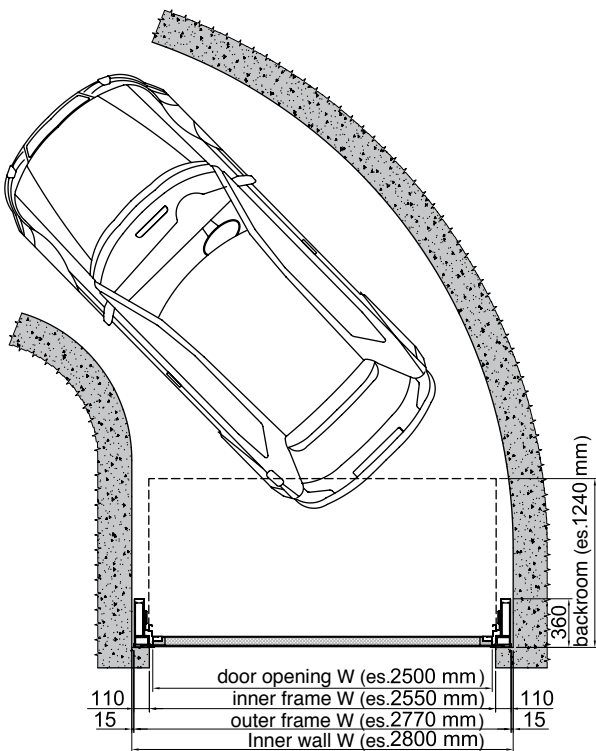


Garage with ceiling lowered by beams

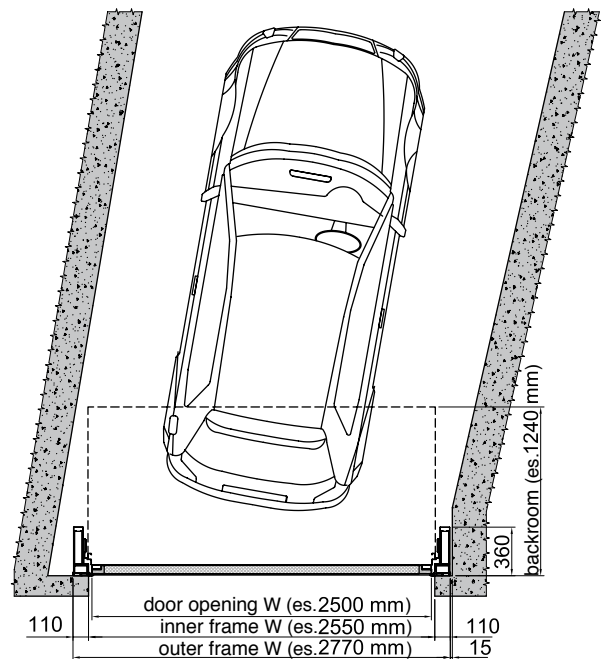


A SIGNIFICANT EXAMPLE

Thanks to the absence of ceiling tracks, OVERLAP allows the opening of a window placed on the side wall of the garage.



Garage with side walls presenting a low radius of curvature



Garage with oblique side walls

+ SPACE

DOOR CLEARANCE

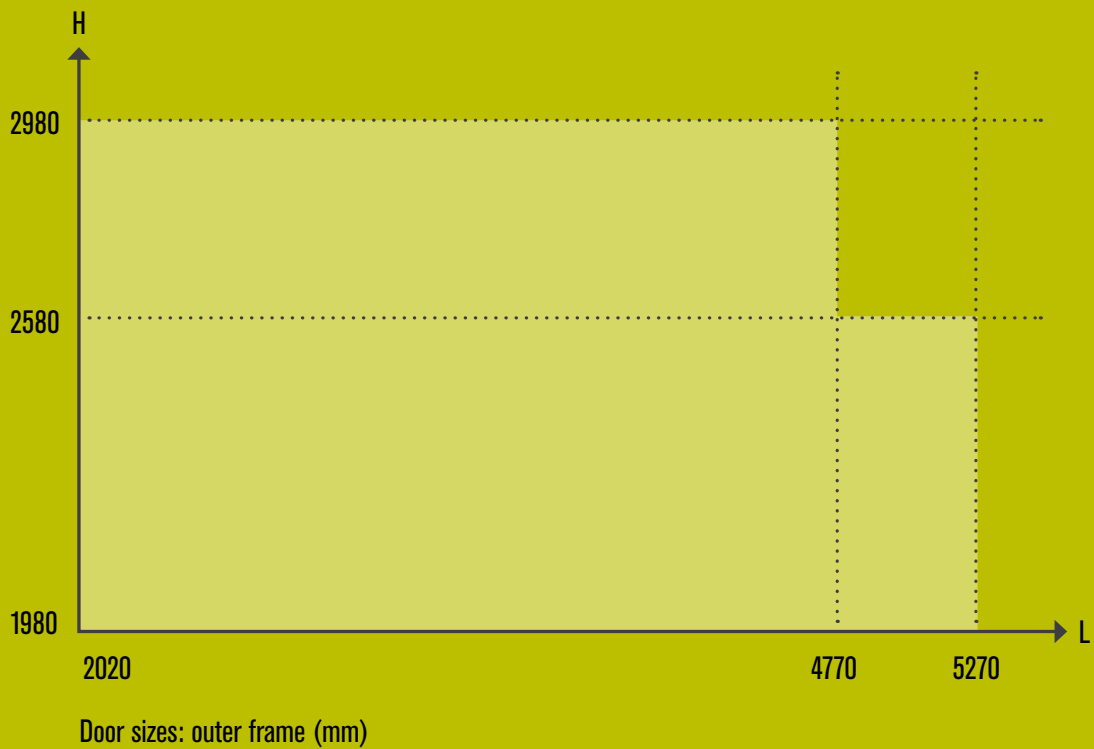
You can park the car immediately behind the door both inside and outside; ideal for low-depth garages or openings flush with the street.





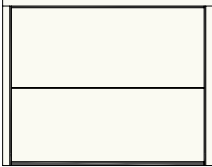


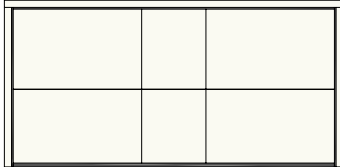
+ SIZE

CUSTOM SIZE

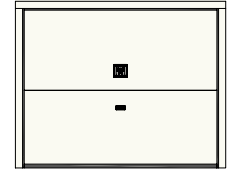
OVERLAP is always custom made, both in width and height in steps of 50 mm. The aesthetics are adapted proportionally to size variation, keeping the overall effect appealing and harmonious.



DUO



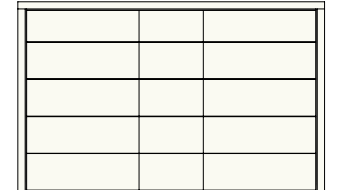


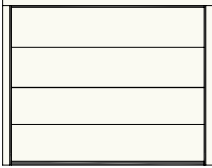



| | W outer frame from 2020 mm to 3270 mm | W outer frame from 3320 mm to 5270 mm* |
|---------------------------------------|--|---|
| H outer frame from 2630 mm to 2980 mm | N/A | N/A |
| H outer frame from 1980 mm to 2580 mm |    <p>drawing referred to a W 3270 mm by H 2580 mm door</p> |    <p>drawing referred to a W 5270 mm by H 2580 mm door</p> |

E.g. Door with double handle

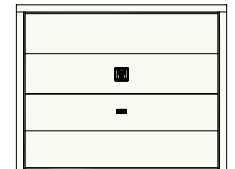


drawing referred to a W 3270 mm by H 2580 mm door

EMI

| | W outer frame from 2020 mm to 3270 mm | W outer frame from 3320 mm to 5270 mm* |
|---------------------------------------|--|---|
| H outer frame from 2630 mm to 2980 mm |   <p>drawing referred to a W 3270 mm by H 2980 mm door</p> |   <p>drawing referred to a W 4770 mm by H 2980 mm door</p> |
| H outer frame from 1980 mm to 2580 mm |    <p>drawing referred to a W 3270 mm by H 2580 mm door</p> |    <p>drawing referred to a W 5270 mm by H 2580 mm door</p> |

E.g. Door with double handle

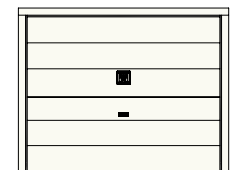


drawing referred to a W 3270 mm by H 2580 mm door

SIX

| | W outer frame from 2020 mm to 3270 mm | W outer frame from 3320 mm to 5270 mm* |
|---------------------------------------|--|---|
| H outer frame from 2630 mm to 2980 mm |   <p>drawing referred to a W 3270 mm by H 2980 mm door</p> |   <p>drawing referred to a W 4770 mm by H 2980 mm door</p> |
| H outer frame from 1980 mm to 2580 mm |    <p>drawing referred to a W 3270 mm by H 2580 mm door</p> |    <p>drawing referred to a W 5270 mm by H 2580 mm door</p> |

E.g. Door with double handle


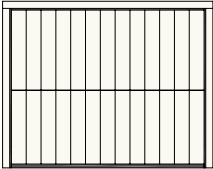

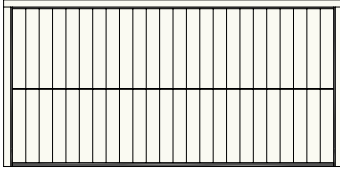


drawing referred to a W 3270 mm by H 2580 mm door

52 * Doors with outer frame H from 2630 to 2980 mm can be made outer frame W up to 4770 mm

Drawings subject to variations based on door size.

VIP


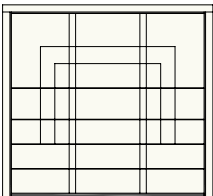

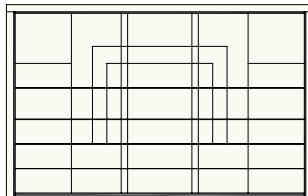

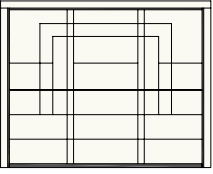

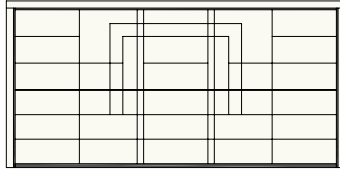
| | W outer frame from 2020 mm to 3270 mm | W outer frame from 3320 mm to 5270 mm* |
|---------------------------------------|--|---|
| H outer frame from 2630 mm to 2980 mm | N/A | N/A |
| H outer frame from 1980 mm to 2580 mm |   <p>drawing referred to a W 3270 mm by H 2580 mm door</p> |   <p>drawing referred to a W 5270 mm by H 2580 mm door</p> |

E.g. Door with double handle

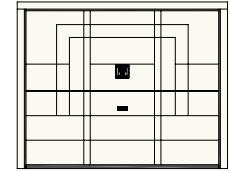


E.g. Door with double handle

ARA


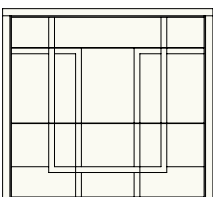

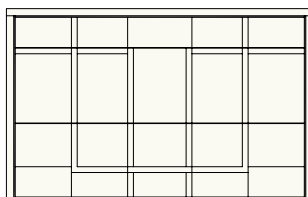

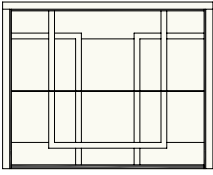

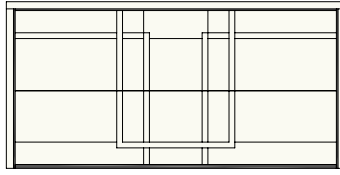
| | W outer frame from 2020 mm to 3270 mm | W outer frame from 3320 mm to 5270 mm* |
|---------------------------------------|--|---|
| H outer frame from 2630 mm to 2980 mm |   <p>drawing referred to a W 3270 mm by H 2980 mm door</p> |   <p>drawing referred to a W 4770 mm by H 2980 mm door</p> |
| H outer frame from 1980 mm to 2580 mm |   <p>drawing referred to a W 3270 mm by H 2580 mm door</p> |   <p>drawing referred to a W 5270 mm by H 2580 mm door</p> |

E.g. Door with double handle

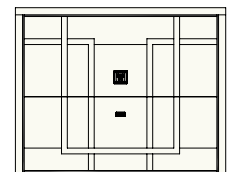


E.g. Door with double handle

TAU

| | W outer frame from 2020 mm to 3270 mm | W outer frame from 3320 mm to 5270 mm* |
|---------------------------------------|--|---|
| H outer frame from 2630 mm to 2980 mm |   <p>drawing referred to a W 3270 mm by H 2980 mm door</p> |   <p>drawing referred to a W 4770 mm by H 2980 mm door</p> |
| H outer frame from 1980 mm to 2580 mm |   <p>drawing referred to a W 3270 mm by H 2580 mm door</p> |   <p>drawing referred to a W 5270 mm by H 2580 mm door</p> |

E.g. Door with double handle

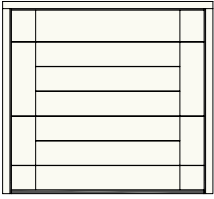
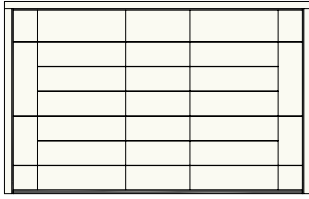
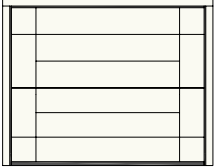
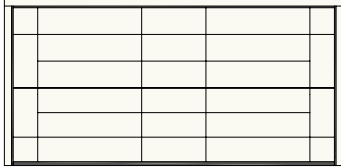


drawing referred to a W 3270 mm by H 2580 mm door

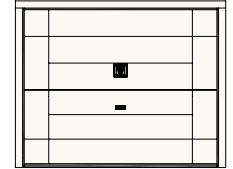
* Doors with outer frame H from 2630 to 2980 mm can be made outer frame W up to 4770 mm

Drawings subject to variations based on door size.

GEO

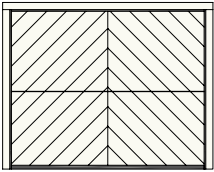
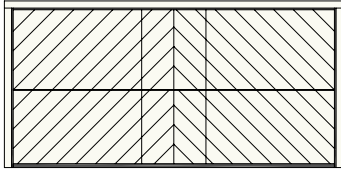
| | W outer frame from 2020 mm to 3270 mm | W outer frame from 3320 mm to 5270 mm* |
|---------------------------------------|--|---|
| H outer frame from 2630 mm to 2980 mm |  <p>WOOD</p> <p>drawing referred to a W 3270 mm by H 2980 mm door</p> |  <p>WOOD</p> <p>drawing referred to a W 4770 mm by H 2980 mm door</p> |
| H outer frame from 1980 mm to 2580 mm |  <p>WOOD</p> <p>drawing referred to a W 3270 mm by H 2580 mm door</p> |  <p>WOOD</p> <p>drawing referred to a W 5270 mm by H 2580 mm door</p> |

E.g. Door with double handle

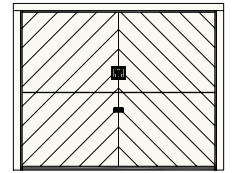


drawing referred to a W 3270 mm by H 2580 mm door

SPI


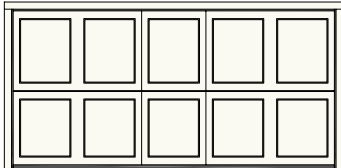
| | W outer frame from 2020 mm to 3270 mm | W outer frame from 3320 mm to 5270 mm* |
|---------------------------------------|--|---|
| H outer frame from 2630 mm to 2980 mm | N/A | N/A |
| H outer frame from 1980 mm to 2580 mm |  <p>WOOD</p> <p>drawing referred to a W 3270 mm by H 2580 mm door</p> |  <p>WOOD</p> <p>drawing referred to a W 5270 mm by H 2580 mm door</p> |

E.g. Door with double handle

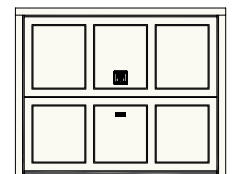


drawing referred to a W 3270 mm by H 2580 mm door

BOX

| | W outer frame from 2020 mm to 3270 mm | W outer frame from 3320 mm to 5270 mm* |
|---------------------------------------|--|---|
| H outer frame from 2630 mm to 2980 mm | N/A | N/A |
| H outer frame from 1980 mm to 2580 mm |  <p>WOOD</p> <p>drawing referred to a W 3270 mm by H 2580 mm door</p> |  <p>WOOD</p> <p>drawing referred to a W 5270 mm by H 2580 mm door</p> |

E.g. Door with double handle


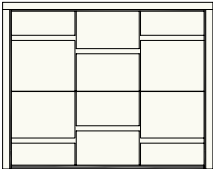

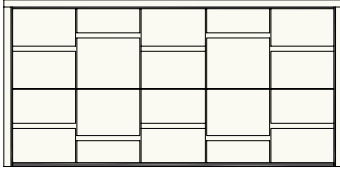


drawing referred to a W 3270 mm by H 2580 mm door

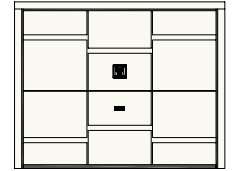
54 * Doors with outer frame H from 2630 to 2980 mm can be made outer frame W up to 4770 mm

Drawings subject to variations based on door size.

SLOT




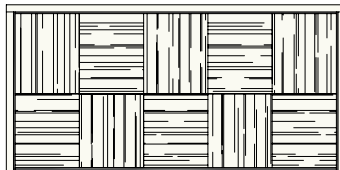
| | W outer frame from 2020 mm to 3270 mm | W outer frame from 3320 mm to 5270 mm* |
|---------------------------------------|--|---|
| H outer frame from 2630 mm to 2980 mm | N/A | N/A |
| H outer frame from 1980 mm to 2580 mm |   <p>drawing referred to a W 3270 mm by H 2580 mm door</p> |   <p>drawing referred to a W 5270 mm by H 2580 mm door</p> |

E.g. Door with double handle

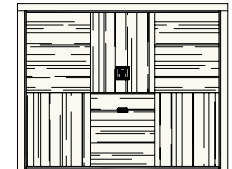


drawing referred to a W 3270 mm by H 2580 mm door

TEX


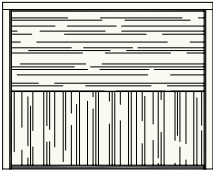

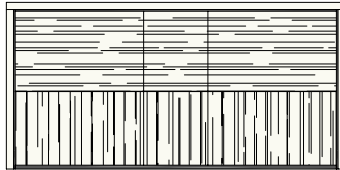
| | W outer frame from 2020 mm to 3270 mm | W outer frame from 3320 mm to 5270 mm* |
|---------------------------------------|--|---|
| H outer frame from 2630 mm to 2980 mm | N/A | N/A |
| H outer frame from 1980 mm to 2580 mm |   <p>drawing referred to a W 3270 mm by H 2580 mm door</p> |   <p>drawing referred to a W 5270 mm by H 2580 mm door</p> |

E.g. Door with double handle

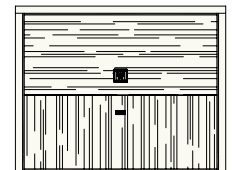


drawing referred to a W 3270 mm by H 2580 mm door

TWO

| | W outer frame from 2020 mm to 3270 mm | W outer frame from 3320 mm to 5270 mm* |
|---------------------------------------|--|---|
| H outer frame from 2630 mm to 2980 mm | N/A | N/A |
| H outer frame from 1980 mm to 2580 mm |   <p>drawing referred to a W 3270 mm by H 2580 mm door</p> |   <p>drawing referred to a W 5270 mm by H 2580 mm door</p> |

E.g. Door with double handle



drawing referred to a W 3270 mm by H 2580 mm door

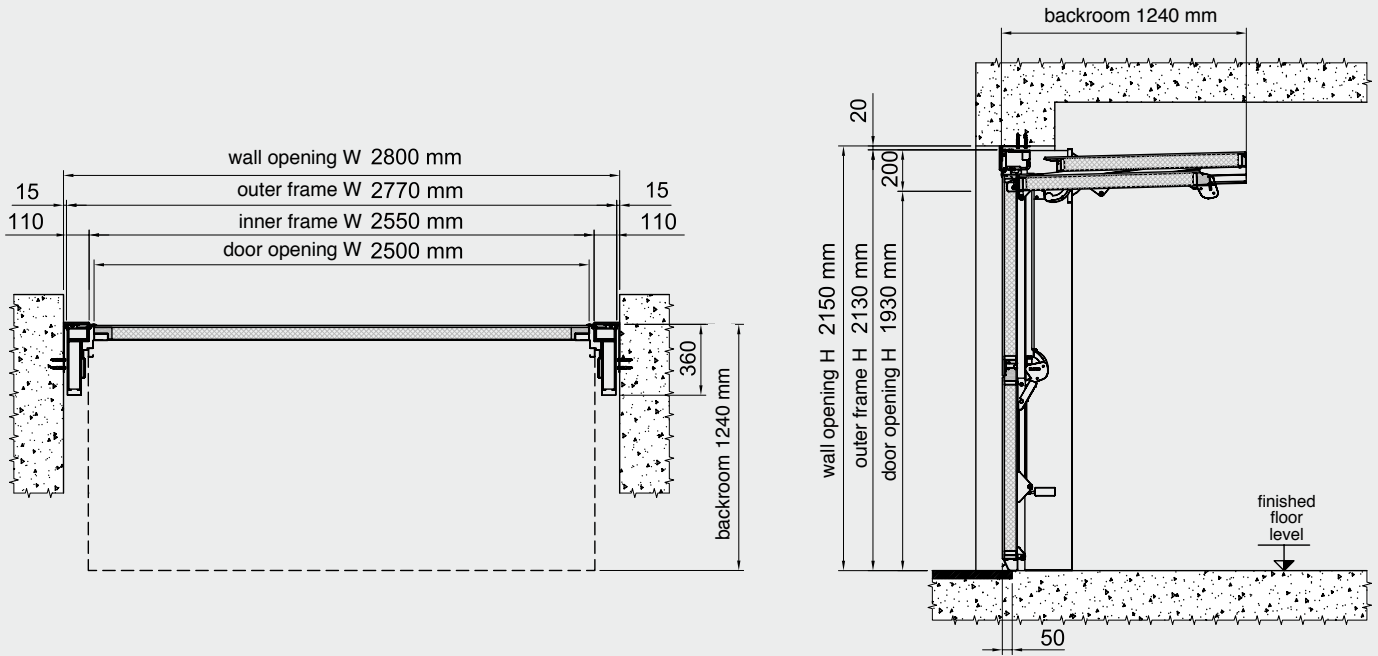
* Doors with outer fram H from 2630 to 2980 mm can be made outer frame W up to 4770 mm

Drawings subject to variations based on door size.

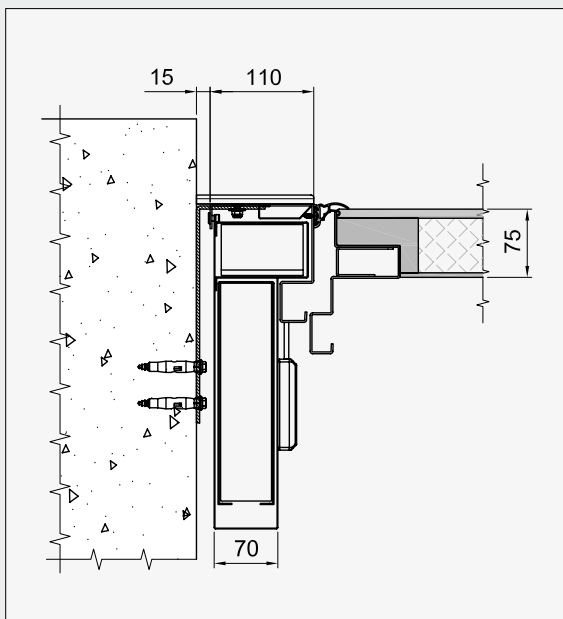
TECH SPECS

Installation types:

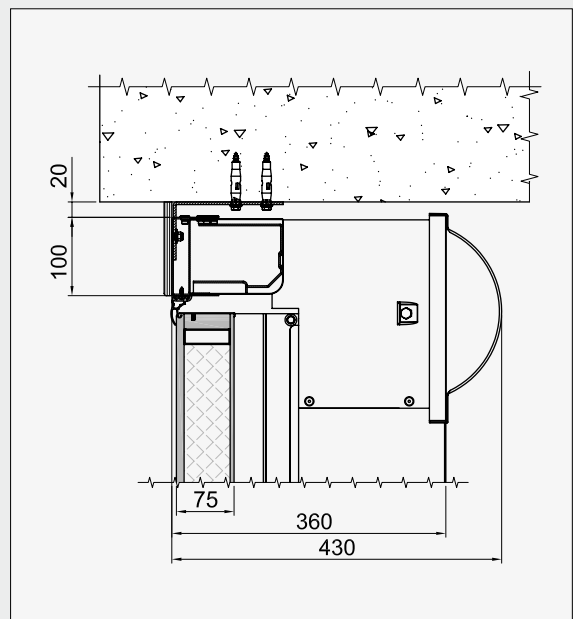
BETWEEN WALL INSTALLATION



FIXING DETAIL OF BETWEEN WALL INSTALLATION



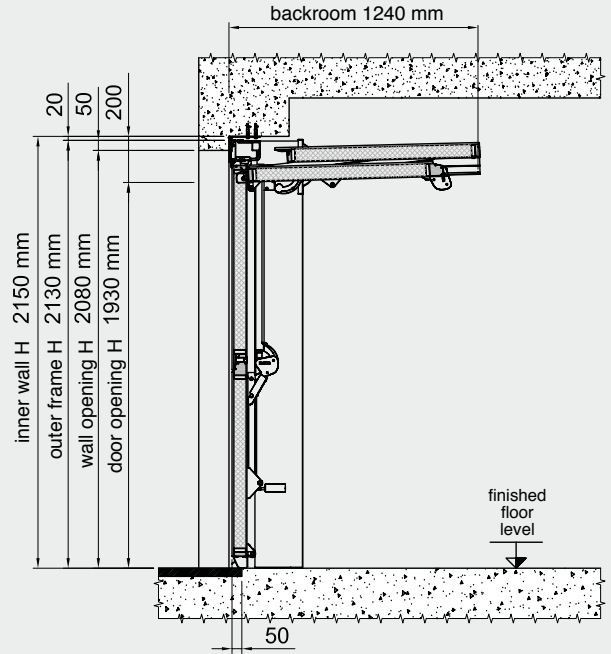
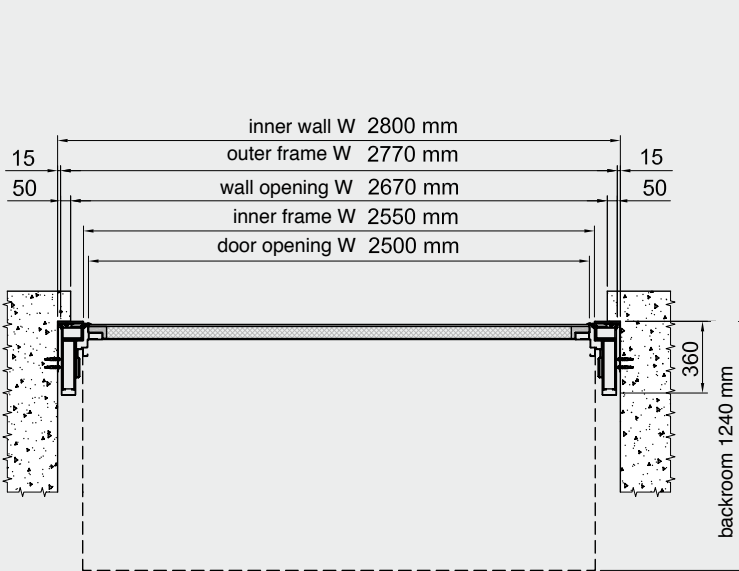
Horizontal section



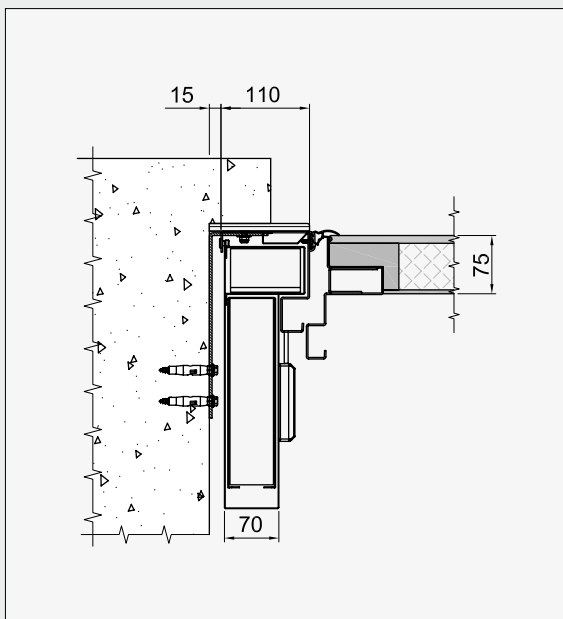
Vertical section

Installation types:

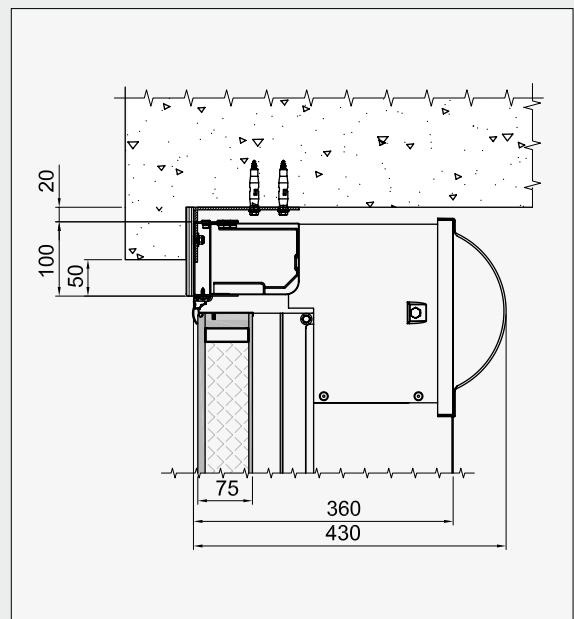
PARTIALLY BETWEEN WALL INSTALLATION



FIXING DETAIL OF PARTIALLY BETWEEN WALL INSTALLATION



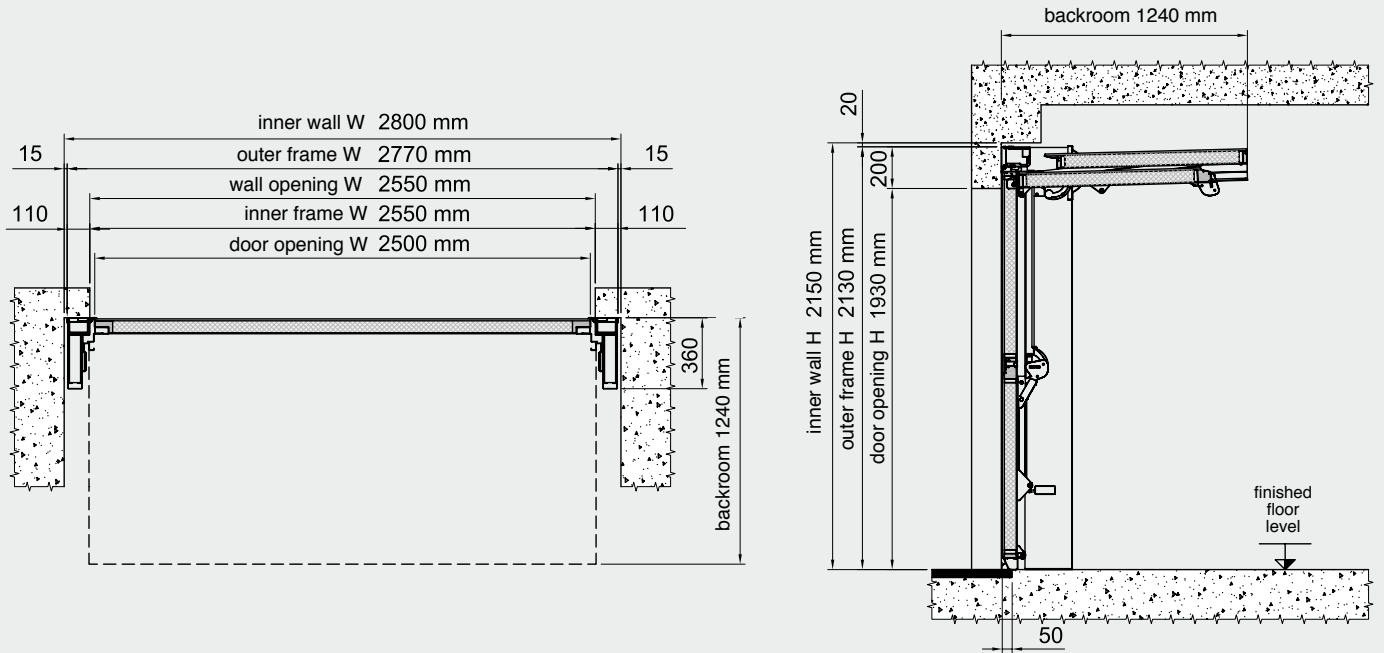
Horizontal section



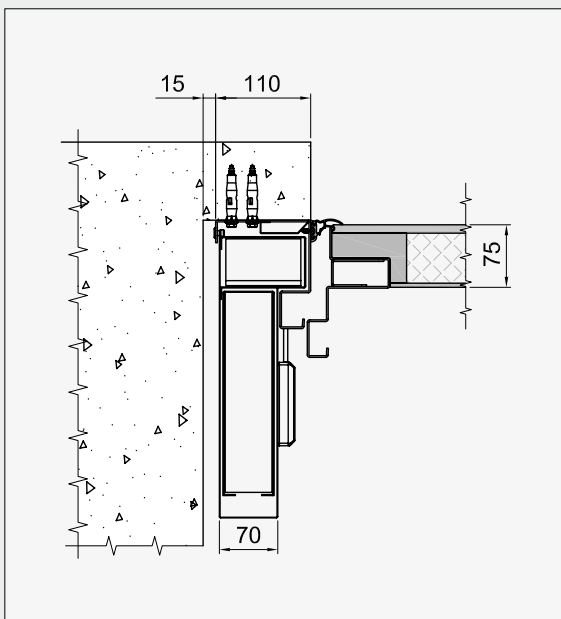
Vertical section

Installation types:

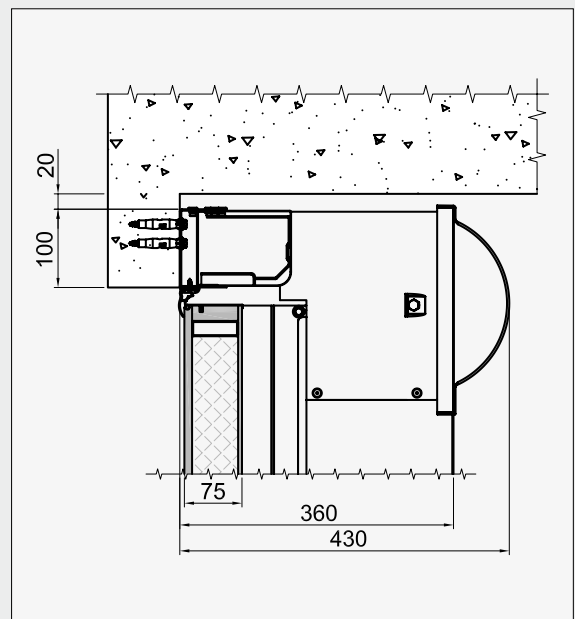
BEHIND WALL INSTALLATION



FIXING DETAIL OF BEHIND WALL INSTALLATION



Horizontal section

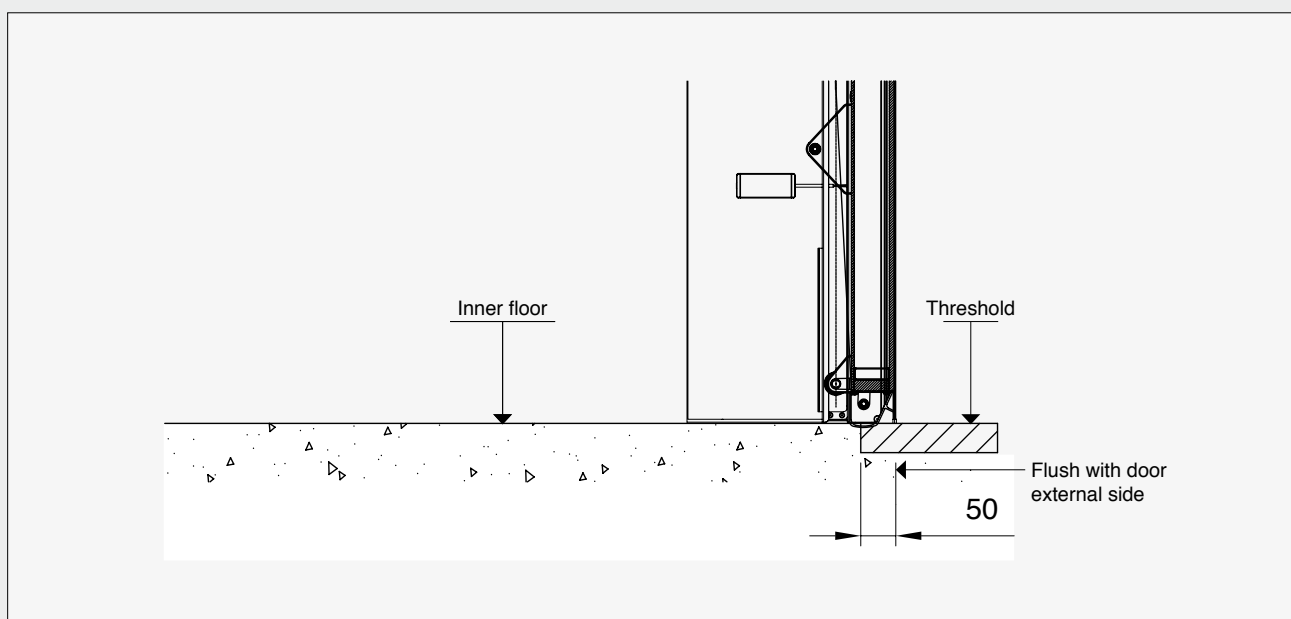


Vertical section

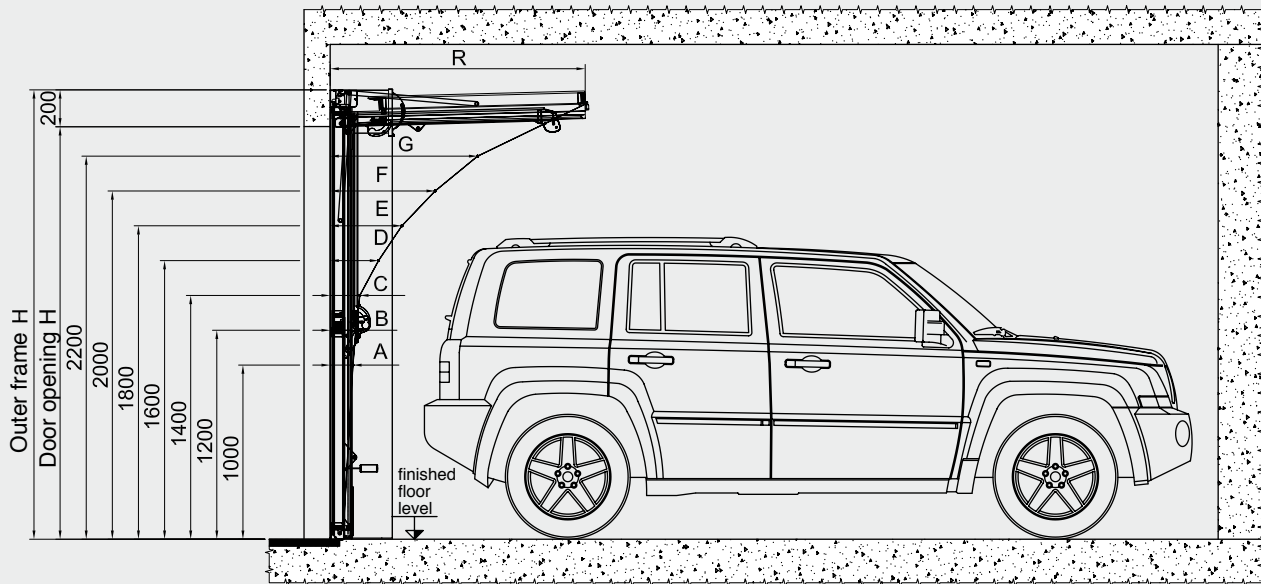
TECH SPECS

- Sectional door made by two overlapping sections
- Sections made by structural sandwich panels in Multi-ecowood 75 mm thick.
- Frame made by 2 mm thick metal sheet, RAL 9016 white traffic varnished.
- Silvelox door operator integrated in the head-bar (for garages with no other accesses, a double handle has to be added, available as accessory). Additional receivers and remote controllers available upon request.
- Balancing through double counterweight system.
- Bottom and perimeter sealing in EPDM rubber anti-entrapment, water and wind proof.
- Outer side varnished with eco-friendly water based products or metal coated.
- Inner side RAL 9016 white traffic lacquered.
- Thermal transmittance $U = 1 \text{ W/m}^2\text{K}$ (value obtained for a door without windows and grills with behind wall installation)
- Excellent performance in terms of acoustic insulation and water/wind proofing.

THRESHOLD DETAIL



DOOR CLEARANCE DIMENSIONS



| Outer frame H | Door opening H | A | B | C | D | E | F | G | R |
|---------------|----------------|--------|--------|--------|--------|--------|--------|--------|------|
| | | H 1000 | H 1200 | H 1400 | H 1600 | H 1800 | H 2000 | H 2200 | |
| 1980 | 1780 | 159 | 244 | 394 | 602 | 924 | / | / | 1165 |
| 2030 | 1830 | 156 | 227 | 369 | 564 | 858 | / | / | 1190 |
| 2080 | 1880 | 152 | 211 | 344 | 525 | 791 | / | / | 1215 |
| 2130 | 1930 | 149 | 194 | 319 | 487 | 725 | / | / | 1240 |
| 2180 | 1980 | 147 | 186 | 300 | 460 | 685 | / | / | 1265 |
| 2230 | 2030 | 145 | 177 | 281 | 432 | 646 | / | / | 1290 |
| 2280 | 2080 | 142 | 169 | 261 | 405 | 606 | / | / | 1315 |
| 2330 | 2130 | 140 | 160 | 242 | 377 | 566 | 776 | / | 1340 |
| 2380 | 2180 | 138 | 158 | 227 | 357 | 536 | 741 | / | 1365 |
| 2430 | 2230 | 137 | 155 | 213 | 338 | 505 | 706 | / | 1390 |
| 2480 | 2280 | 135 | 153 | 198 | 318 | 475 | 670 | / | 1415 |
| 2530 | 2330 | 133 | 150 | 183 | 298 | 444 | 635 | 896 | 1440 |
| 2580 | 2380 | 131 | 148 | 170 | 278 | 412 | 603 | 847 | 1464 |
| 2630 | 2430 | 130 | 147 | 168 | 272 | 405 | 590 | 820 | 1515 |
| 2680 | 2480 | 129 | 146 | 166 | 267 | 399 | 577 | 793 | 1565 |
| 2730 | 2530 | 128 | 144 | 165 | 262 | 394 | 564 | 766 | 1614 |
| 2780 | 2580 | 127 | 143 | 163 | 257 | 388 | 551 | 739 | 1664 |
| 2830 | 2630 | 127 | 142 | 162 | 253 | 383 | 539 | 726 | 1714 |
| 2880 | 2680 | 126 | 141 | 160 | 249 | 377 | 527 | 714 | 1764 |
| 2930 | 2730 | 126 | 140 | 159 | 245 | 372 | 514 | 701 | 1814 |
| 2980 | 2780 | 125 | 139 | 157 | 241 | 366 | 502 | 688 | 1864 |

Measures in mm

+ WARRANTY

Up to 10 years

In addition to the 2-year legal warranty, Silvelox supports its customers over time offering them an additional coverage period for a total of:

- 10 years on metal parts
- 5 years on duration of the waterproof film applied to wood components and on the metal coating applied to the door panels (excluded dark colours)

In accordance with the recommendations in the Silvelox sale conditions and in the installation and owner's manual.

Silvelox S.p.A. in order to improve the quality of its doors, reserves the right to make changes to its products at any time, to improve customers satisfaction. The images in this brochure are for the purposes of representing the product and are purely indicative and not binding.