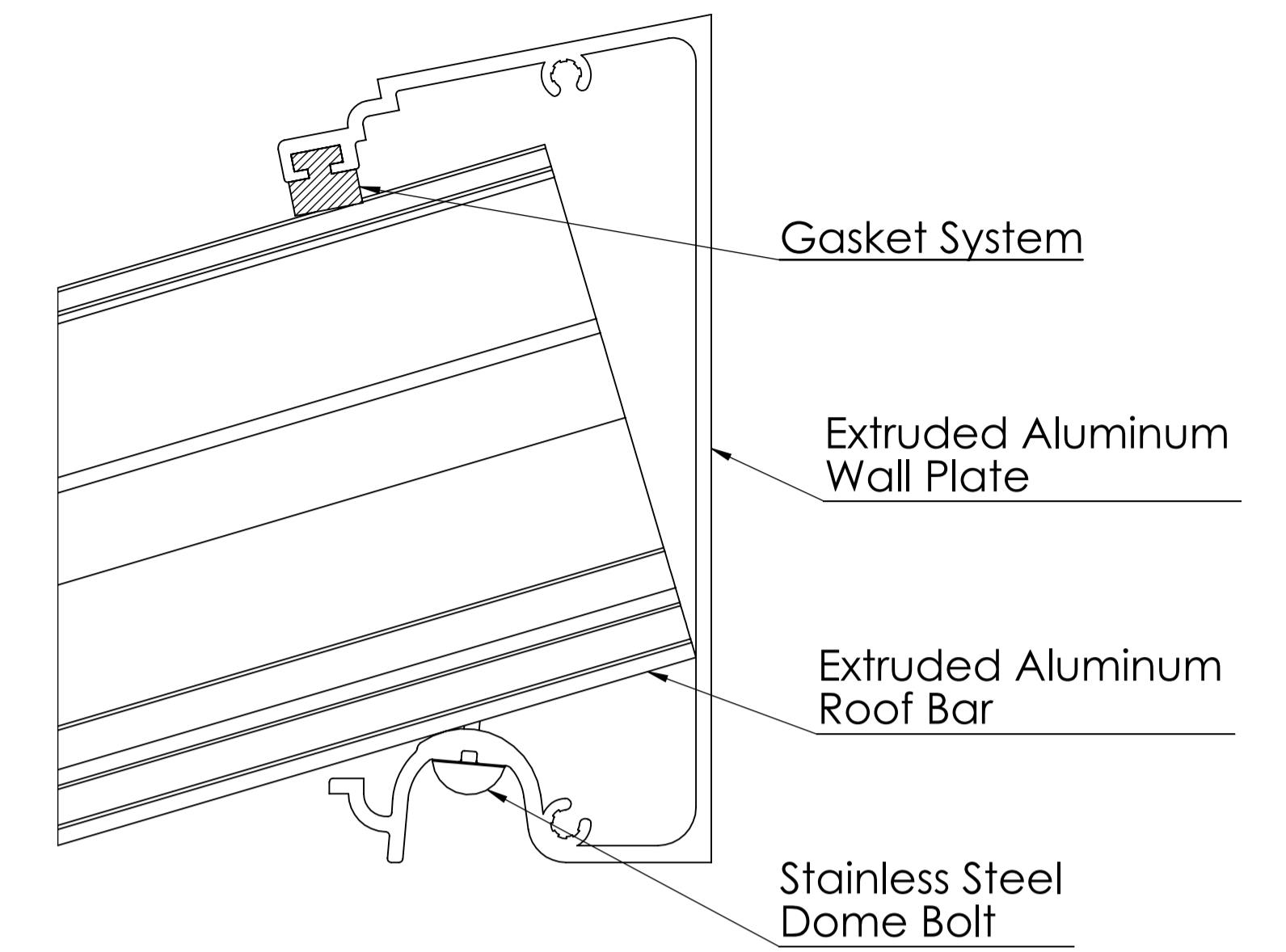
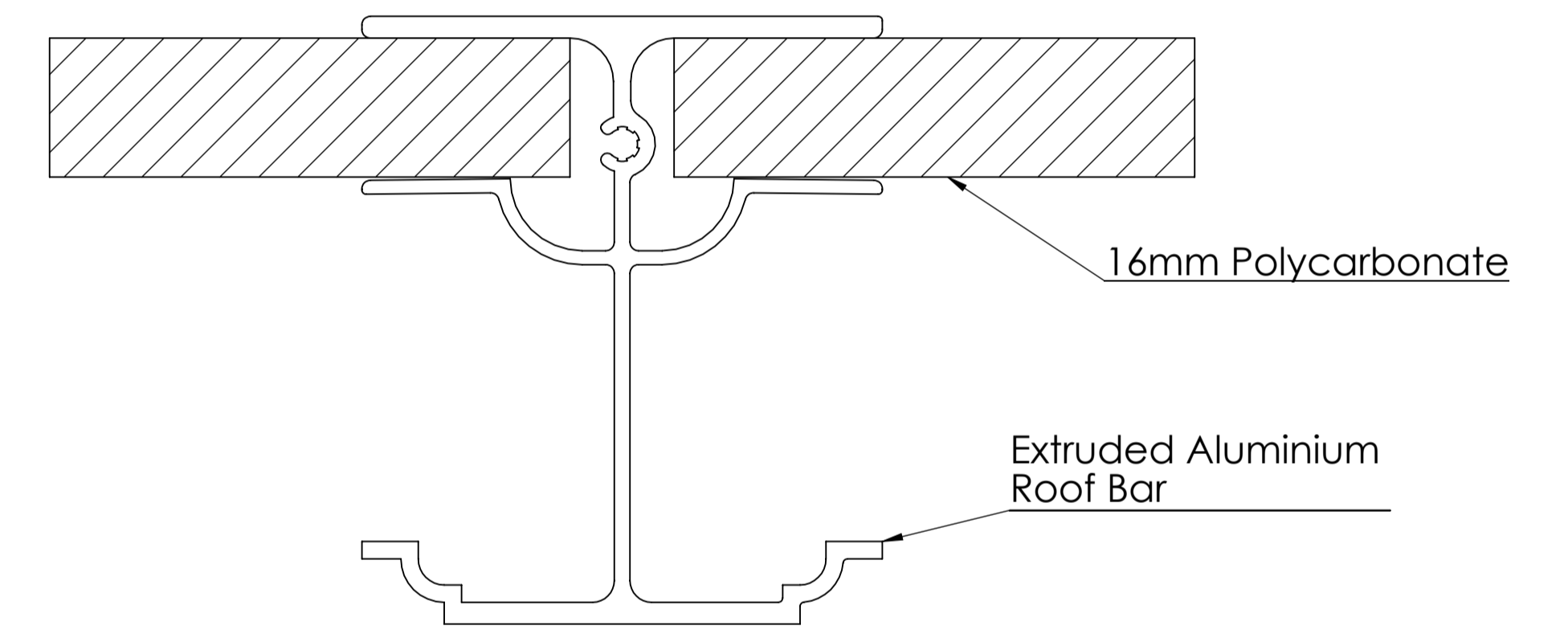


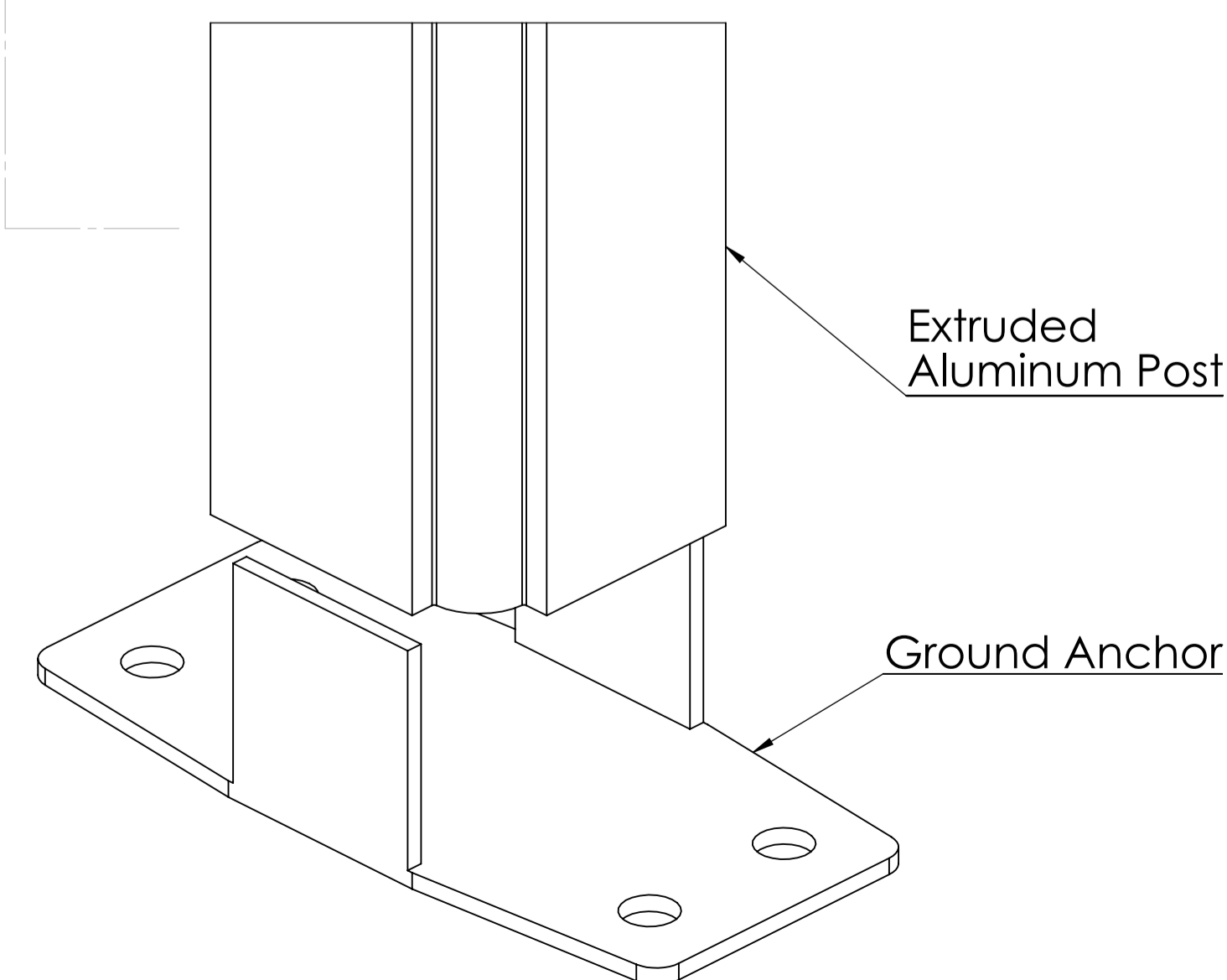
**Wall Plate & Roof Bar Section**



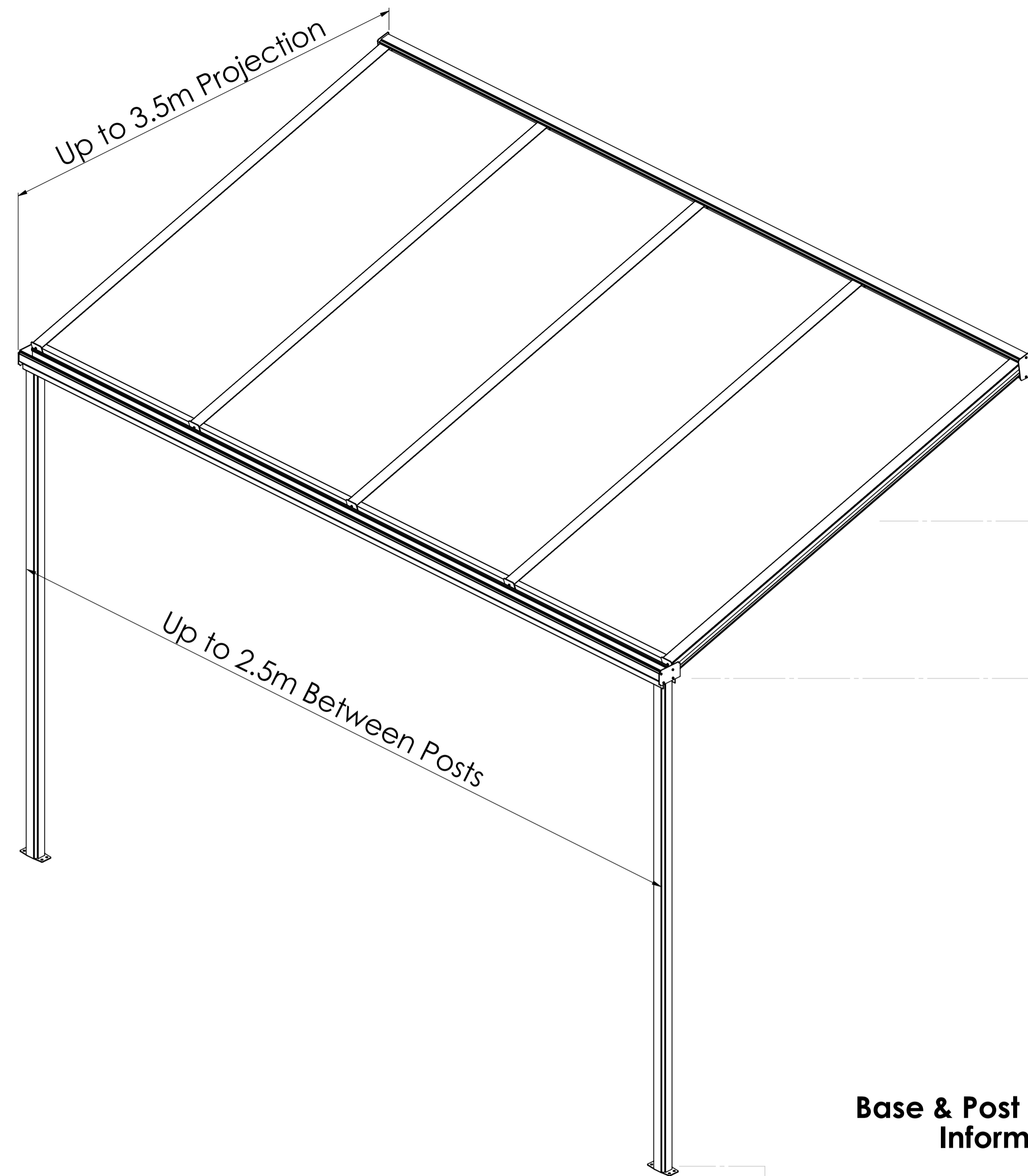
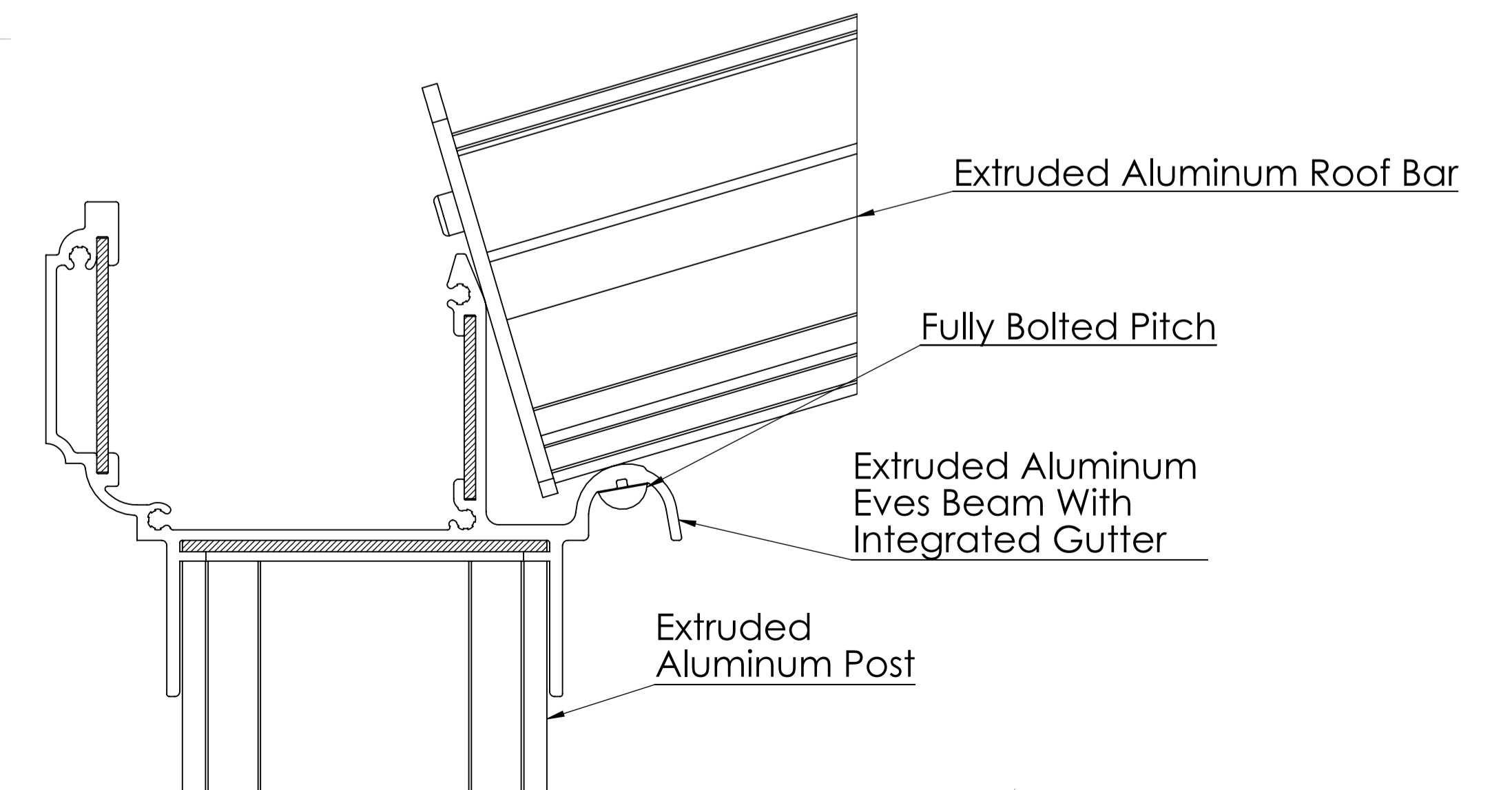
**Roof Bar & Sheet Section**



**Base & Post Connection Information**



**Eaves Beam Roof Bar & Post Section**



**Material List & Component Information**

1. The canopy wall plate is a extruded aluminum profile which fixes to the wall or steel bracket.
2. This canopy uses 16mm structured polycarbonate roof panels, in clear or opal finish.
3. This canopy uses our gasketed 16mm roof system, constructed from T6 grade structural aluminum frame.
4. The canopy is complete with downpipes. Available white as standard or any standard RAL colour.

The frame is available, Powder coated.

**Please note: This is a standardised product data sheet and is subject to change depending on individual cases, or site specific surveys.**

	Page 1 of 1	Date 20-11-13	Page Size A3 (L)	Scale N/A	Drawn CG
<small>This drawing and the product it displays is the sole property of The Milwood Group Ltd. Any reproduction of this drawing or product without the written permission of The Milwood Group Ltd is prohibited.</small>			Finish PPC	Issuer ACS	(Tol) +/- 1mm
				Revision v1	