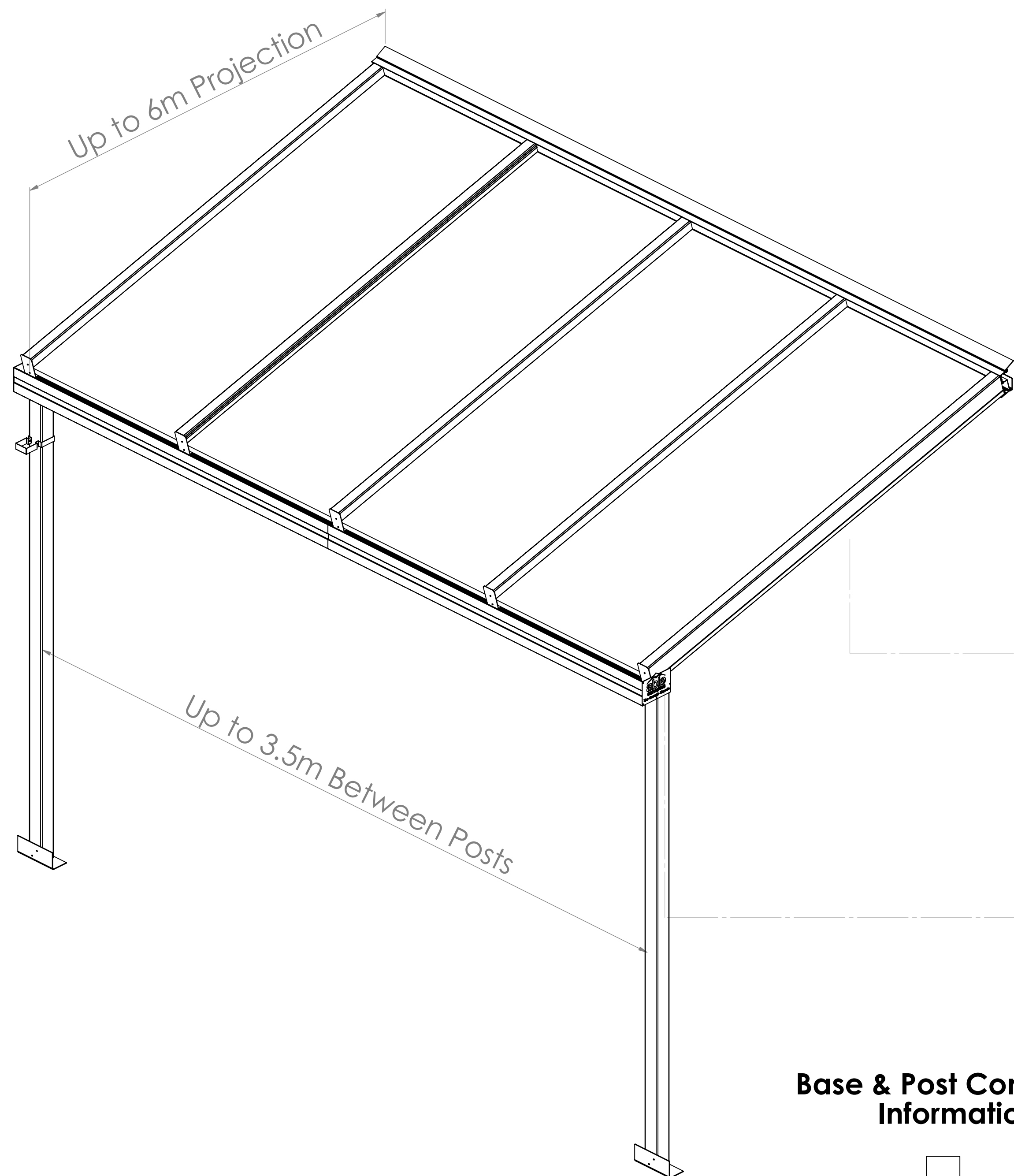
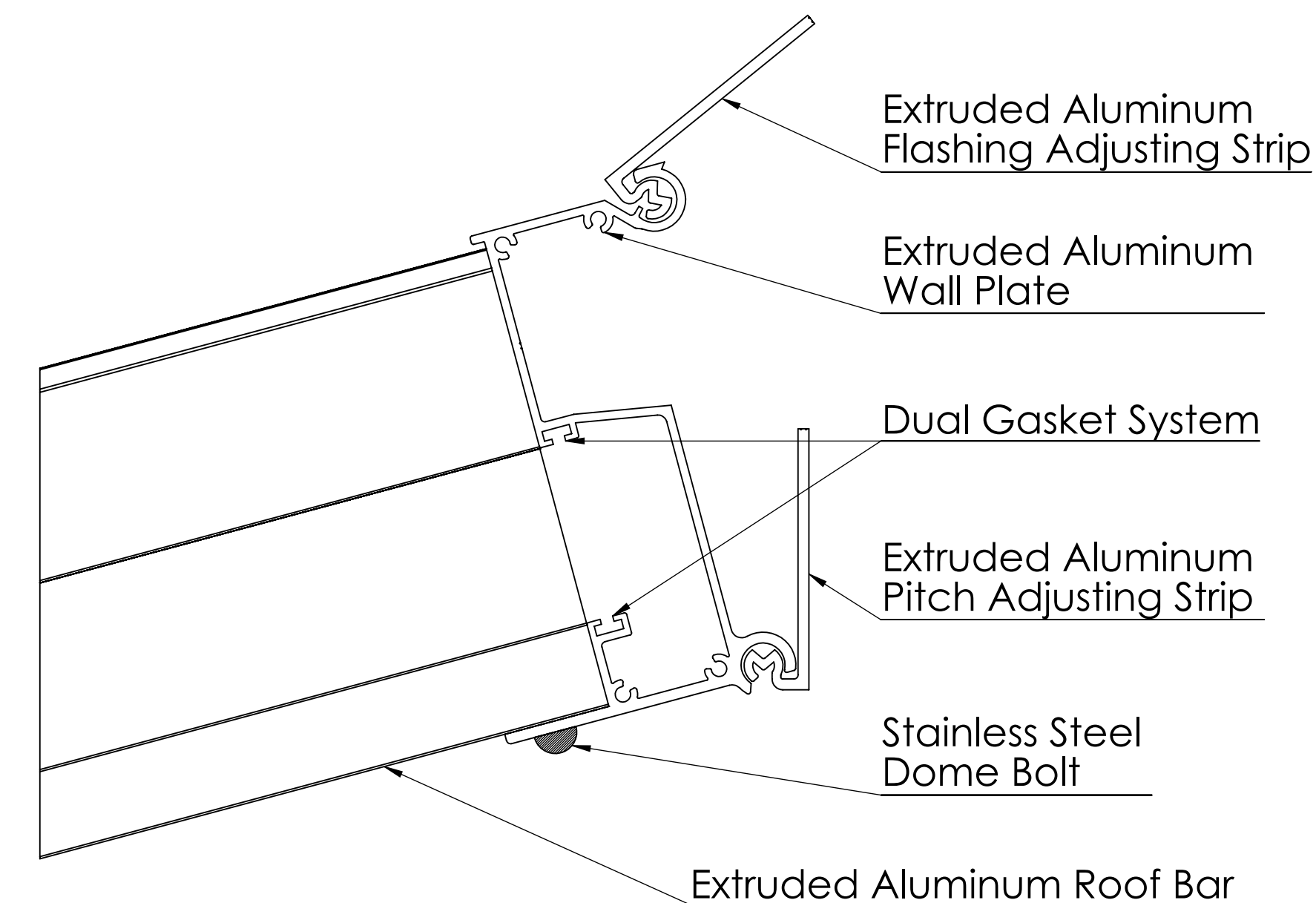


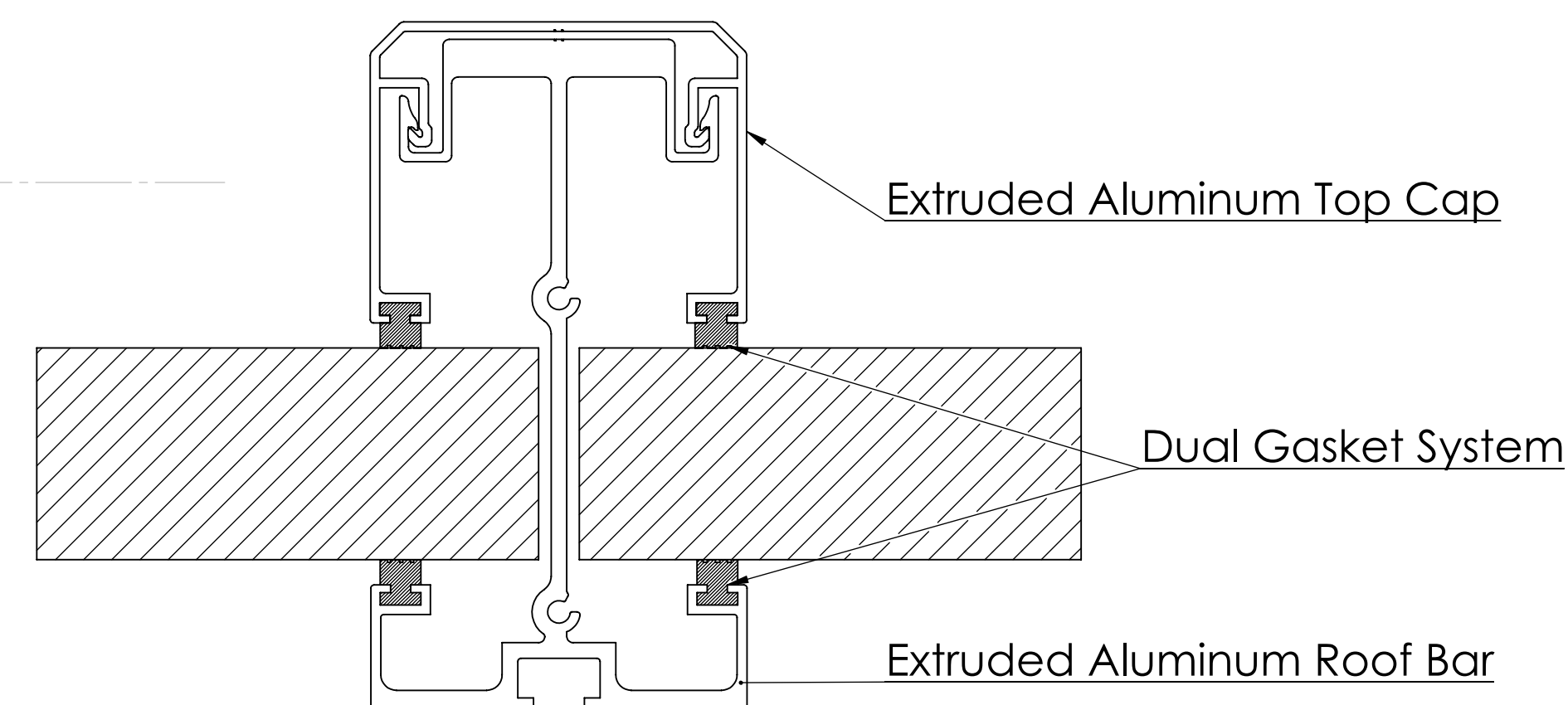
# Simplicity 35mm Wall Mounted System



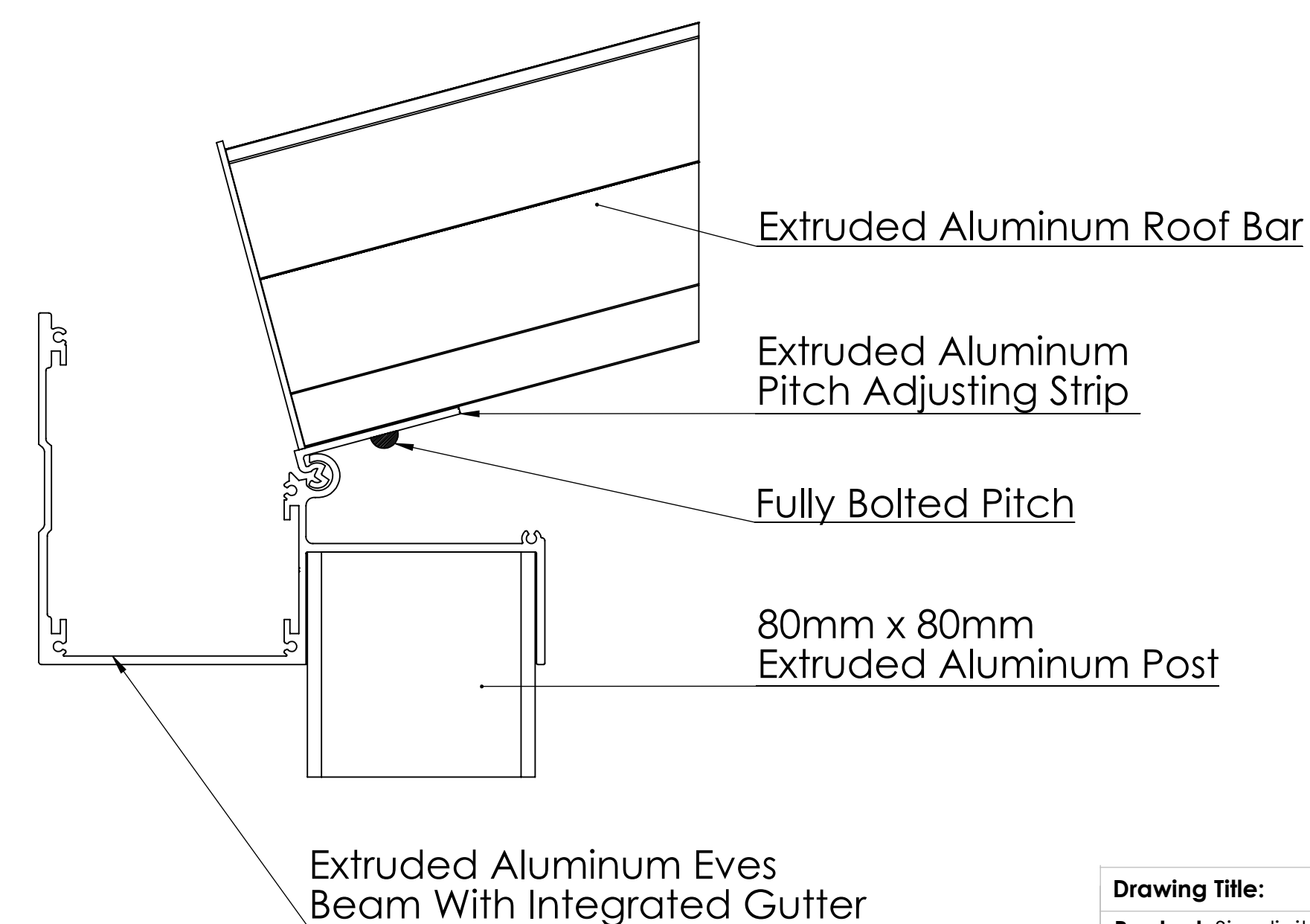
## Wall Plate & Roof Bar Section



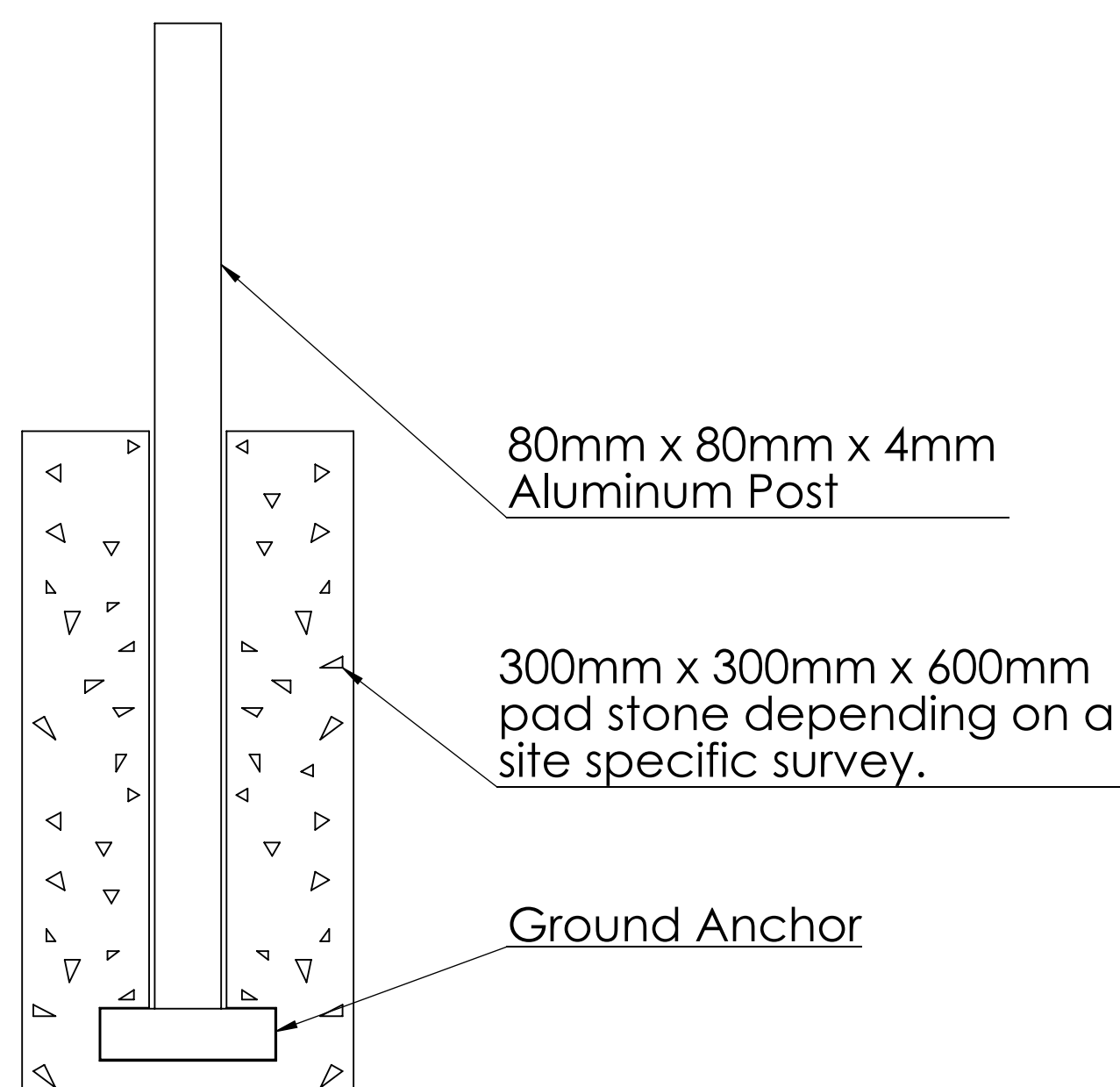
## Roof Bar & Sheet Section



## Eaves Beam Roof Bar & Post Section



## Base & Post Connection Information



## Material List & Component Information

1. The canopy wall plate is a extruded aluminum profile which fixes to the wall or steel bracket. It also has an aluminum strip to seal the canopy to the wall.
2. This canopy uses 35mm structured polycarbonate roof panels, in clear or opal finish.
3. This canopy uses our gasketed 35mm roof system, which is constructed from T6 grade structural aluminum frame.
4. The canopy is complete with downpipes. Available white as standard or any standard RAL colour.
5. The frame of the canopy is made from 80mm x 80mm x 4mm aluminum box section.

The frame is available, Powder coated.

**Please note: This is a standardised product data sheet and is subject to change depending on individual cases, or site specific surveys.**

**Specific drawings are available upon request or on receipt of an order.**

<b>Drawing Title:</b>					
<b>Product:</b> Simplicity 35					
	<b>Page</b> 1 of 1	<b>Date</b> 20-11-13	<b>Page Size</b> A3 (L)	<b>Scale</b> N/A	<b>Drawn</b> CG
<small>This drawing and the product it displays is the sole property of The Milwood Group Ltd. Any reproduction of this drawing or product without the written permission of The Milwood Group Ltd is prohibited.</small>					
<b>Finish</b> PPC	<b>Issuer</b> ACS	<b>(Tol)</b> +/- 1mm	<b>Revision</b> v1		