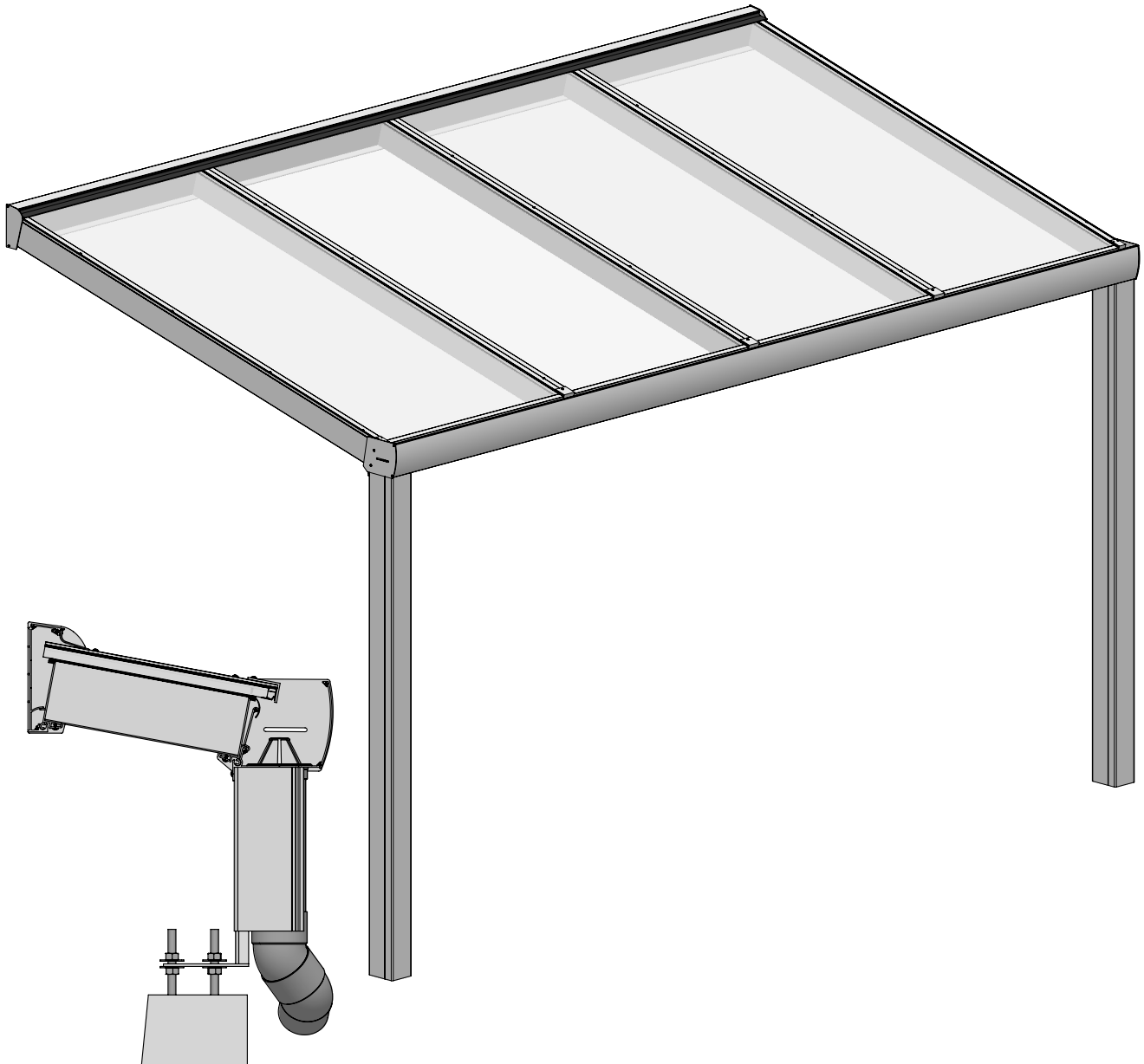


Stanza[®] Patio Roof

Manufacturing and installation guide



Lakeland 
Piazza

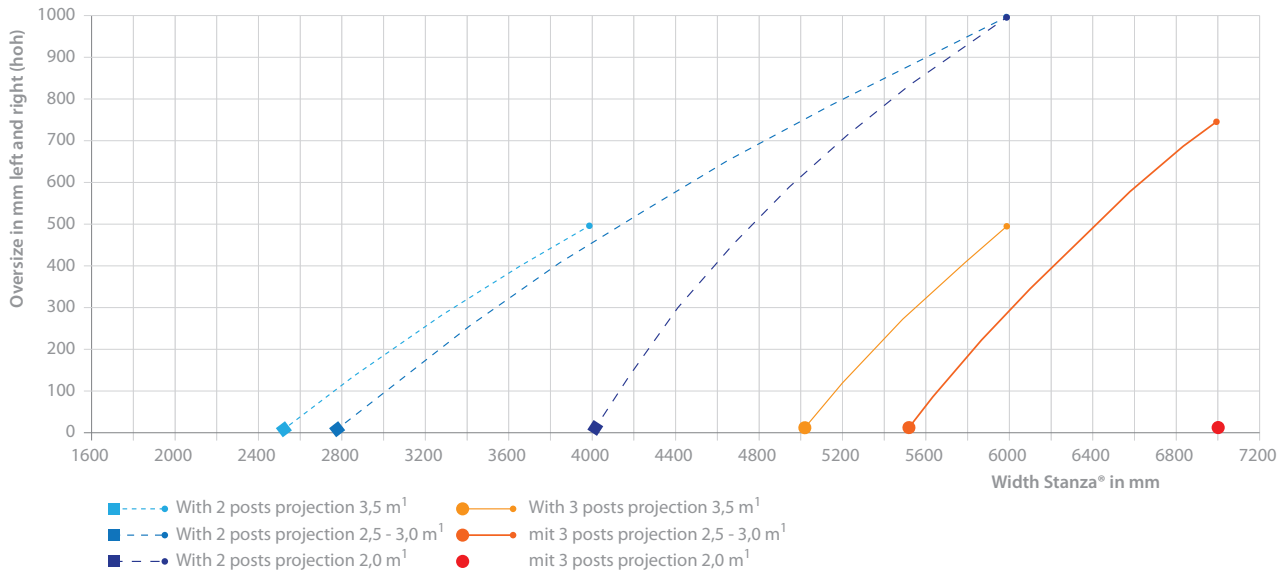
**** ATTENTION ****

Lakeland accepts no liability for any errors in this manual or for any damage or losses resulting from the use thereof.

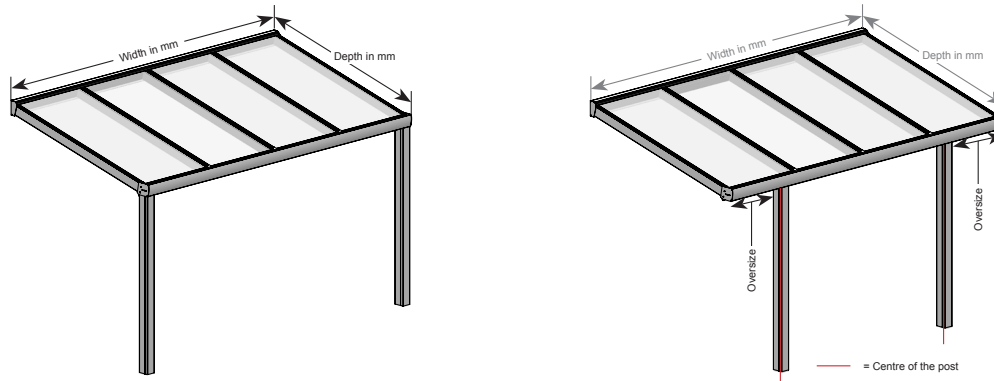
Stanza® Patio Roof

General information

Measurements	
Max. width	7000 mm
Max. width with 2 posts (with oversize)	6000 mm
Max. measurement outside the posts	1000 mm
Max. panel length	3500 mm
Min. roof angle	± 6°
Max. roof angle	± 15°
Max. distance between supports	1000 mm



The Stanza® meets the requirements according to NEN 6702:2007



Building permit

In some cases a building permit is required for the assembly of the patio roof. This depends on several factors like: the size of the roof, situation etc. (For more information about the requirement of a building permit you can contact the website of website local authorities. Take into account that the period needed for the appeal will be a minimum of 6 weeks in most cases).

Cutting polycarbonate roof panels

If you wish to adjust the measurement of the panels manually, be sure to use a fine saw. After cutting the panels must be blown clean and be retaped. For retaping you need the specified tape (art.nr.7701075) on the wall and the prescribed perforated tape (art.nr. 7701076) on the gutter.

Maintenance





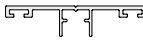
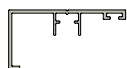
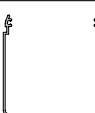





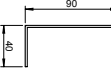

Rinse the loose dirt with a sufficient amount of water from the panels. Clean the panels with a mild soap solution (for instance dish washing detergent) and a soft cloth or sponge. Do not use a hard brush, sharp objects, isopropanol or solvents on the panels. Never clean the panels in the sun or with high temperatures.

Stanza® Patio Roof

General information

Cut sizes

The cutting sizes for the profiles, roof panels and rubber strips are listed below. Next to this there is an excel file on www.avz.nl with which you can easily calculate the specific cutting dimensions.

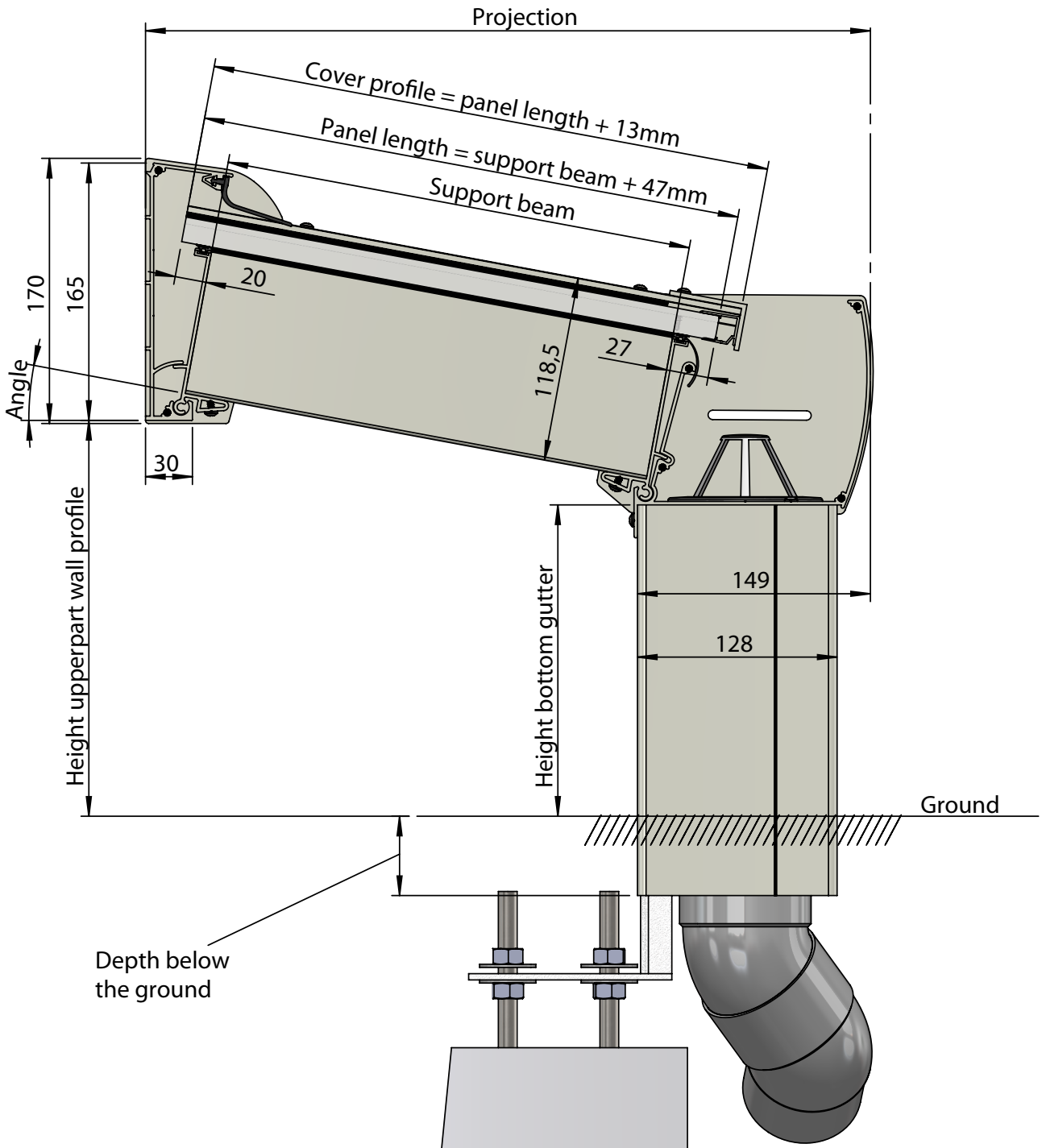
Art. nr.		Name	Formula
7501112		Patio roof gutter	Width – 6 mm
7501122		Wall profile	Width – 6 mm
7501162		Topple profile	Width – 6 mm
7501104		Support beam	Panel length – 47 mm
7501144		Cover profile panel	Panel length +13mm
7501204		Cover profile support beam	Panel length +13mm
7501174		Post	Height under gutter + depth below the ground
7501184		Cover profile post	Height under gutter + depth below the ground
7700100		Rubber for support beam, cover profile support beam, cover profile panel - and topple profile wall	$((\text{number of support beams} \times 4) - 4) * \text{length cover profile panel} + 1 \times \text{width} - 12 \text{ mm}$
7700102		Sealing rubber	Width – 6 mm
7500292		Rim profile 16 mm	Width polycarbonate panel
7700080		Rubber for topple profile gutter	Width – 6 mm
7700910		Mounting plate Trafo	Width panel – 35 mm
7705510 7705554 7705559 7705564		Polycarbonate panel	$(\text{Width} - 41 \text{ mm} - (\text{number of support beams} * 20)) / \text{number of panels}$

Stanza® Patio Roof

General information

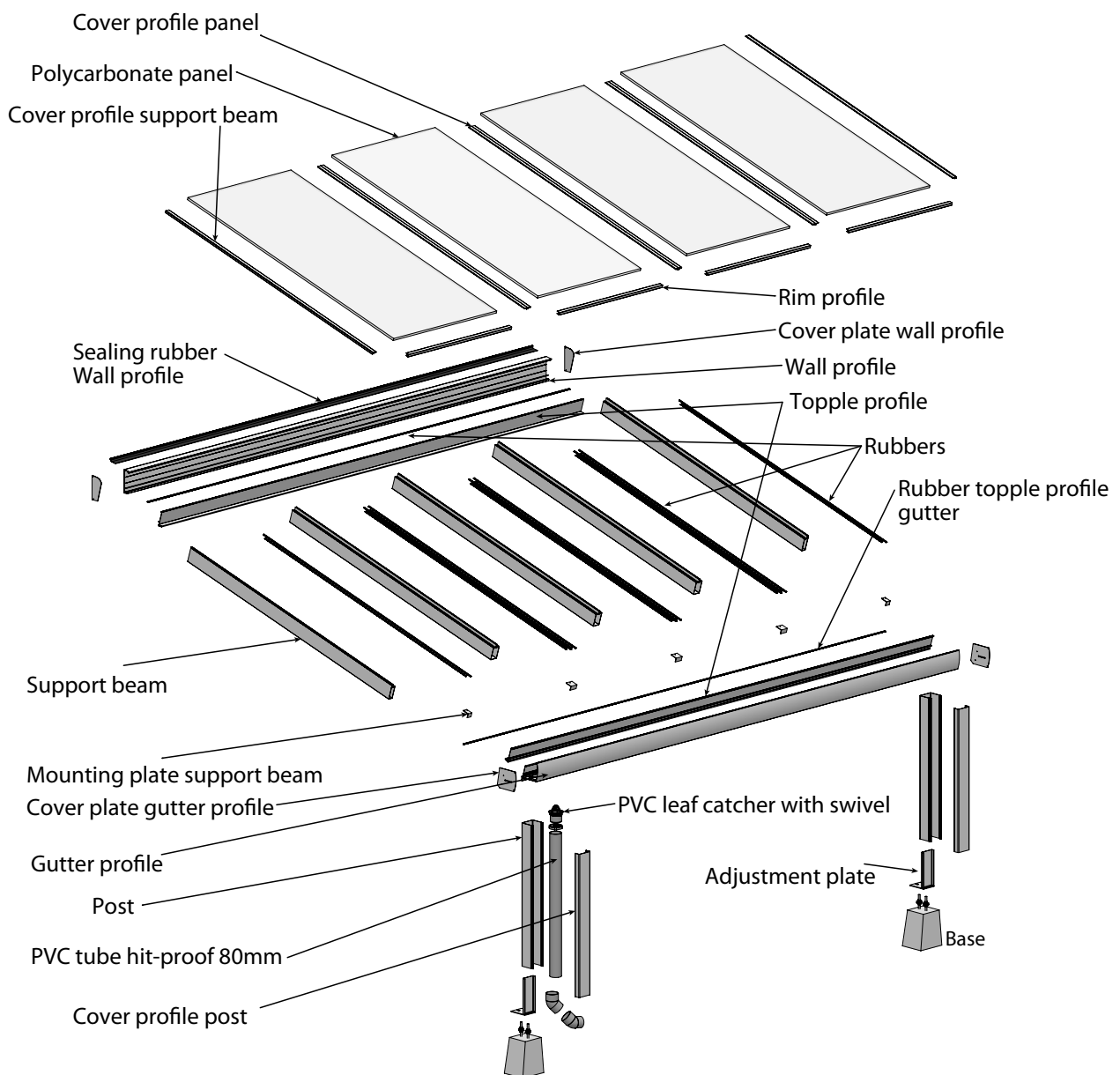
Overview drawings

In the drawing below you can see where the measurements originate.



Stanza® Patio Roof General information

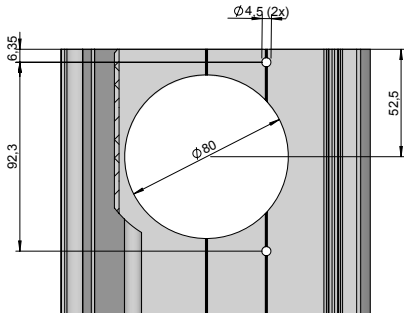
Exploded-view



Stanza® Patio Roof

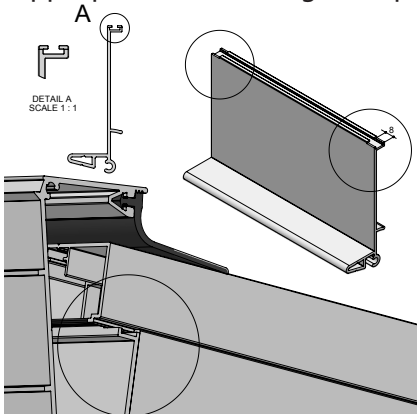
Assembly instruction

1. Shorten the lengths to the measurements given in the Excel calculation.
2. Drill holes with $\varnothing 4.5$ mm in the gutter for the attachment of the supports (pic.1).
3. Also drill a hole with $\varnothing 80$ mm on the position of the support for the transit of the leaf catcher.

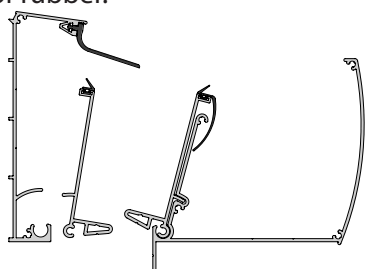


Picture 1, Drill the holepattern in the gutter

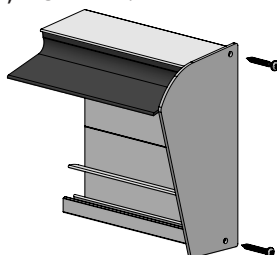
4. Polish on the outside of both topple profiles a little edge (see pic. 2).



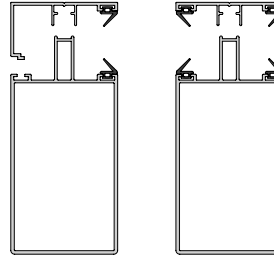
5. Hook the topple profile to the gutter profile.
 6. Push the sealing rubber in the wall profile.
 7. Push in both topple profiles the rubber.
- Attention:** on the gutter side the longest piece of rubber.



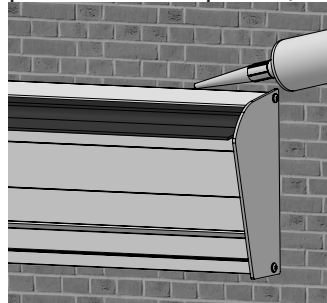
8. Fasten to both sides of the wall profile the cover panels with countersunk head tapping screw 4,2x32 mm.



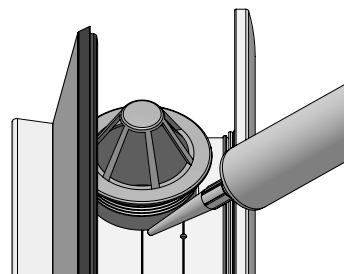
9. Push the sealing rubber into the support beams, roof panel finishing profile and side finishing profile.



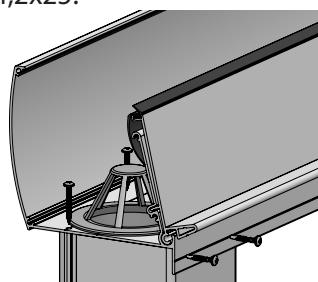
10. Provide enough fastening materials for your applied combination of wall- and patio roof (Ask your supplier of those materials for advice).
11. Define the position of the wall profile on the wall. Drill holes in the profile and the wall. Fasten the wall profile levelled to the wall.
12. Seal the seam inbetween the wall and the wall-profile on the top side (now you can still reach it)



13. Place the topple profile to the wall profile.
14. Apply a small sealant rim around the hole of $\varnothing 80$ mm in the gutter and insert the leaf catcher. Fasten the fitting on the down-side of the leafcatcher.

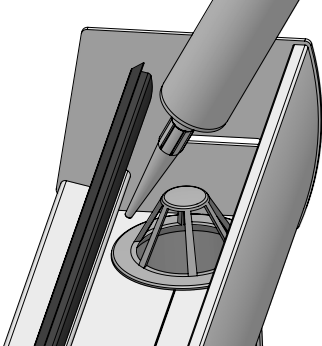


15. Fasten the gutter to the supports with the countersunk head tapping screws 4,2x32mm and on the back side with self-drilling cross screw 4,2x25.

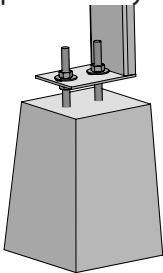


Stanza® Patio Roof Assembly instruction

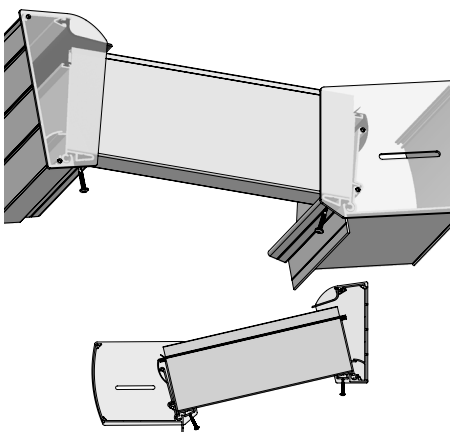
16. Fasten the cover panels to the gutter with countersunk head tapping screws 4,2x32 mm.
17. Seal the seam inbetween the cover panels and the gutter to make it water tight.



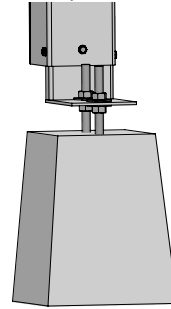
18. Determine the position of the base and dig wide holes. Make sure that you have a solid and stable foundation.
19. Place the bases in the holes and put them in the right position.
20. Fasten the steel adjusting plate on the stud bolts of the base and put them on approximately the right position.



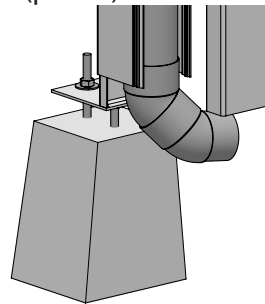
21. Put the post with the gutter in an upright position and slide them over the steel adjusting plate. Temporary adjust the passing height of the gutter. (when needed you can use a temporary post)
22. Now put the two outer support beams against the cover panels on the topple profile of the wall- and gutter profile and fasten these to the bottom side with countersunk head tapping screw 4,2x25 mm (pic 11).



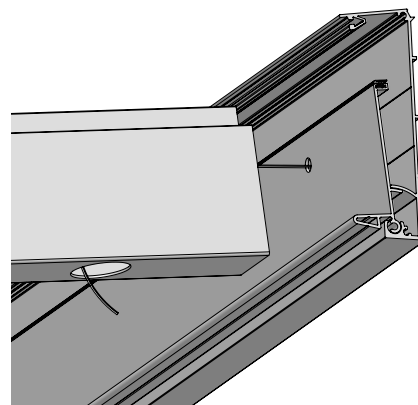
23. Place the roof rectangular by measuring cross ways and adjust to the exact passing height of the gutter.
24. Fasten the posts to the adjusting panels in their permanent position. Use 3 hexagonal self drilling screws 6,3x19 mm per post.



25. Fasten a PVC rain-water waste pipe to the down side of the leaf catcher and make sure that it will be longer than the post for a good further course (pic. 13).



26. Click the cover profile on the support beam and fasten this. In case lighting is prepared in the support beams you have to be aware of the following:
 - The power supply
 - The positioning of transformers that will be behind the click profiles. Drill for the wiring a hole in the topple profile on the wall side in the center of the support beam.



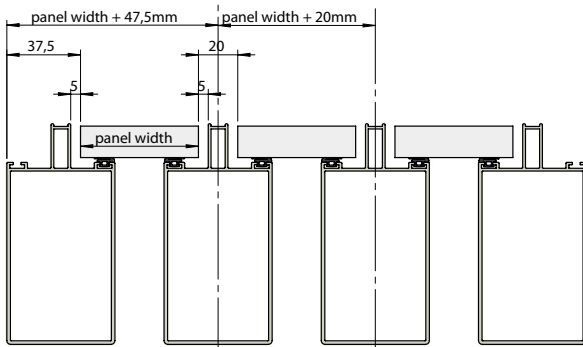
27. Position the first support beam at the right distance on the topple profiles and fasten these on the bottom side. **ATTENTION:** Always work from one side to place the support beams and

Stanza® Patio Roof

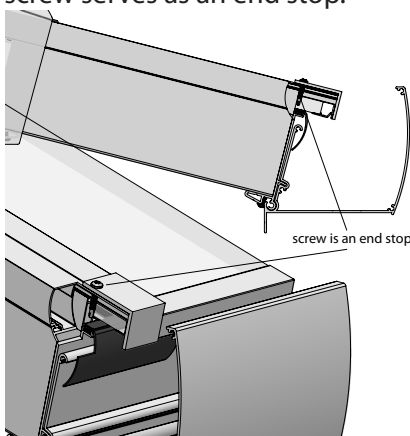
Assembly instruction

roof panels. (Distance outer cover profile support beam till center of first support beam: panel width + 47.5mm).

28. Place the second support beam at the right distance pertaining to the first support beam and fasten these to the bottom (center first support beam pertaining to the center of the second support beam: panel width + 20mm).



29. Use the center distance of the first and second support beam for the rest of the support beams and fasten these on the bottom.
30. If the end of the panel is shortened, this side needs to be taped. Use the solid tape at the wall side, and the perforated tape at the gutter side.
31. Slide the rim profiles on the front side of the panels (perforated tape).
32. Place the first panel on the support beam, slide these under the sealing rubber and let the panels incl. end profile 40 mm pass at the front side of the support beam. The space at both sides of the panel is +/- 5 mm pertaining the support beams.
33. Take the cover profile support beam and fasten the mounting plate support beam with a self-drilling cross screw 4,2x25. Place the cover profile support beam on the support beam and slide the cover profile support beam upwards till the self-drilling cross screw touches the front-side of the support beam. The self-drilling cross screw serves as an end stop.



34. Then fasten the whole cover profile panel with self-drilling cross screws 4,2 x 25 at a center distance of +/- 500 mm. Begin to screw +/- 10 mm from the mounting plate. Remove on both sides of the panel the protection foil.
35. Place the next panel beside the first one and slide this panel under the sealing rubber. Take the cover profile panel and screw it onto the mounting plate. Place cover profile panel on the support beam, slide it upwards till the cross screw touches the frontside of the support beam. Fasten the whole cover profile panel with cross screws 4,2 x 25 at a center distance of +/- 500 mm. Begin to screw +/- 25 mm from the mounting plate.
36. Remove on both sides of the panel the protection foil. Finish the whole roof, work from one side to the end.
37. The space where the transformer is placed in between the support beams, can be covered with a mounting plate.

