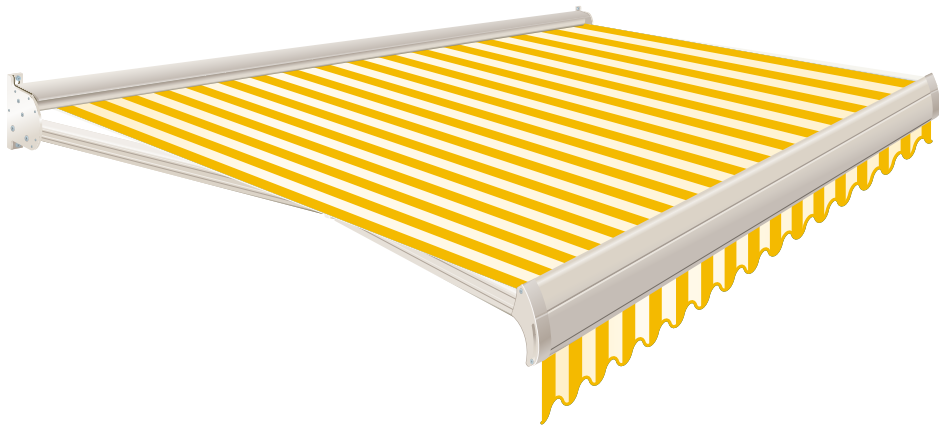


## Installation manual

Sun awning V225 Porto  
semi-cassette



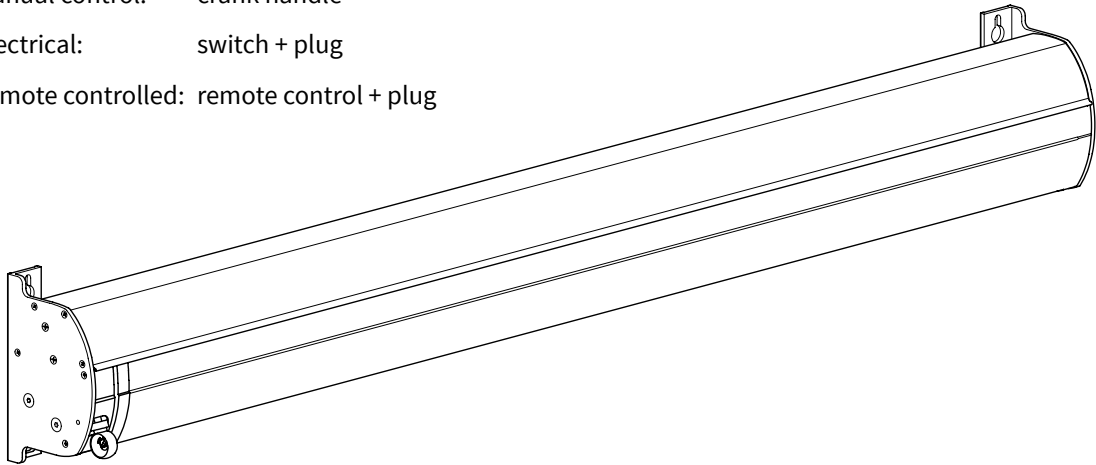
**Verano**<sup>®</sup>

# Installation manual Sun awning V225 - Porto semi-cassette



## Content package

1. Sun awning \*
2. Control
  - a. Manual control: crank handle
  - b. Electrical: switch + plug
  - c. Remote controlled: remote control + plug



\* The displayed awning is a manual control version.

## Necessary tools

- Drilling machine
  - Support drill 10/14 mm
  - Crosshead screwdriver
  - Socket wrench 10/13/17
  - Keyset
  - Clack with lengthening piece, husk 10/17 mm
  - Tاپeline
  - Plumb rule
  - Pencil
- In case of electrical control:
- Nippers
  - Flathead screwdriver

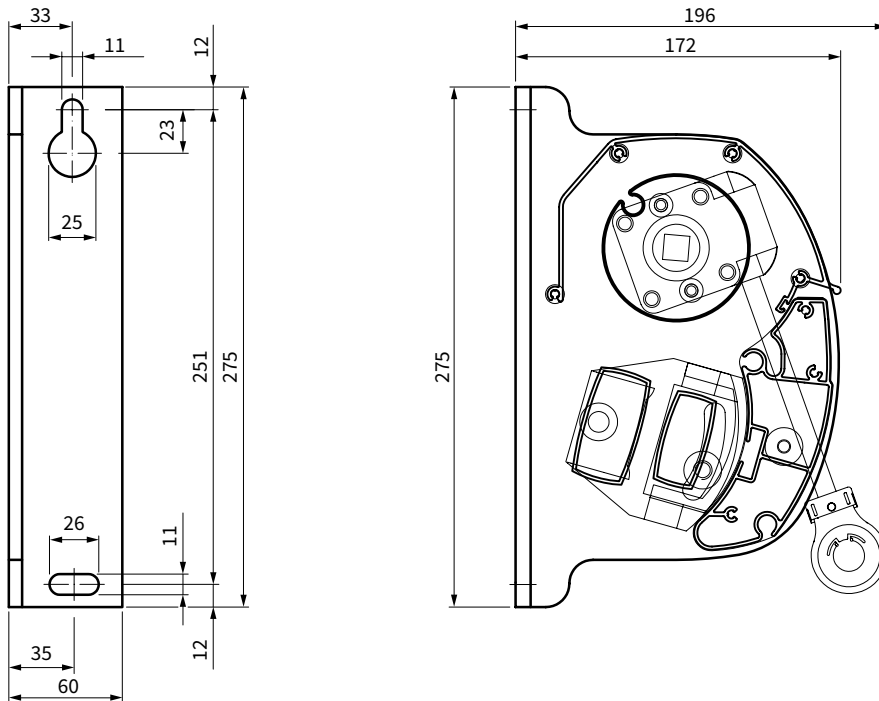
# Installation manual Sun awning V225 - Porto semi-cassette



## Specifications

### Wall installation

Sizes in mm



Front view wall support, left

Awning section

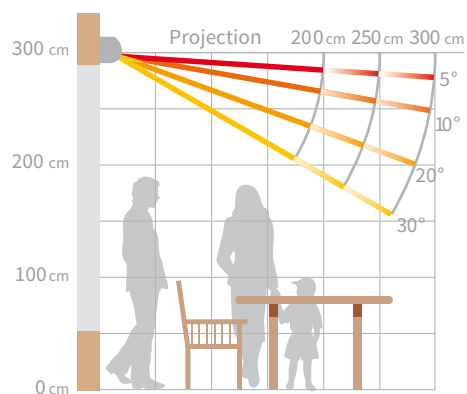
### Minimal width per fabric projection

Projection [mm]	Minimal awning width [mm]
1500	1830
2000	2400
2500	2960
2500 gelijkzijdig	2790
3000	3620
3000 gelijkzijdig	3240

### Width

minimaal 2500 mm

maximaal 6000 mm



# Installation manual Sun awning V225 - Porto semi-cassette



## Important before mounting

### General warning

Mounting the Verano® product yourself is at your own risk. Only use this instruction as a tool and for the mounting of this specific Verano® product. If you cannot mount the product yourself, you can always opt for professional mounting. The mounting team of Verano® is pleased to help you.

### Be careful for damages

Don't use a knife or any other sharp object when opening the packing. This may cause damage to the content of the package. Put the content of the package on a soft surface. Be careful when drilling, falling drill cuttings can cause damages.

Check if the window frame or façade is flat and smooth.

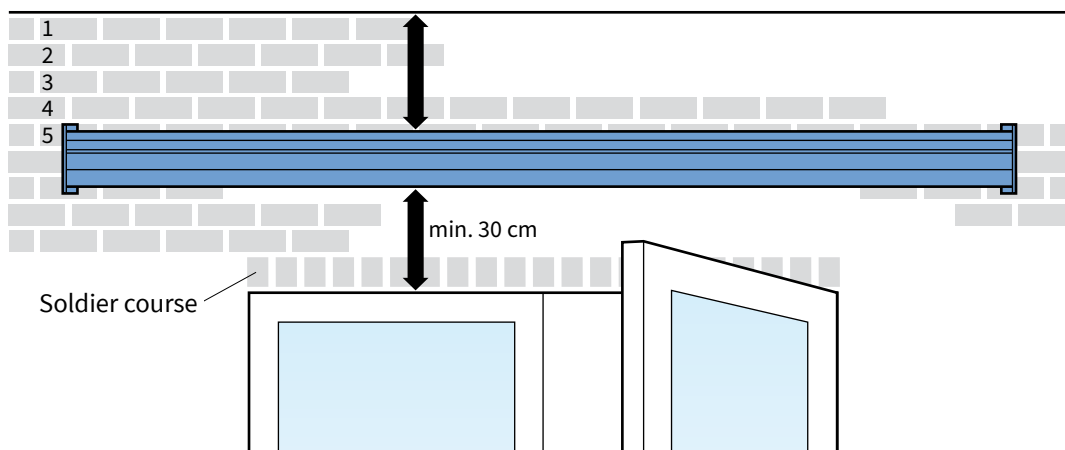
### Check the mounting height

Make sure that you have enough mounting height on your façade to place the awning. Above the wall support (mounting support) have to be 5 rows of stones to prevent too much pressure on the façade. This is not often the case with a house-extension. It is recommended to drill the mounting hole in the fifth stone (minimum) measured from the top.

### Wall strips

When there are fewer than five rows of stones above the wall support, wall strips have to be used. These strips divide the forces over a bigger wall surface when the walls are too weak. See page 5 for extensive instructions.

**Attention!** Make sure there is no mounting point in the soldier course. These are often half stones.



### Patio door

When the awning is fully open, it hangs down under the angle. Therefore we advise to keep at least 30 centimeters between the window frame and the awning in a situation with patio doors to the outside. When possible, it is advisable to hang the awning higher than 30 centimeters above the window frame.

# Installation manual Sun awning V225 - Porto semi-cassette



## 1. Installation on the wall

### 1.1 Marking the holes

For the installation of the awning, the two wall supports (A) need to be level horizontal and vertical. See figure 1.1 and 1.2. The wall supports need to be installation in the same line on the wall. If the wall supports are not in the same line (with an uneven position of the arms as a result) the awning will not function correctly.

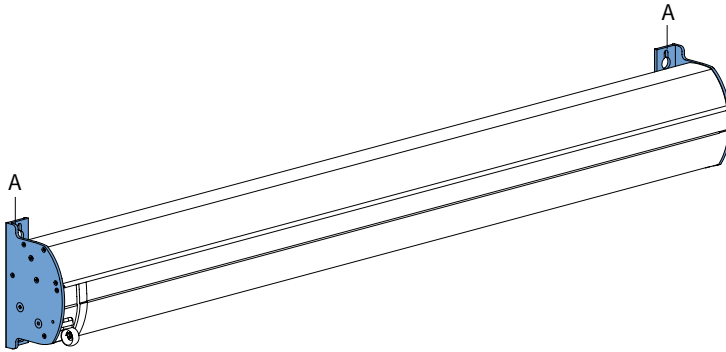


fig. 1.1 Wall support sun awning

Mark the drill holes of the wall supports (A) carefully on the wall according to size X and size Y in figure 1.2. Make sure that the upper installation holes are in the middle of the stone. If necessary, use an alignment string.

X = Width of the awning

Y = Window frame height plus minimal 30 cm

A = Wall supports

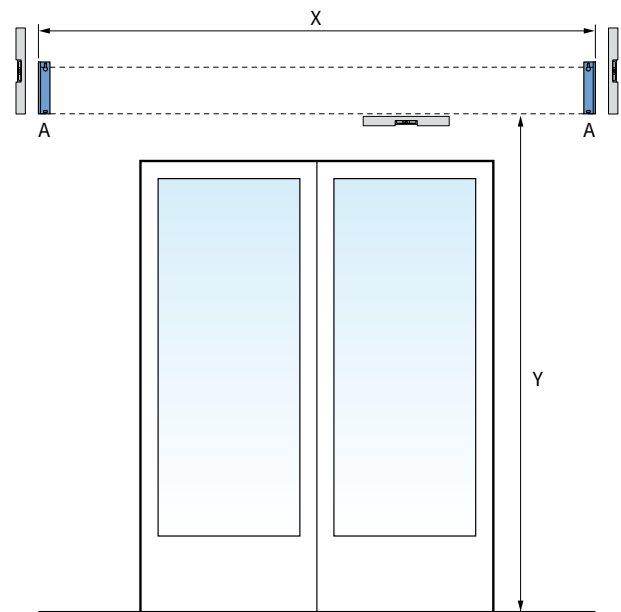


fig. 1.2 Placing the wall supports

### 1.2 Drilling the holes

Drill the installation holes. We advise to use a 14 mm stone drill if you need to drill in a cement or stone wall. Use matching plugs and nuts of high quality. Install the awning on the wall and fasten the nuts in the wall supports (A) tightly. Use a clack with lengthening piece.

### 1.3 Drilling the control hole

Do you have wall control and do you want to connect it on the inside? Measure the location of the control hole carefully. The location depends on your personal preference and situation. Drill with a 10 mm drill to the inside. Hold a shelf on the inside of the wall to prevent damages to the wall when drilling through.

# Installation manual Sun awning V225 - Porto semi-cassette



## 1.4 Installation using wall strips

If there are less than five rows of stones above the installation location, wall strips need to be used. The strips divide the power over a larger wall surface so that the wall can carry more weight. figure 1.3.

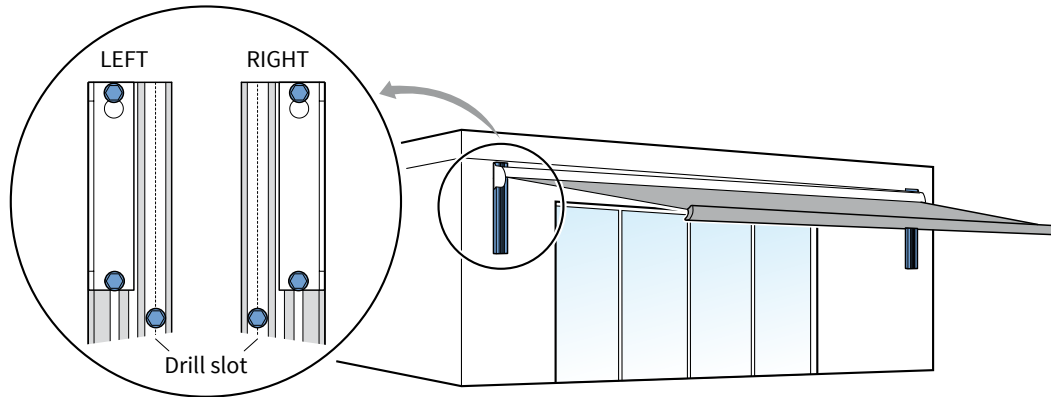


fig. 1.3 Using wall strips

Follow the steps below to install the wall strips (see figure 1.3 and 1.4):

1. Mark the position of the wall strips on the wall according to size X and Y in figure 1.2. The wall strips need to be, both horizontal and vertical, levelled. Make sure that the installation holes are in the middle of the stone. If necessary, use an alignment string.

**Attention!** The left wall strip is turned 180 degrees relative to the right wall strip.

Fasten the wall strips tight to the wall.

2. Install the awning as high as possible on the wall strips with two nuts per wall support.
3. Install the fastening block at the bottom of the wall strip. The block is needed to fasten the cover plate.
4. Place the closure cap over the bottom part of the wall strip. You need to customize it first.
5. Install the cover plate to the fastening block in the bottom part of the wall strip.
6. The installation of the awning on the wall strips is now finished.

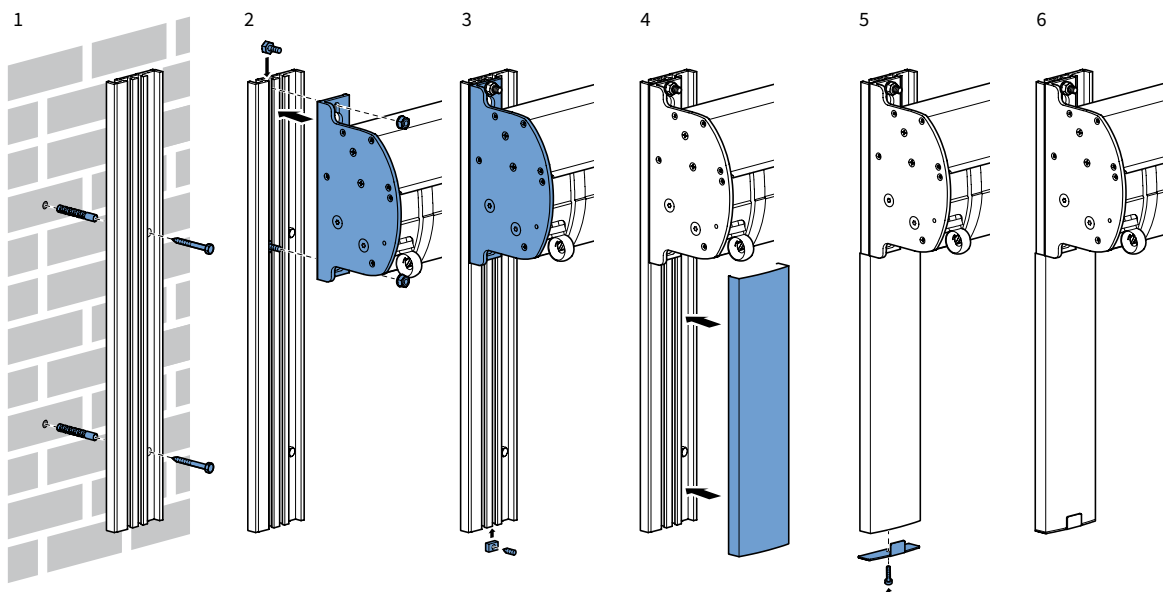


fig. 1.4 Installation of the wall strip (left)

# Installation manual Sun awning V225 - Porto semi-cassette



## 2. Electrical wall control

### 2.1 Connecting the wall control

1. Check the position of the motor (left or right), seen from the outside!
2. If you have inside control, first guide the cable through the hole in the wall you drilled before.
3. Connect the four-wired cord of the motor and the three-wired cord with plug following the scheme below.
4. Put the plug in the power point.
5. The awning is now connected. Before you continue the installation, check if the awning rolls out correctly.

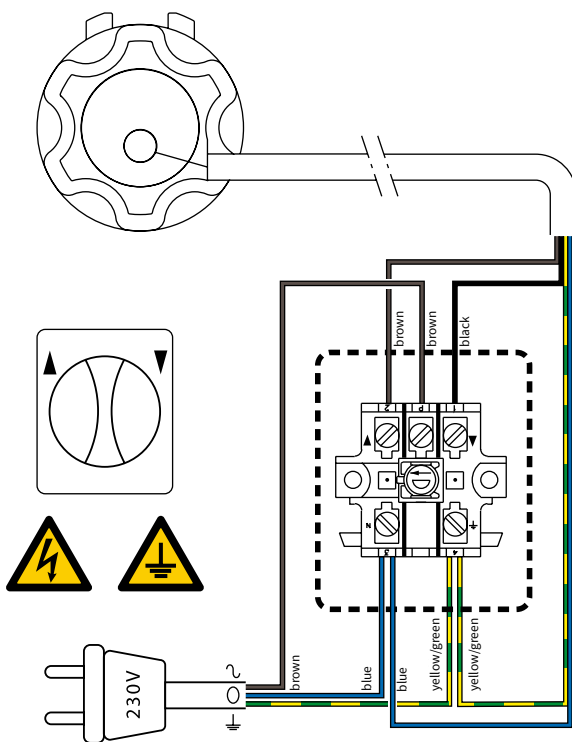


fig. 2.1 Motor left (seen from the outside)

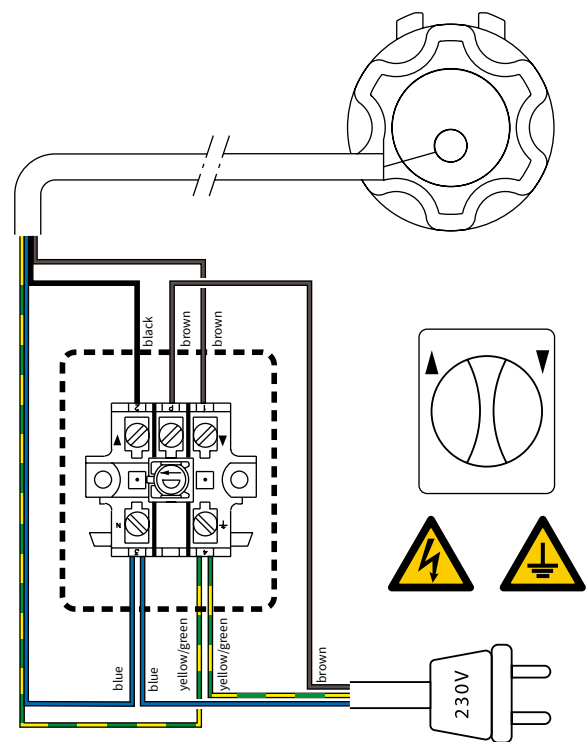


fig. 2.2 Motor right (seen from the outside)

### TIP! Sealing the hole

In case of an electrical wire to the inside, we advise to seal the hole where the wire comes in. This to prevent moisture from running inwards. Attention! Do this both on the in- and outside.

### 2.2 Standard factory setting

The motor control is set standardly.

See the included [manual of the motor](#) and the possible [remote control](#).

### 3. Remote control

#### 3.1 Connecting the remote control

1. If the power point is located on the inside, first guide the wire through the hole in the wall you drilled before.
2. Install the plug according to the color scheme below:
  - Brown 220V power supply
  - Blue 220V power supply
  - Yellow/green grounding
  - Black (do not connect)
  - White (do not connect)
  - Orange (do not connect)
3. Put the plug in the power point.
4. The awning is now connected. Before you continue the installation, check if the awning rolls out correctly by using the remote control.

#### **TIP! Sealing the hole**

In case of an electrical wire to the inside, we advise to seal the hole where the wire comes in. This to prevent moisture from running inwards. Attention! Do this both on the in- and outside.



# Installation manual Sun awning V225 - Porto semi-cassette



## 4. Inclination

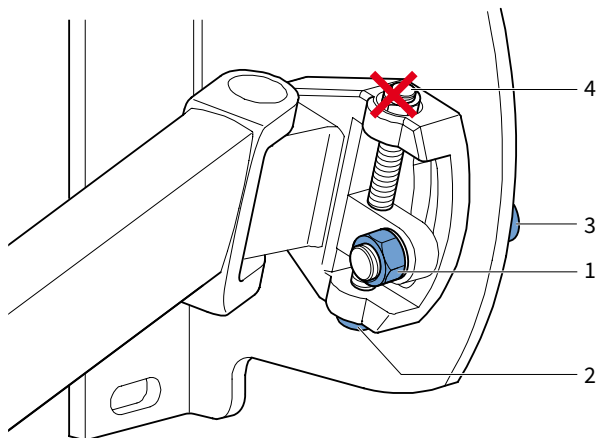
### 4.1 Standard factory setting

The walk-through height of the front bar is standardly set between 1,80 and 1,90 meter at an installation height of 2,70 meter.

### 4.2 Setting the inclination

If you want to set the awning different from the standard factory setting, follow the steps below:

1. Roll the awning out. The arm connections are located left and right on the awning.
2. Twist nut #1 in one turn (wrench 17). Lift the front bar during the twist so that the adjusting bolt (or allen) moves easily. See figure 4.1.
3. Twist hexagon nut #2 (wrench 13) or allen #2 for an up and down movement. Left = down, right = up. Lift the front bar during the twist.
4. If the front bar is on the right height on one side, than:  
Fasten nut #1. Lift the front bar during the twist so that the allen nut #3 (allen #6) is fastened rectilinear.  
The allen nut #3 can be skew is nut #1 is loosened to much.
5. Repeat the steps above on the other side until the front bar is in the same line with the top cap.



**Attention!** Never touch nut #4.

fig. 4.1 Detail arm connection right

# Installation manual Sun awning V225 - Porto semi-cassette



## 5. Front bar

### 5.1 Setting the front bar

The right position can be achieved if the front bar connects perfectly to the top- and bottom cap if the awning is closed. See figure 5.1.

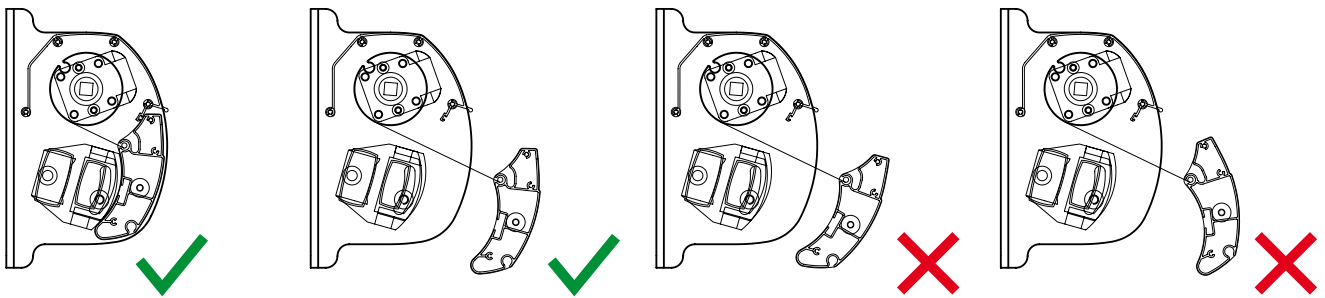


fig. 5.1 Position front bar

Follow the steps below if the opening between the cap and the front bar is to large:

1. Unroll the awning until the arms and the fabric are completely tension free.
2. At the end of the folding arms (on the side of the front bar), arm connections are located. See figure 5.1.
3. Twist the bolts #1 (allen 10) loose on both sides.
4. Put the front bar in the desired position.
5. Fasten the bolts #1.
6. Roll in the awning.

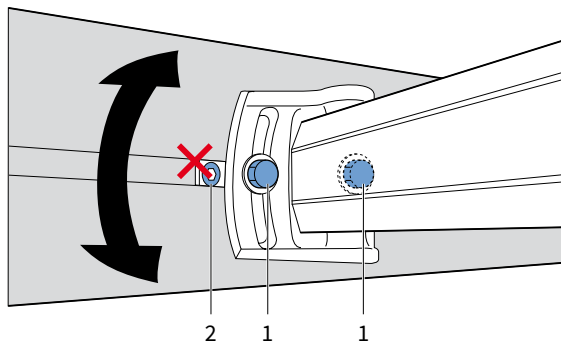


fig. 5.2 Detail arm connection on front bar

**Attention!** Never touch allen #2.

**Attention!** The fabric should always be on the underside.

# Installation manual Sun awning V225 - Porto semi-cassette



## 6. Valance

### 6.1 Installation of the valance

Follow the steps below for the installation of the valance. See figure 6.1.

1. Take the cover of the front bar on one side. The fabric tendon is locked in the front bar.
2. Slide the fabric tendon in the valance at the side where the fabric is open.
3. Slide the valance carefully in the intended recess. Make sure that you guide the valance well to prevent ripping of the fabric.
4. Place the cover on the front bar.

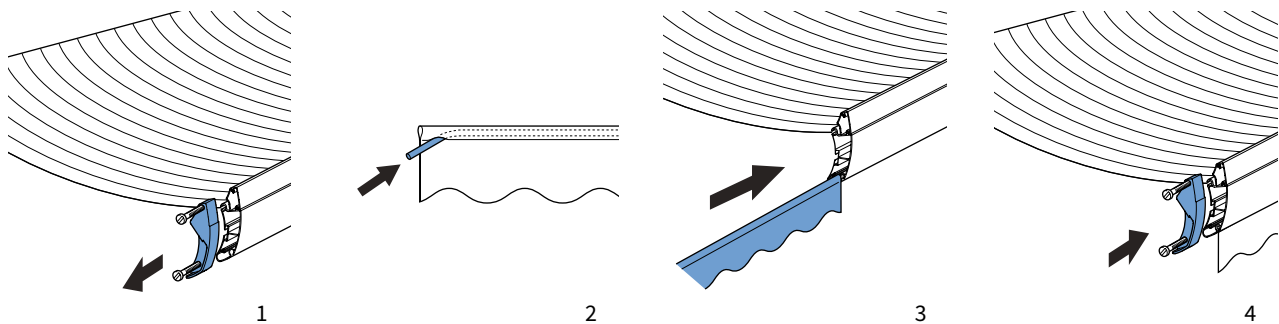


fig. 6.1 The installation of the valance

## User information

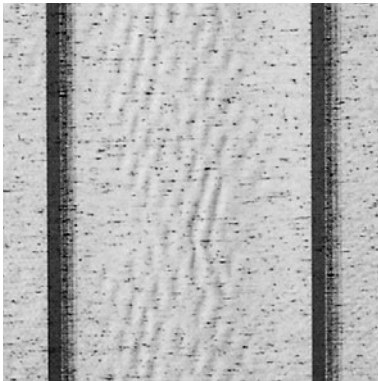
A high quality cloth is integrated into your chosen screen. In view of optimal quality we have chosen a high technology production process in which every step of the production is strictly selected. By way of automation, permanent checks, laboratory tests and finely detailed after-care, nothing is left to chance. This allows us to guarantee the resistance as well as the strength and durability of the colours of your screen for many years to come.

Starting with a completely pigmented poly-acryl material, which gives it its exceptional quality, our screens have the advantage of total monitoring during the production process. In spite of all this there may be small irregularities

in your screen that are difficult to detect and impossible to avoid. They are inherent in all technical materials but do not reduce the technical presentation and durability of your screen.

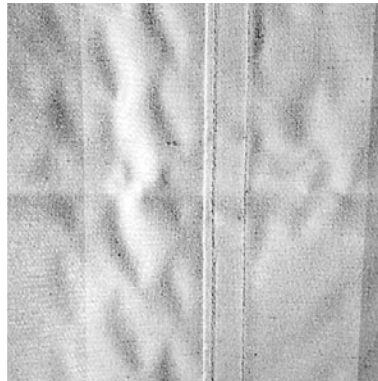
Waffling, chalk stripes, small pleats next to the seam or in the middle of the screen or nap can appear. The retailer cannot be held responsible for these irregularities.

Cable motor: if broken off, cannot be guaranteed.



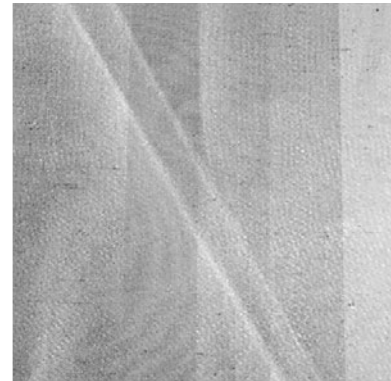
### Wave forming or wrinkle forming

All technical materials can display these symptoms in the middle of a canvas. They are especially noticeable with backlight through the difference in light reflection.



### Wave forming

Next to the seams, caused by the unavoidable tension difference in rolling up.



### Fold stripes/ chalk stripes

A fold caused during the manufacture, can show a darker stripe by light reflection. This is mostly noticeable in lighter coloured blinds.

These small irregularities have no effect whatsoever on the quality of the screen and do not constitute the screen being replaced. However do inform us if you notice any irregularities in colour fastness, decay or resistance, in fact in any of the basic characteristics of our 2-year guarantee.