

## ENGLISH

### Function

Combined with a garage door operator, the latching set allows the latches of an up-and-over door to engage or disengage before the garage door operator causes the door to open.

To ensure optimum operation and functioning of the latching set, observe the following instructions in full!

### N 80 Up-and-Over Doors

#### Figure 1.1

Fit the door link centrally on the top part of the door.

#### Figure 1.2

If the latches on the door are fixed, these should now be released.

Fit the latching set as shown in the figures.

### Figure 1.7-1.8

Fasten the cable via the cable eyelet onto the toothed wheel and clamp onto the cable clamp of the door link; afterwards also adjust the length of the cable here.

### DF 98 Up-and-Over Doors

#### Figure 2.1

Fit the door link centrally on the top part of the door.

#### Figure 2.2

If the latches on the door are fixed, these should now be released.

Fit the latching set as shown in the following figures.

#### Figure 2.5-2.6

Clamp one end of the cable onto the lock clamp and the other onto the door link clamp; afterwards also adjust the length of the cable here.

### Note:

Adjust the length of the cable with minimum tautness. Due to the various door types, the latching set is individually set for each door!



### Attention!

**In order to ensure that the latching set is functioning correctly, it is advisable to test it several times once it has been fitted. It might be necessary to re-adjust the garage door operator.**



### Tip

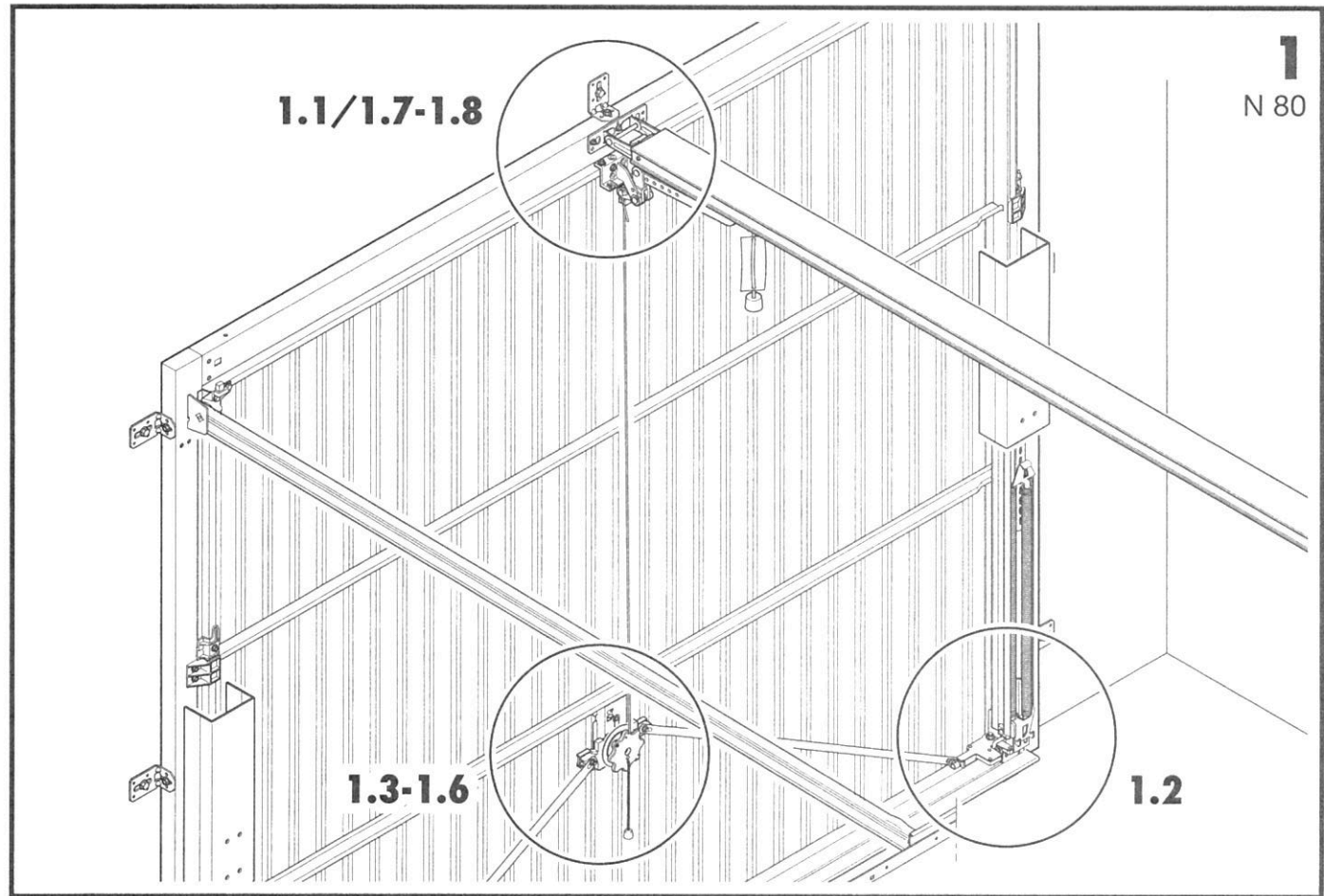
On shortening the wire cable, it is advisable to wrap strong adhesive tape around the point at which the cable is to be cut to prevent it from splicing.

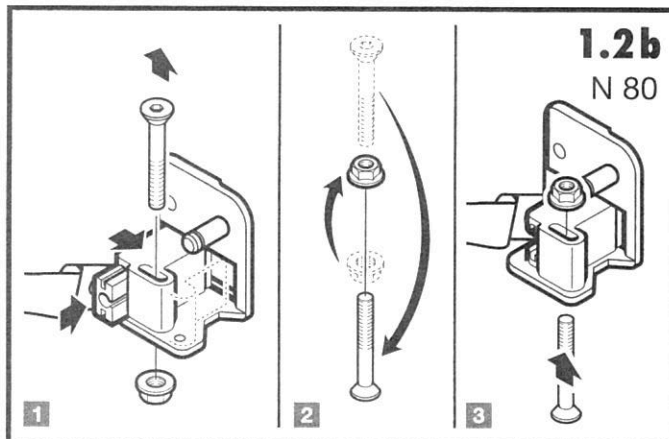
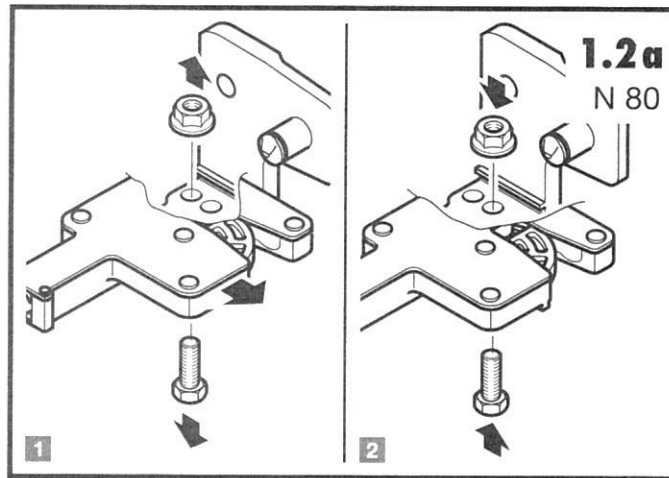
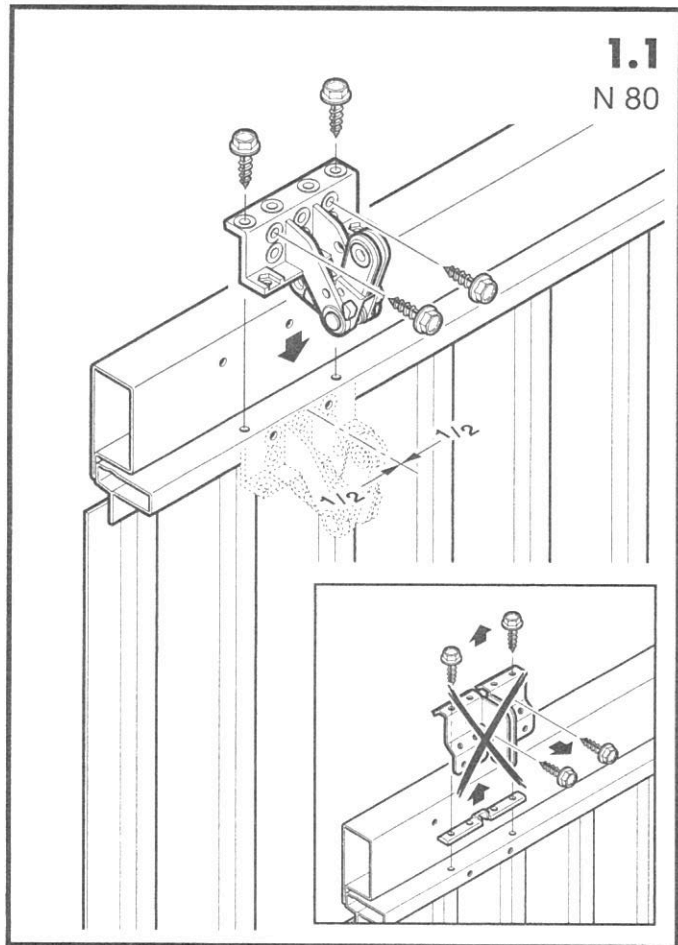
#### **N 80 up-and-over doors**

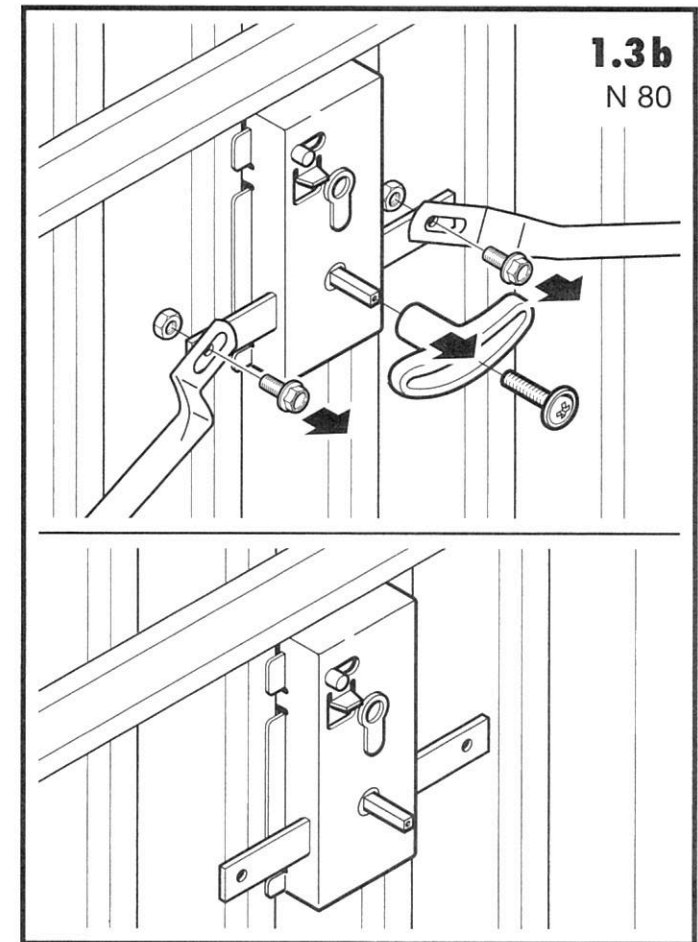
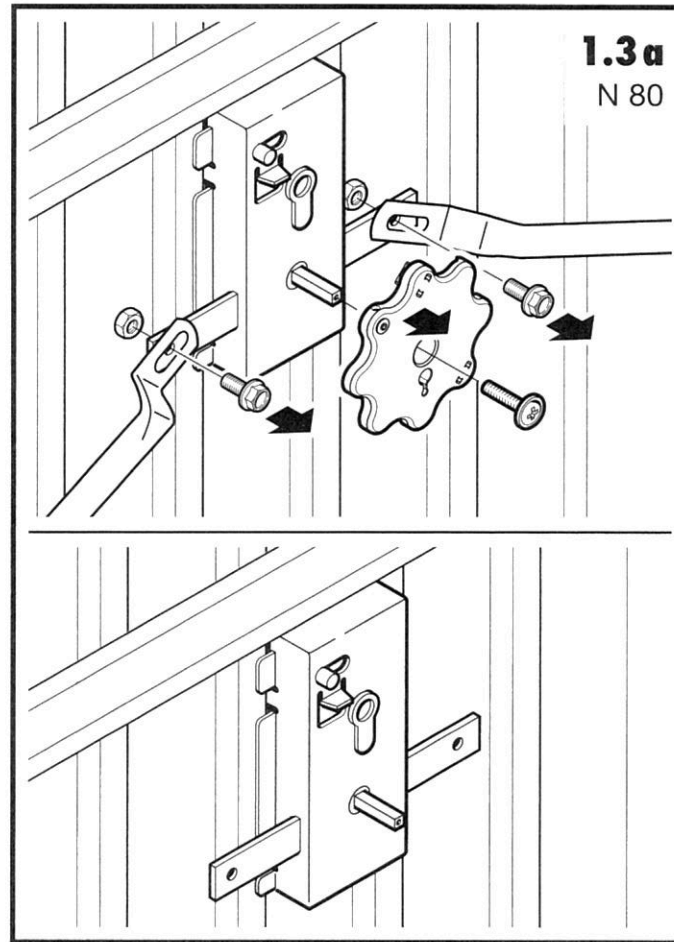
see figure 1.8

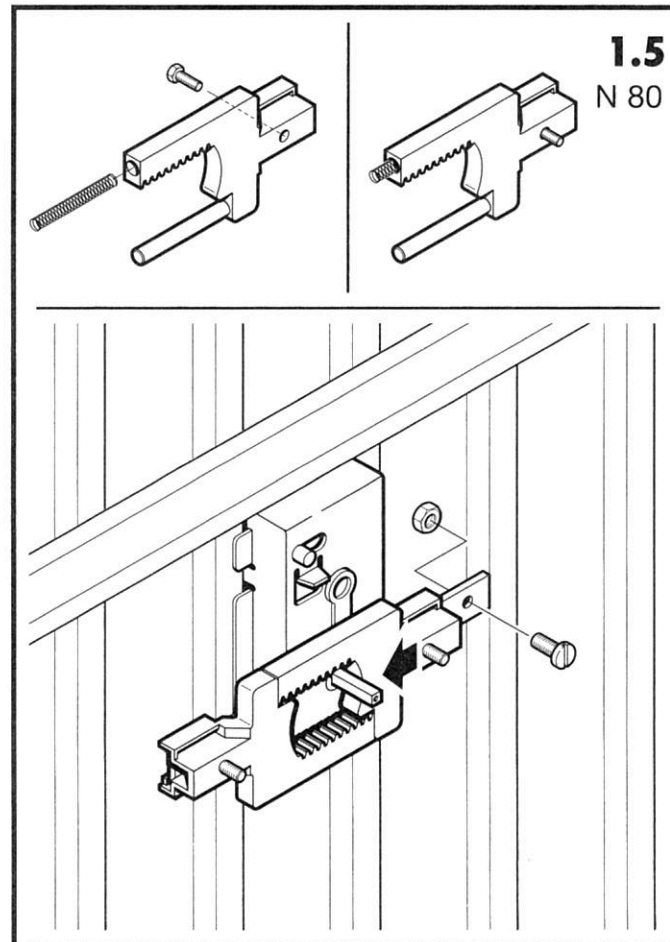
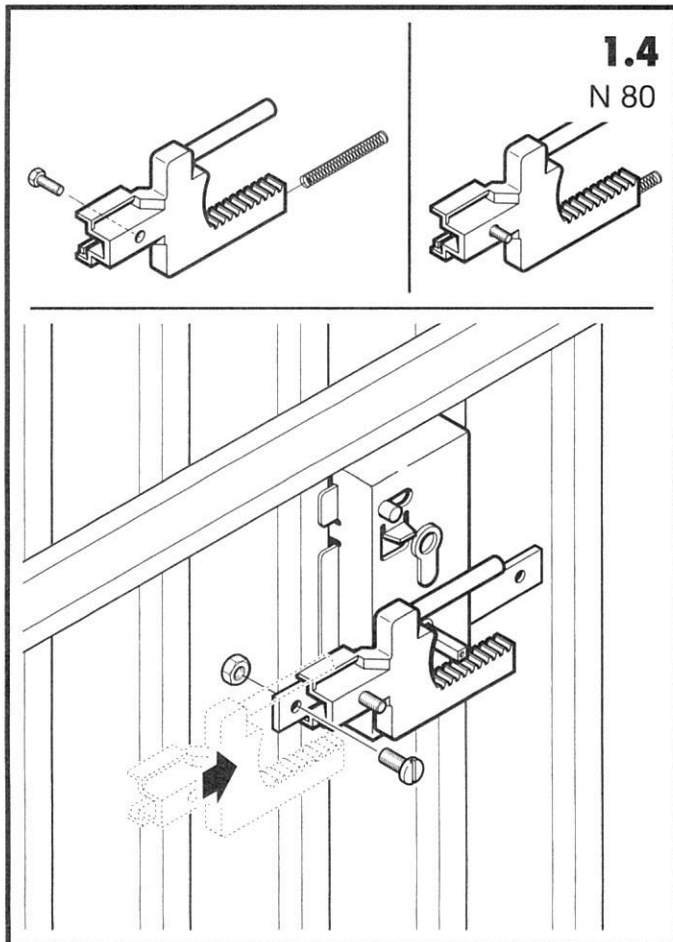
#### **DF 98 up-and-over doors**

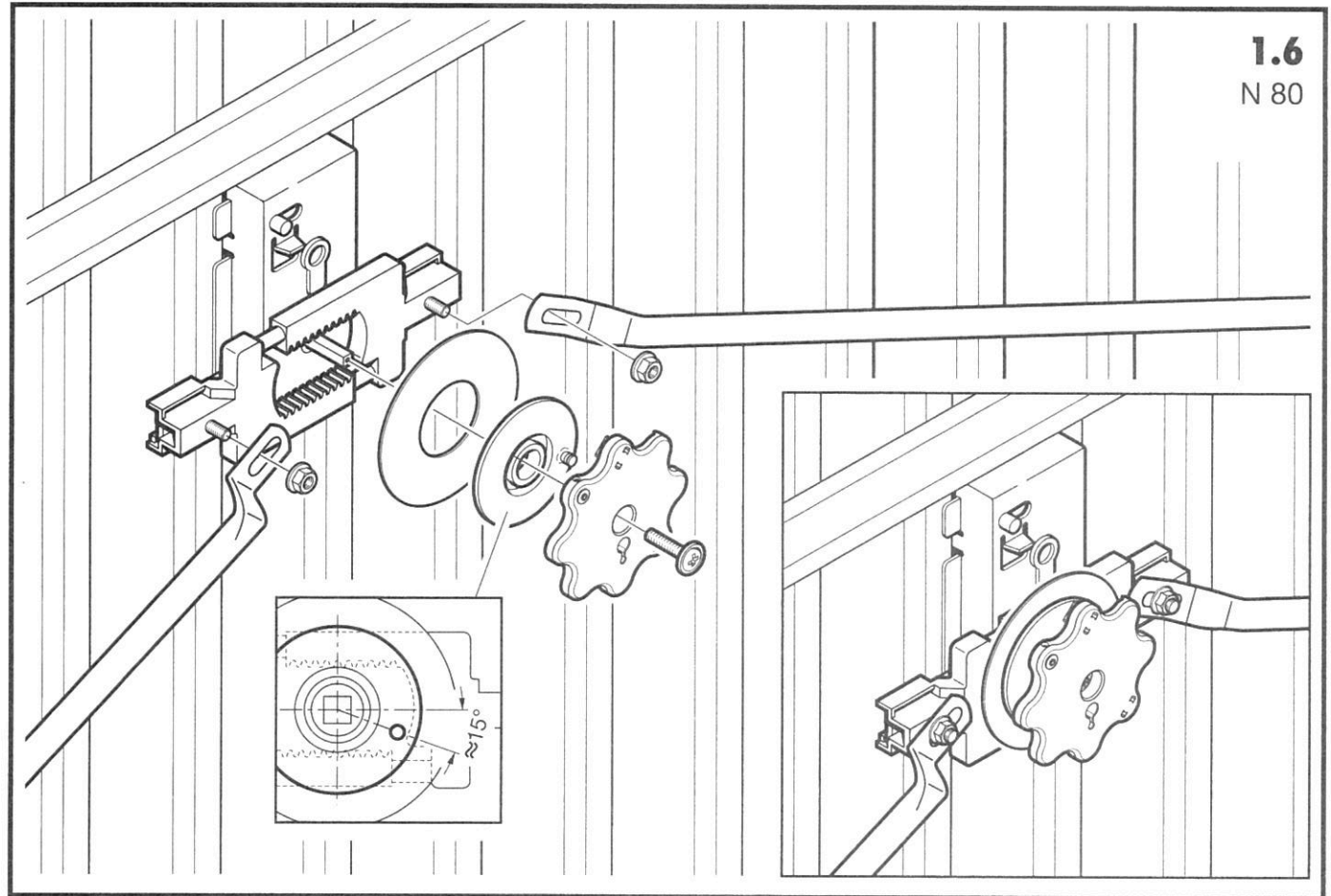
see figure 2.6





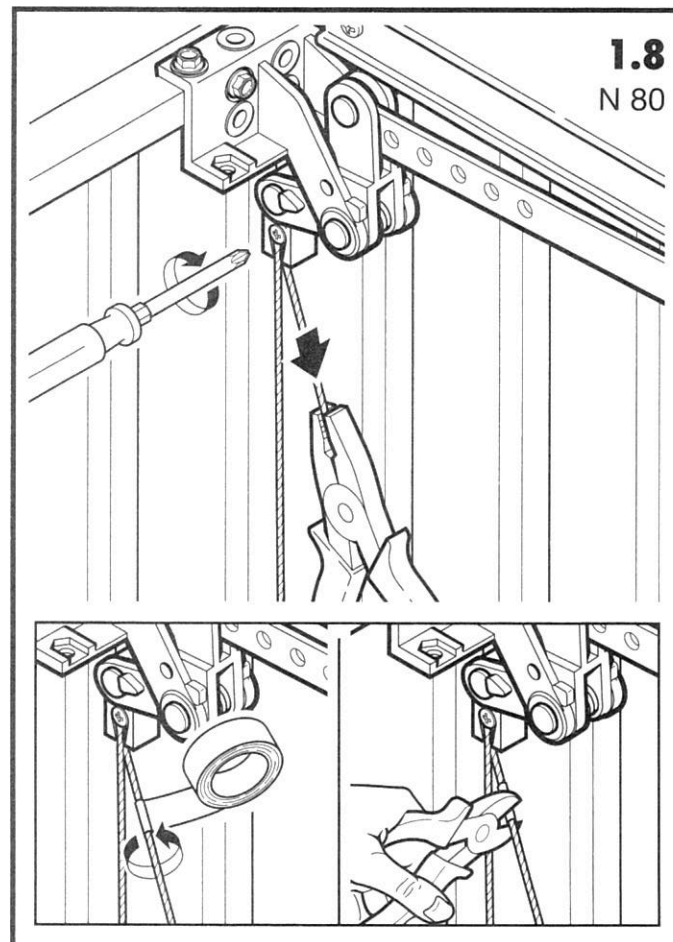
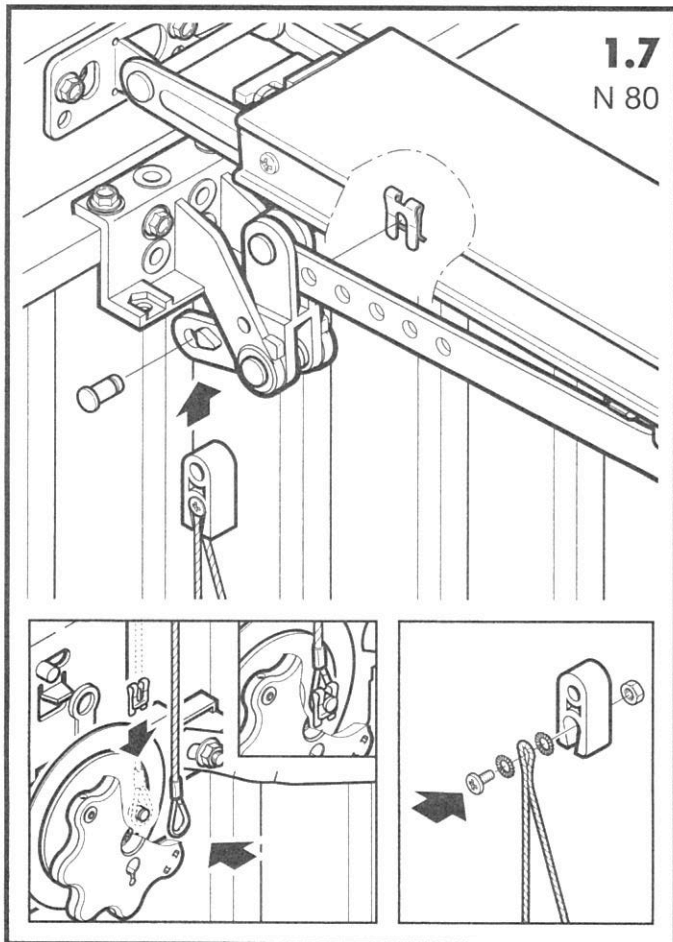


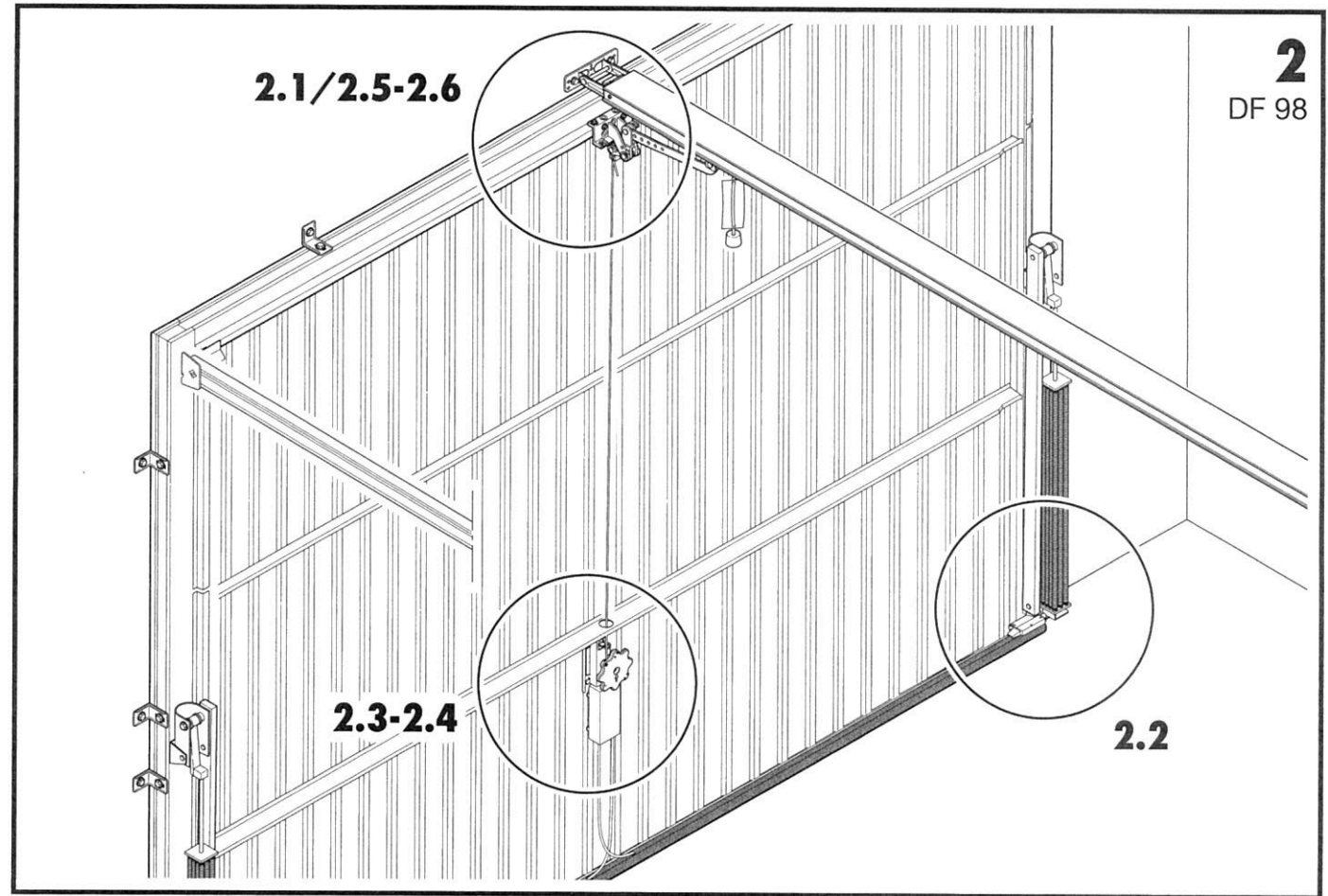




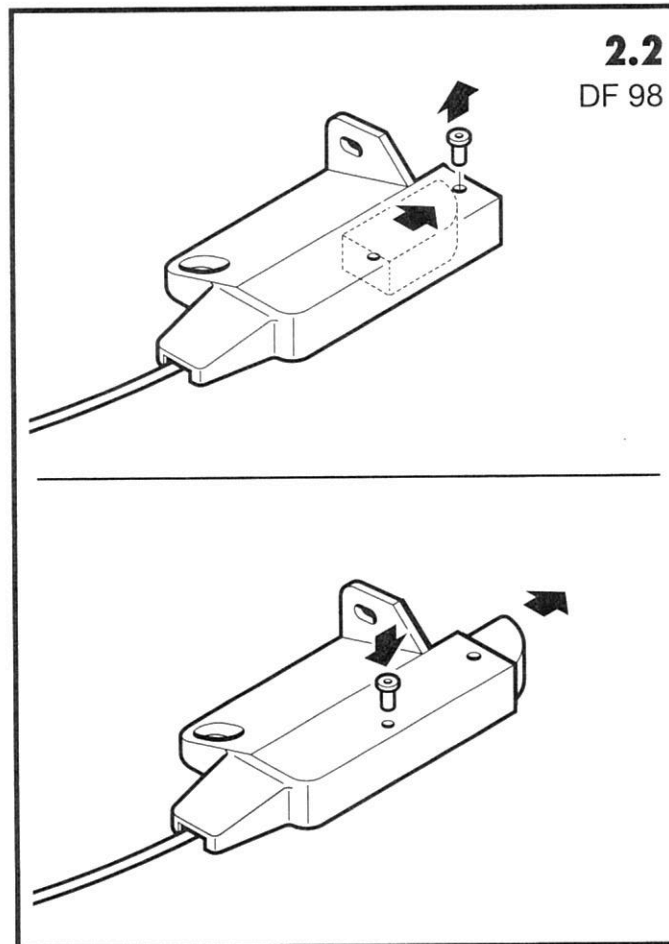
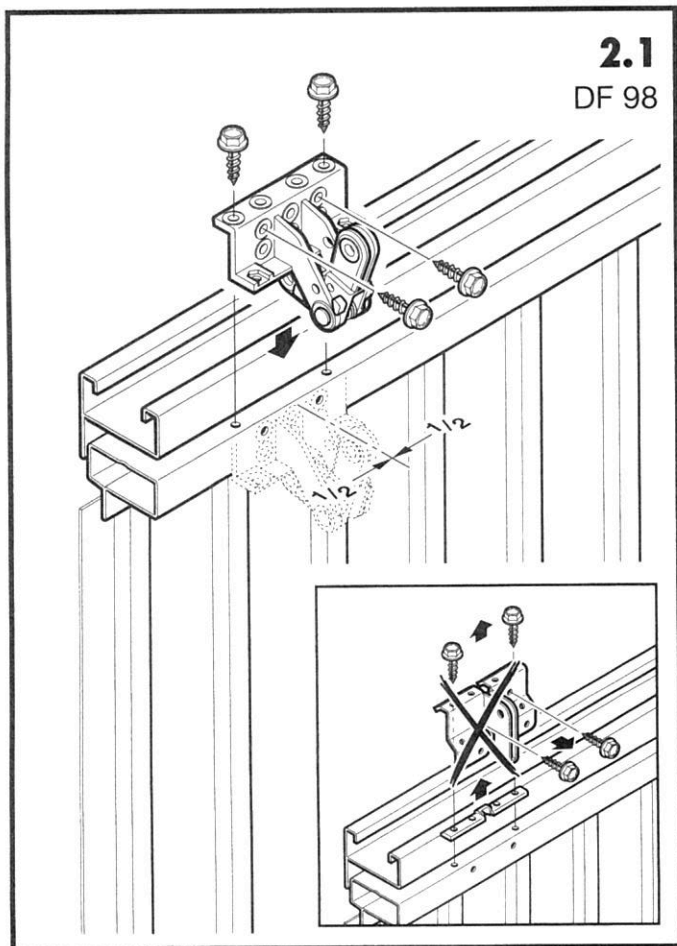
34

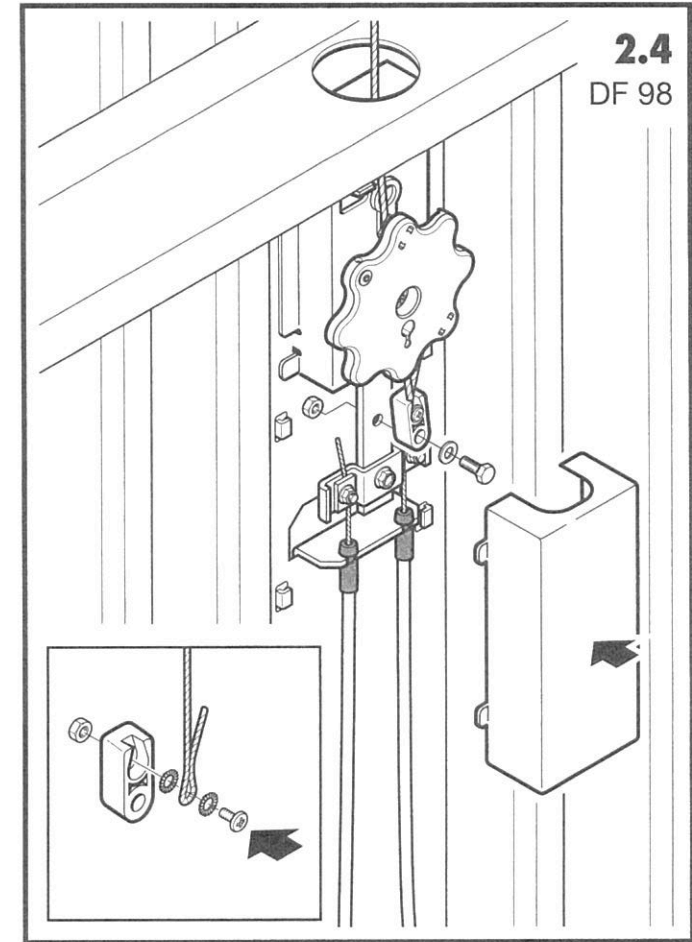
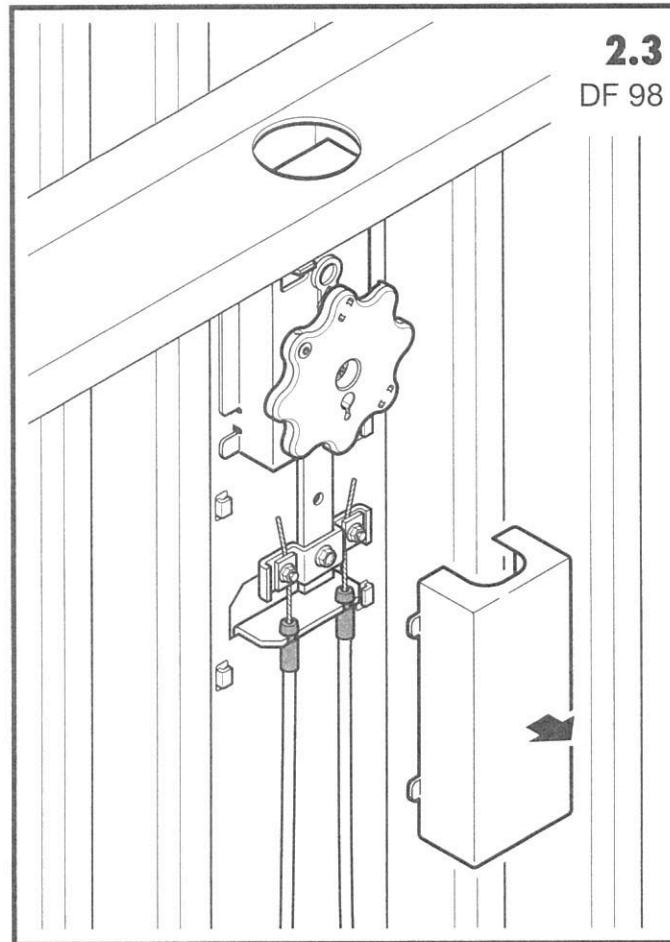
12.2006 TR30A017-A RE











38

12.2006 TR30A017-A RE

