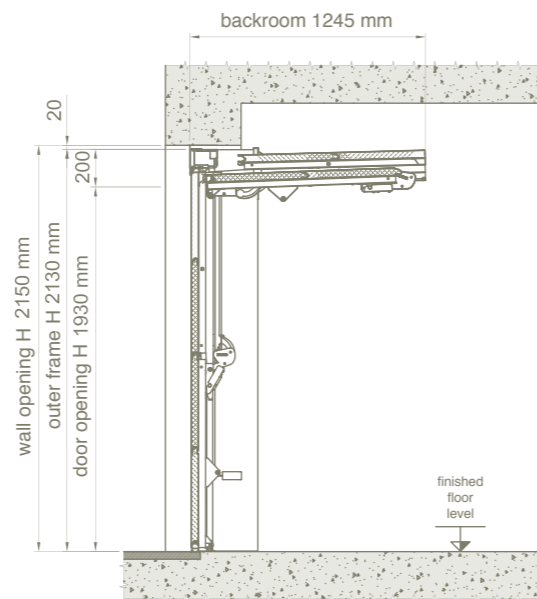
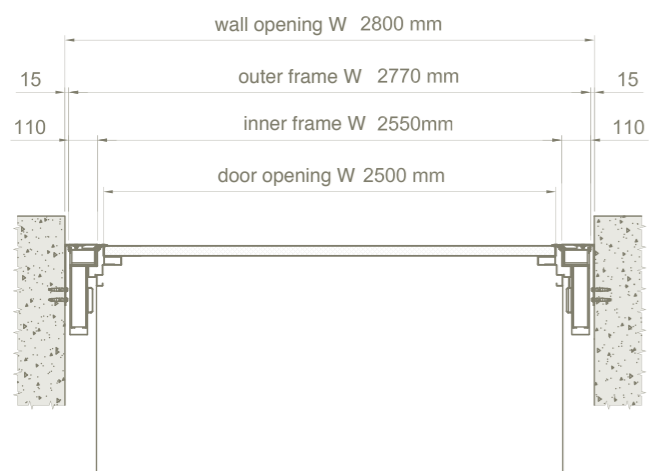


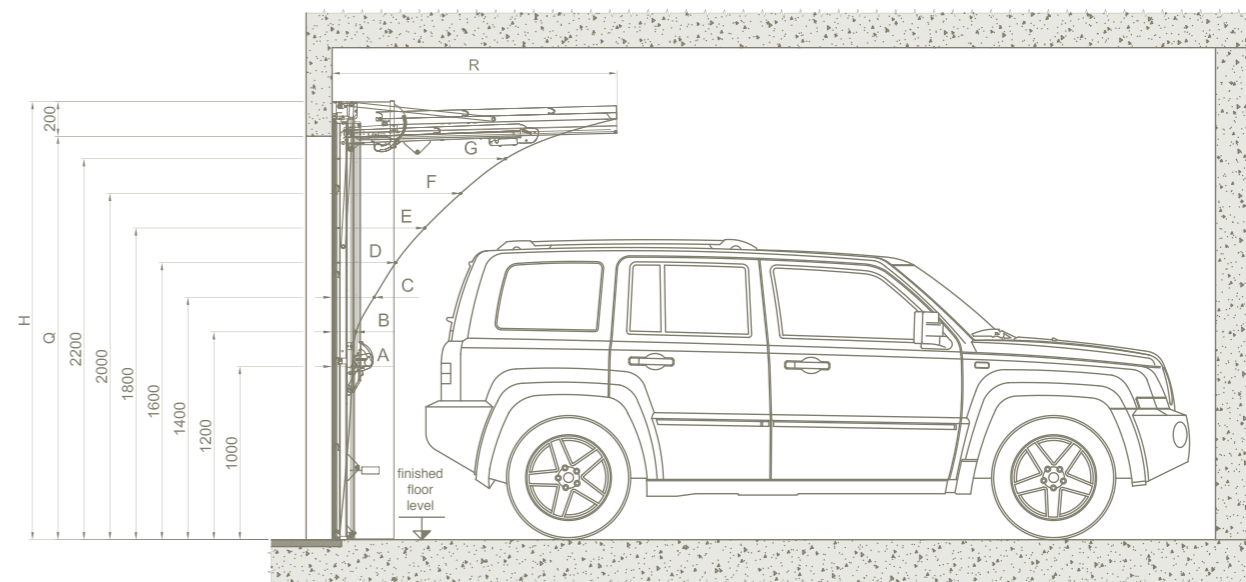
TECH SPECS

INSTALLATION TYPE BETWEEN WALL INSTALLATION

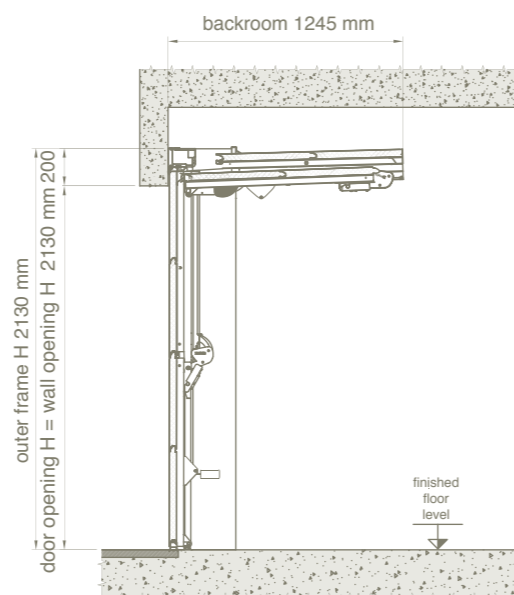


DOOR CLEARANCE

measures in mm



INSTALLATION TYPE BEHIND WALL INSTALLATION



Over all frame	Door opening	Finished floor level							
		A	B	C	D	E	F	G	R
2130	1930	127	158	277	445	674	/	/	1245
2180	1980	126	154	272	435	653	/	/	1295
2230	2030	125	151	268	426	632	/	/	1345
2280	2080	123	147	263	416	610	/	/	1395
2330	2130	122	143	258	406	589	827	/	1445
2380	2180	121	142	254	396	576	741	/	1495
2430	2230	120	141	251	387	562	706	/	1545
2480	2280	118	139	247	377	549	670	/	1595
2530	2330	117	138	243	367	535	635	896	1645
2580	2380	131	148	170	278	412	603	847	1464
2630	2430	130	147	168	272	405	590	820	1515
2680	2480	129	146	166	267	399	577	793	1565
2730	2530	128	144	165	262	394	564	766	1614
2780	2580	127	143	163	257	388	551	739	1664
2830	2630	127	142	162	253	383	539	726	1714
2880	2680	126	141	160	249	377	527	714	1764
2930	2730	126	140	159	245	372	514	701	1814
2980	2780	125	139	157	241	366	502	688	1864